

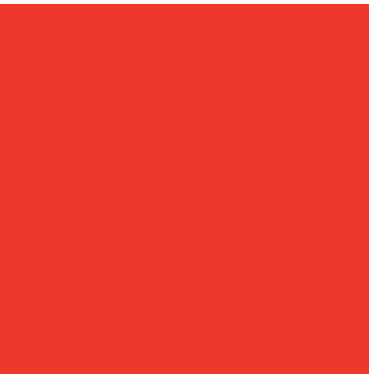
SKYTECH

CONTROL SYSTEMS



REMOTE SYSTEMS VALVE SYSTEMS & ACCESSORIES

FOR THE HEARTH INDUSTRY



PRODUCT CATALOG

VOLUME 4

TABLE OF CONTENTS



Remote Systems

Smart Home Compatible	8
On / Off	10
Thermostat	12
Programmable	14
Solenoid & DC Motor Control	15
Wireless Wall Mount	16
Wired Wall Mount	16
Accessories	17
Private Labeling	17



Valve Systems

AF-LMF Series	22
AFVK-SP Series	24
E-Stop Gas Timer	26



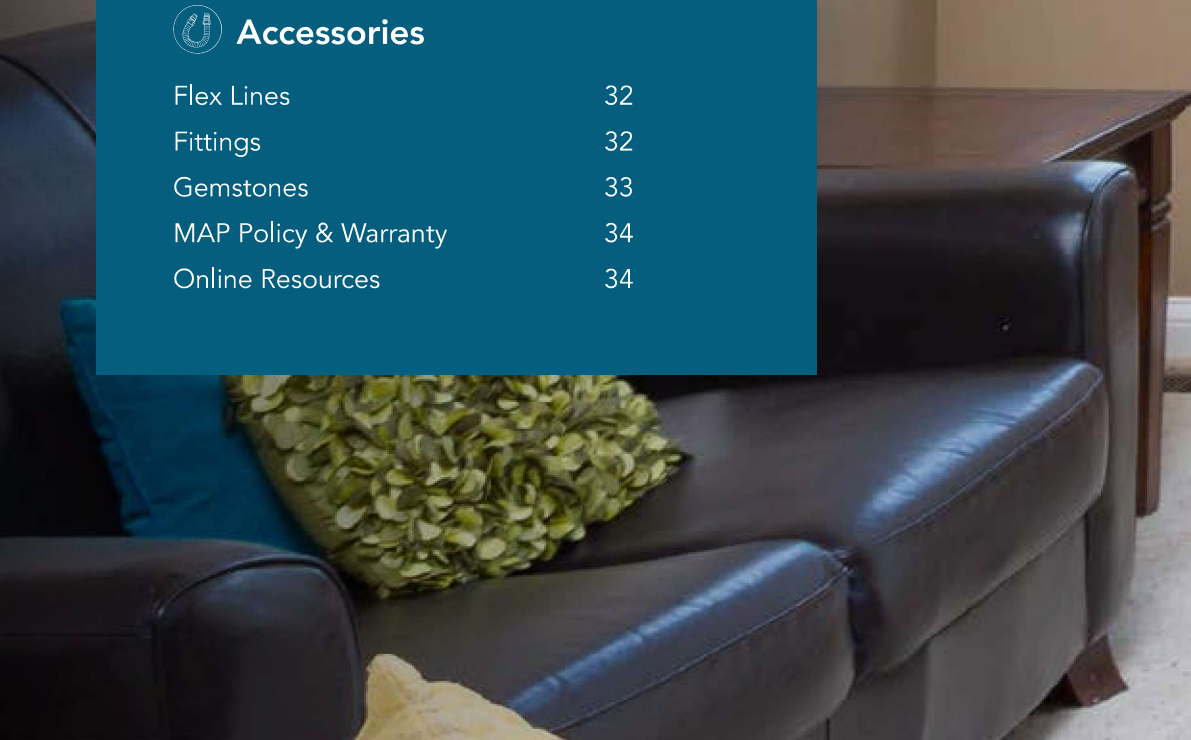
Universal Fan Systems

F-180	30
F-160	30
Accessories	31



Accessories

Flex Lines	32
Fittings	32
Gemstones	33
MAP Policy & Warranty	34
Online Resources	34



WE HAVE IT ALL

Skytech has been a recognized leader in fireplace remote systems for more than 25 years and is synonymous with bold innovations, rock solid reliability and unrivaled customer support. That's why, when the hearth industry needs something done right the first time, they look no further than the experts at Skytech.





REMOTE SYSTEMS

Smart Home Compatible

On / Off

Thermostat

Programmable

Solenoid & DC Motor Control

Wireless Wall Mount

Wired Wall Mount

Accessories

Private Labeling







REMOTE SYSTEMS

How They Work

If you replace your existing fireplace wall switch with our receiver combined with our uniquely designed wall plate, you will connect your existing low voltage wires to the receiver.



If you ever need any help or have any questions, we are available by phone Monday through Friday.

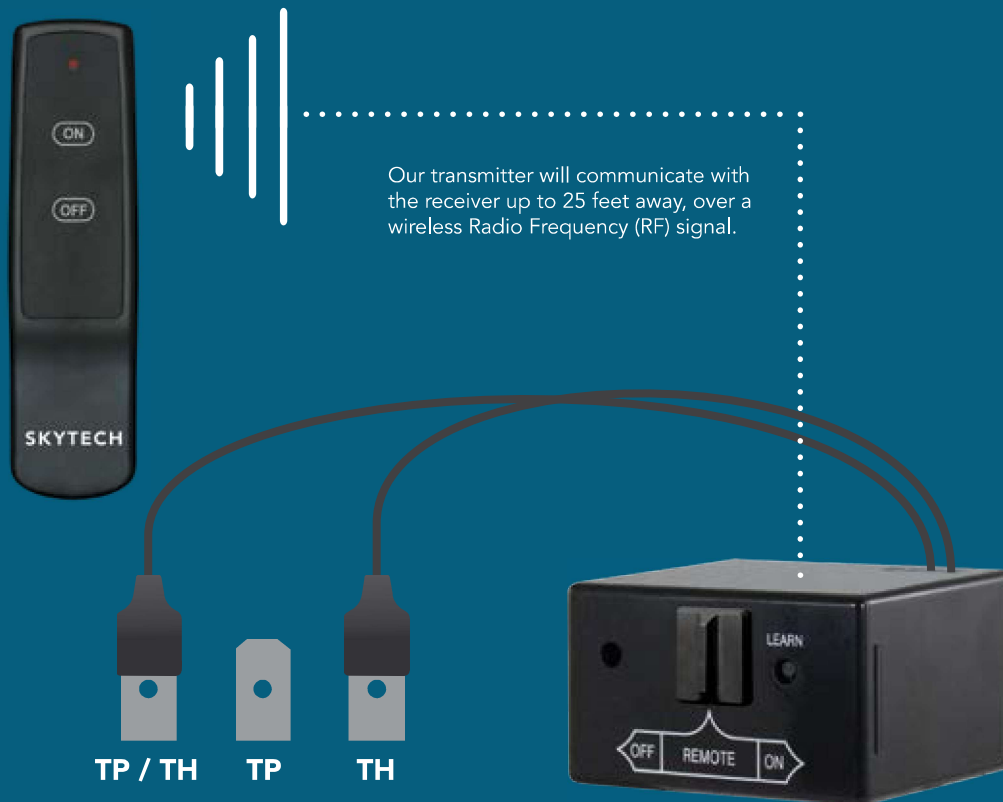
Support: 855.498.8324



In most fireplaces, the components that you need to connect to are in a space located underneath the firebox and behind the louver. You can either place the receiver underneath the firebox or at your existing wall switch location.



Transmission & Installing the Receiver



Our transmitter will communicate with the receiver up to 25 feet away, over a wireless Radio Frequency (RF) signal.

Underneath the fireplace, you will find a valve that will have these three terminals on it: TP/TH, TP, and TH. The receiver wires will connect to the TP/TH and the TH terminals.

For IPI Systems, connect the receiver wires to the on/off switch wires.

Battery / 110 Volt Receiver Comparison



BATTERY RECEIVER

Operates on 4-AA batteries. Able to place your receiver in any location away from an outlet.



110VAC RECEIVER

All the same functionality as the battery powered receiver. No need to replace batteries.



SMART HOME COMPATIBLE

On / Off Remote Control for your Fireplace



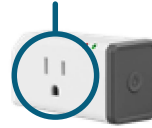
8001

Smart Home Compatible REMOTE SYSTEM

Compatible with:

ANY SMART PLUG

All 110VAC Smart Plugs



All USB Type-A Smart Plugs

We simply use the smart plug to provide or remove power.
Turn the smart plug on and the fireplace turns on, turn the smart plug off and the fireplace turns off.



8001

The 8001 Remote System is designed to be installed on a gas log set that does not currently have a remote system, or is replacing a remote system.

Smart plug compatible transmitter - RF

All battery operated receiver - RF

110VAC approved power adapter

Compatible with all smart plugs & smart home systems

BOX INCLUDES: Transmitter, Receiver, Adapter, Wall Mount, Wall Plate, Batteries, Hardware Bag, Instructions (smart plug not included)



8001-TX

Our new 8001-TX is to be used as an addition to an already existing Skytech Remote System. You can view the [Backwards Compatibility](#) chart on Page 9.

Smart plug compatible transmitter - RF

110VAC approved power adapter

Compatible with all smart plugs & smart home systems

BOX INCLUDES: Transmitter, Adapter, Instructions (smart plug not included)



Why do we not include a Smart Plug?

It's possible for Skytech to include a Smart Plug, but that would force the 8001 to become dependent on whatever Smart Home System that particular Smart Plug works with. By not including a Smart Plug, we allow customers to use their existing Smart Home System that has a Smart Plug they already know & use.

Which Smart Plug works best with the 8001?

That's the beauty of this system... it doesn't matter! All a Smart Plug does is tell something to turn on or off (power or no power). We simply use that function to turn the fireplace on or off.



8001-TX



BACKWARDS COMPATIBILITY

The 8001-TX was designed to be compatible with several of our most popular remote control systems. You can add the 8001-TX to any of the compatible systems by simply going through the standard LEARN process just like any other Skytech remote system. You do not have to replace the transmitter that came with your original system, both the original remote and the new 8001-TX can work together on the same system.



STAND-ALONE REMOTE SYSTEMS

Some of our most popular Remote Control Systems



1001-A
pg. 10



1001T-LCD-A
pg. 11



1420-A
pg. 10



1420T-LCD-A
pg. 11



CON
pg. 15



TM-R-2A
pg. 16



1001D-A
pg. 11 & 16



VALVE KIT SPECIFIC REMOTE SYSTEMS

Remote systems that are bundled with Valve Kits or sold as Valve Kit Upgrades or Accessories.



AF-LMF-R

An upgraded version of the AF-LMF (AF-LMF + RCAF-LMF)
pg. 23



RCAF-LMF

Upgrade Kit for the AF-LMF
pg. 22



RCAF-LMF-WWS

Accessory for the AF-LMF
pg. 22



ON / OFF

Remote Systems

WARRANTY | 5 Year limited warranty on all remote systems



8001

Smart plug compatible transmitter - RF
All battery operated receiver - RF
110VAC approved power adapter
Compatible with all smart plugs & smart home systems

BOX INCLUDES: Transmitter, Receiver, Adapter, Wall Mount, Wall Plate, Batteries, Hardware Bag, Instructions (smart plug not included)



8001-TX

Smart plug compatible transmitter - RF
110VAC approved power adapter
Compatible with all smart plugs & smart home systems
BOX INCLUDES: Transmitter, Adapter, Instructions (smart plug not included)



1001-A

All battery operated transmitter & receiver - RF
On/Off transmitter
65,536 security codes
All batteries and wall clip included
Receiver will learn up to two additional Skytech transmitters

BOX INCLUDES: Transmitter, Receiver, Wall Plate, Batteries, Hardware Bag, Wall Clip, Instructions



1420-A

Battery operated transmitter - RF
110VAC plug-in receiver
ON/OFF transmitter
65,536 security codes
110VAC receiver, slide switch ON/REMOTE/OFF to manually operate the appliance
Receiver will learn up to two additional Skytech transmitters

BOX INCLUDES: Transmitter, Receiver, Batteries, Hardware Bag, Wall Clip, Instructions



1001T-LCD-A

All battery operated transmitter & receiver - RF
 ON/OFF transmitter
 LCD display room temperature in °F or °C,
 3-hour countdown timer
 Flame indicator & low battery indicator
 65,536 security codes
 Child safety lock out
 Receiver will learn up to two additional Skytech transmitters

BOX INCLUDES: Transmitter, Receiver, Wall Plate, Batteries, Hardware Bag, Wall Clip, Instructions



1420TLCD-A

Battery operated transmitter - RF
 110VAC plug-in receiver
 ON/OFF transmitter
 LCD display room temperature in °F or °C, 3-hour
 countdown timer
 Flame indicator & low battery indicator
 Child safety lock out
 65,536 security codes
 110VAC receiver, slide switch to manually operate the
 appliance
 Receiver will learn up to two additional Skytech transmitters

BOX INCLUDES: Transmitter, Receiver, Batteries, Hardware Bag, Wall Clip, Instructions



1001D-A

All battery operated transmitter & receiver - RF
 Wireless wall switch, surface mount
 65,536 security codes
 Receiver will learn up to two additional Skytech transmitters

BOX INCLUDES: Transmitter, Receiver, Wall Plate, Batteries, Hardware Bag, Instructions



WS

Wired wall switch
 Decorative rocker-style wall switch and cover
 plate
 UL listed switch
 20 feet of 18-2 low-voltage wire included

BOX INCLUDES: Switch, Wall Plate, 20' wire, Hardware Bag, Instructions



7015

1800 watt capacity
 Simple push-button On / Off operation
 Single click for ON, double click for OFF
 All battery operated transmitter & plug-in
 receiver - RF
 10,000,000 security codes
 Receiver will learn up to two additional Skytech transmitters

BOX INCLUDES: Transmitter, Receiver, Batteries, Hardware Bag, Instructions



THERMOSTAT

Remote Systems

WARRANTY | 5 Year limited warranty on all remote systems



5301

- All battery operated transmitter & receiver - RF
- 1,048,576 security codes
- Touchscreen transmitter
- Backlit LCD screen
- Thermostatic control
- Flame indicator
- Low battery indicator
- 9-hour countdown timer
- Child safety lock out
- Wall mount docking station

BOX INCLUDES: Transmitter, Receiver, Wall Plate, Batteries, Hardware Bag, Wall Mount, Instructions



5320

- Battery operated transmitter - RF
- 110VAC plug-in receiver
- 1,048,576 security codes
- Touchscreen transmitter
- Backlit LCD screen
- Thermostatic control
- Flame indicator
- Low battery indicator
- 9-hour countdown timer
- Child safety lock out
- Wall mount docking station

BOX INCLUDES: Transmitter, Receiver, Wall Mount, Batteries, Hardware Bag, Instructions



3301

- All Battery operated transmitter & receiver - RF
- 1,048,576 security codes
- LCD displays both room and thermostat set temperature in °F or °C
- Thermostatic control
- 9-hour countdown timer and 24-hour clock
- Flame indicator & low battery indicator
- Child safety lock out
- Swing temperature (adjustable 1 - 3 degrees)

BOX INCLUDES: Transmitter, Receiver, Wall Mount, Wall Plate, Batteries, Hardware Bag, Instructions



1001TH-A

- All battery operated transmitter & receiver - RF
- 4-button ON/OFF/MODE/SET transmitter
- LCD display room and thermostat temperature in °F or °C
- Flame indicator & low battery indicator
- 65,536 security codes
- Receiver will learn up to two additional Skytech transmitters

BOX INCLUDES: Transmitter, Receiver, Wall Plate, Batteries, Hardware Bag, Wall Clip, Instructions



1420TH-A

- Battery operated transmitter - RF
- 110VAC plug-in receiver with ON/OFF transmitter
- LCD display room and thermostat temperature in °F or °C
- Flame indicator & low battery indicator
- 65,536 security codes
- Child safety lock out
- 110VAC receiver, slide switch ON/REMOTE/OFF to manually operate the appliance
- Receiver will learn up to two additional Skytech transmitters

BOX INCLUDES: Transmitter, Receiver, Hardware Bag, Wall Clip, Instructions



3002

- All battery operated transmitter & receiver - RF
- 1,048,576 security codes
- LCD displays both room and set temperature in °F or °C
- Thermostatic control
- 9-hour countdown timer
- 24-hour clock
- Flame indicator
- Low battery indicator
- Child safety lock out
- Swing temperature (adjustable 1 - 3 degrees)

BOX INCLUDES: Transmitter, Receiver, Wall Plate, Batteries, Hardware Bag, Instructions



SMART-BATT

- On / Off / Thermostat remote
- All battery operated
- Backlit LCD
- All batteries included
- 9-Hour countdown timer
- 1,048,576 security codes
- Child safety lockout
- Auto safety shutdown (9 hours)
- Low battery indicator
- Wall mount bracket included
- Limited lifetime 5 year warranty

BOX INCLUDES: Transmitter, Receiver, Hardware Bag, Wall Clip, Instructions



SMART-STAT

- On / Off / Thermostat remote
- 110 volt receiver
- Backlit LCD
- All batteries included
- 9-Hour countdown timer
- 1,048,576 security codes
- Child safety lockout
- Auto safety shutdown (9 hours)
- Low battery indicator
- Wall mount bracket included
- Limited lifetime 5 year warranty

BOX INCLUDES: Transmitter, Receiver, Batteries, Hardware Bag, Wall Clip, Instructions



TS-R-2A

- All Battery operated transmitter & receiver - RF
- Wireless thermostat or manual ON/SET/OFF operation
- Large LCD screen displays room and set temperature in °F or °C
- 1,048,576 security codes
- Flame indicator

BOX INCLUDES: Transmitter, Receiver, Wall Plate, Batteries, Hardware Bag, Instructions



TS-3

- Wired thermostat or manual ON/SET/OFF operation surface mount
- Large LCD screen to display room and set temperature in °F or °C
- 1,048,576 security codes
- Flame indicator

BOX INCLUDES: Transmitter, Batteries, Hardware Bag, Instructions



PROGRAMMABLE

Remote Systems

WARRANTY | 5 Year limited warranty on all remote systems



5301P

- All battery operated transmitter & receiver - RF
- 1,048,576 security codes
- Touchscreen transmitter
- Backlit LCD screen
- Child safety lock out
- Thermostatic control
- Flame indicator
- Low battery indicator
- Programmable (Weekday/Weekend) (5/2)
- Wall mount docking station

BOX INCLUDES: Transmitter, Receiver, Wall Plate, Batteries, Hardware Bag, Wall Mount, Instructions



5320P

- Battery operated transmitter - RF
- 110VAC plug-in receiver
- 1,048,576 security codes
- Touchscreen transmitter
- Backlit LCD screen
- Child safety lock out
- Thermostatic control
- Flame indicator
- Low battery indicator
- Programmable (Weekday/Weekend) (5/2)
- Wall mount docking station

BOX INCLUDES: Transmitter, Receiver, Wall Mount, Batteries, Hardware Bag, Instructions



3301P2

- All battery operated transmitter & receiver - RF
- 1,048,576 security codes
- Backlit LCD screen
- Thermostatic control
- Flame indicator
- Low battery indicator
- Child safety lock out
- Programmable (Weekday/Weekend) (5/2)
- Swing temperature (adjustable 1 - 3 degrees)

BOX INCLUDES: Transmitter, Receiver, Wall Mount, Wall Plate, Batteries, Hardware Bag, Instructions



3003P

- All battery operated transmitter & receiver - RF
- 1,048,576 security codes
- LCD displays both room and set temperature in °F or °C
- Thermostatic control
- 9-hour countdown timer
- 24-hour clock
- Flame indicator
- Low battery indicator
- Child safety lock out
- Swing temperature (adjustable 1 - 3 degrees)
- Programmable thermostat setting, 7 days / 4 periods within one day

BOX INCLUDES: Transmitter, Receiver, Wall Plate, Batteries, Hardware Bag, Instructions



SOLENOID & DC MOTOR CONTROL

Remote Systems

WARRANTY | 5 Year limited warranty on all remote systems



CON

All Battery operated transmitter & receiver - RF
ON/OFF transmitter

Single function control for operating latching solenoid gas valve systems

65,536 security codes

BOX INCLUDES: Transmitter, Receiver, Receiver Shield, Batteries, Hardware Bag, Wall Clip, Instructions



MRCK

All battery operated transmitter & receiver - RF
Infinite flame adjustment from remote control

65,536 security codes

Single function control for operating the servo motor valve system

BOX INCLUDES: Transmitter, Receiver, Receiver Shield, Batteries, Hardware Bag, Wall Clip, Instructions



CON-TH

All battery operated transmitter & receiver - RF
255 security codes

LCD display for room and set temperature in °F or °C

ON/OFF control

Flame indicator

Low battery indicator

Child safety lock out

Thermostat control for operating latching solenoid gas valve systems

BOX INCLUDES: Transmitter, Receiver, Receiver Shield, Batteries, Hardware Bag, Wall Clip, Instructions



MRCK-TH

All battery operated transmitter & receiver - RF
65,536 security codes

LCD display for room and set temperature in °F or °C

Flame indicator

Low battery indicator

Child safety lock out

Thermostat control for operating the servo motor valve system

BOX INCLUDES: Transmitter, Receiver, Receiver Shield, Batteries, Hardware Bag, Wall Clip, Instructions



RCT-MLT

On / Off / Thermostat multi-function remote control
1,048,576 security codes

Flame modulation (high / medium / low)

Fan speed control (high / medium / low & off)

Includes solenoid for flame modulation

9-Hour countdown timer with child safety lockout

Auto safety shutdown (9 hours)

All batteries included

Low battery indicator

Wall mount bracket included

Limited lifetime 5 year warranty

For use with Dexen millivolt gas valves

BOX INCLUDES: Transmitter, Receiver, Solenoid, Batteries, Hardware Bag, Wall Clip, Instructions



WIRELESS WALL MOUNT

Remote Systems

WARRANTY | 5 Year limited warranty on all remote systems



TS-R-2A

Wireless thermostat or manual ON/SET/OFF operation
 All Battery operated transmitter & receiver - RF
 Large LCD screen displays room and set temperature in °F or °C
 1,048,576 security codes
 Flame indicator
BOX INCLUDES: Transmitter, Receiver, Wall Plate, Batteries, Hardware Bag, Instructions



TM-R-2A

30 / 60 / 120 minute timer
 All battery operated transmitter & receiver - RF
 65,536 security codes
 Receiver will learn up to two additional Skytech ON/OFF transmitters
BOX INCLUDES: Transmitter, Receiver, Wall Plate, Batteries, Hardware Bag, Instructions



1001D-A

All battery operated transmitter & receiver - RF
 Wireless wall switch, surface mount
 65,536 security codes
 Receiver will learn up to two additional Skytech transmitters
BOX INCLUDES: Transmitter, Receiver, Wall Plate, Batteries, Hardware Bag, Instructions



WIRED WALL MOUNT

Remote Systems

WARRANTY | 5 Year limited warranty on all remote systems



TS-3

Wired thermostat or manual ON/SET/OFF operation surface mount
 Large LCD screen to display room and set temperature in °F or °C
 Flame indicator
BOX INCLUDES: Transmitter, Batteries, Hardware Bag, Instructions



TM-3

Wired 30 / 60 / 120 minute timer
 Battery operated wired transmitter
BOX INCLUDES: Transmitter, Batteries, Hardware Bag, Instructions



WS

Wired wall switch
 Decorative rocker-style wall switch and cover plate
 UL listed switch
 20 feet of 18-2 low-voltage wire included
BOX INCLUDES: Transmitter, Hardware Bag, Wire, Instructions

Accessories for Remote Receivers



RS-1

Metal receiver shield
Insulated to protect from heat



RS-1A

Copolymer Tepcon material receiver cover
High temperature material



RS-2

Log-style receiver cover
Solid refractory construction

⚠ WARNING! | CALIFORNIA PROPOSITION 65
This product can expose you to Titanium Dioxide and Lithium Carbonate, which is known to the state of California to cause cancer and birth defects or other reproductive harm. (For more information, go to www.p65warnings.ca.gov)

Private Labeling



CUSTOM BRANDING

All you need to do is provide us with your logo and we will make it fit on any remote you choose.
Logo size is limited. Larger logos may not fit on these remotes.

SEE PRICE SHEET FOR DETAILS



VALVE SYSTEMS

AF-LMF Series

AFVK-SP Series

E-Stop Gas Timer

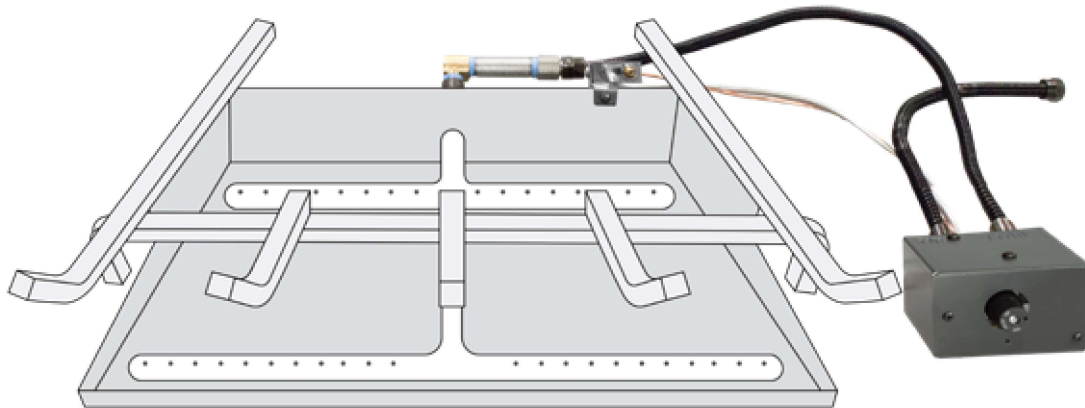






VALVE SYSTEMS

Types of Valve Systems



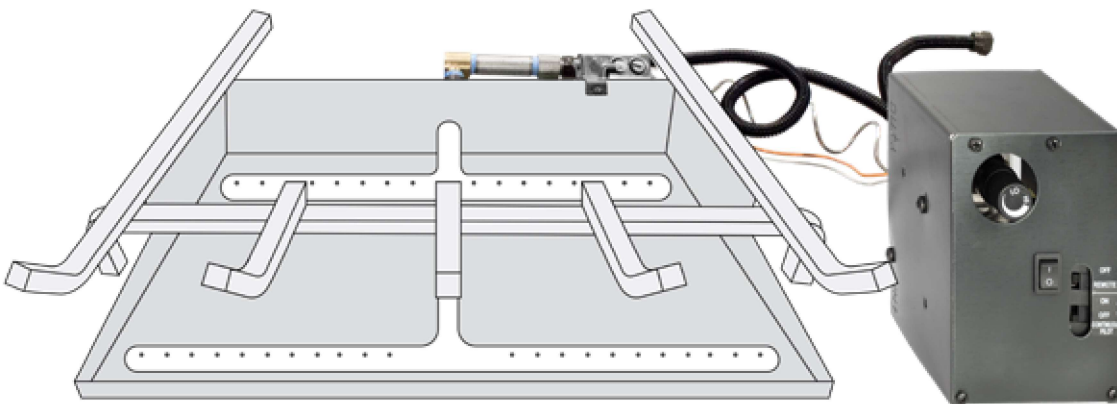
AF-LMF SERIES

Standing pilot system

Small, compact and less noticeable inside the fireplace

Able to place a larger log set inside the fireplace because of the size

Available as manual control or upgrade to a hand-held battery operated remote

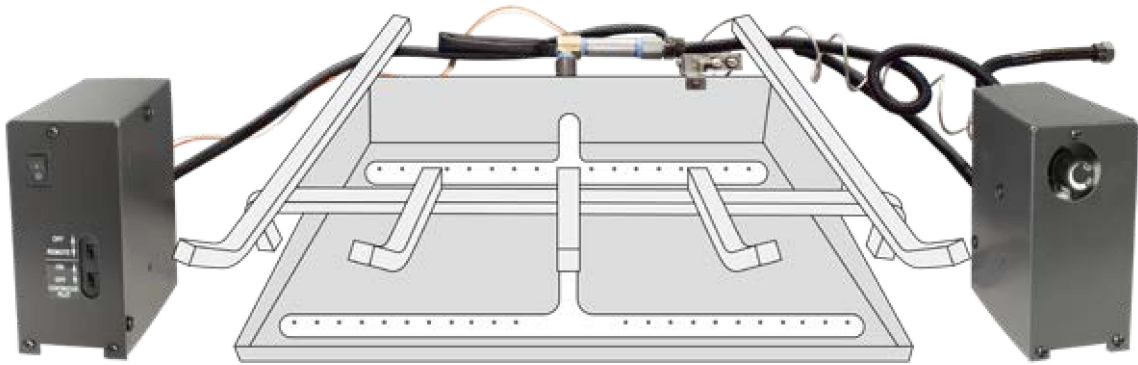


AFVK-SP SERIES

Electronic spark-to-pilot ignition

Hand-held remote control

Battery operated



AFVK SPLIT SERIES

Electronic spark-to-pilot ignition

Able to maximize the width of your log set by keeping it centered within the fireplace

Hand-held remote control

Battery operated

If you ever need any help or have any questions, we are available by phone Monday through Friday.

Support: 855.498.8324





AF-LMF SERIES

Valve System

Standing safety pilot valve kits. To be used with indoor vented gas fireplace burners

WARRANTY

1 Year limited warranty on all valve systems. Any remote included has a 5 year limited warranty.

The AF-LMF Series is a Standing Safety Pilot Valve Kit

This AF-LMF is the base model, but you are able to upgrade the AF-LMF to suit your personal needs with our convenient **UPGRADE KITS**. You can either purchase the different packages that we offer in this catalog, or you can buy them individually. It's completely up to you how you want to customize your valve kit.

⚠️ WARNING! | CALIFORNIA PROPOSITION 65

This product can expose you to Lead, which is known to the state of California to cause cancer and birth defects or other reproductive harm. (For more information, go to www.p65warnings.ca.gov)



AF-LMF Manual On/Off

30-Millivolt manual safety pilot kit measuring 3-3/4 inch W x 4 inch D x 2-3/4 inch H

225°F rated valve

Designed specifically for use with vented gas logs

Exclusive safety seal within the gas valve

Quick mount pilot assembly

Damper clamp included

Propane conversion kits available

Easy upgrade to remote operation

BOX INCLUDES: Valve Kit, Flex Line, Damper Clamp, 3/8" to 1/2" Flare Adapter, Instructions

Upgrade Kits for the AF-LMF



RCAF-LMF

ON/OFF remote control for AF-LMF series gas valve kits

Includes solenoid, batteries, wire kit & receiver shield

255 security codes

BOX INCLUDES: Transmitter, Receiver, Wall Clip, Solenoid, Hardware bag, Batteries, Instructions



RCAF-LMF-V

Variable flame adjustment remote control for AF-LMF series gas valve kits

Includes variable flame motor drive, batteries, wire kit & receiver shield

255 security codes

BOX INCLUDES: Transmitter, Receiver, Wall Clip, Motor Drive, Extension Knob, Hardware bag, Batteries, Instructions

Accessories for the AF-LMF



RCAF-LMF-WWS

ON/OFF wireless wall switch for AF-LMF series gas valve kits

Included solenoid, batteries, wire kit & receiver shield

65,536 security codes

BOX INCLUDES: Transmitter, Receiver, Solenoid, Batteries, Hardware Bag, Instructions



TM-R-AF1TX

Wireless timer for use with AFVK-SP series gas valve kits

Includes 30/60/120/OFF wireless timer & batteries

65,536 security codes

BOX INCLUDES: Transmitter, Batteries, Hardware Bag, Instructions



2385-9P

Universal pilot assembly for most vented gas log sets

Mounting bracket standard

Includes 30 millivolt thermocouple

Includes aluminum pilot supply line

Optional high limit energy cutoff

Fully assembled ready to install

BOX INCLUDES: Pilot Assembly



LPK

Used to convert AF-LMF series valve kit from Natural Gas (NG) to Liquid Propane (LP).

Accommodates 18" to 24" models

BOX INCLUDES: Vermiculite, Elbow, Coupling, Orifices, Pilot Orifices



AF-LMF-R On/Off w/ Remote

30-Millivolt manual safety pilot kit measuring 3-3/4 inch W x 4 inch D x 2-3/4 inch H

225°F rated valve

Designed specifically for use with vented gas logs

ON/OFF remote control included (CON)

Exclusive safety seal within the gas valve

Quick mount pilot assembly

Damper clamp included

Propane conversion kits available



The AF-LMF-R consists of the following items



AF-LMF Base Model

+



RCAF-LMF Upgrade Kit



AF-LMF-RV Variable Flame w/ Remote

30-Millivolt manual safety pilot kit measuring 3-3/4 inch W x 4 inch D x 2-3/4 inch H

225°F rated valve

Designed specifically for use with vented gas logs

Variable flame remote control included (RCAF-1020-1)

Exclusive safety seal within the gas valve

Quick mount pilot assembly

Damper clamp included

Propane conversion kits available

The AF-LMF-RV consists of the following items



AF-LMF Base Model

+



RCAF-LMF-V Upgrade Kit



AF-LMF-RVS HIGH/MED/LOW w/ Remote

30-Millivolt manual safety pilot kit measuring 3-3/4 inch W x 4 inch D x 2-3/4 inch H

225°F rated valve

Designed specifically for use with vented gas logs

HIGH/MED/LOW remote control included (RCAF-1035)

Exclusive safety seal within the gas valve

Quick mount pilot assembly

Damper clamp included

Propane conversion kits available

Recommended for vented gas log sets over 70,000 BTUs (See AF-LMF-RV for log sets under 70,000 BTUs)

The **AF-LMF-RVS** is a standalone model and is not made up of individual parts.

BOX INCLUDES: Valve Kit, Receiver, Transmitter, Flex Line, Damper Clamp, 3/8" to 1/2" Flare Adapter, Wall Clip, Batteries, Hardware Bag, Instructions



AFVK-SP SERIES

Valve Systems

Electronic spark-to-pilot ignition valve kits. To be used with indoor vented gas fireplace burners

WARRANTY

1 Year limited warranty on all valve systems. Any remote included has a 5 year limited warranty.

On/Off with Remote



AFVK-SP

Spark to pilot valve kit measures 3-3/4 inch W x 5-1/2 inch D x 5-1/2 inch H

Manual flame adjustment

ON/OFF remote control included

Continuous pilot switch on valve box and remote control

Quick mount pilot assembly

Damper clamp included

Propane conversion kits are available

All battery operated

BOX INCLUDES: Valve Kit, Transmitter (SP1001TX), Flex Line, Damper Clamp, 3/8" to 1/2" Flare Adapter, Batteries, Instructions

Hi/Low with Remote



AFVK-SP-H-L

Spark to pilot valve kit measures 3-3/4 inch W x 5-1/2 inch D x 5-1/2 inch H

ON/OFF/HIGH/LOW remote control included

High or low flame adjustment from remote control

Continuous pilot switch on valve box and remote control

Quick mount pilot assembly

Damper clamp included

Propane conversion kits are available

All battery operated

BOX INCLUDES: Valve Kit, Transmitter (SP1001H-LTX), Flex Line, Damper Clamp, 3/8" to 1/2" Flare Adapter, Batteries, Instructions

Variable Flame with Remote



AFVK-SP-MH-L

Spark to pilot valve kit measures 3-3/4 inch W x 5-1/2 inch D x 5-1/2 inch H

ON/OFF/HIGH/LOW remote control included

Infinite flame adjustment from remote control

Continuous pilot switch on valve box and remote control

Quick mount pilot assembly

Damper clamp included

Propane conversion kits are available

All battery operated

BOX INCLUDES: Valve Kit, Transmitter (SP1001H-LTX), Flex Line, Damper Clamp, 3/8" to 1/2" Flare Adapter, Batteries, Instructions

On/Off with Remote



AFVK-SP-SPLIT

Spark to pilot valve kit measures 2-3/4 inch W x 5-3/4 inch D x 5-3/4 inch H

High temperature cable connecting to each box

Manual flame adjustment

ON/OFF remote control included

Continuous pilot switch on valve box and remote control

Quick mount pilot assembly

Damper clamp included

Propane conversion kits are available

All battery operated

BOX INCLUDES: Valve Kit, Transmitter (SP1001TX), Flex Line, Damper Clamp, 3/8" to 1/2" Flare Adapter, Batteries, Instructions

Hi/Low with Remote



AFVK-SP-HL-SPLIT

Spark to pilot valve kit measures 2-3/4 inch W x 5-3/4 inch D x 5-3/4 inch H

High temperature cable connecting each box

ON/OFF/HIGH/LOW remote control included

High or low flame adjustment from remote control

Continuous pilot switch on valve box and remote control

Quick mount pilot assembly

Damper clamp included

Propane conversion kits are available

All battery operated

BOX INCLUDES: Valve Kit, Transmitter (SP1001H-LTX), Flex Line, Damper Clamp, 3/8" to 1/2" Flare Adapter, Batteries, Instructions

Variable Flame with Remote



AFVK-SP-MH-L-SPLIT

Spark to pilot valve kit measures 2-3/4 inch W x 5-3/4 inch D x 5-3/4 inch H

High temperature cable connecting each box

ON/OFF/HIGH/LOW remote control included

Infinite flame adjustment from remote control

Continuous pilot switch on valve box and remote control

Quick mount pilot assembly

Damper clamp included

Propane conversion kits are available

All battery operated

BOX INCLUDES: Valve Kit, Transmitter (SP1001H-LTX), Flex Line, Damper Clamp, 3/8" to 1/2" Flare Adapter, Batteries, Instructions

Accessories for the AFVK-SP Series



1001D-AF1TX

Wireless wall switch transmitter for use with AFVK-SP series gas valve kits
Includes wireless ON/OFF switch & batteries
65,536 security codes
BOX INCLUDES: Transmitter, Batteries, Hardware Bag, Instructions



1322WT

Wireless Hi/Low transmitter
For use with all AFVK-SP-H-L, AFVK-SP-MH-L & Split Valve Kits
Includes Hi/Low wireless transmitter & batteries
65,536 security codes
BOX INCLUDES: Transmitter, Batteries, Hardware Bag, Instructions



TM-R-AF1TX

Wireless timer for use with AFVK-SP series gas valve kits
Includes 30/60/120/OFF wireless timer & batteries
65,536 security codes
BOX INCLUDES: Transmitter, Batteries, Hardware Bag, Instructions



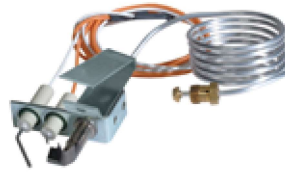
AF-4000ADP24-80

110VAC power source for AFVK-SP series gas valve kits
BOX INCLUDES: Power Adapter



AFVK-SP-PILOT60

Natural gas pilot assembly extension
Kit provides 60 inch wire leads and pilot tubing
For use with all Skytech spark to pilot systems
BOX INCLUDES: Pilot System



238577-13

18" pilot assembly for use on AFVK-SP series valve kits
BOX INCLUDES: Pilot System



LPK-18 / LPK-24

Used to convert AF-LMF series valve kit from Natural Gas (NG) to Liquid Propane (LP).
Accommodates 18" to 24" models
BOX INCLUDES: Vermiculite, Elbow, Coupling, Orifices, Pilot Orifices

⚠️ WARNING! | CALIFORNIA PROPOSITION 65
This product can expose you to Lead, which is known to the state of California to cause cancer and birth defects or other reproductive harm. (For more information, go to www.p65warnings.ca.gov)



E-STOP GAS TIMER

Mechanical Timer with Emergency Stop

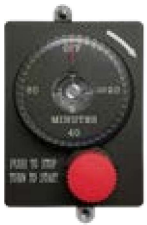


E-STOP GAS TIMER

Combination gas timer & emergency stop



U.S. Patent No. 10,520,108



ESTOP1-0H

Mechanical timer with manual emergency shut-off.
1 hour countdown timer.

Features

Unique all mechanical gas shut-off timer with built-in emergency stop - no power required
High BTU capacity
Safest gas timer available in the industry
Available in a 1 hour model

Innovative multi-port design provides installation flexibility
1/2" NPT inlets and outlets (side and back)
Six (6) mounting holes (2 front & 4 side) for secure installation
Natural gas (NG) or Liquid Propane (LP) - no conversion necessary

Specifications

Typical Maximum Capacity

Natural Gas: 290,000 BTU/hr
Liquid Propane Gas: 430,000 BTU/hr

CSA Rated Capacity at 1-INCH-H2O Pressure Drop

165,000 BTU/hr

Typical Maximum Capacity is based on:

Nominal pressure supplied to inlet of E-Stop Timer while appliances are in-operation

NG: 7.0-Inches-H2O

LP: 11.0-Inches-H2O

Minimum rated appliance inlet pressure

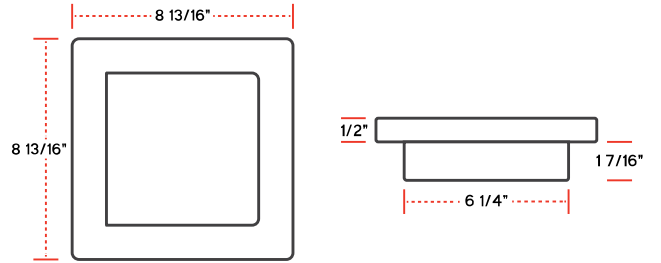
NG: 3.5-Inches-H2O

LP: 8.0-Inches-H2O

Enclosures E-STOP sold separately

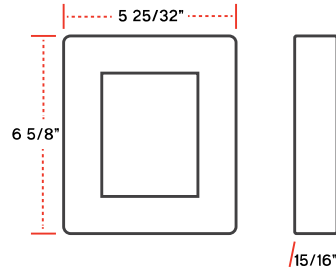
ESTOP-LC-KIT

Locking cabinet. Constructed of 304 stainless steel. Removable lock.



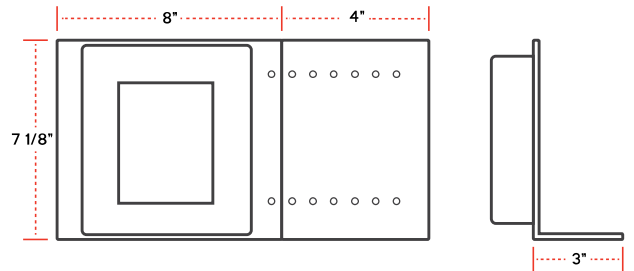
ESTOP-RM-KIT

Surface mount for the E-Stop. Constructed of 304 stainless steel.

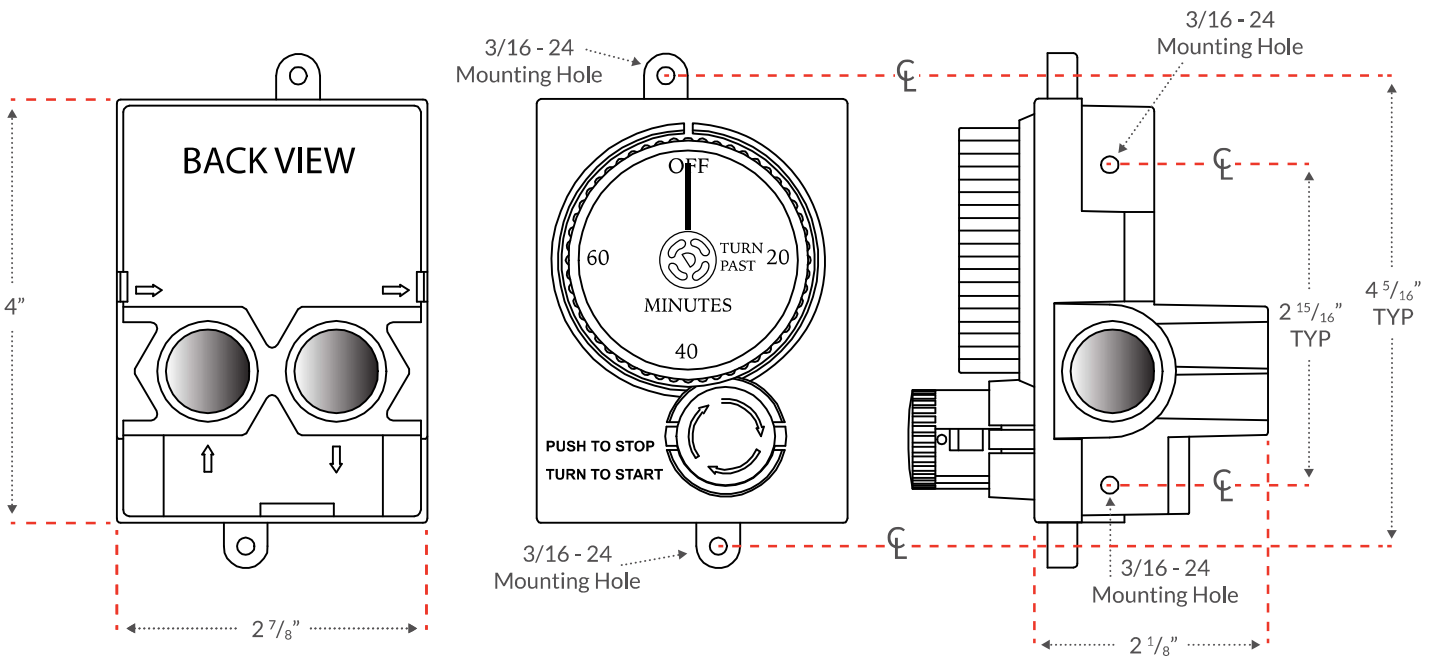


ESTOP-CP-KIT

Designed for use with architectural block & pavers. Expands from 8" to 12" wide to accommodate various block sizes.



Mounting Diagram





UNIVERSAL FAN KITS

F-180

F-160

Accessories







UNIVERSAL FAN SYSTEMS

Universal Fan Kit System

WARRANTY | 2 Year Limited Warranty on all fan kits



Dimensions: 12-3/4 inch Length x 4-3/8 inch High x 4-5/16 inch Deep

F-180-1

- Sealed ball bearing construction
- Quiet operation
- Increased CFM provides more air movement
- Heavy duty quality construction
- Dual fan blades
- Magnetic quick mount installation
- Power cord included
- Anti-vibration magnetic mounting strips
- ETL certified to CSA C22.2 & UL-1004



Dimensions: 12-3/4 inch Length x 4 inch High x 3-1/2 inch Deep

F-165-1

- Low profile compact design fits most fireplaces
- Sealed ball bearing construction
- Quiet Operation
- Increased CFM provides more air movement
- Heavy duty quality construction
- Single cross flow fan blades
- Magnetic quick mount installation
- Power cord included
- Anti-vibration magnetic mounting strips
- ETL certified to CSA C22.2 & UL-1004



FK-180-ESC

- Sealed ball bearing construction
- Quiet operation
- Increased CFM provides more air movement
- Heavy duty quality construction
- Dual fan blades
- Magnetic quick mount installation
- Anti-vibration magnetic mounting strips
- ETL certified to CSA C22.2 & UL-1004
- Includes FK-ESC fan control



FK-165-ESC

- Low profile compact design fits most fireplaces
- Sealed ball bearing construction
- Quiet Operation
- Increased CFM provides more air movement
- Heavy duty quality construction
- Single cross flow fan blades
- Magnetic quick mount installation
- Anti-vibration magnetic mounting strips
- ETL certified to CSA C22.2 & UL-1004
- Includes FK-ESC fan control



FK-180-RT

- Sealed ball bearing construction
- Quiet operation
- Increased CFM provides more air movement
- Heavy duty quality construction
- Dual fan blades
- Magnetic quick mount installation
- Anti-vibration magnetic mounting strips
- ETL certified to CSA C22.2 & UL-1004
- Includes Rheostat control and temperature sensor



FK-165-RT

- Low profile compact design fits most fireplaces
- Sealed ball bearing construction
- Quiet Operation
- Increased CFM provides more air movement
- Heavy duty quality construction
- Single cross flow fan blades
- Magnetic quick mount installation
- Anti-vibration magnetic mounting strips
- ETL certified to CSA C22.2 & UL-1004
- Includes Rheostat control temperature sensor

Accessories for the Universal Fan Kits



FK-SPCONTROL

Rheostat variable fan speed control



FK-ESC

Multiple levels of fan speed control
 Built in timer to activate fan
 200 watt universal fan capacity
 Two year warranty



FK-SENSOR

Temperature sensor



FK-RTKIT

Rheostat variable fan speed control
 Temperature sensor with wiring
 One year warranty



ACF-10

10 inch female cord



ACM-36

36 inch male cord



ACCESSORIES

Flex Lines

Most popular sellers are shown
See our price list for our full offering of flex lines

T100 SERIES TRANQUILINE FLEX CONNECTOR



MODEL	DESCRIPTION
T100-9898-10	3/8" OD (1/4" ID) x 10", with 3/8" OD flare nuts
T100-9898-16	3/8" OD (1/4" ID) x 16", with 3/8" OD flare nuts
T100-9898-22	3/8" OD (1/4" ID) x 22", with 3/8" OD flare nuts
T100-9898-28	3/8" OD (1/4" ID) x 28", with 3/8" OD flare nuts
T100-9898-34	3/8" OD (1/4" ID) x 34", with 3/8" OD flare nuts

T102 SERIES TRANQUILINE FLEX CONNECTOR



MODEL	DESCRIPTION
T102-9898-10	3/8" OD (1/4" ID) x 10", with 3/8" OD flare nuts
T102-9898-16	3/8" OD (1/4" ID) x 16", with 3/8" OD flare nuts
T102-9898-22	3/8" OD (1/4" ID) x 22", with 3/8" OD flare nuts
T102-9898-28	3/8" OD (1/4" ID) x 28", with 3/8" OD flare nuts
T102-9898-34	3/8" OD (1/4" ID) x 34", with 3/8" OD flare nuts

T200 SERIES TRANQUILINE FLEX CONNECTOR



MODEL	DESCRIPTION
T200-9898-10	1/2" OD (3/8" ID) x 10", with 1/2" OD flare nuts
T200-9898-16	1/2" OD (3/8" ID) x 16", with 1/2" OD flare nuts
T200-9898-22	1/2" OD (3/8" ID) x 22", with 1/2" OD flare nuts
T200-9898-28	1/2" OD (3/8" ID) x 28", with 1/2" OD flare nuts
T200-9898-34	1/2" OD (3/8" ID) x 34", with 1/2" OD flare nuts

T202 SERIES TRANQUILINE FLEX CONNECTOR



MODEL	DESCRIPTION
T202-9898-10	1/2" OD (3/8" ID) x 10", with 1/2" OD flare nuts
T202-9898-16	1/2" OD (3/8" ID) x 16", with 1/2" OD flare nuts
T202-9898-22	1/2" OD (3/8" ID) x 22", with 1/2" OD flare nuts
T202-9898-28	1/2" OD (3/8" ID) x 28", with 1/2" OD flare nuts
T202-9898-34	1/2" OD (3/8" ID) x 34", with 1/2" OD flare nuts

Fittings

Most popular sellers are shown
See our price list for our full offering of flex lines



U1-6C-S
3/8" OD FLARE X 3/8" MIP
(TAPPED 1/8" FIP)



U1-6D-S
3/8" OD FLARE X 1/2" MIP
(TAPPED 3/8" FIP)



U3-6C-S
3/8" OD FLARE X 3/8" FIP



U3-6D-S
3/8" OD FLARE X 1/2" FIP



U1-8C-S
1/2" OD FLARE X 3/8" MIP
(TAPPED 1/4" FIP)



U1-8D-S
1/2" OD FLARE X 1/2" MIP
(TAPPED 3/8" FIP)



U3-8C-S
1/2" OD FLARE X 3/8" FIP



U3-8D-S
1/2" OD FLARE X 1/2" FIP



UR3-68
3/8" FEMALE FLARE TO 1/2"
MALE FLARE ADAPTER

⚠ WARNING! | CALIFORNIA PROPOSITION 65
This product can expose you to Lead, which is known to the state of California to cause cancer and birth defects or other reproductive harm. (For more information, go to www.p65warnings.ca.gov)

⚠ WARNING! | CALIFORNIA PROPOSITION 65
This product can expose you to Nickel, which is known to the state of California to cause cancer. (For more information, go to www.p65warnings.ca.gov)

Gemstones

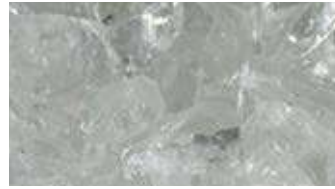
LARGE BROKEN GLASS



BLACK
GL-BLACK



COPPER
GL-COPPER



CRYSTAL
GL-CRYSTAL



LIGHT BLUE
GL-LIGHTBLUE



RED
GL-RED



SEABREEZE
GL-SEABREEZE

ALL GLASS IS SOLD
IN 5lb BAGS

Available in 8-Bag Master Cartons

SMALL REFLECTIVE GLASS



COBALT
GR-COBALT



PLATINUM
GR-PLAT

BEADED GLASS



BLACK
GB-BLACK



CLEAR
GB-CLEAR



WHITE
GB-WHITE

MAP Policy

Skytech Products Group-Retail includes Skytech Control Systems (referred to as "SPG-Retail"). This division has developed a Minimum Advertised Pricing (MAP) policy (the "Policy") for all products sold by and purchased from SPG-Retail and through traditional and/or online retailers ("Products"). In an effort to protect the image and value of SPG-Retail products and to maintain fair and equitable promotional and sales activity among its distributors, dealers, retailers and other resellers (each, a "Retailer"), SPG-Retail has developed the MAP Policy effective immediately. The MAP Policy and its terms and conditions are as follows:

POLICY

Subject to certain exceptions set forth below, no Retailer shall, at any time, advertise or promote any SPG-Retail Products for sale or resale at a price lower than the MAP pricing established by SPG-Retail for such Products.

APPLICATION

The MAP Policy shall apply to all promotions and/or advertisements of any Products purchased from SPG-Retail that appear in any media form, including, without limitation, written or electronic flyers, posters, coupons, mailers, inserts, newspapers, magazines, catalogs, mail order catalogs, Internet, online, or similar electronic media, websites, email newsletters, email solicitations, television, radio, and/or public signage. The MAP Policy shall not apply to (a) any in-store advertising displayed by a Retailer, in-store displays, point-of-sale signs, hang tags or bar codes, or similar product price packaging which merely state the price of such product; (b) the promotion or advertisement of discontinued Product, so long as such Product is clearly marked as discontinued within said advertisement or promotion; and (c) the actual price at which any Products are sold to an individual consumer at or from a Retailer's physical location or via telephone.

OTHER TERMS AND CONDITIONS

MAP pricing is subject to change from time to time at the sole discretion of SPG-Retail and can be accessed by contacting SPG-Retail Divisions at (888) 672-8929, or by written request via email at info@skytechpg.com. It shall be the responsibility of all Retailers to remain current as to MAP Policy, pricing, and any changes thereto.

The MAP Policy shall apply to all Products sold to SPG-Retail distributors and resold thereby to any Internet or online dealers and retailers, and such distributors shall take all necessary steps to enforce the MAP Policy in connection with each and every such resale.

By accepting Products from SPG-Retail and in consideration of continued access to Products and the benefits realized as an SPG-Retail preferred, approved Retailer, each Retailer accepts and all Products they purchase from SPG-Retail shall be and remain subject to the MAP Policy as set forth herein. Should it be determined that any Product subject to the MAP Policy is or has been advertised or promoted at a price below the MAP pricing established for said Product by SPG-Retail at any time, the violating Retailer shall immediately take all steps necessary to cure said violation and bring its advertising, promotion, pricing and sales activity into compliance with the MAP Policy. SPG-Retail hereby, at any time, reserves the right to discontinue the shipment of Products to the violating Retailer and/or its distributor, and the right to terminate future sales of Products to said violating Retailer and/or its distributor, subject to the parties' respective financial and confidential obligations that shall survive such termination.

Warranty Policy

Skytech Remote Control Warranty Replacement Policy

We understand that with our 5-year limited warranty products can sometimes fail whether they are new or still under warranty. However in order for us to provide the best possible service to you our policy is as follows:

If you feel you have a defective Skytech Remote Control and it is under warranty, that part must be returned to us for evaluation before a replacement will be sent. We will request you to send the product to us for evaluation providing us with your name, address, telephone number and short description of what is wrong with your remote. At the same time, if the remote is under warranty we request a copy or original receipt of date of purchase to ensure we can cover it under the warranty. In some cases we may assign you a Returned Materials Allocation (RMA) number. Once the evaluation has been conducted, if we find the remote control defective or it can be reworked we will send you a new replacement or your fully functioning original remote back to you at no charge.

If you cannot wait for the replacement part to be evaluated due to time constraints or certain situations you have the option to purchase a new remote. If you wish to have that replacement part expedited you will be charged for the shipping costs incurred.

Our Skytech Technical Support telephone line is 855.498.8324. If you have questions or concerns about the operation of your remote control please feel free to call us anytime between 8:00AM – 5:00PM EST.

Online Tools

We strive to help our dealers and distributor be as informed as possible about our products. If you go our website you will find all of our instruction manuals for each individual product as well as helpful technical & customer service videos. Check back often as we are always adding and updating our catalog of online tools.



855.498.8324
skytechpg.com





.....
TECH SUPPORT

855.498.8324

SALES SUPPORT

888.699.6167

CANADA

877.472.3923

WEBSITE

skytechpg.com