

DWV GROUND STAKE

535 SERIES

SPECIFICATION

Sioux Chief's 535 series DWV ground stake shall be used where necessary to secure 1½" through 4" Schedule 40 DWV pipe on grade preventing stub ups from moving or floating during the concrete pour. Plastic head of ground stake shall be designed to fit diameter of #3 rebar. Plastic head models shall be available in 14" or 26" lengths. All-steel model shall be available in 16" length only.

INSTALLATION

During ground rough stage, position ground stake over DWV pipe. Drive the stake into dirt or gravel to secure pipe in place.

When needing to support pipe above the dirt level, purchase plastic head separately and install inverted on #3 rebar. With all-steel model, rest pipe on top of unit and secure with wire, cable ties, etc.

MATERIALS

Plastic head: Polyethylene

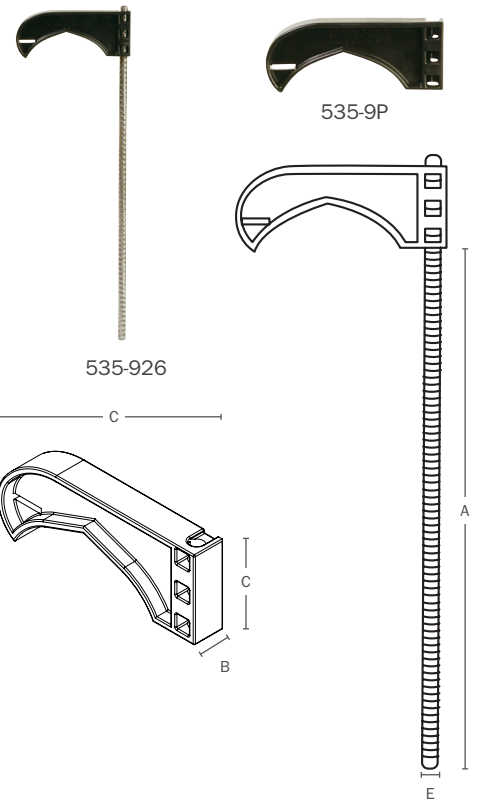
Stake: Carbon steel rebar (#3)

All-steel model: Carbon steel

DIMENSIONS

	535-9P	535-16	535-914	535-926
A: Plastic head length	5.33"	-	5.33"	5.33"
B: Plastic head width	.78"	-	.78"	.78"
C: Plastic head height	2.10"	-	2.10"	2.10"
D: Rod length	-	16"	14"	26"
E: Rod diameter (nominal)	-	.312"	.375"	.375"

ITEM # SUBMITTED	_____
JOB NAME	_____
LOCATION	_____
ENGINEER	_____
CONTRACTOR	_____
PO#	_____ TAG _____



Inverted installation examples

US Patent 6,901,716 B1
Made in USA

Create Item Number

535-A

e.g. **535-914**: 14" ground stake with plastic head

TUBE SIZE A

16 = All steel, 16" long

9P = Polyhead only

914 = Polyhead, 14" long

926 = Polyhead, 26" long