

DATA SHEET

VBII General Duty Safety Switch

200A, 240V, Type 3R

Standards and Ratings

- UL and CUL Listed under file #E4776⁴
- Meets UL98 for switches and UL 50 for enclosures
- Meets NEMA Standard KS-1 for enclosed switches
- Rated 10,000 AIC with Class H fuses or 100,000 AIC with Class R or T fuses
- Suitable for use as service entrance equipment in the US
- Supports 2020 NEC 230.62 compliance with addition of line side barrier kit (listed as accessory below)

Features

- Quick-make and break switching action
- Double break visible blade design
- Highly visible ON/OFF indication
- Rugged installer friendly enclosure design
- Modular design allows quick and easy replacement of parts
- Single cover interlock



Product Specifications

General Duty 200A, 240V, Type 3R

General Information

Catalog Number	Amps	Volts	Description	Shipping Weight (lbs.)
GF224NRA ¹	200	240	2 Pole, 3 Wire Fusible	37
GF324NRA	200	240	3 Pole, 4 Wire, Fusible	37
GNF324RA	200	240	3 Pole, 3 Wire, Non-Fusible	35
GNF224RA	200	240	2 Pole, 2 Wire, Non-fusible	35

Horsepower Ratings^{2,3} – 250 Volts

Catalog Number	1 Phase, 3 Wire 240V AC		3 Phase, 3 Wire 240V AC		
	Std	Max	Std	Max	
GF224NRA	15	—	25	60	40
GF324NRA	15	—	25	60	40
GNF324RA	—	15	—	60	40
GNF224RA	—	15	—	60	40

Mechanical Lug Wire Range (60/75°C, Cu/Al)

Description	Wire Range
Line, Load, Neutral	#6 AWG - 300 Kcmil
Neutral Ground	#14-1/0 AWG
Ground Lug Kit	#14-4 AWG

¹ These switches are UL Listed for application on grounded B phase systems.

² Dual horsepower ratings: Std - applies when non-time delay fuses are installed.
Max - applies when time-delay fuses are installed.

³ Internal shield 2020 NEC 230.62 compliant for service entrance equipment.

⁴ CUL listing only applies to non-fusible switches.

Accessories

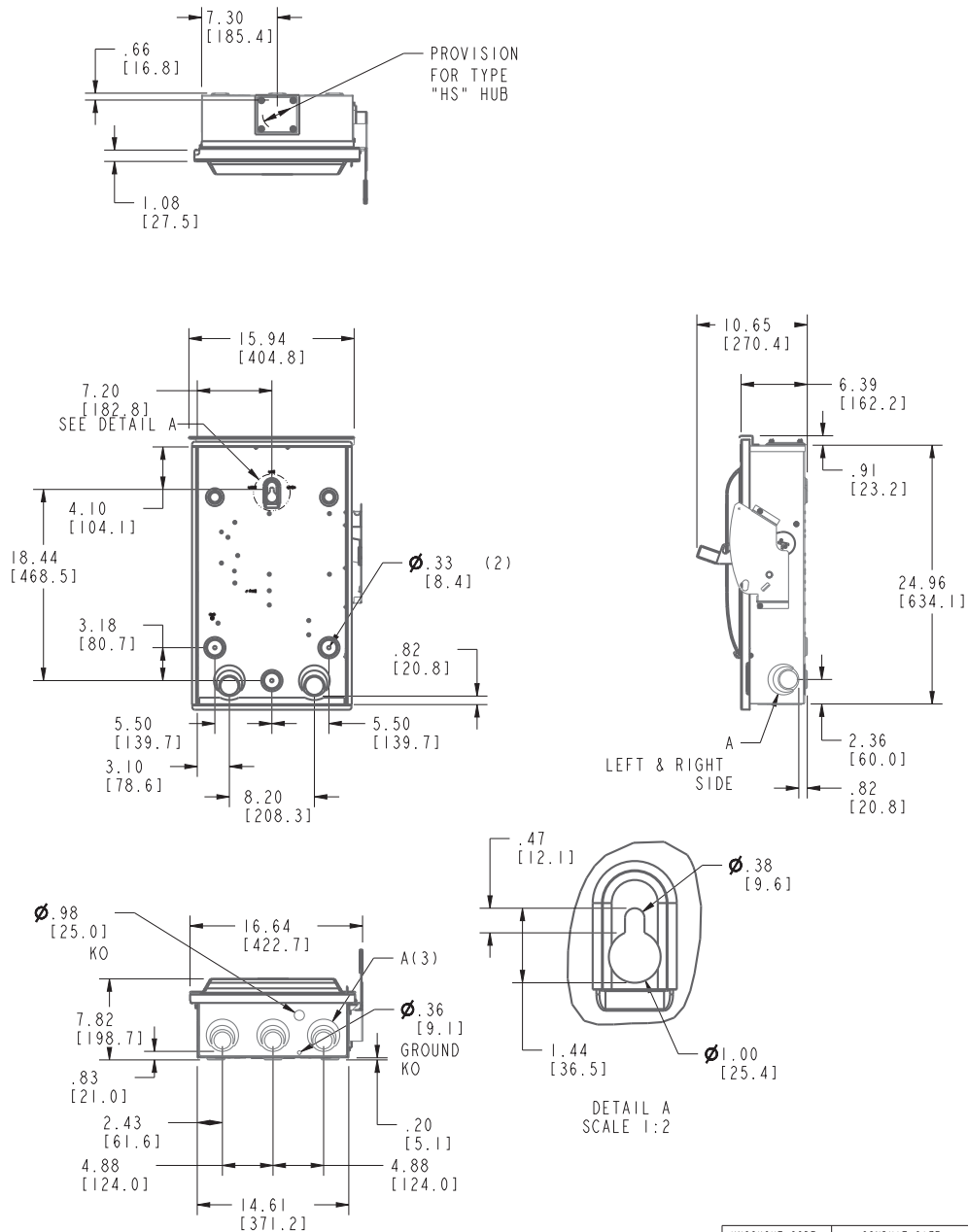
Catalog Number	Description
HG61234	Equipment Ground Lug Kit
HN64	Neutral Kit
HR64	Class R Fuse Clip Kit (3 fuse clips per kit) (GF224NRA, GF324NRA)
HT24	Class T Fuse Clip Kit (1-Pole per kit) (GF224NRA, GF324NRA)
HSK24B ³	Line Side Barrier
ECHS150	1.50" Outdoor hub (3R)
ECHS200	2.00" Outdoor hub (3R)
ECHS250	2.50" Outdoor hub (3R)

Replacement Parts

Catalog Number	Description
HFB64	Fusible Line Side Replacement Base (GF224NRA, GF324NRA)
HBB64	Fusible Load Side Replacement Base (GF224NRA, GF324NRA)
HNB64	Non-Fusible Replacement Base (GNF324RA, GNF224RA)
GH24	Replacement Handle/Handle Guard
HM64	Replacement Mechanism
HL64	Replacement Lugs (3 lugs per kit)

Dimension Drawings

General Duty 200A, 240V, Type 3R



KNOCKOUT CODE	CONDUIT SIZE
A (Tangential)	1.25 1.50 2.00 2.50

Enclosure:
Cold Rolled Steel
.054 Thick (17 Gauge)
Finish: ANSI Grey #61
Paint

Published by
Siemens Industry, Inc.
3617 Parkway Lane
Peachtree Corners, GA 30092
United States of America

Phone: 1-800-333-7421
usa.siemens.com/switches

Order No.: SSDS-GA23R-1024
Printed in U.S.A.

© 2024 Siemens Industry, Inc.

This document contains a general description of available technical options only, and its effectiveness will be subject to specific variables including field conditions and project parameters. Siemens does not make representations, warranties, or assurances as to the accuracy or completeness of the content contained herein. Siemens reserves the right to modify the technology and product specifications in its sole discretion without advance notice.

SIEMENS