

SIEMENS

Data Sheet

VBI General Duty Safety Switch

30A 240V, Type 1, Fusible
PLUS Series

usa.siemens.com/switches



Standards and Ratings

- Meets UL98 for switches and UL 50 for enclosures
- Meets NEMA Standard KS-1 for enclosed switches
- Meets NEC wire bending space requirements
- Suitable for use as service entrance equipment
- Meets 2020 NEC 230.62 with addition of line side barrier kit (listed as accessory on following page)

Features

- Rated 10,000 AIC with Class K fuses or H fuses or rated 100,000 AIC with Class R fuses
- Six points of entry / exit (double the number of knock outs compared to GF321NA)
- Quick-make and break switching action offers easy on/off confirmation
- Double break visible blade design
- PLUS series enclosure (50% greater interior compared to GF321NA)
- Oversize lugs offer easy termination up to 2 AWG

Product Specifications

General Duty 30A, 240V, Type 1, PLUS

General Information

Catalog Number	Amps	Volts	Description	Shipping Weight (lbs.)
GF321NLA	30	240	3 Pole, Fusible with neutral, PLUS series	20 ¹
GF221NLA	30	240	2 Pole, Fusible with neutral, PLUS series	20 ¹

Horsepower Ratings – 240 Volts

1 Phase, 240V AC	3 Phase, 240V AC	250V DC
3	7.5	5

Mechanical Lug Wire Range²

Description	Wire Range with Wire Bending Space per NEC Requirements	Lug Wire Range
Line and Load Terminals	#14-6 AWG	#14-2 AWG

Accessories and Hub Kits

Catalog Number	Description
HG61234 ²	Ground Lug Kit 30-200A
HN22A	Neutral Replacement Kit
HSK212BA ³	Line Side Barrier Kit

Wire Torque Information

Application	Wire Size	Nominal Torque
Mechanical Lug Wire Connector ⁴	14 -10 AWG	35 lb.-in.
	8 AWG	40 lb.-in.
	6 AWG	45 lb.-in.

¹ Package of 5.

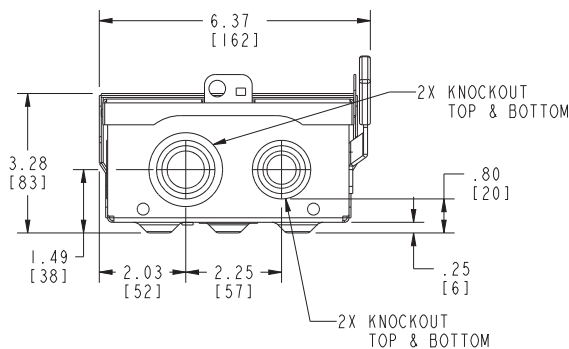
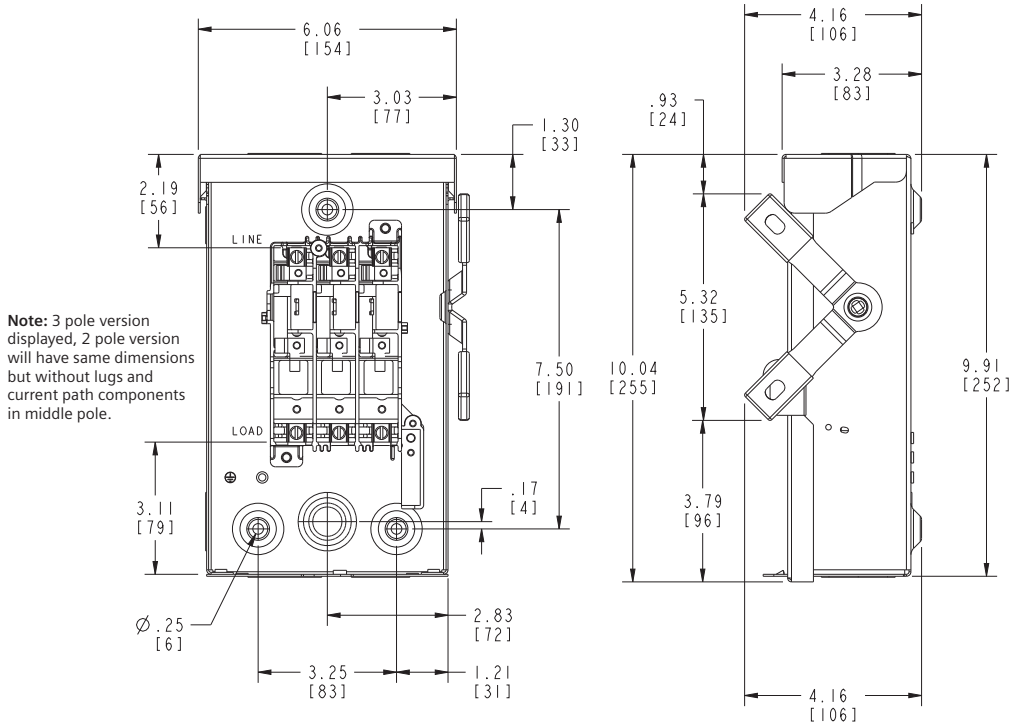
² See "Wire Torque Information" table for specific wire torque values.

³ Internal shield which meets 2020 NEC 230.62 line side barrier requirements for service entrance equipment.

⁴ Use Cu/Al 60°/75° C Wire.

Dimension Drawings

General Duty 30A, 240V, Type 1, PLUS



KNOCKOUT CODE	CONDUIT SIZE			
Concentric	.50	.75	1.00	
Concentric	.50	.75	1.00	1.25

LINE SIDE WIRE BEND	LOAD SIDE WIRE BEND
2"	2"

Dimensions shown in inches and millimeters ().
Dimension shown accurate to ± 1/16 inch.

Enclosure: Cold Rolled Steel
0.45 Thick (17 Gauge)
Finish: ANSI #61 Grey Paint

Published by
Siemens Industry, Inc. 2023.

Siemens Industry, Inc.
3617 Parkway Ln
Peachtree Corners, GA 30092

For more information, please contact our Customer Support Center.
Phone: 1-800-241-4453
E-mail: info.ipc.us@siemens.com
info.hmi.us@siemens.com

usa.siemens.com/switches

Order No.: SSSFL-GF32L-0123
© 2023 Siemens Industry, Inc.

The technical data presented in this document is based on an actual case or on as-designed parameters, and therefore should not be relied upon for any specific application and does not constitute a performance guarantee for any projects. Actual results are dependent on variable conditions. Accordingly, Siemens does not make representations, warranties, or assurances as to the accuracy, currency or completeness of the content contained herein. If requested, we will provide specific technical data or specifications with respect to any customer's particular applications. Our company is constantly involved in engineering and development. For that reason, we reserve the right to modify, at any time, the technology and product specifications contained herein.