

# SANICONDENS<sup>®</sup> BEST



The Sanicondens Best is a pump used to **neutralize and pump condensate from condensing boilers, HVAC systems, water heater systems, etc.** The Sanicondens Best will pump condensate waste up to **15 feet in height and/or 150 feet away** from a soil stack.

- Discharges the condensate waste through a  $\frac{3}{8}$ " vinyl tube. A non-return valve is included on the discharge connection provided with the system.
- Comes with provisions for a **ready-to-wire connection to an external overflow switch** that will shut down the appliance or alert the consumer in the event of overflow. It also includes all necessary hardware for ease of installation; **20 ft. of vinyl tubing, inlet adapter, discharge adapter.**
- Discharges **condensate from a condensing boiler or other condensate producing fixtures.** The condensate will drain into the system via **four 1" inlets located on top of the enclosure.**
- Comes equipped with a **built-in neutralizer to raise pH levels** for harsh HVAC applications. Neutralizing granules come included with the condensate pump.



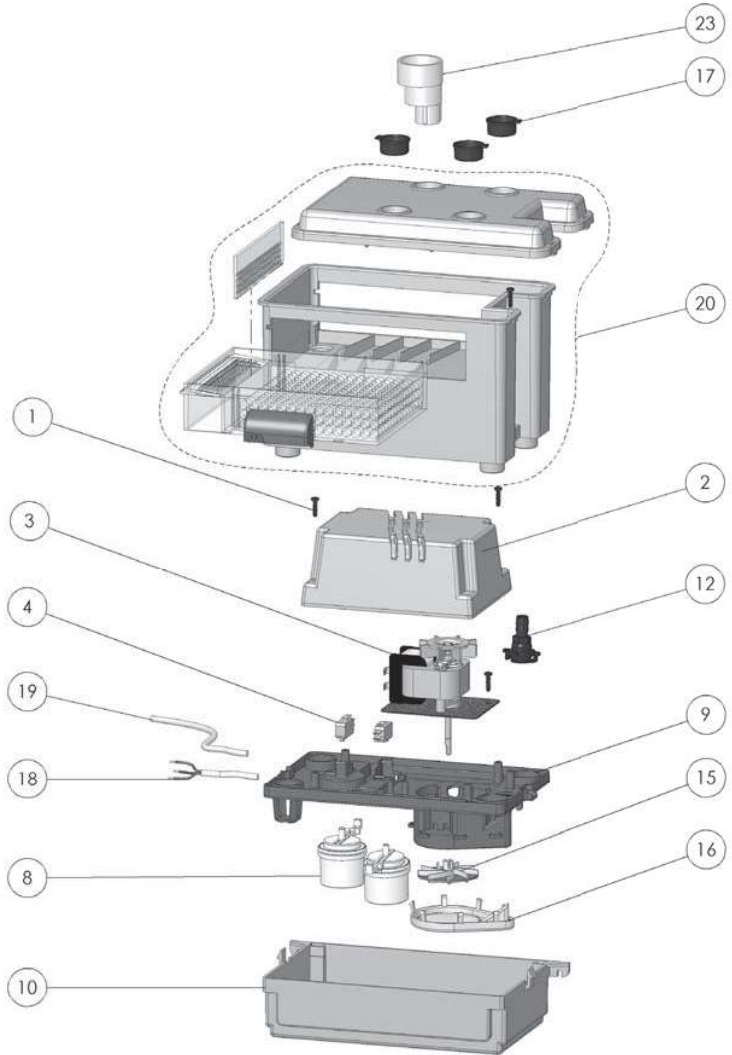
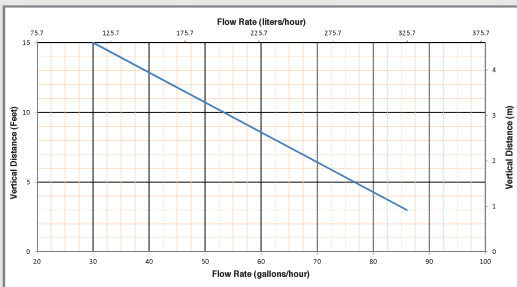
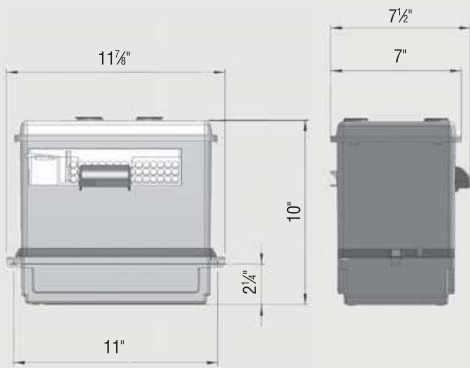
## TECHNICAL SPECIFICATIONS

Pump type: Condensate pump  
Electrical: 120 V – 60 Hz / 1.5 Amps (Max)  
Motor: 1/30 HP oil-filled thermally protected motor  
Operating Temperature: 160°F Max.  
Power cord length: 61½ inches  
Noise level: ≤ 44 dBA (Lp) (measured at 3 ft.)

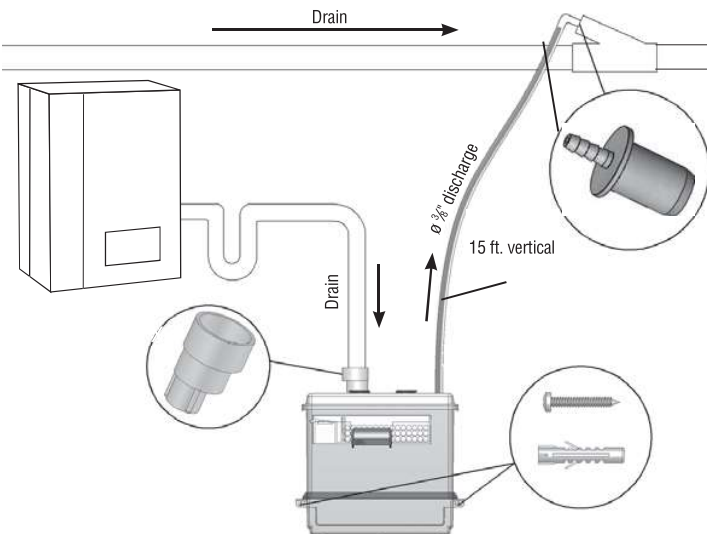




Discharge pipe diameter:  $\frac{3}{8}$ "  
 Discharge rate at 15 ft: 30 GPH  
 Discharge rate at 3 ft: 86 GPH  
 Normal running time: 3-5 seconds (short bursts)  
 Capacity: 0.55 gallon  
 Inlets: 1" (top)  
 Method of activation: Float/microswitch  
 Weight: 8 lbs.  
 Certifying agencies: CSA (IPC, NSPC)  
 Recommended accessories: Neutralizing granules (Part# 042)  
 Connections: Condensing boiler, HVAC systems,  
 air conditioners



PLEASE CALL US TOLL-FREE AT 800-571-8191 (US) / 800-363-5874 (CDN)  
TO PURCHASE PARTS REFERENCED ABOVE



## 2 IN 1 CONDENSATE PUMP WITH BUILT-IN NEUTRALIZER FOR HARSH HVAC APPLICATIONS

Neutralizing agent (Part# 042) is used to **raise the pH level** from condensate being produced by condensing boilers, air conditioners, etc.

The two quart capacity condensate pump comes equipped with **all the necessary hardware for easy installation**. It can be installed on top of flat surface or wall mounted.