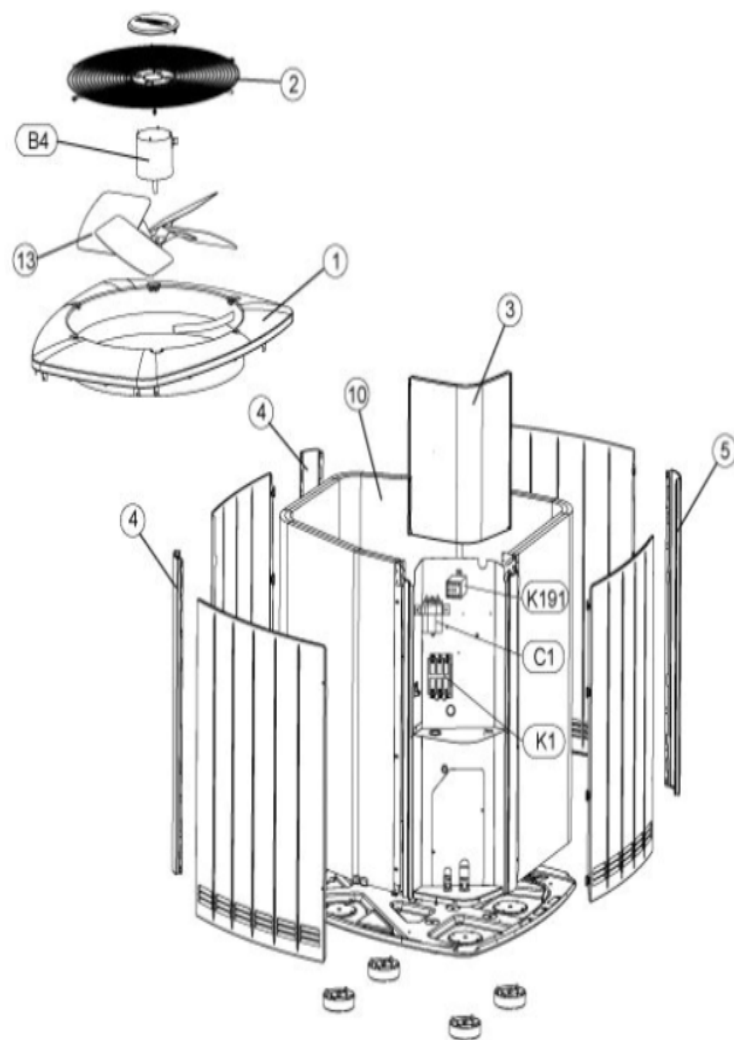
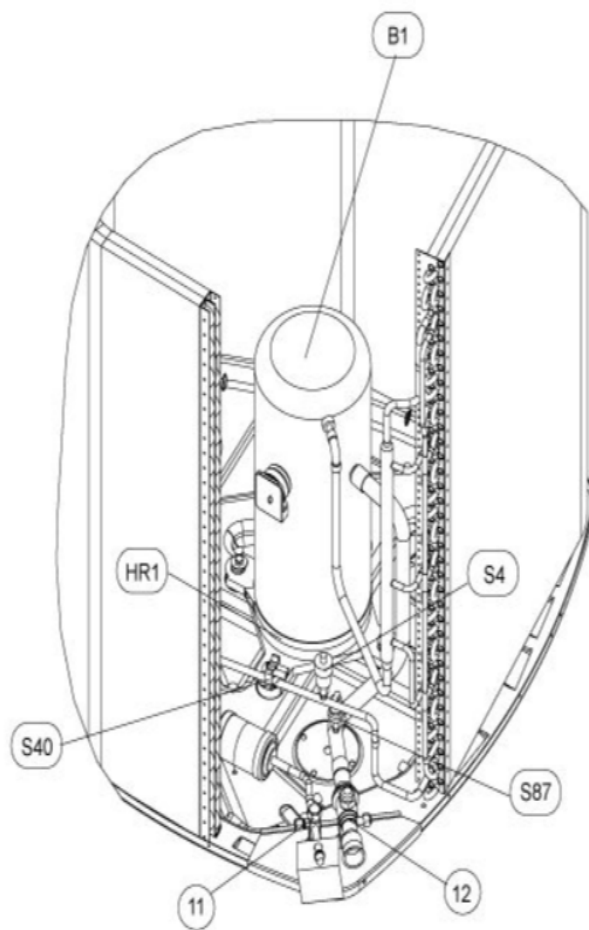


SSB SERIES



SSB SERIES



Revision Number - 4

CABINET PARTS

Callout	Name	Quantity	Description
	NUT-CAP Cat #: 85M56 Model/Part #: 100094-01	4	MOTOR
	LEG Cat #: 29W57 Model/Part #: 101262-01	4	BASE (G VOLTAGE)
	COVER Cat #: 69J03 Model/Part #: 69J0301	1	SOUND-COMPRESSOR (OPTIONAL)
	PANEL Cat #: 85M97 Model/Part #: LB-107754-36	1	4 LOUVER
	PANEL-FRONT Cat #: 86M02 Model/Part #: LB-107755-36	1	5 LOUVER
	PANEL Cat #: 86M07 Model/Part #: LB-107756-36	1	6 LOUVER
	PANEL Cat #: 86M17 Model/Part #: LB-107758-36	1	8 LOUVER
	PATCH PLATE (QUARTZ GRAY) Cat #: 28W62 Model/Part #: LB-93297G-PP	1	PATCH PLATE (QUARTZ GRAY)
1	TOP-PARAGON-METAL-MEDIUM Cat #: 55W15 Model/Part #: 603135-01G	1	TOP-PARAGON-METAL-MEDIUM
2	GRILLE-DISCHARGE Cat #: 97M69 Model/Part #: 100062-02	1	GRILLE (DISCHARGE)
3	COVER-CONTROL BOX Cat #: 97M72 Model/Part #: LB-108273	1	COVER-CONTROL BOX (MEDIUM)
4	CORNER POST Cat #: 85M77 Model/Part #: LB-107737-36	2	FRONT
5	CORNER POST Cat #: 85M82 Model/Part #: LB-107738-36	1	REAR

CONTROL PANEL PARTS

Callout	Name	Quantity	Description
C1	CAPACITOR-FAN Cat #: 22W78 Model/Part #: 100600-01	1	"5MFD,370VAC (460V)"
K1	CONTACTOR Cat #: 95M57 Model/Part #: 100438-03	1	"3PDT,24V"
K191	RELAY Cat #: 56L68 Model/Part #: 56L6801	1	"SPDT, 24V (460 VOLT)"

COOLING PARTS

Callout	Name	Quantity	Description
	RELAY-OVERLOADCOMP-INTERNAL Cat #: Model/Part #:	1	
	CORE-VALVE Cat #: 95M48 Model/Part #: 100210-01	2	CORE - VALVE
	DRIER Cat #: 95M52 Model/Part #: 100214-03	1	LIQUID LINE (FOOTNOTE 1)
	FITTING-PRESS TAP Cat #: 95M47 Model/Part #: 100520-01	2	FITTING - PRESSURE TAP (BRASS)
	HARNESS-COMPRESSOR Cat #: 15M36 Model/Part #: 15M3601	1	MOLDED PLUG- POWER
	HARNESS-COMP Cat #: 38M48 Model/Part #: 38M4801	1	MOLD PLUG FOR 2ND STAGE
	DRIER Cat #: 88K45 Model/Part #: 88K4501	1	SUCTION LINE (OPTIONAL)
	MOUNT PKG-COMP Cat #: 54M63 Model/Part #: LB-106528	1	MOUNT PKG-COMP
10	COIL-OUTDOOR Cat #: 13W45 Model/Part #: LB-110660K	1	W/MANIFOLD
11	VALVE-SERVICE Cat #: 10W32 Model/Part #: 100432-01	1	"LIQUID LINE, 3/8""
12	VALVE-SERVICE Cat #: 22W71 Model/Part #: 100432-03	1	"SUCTION LINE, 7/8""
13	FAN	1	"1/2""BORE,22""DIA,4

Callout	Name	Quantity	Description
	Cat #: 98M21 Model/Part #: 100060-10		BLADE"
B1	COMPRESSOR ZPS40K5E-TFD-130 Cat #: 10H45 Model/Part #: 103137-10	1	"4 TON,460/60/3,COPE # (FOOTNOTE 1)"
B4	MOTOR-FAN Cat #: 25W15 Model/Part #: 100483-09	1	"1/4HP, 825 RPM,460/60/1"
HR1	HEATER-CRANKCASE Cat #: 93M14 Model/Part #: 100499-11	1	"480 VOLT, 40 WATT"
S4	SWITCH-HI PRESS-AUTO Cat #: 93W01 Model/Part #: 100087-12	1	SWITCH -HI PRESS - AUTO (AFTER 4/2/12)
S40	THERMOSTAT SPST OPEN@70°F CLOSE@50°F 40" Cat #: 95M54 Model/Part #: 100503-01	1	"CC HEATER OPEN 70F, CLOSE 50F"
S87	SWITCH-LO PRESS-AUTO Cat #: 88M98 Model/Part #: 100087-03	1	"IN 90 PSIG, OUT 40 PSIG"

Note:

Note1: Compressor uses POE oil. The filter drier MUST BE replaced at time of compressor change. Please advise customer of this requirement at time of order. (The filter drier is excluded from the Lennox Quality Care Limited Warranty).