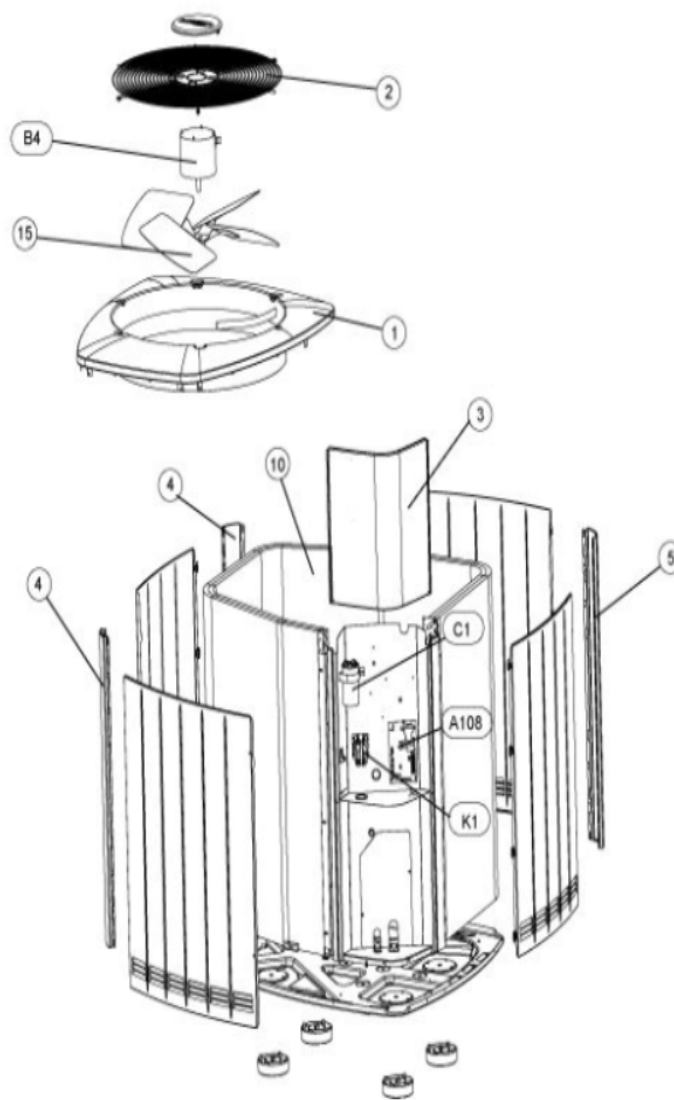
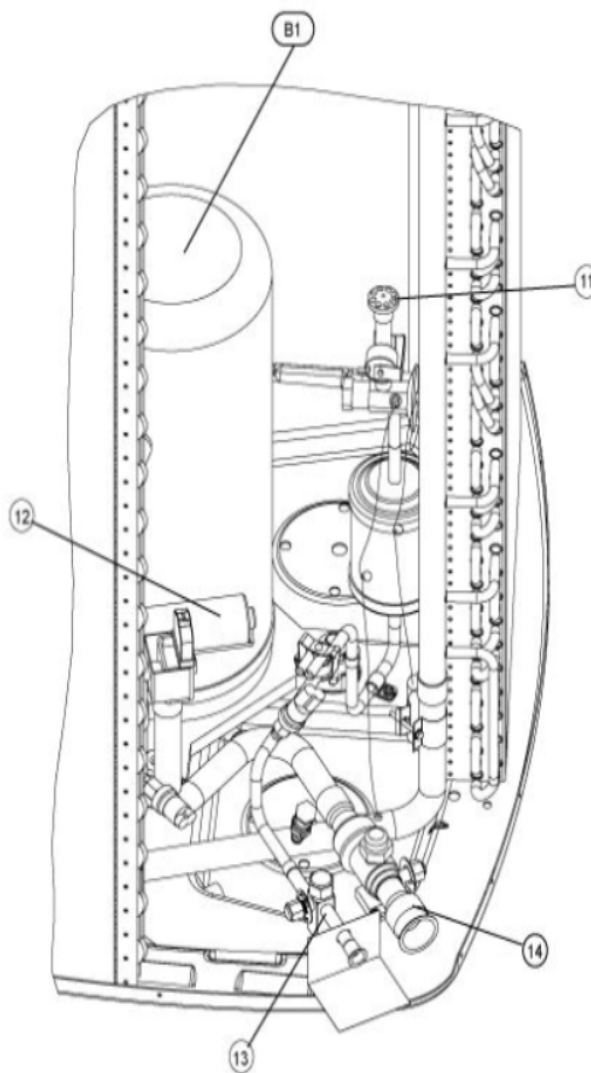


### SPB SERIES



### SPB SERIES



Revision Number - 6

## CABINET PARTS

Callout	Name	Quantity	Description
	NUT-CAP Cat #: 85M56 Model/Part #: 100094-01	4	MOTOR
	LEG Cat #: 29W58 Model/Part #: 101263-01	2	BASE (FRONT)
	LEG Cat #: 29W59 Model/Part #: 101263-02	2	BASE (REAR)
	COVER-SOUND Cat #: 27W56 Model/Part #: 101321-02	1	SOUND-COMPRESSOR (OPTIONAL)
	PANEL Cat #: 86M03 Model/Part #: LB-107755-42	1	5 LOUVER
	PANEL Cat #: 86M08 Model/Part #: LB-107756-42	1	6 LOUVER
	PANEL Cat #: 86M13 Model/Part #: LB-107757-42	1	7 LOUVER
	PANEL Cat #: 86M23 Model/Part #: LB-107759-42	1	9 LOUVER
	COVER Cat #: 28W63 Model/Part #: LB-111270G-PP	1	PATCH PLATE (QUARTZ GRAY)
1	PANEL-TOP Cat #: 55W14 Model/Part #: 603134-01G	1	TOP-PARAGON METAL-LARGE
2	GRILLE-DISCHARGE Cat #: 34W50 Model/Part #: 100062-03	1	GRILLE (DISCHARGE)
3	COVER-CONTROL BOX Cat #: 44W13 Model/Part #: LB-110901	1	COVER - CONTROL BOX (LARGE)
4	CORNER POST Cat #: 85M78 Model/Part #: LB-107737-42	2	FRONT
5	CORNER POST Cat #: 85M83 Model/Part #: LB-107738-42	1	REAR

**CONTROL PANEL PARTS**

<b>Callout</b>	<b>Name</b>	<b>Quantity</b>	<b>Description</b>
	HARNESS-WIRING Cat #: 86M37 Model/Part #: 100134-01	1	"DEFROST BOARDW/RT13, 21, & 28 SENSORS"
A108	CONTROL-DEFROST Cat #: 42W04 Model/Part #: 100135-05	1	BOARD-PRINTED CIRCUIT DEFROST CONTROL
K1	CONTACTOR Cat #: 95M57 Model/Part #: 100438-03	1	CONTACTOR 3PST 25A

**COOLING PARTS**

<b>Callout</b>	<b>Name</b>	<b>Quantity</b>	<b>Description</b>
	RELAY-OVERLOADCOMP-INTERNAL Cat #: Model/Part #:	1	
	CORE-VALVE Cat #: 95M48 Model/Part #: 100210-01	2	CORE - VALVE
	DRIER Cat #: 95M51 Model/Part #: 100215-04	1	LIQUID LINE (FOOTNOTE 1)
	HARNESS-WIRING Cat #: 42W64 Model/Part #: 100273-09	1	SOLENOID COIL
	MUFFLER Cat #: 17W04 Model/Part #: 100304-01	1	MUFFLER
	VALVE-EXPANSION Cat #: 43W22 Model/Part #: 100481-16	1	W/CHECK VALVE
	FITTING-PRESS TAP Cat #: 95M46 Model/Part #: 100519-01	1	SUCTION PORT
	FITTING-PRESS TAP Cat #: 95M47 Model/Part #: 100520-01	2	FOR HI & LO PRESS SW
	HARNESS-COMPRESSOR Cat #: 15M36 Model/Part #: 15M3601	1	MOLDED PLUG-POWER
	HARNESS-COMP Cat #: 49M73 Model/Part #: 49M7301	1	MOLDED PLUG FOR 2ND STAGE

<b>Callout</b>	<b>Name</b>	<b>Quantity</b>	<b>Description</b>
	DRIER Cat #: 88K45 Model/Part #: 88K4501	1	SUCTION LINE (OPTIONAL)
	MOUNT PKG-COMP Cat #: 54M63 Model/Part #: LB-106528	1	MOUNT PKG-COMP
10	COIL-OUTDOOR Cat #: 27W66 Model/Part #: LB-110823Y	1	W/MANIFOLD
11	DISTRIBUTOR Cat #: 23W82 Model/Part #: 101081-11	1	W/TUBES
12	VALVE-REVERSING Cat #: 42W59 Model/Part #: 100145-09	1	W/SOLENOID COIL
13	VALVE-SERVICE Cat #: 10W32 Model/Part #: 100432-01	1	"LIQUID LINE, 3/8""
14	VALVE-SERVICE Cat #: 31W74 Model/Part #: 100609-03	1	VALVE-BALL 1 1/8 X 7/8
15	FAN Cat #: 85M50 Model/Part #: 100017-02	1	"1/2""BORE,26""DIA,3 BLADE"
B1	COMPRESSOR Cat #: 23W18 Model/Part #: 100504-07	1	COMPRESSOR ZPS51K4E-TF5-130
B4	MOTOR-FAN Cat #: 63W62 Model/Part #: 100016-03	1	"1/3HP, 820 RPM,208- 230/60/1(VARIABLE)"
HR1	HEATER-CRANKCASE Cat #: 93M06 Model/Part #: 100499-03	1	"240 VOLT, 70 WATT"
L1	COIL-SOLENOID 24V Cat #: 42W18 Model/Part #: 101813-01	1	FOR REVERSING VALVE
S4	SWITCH-HI PRESS-AUTO Cat #: 86M36 Model/Part #: 100087-01	1	CUTOUT 590 PSIG
S40	THERMOSTAT SPST OPEN@70°F CLOSE@50°F 40" Cat #: 95M54 Model/Part #: 100503-01	1	"CC HEATER OPEN 70F, CLOSE 50F"
S87	SWITCH-LO PRESS-AUTO Cat #: 23W26 Model/Part #: 100087-06	1	"IN 40 PSIG, OUT 25 PSIG"

**Note:**

Compressor uses POE oil. The filter drier MUST BE replaced at time of compressor change. Please advise customer of this requirement at time of order. (The filter drier is excluded from the Lennox Quality Care L imited Warranty).