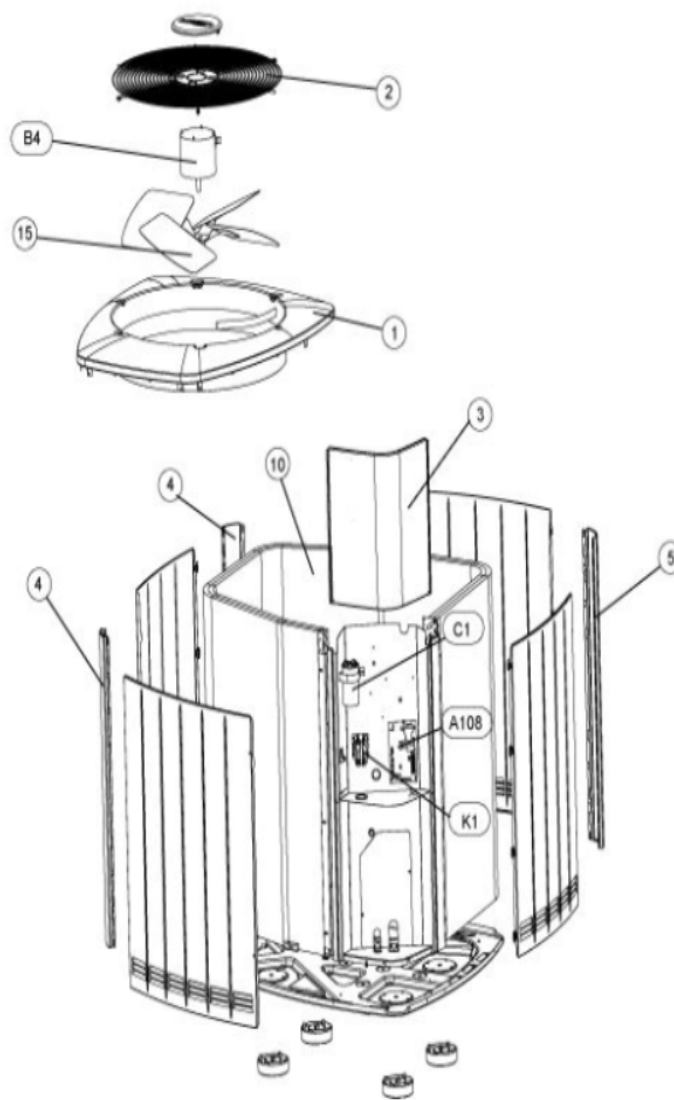
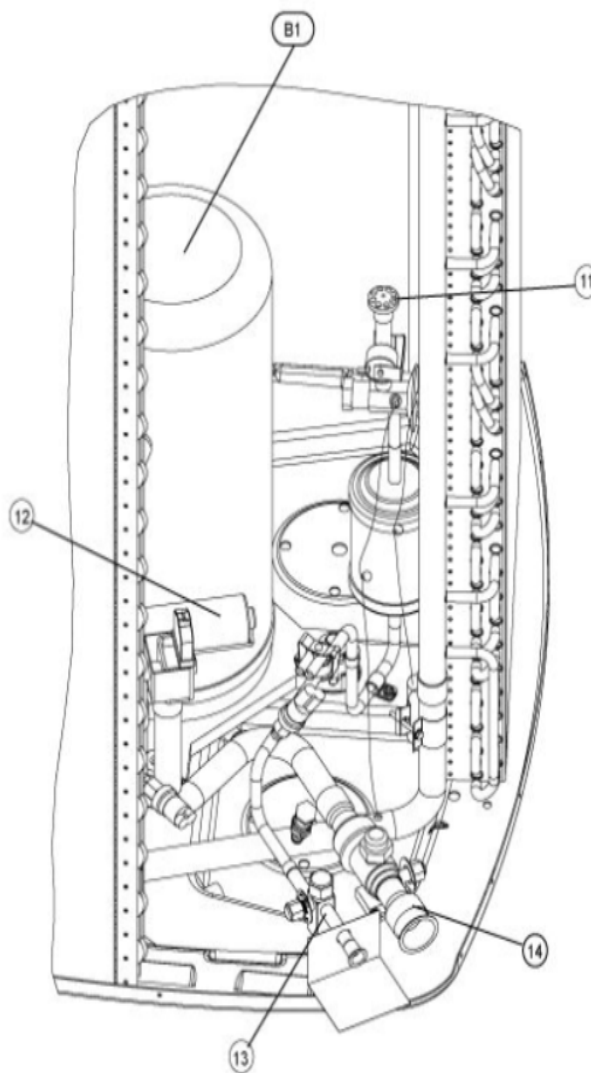


SPB SERIES



SPB SERIES



Revision Number - 7

CABINET PARTS

Callout	Name	Quantity	Description
	NUT-CAP Cat #: 85M56 Model/Part #: 100094-01	4	MOTOR
	LEG Cat #: 29W58 Model/Part #: 101263-01	2	BASE (FRONT)
	LEG Cat #: 29W59 Model/Part #: 101263-02	2	BASE (REAR)
	COVER Cat #: 69J03 Model/Part #: 69J0301	1	SOUND-COMPRESSOR (OPTIONAL)
	PANEL Cat #: 86M01 Model/Part #: LB-107755-32	1	5 LOUVER
	PANEL Cat #: 86M06 Model/Part #: LB-107756-32	1	6 LOUVER
	PANEL Cat #: 86M11 Model/Part #: LB-107757-32	1	7 LOUVER
	PANEL Cat #: 86M21 Model/Part #: LB-107759-32	1	9 LOUVER
	COVER Cat #: 28W63 Model/Part #: LB-111270G-PP	1	PATCH PLATE (QUARTZ GRAY)
1	PANEL-TOP Cat #: 55W14 Model/Part #: 603134-01G	1	TOP-PARAGON METAL-LARGE
2	GRILLE-DISCHARGE Cat #: 34W50 Model/Part #: 100062-03	1	GRILLE (DISCHARGE)
3	COVER-CONTROL BOX Cat #: 44W13 Model/Part #: LB-110901	1	COVER - CONTROL BOX (LARGE)
4	CORNER POST Cat #: 85M76 Model/Part #: LB-107737-32	2	FRONT
5	CORNER POST Cat #: 85M81 Model/Part #: LB-107738-32	1	REAR

CONTROL PANEL PARTS

Callout	Name	Quantity	Description
	HARNES-WIRING Cat #: 86M37 Model/Part #: 100134-01	1	"DEFROST BOARDW/RT13, 21, & 28 SENSORS"
A108	BOARD-PRINTED CIRCUIT DEFROST CONTROL Cat #: 81W99 Model/Part #: 100135-06	1	BOARD-PRINTED CIRCUIT DEFROST CONTROL
C1	CAPACITOR-RUN Cat #: 22W80 Model/Part #: 100600-03	1	"10MFD,370VAC"
K1	CONTACTOR Cat #: 95M57 Model/Part #: 100438-03	1	"3PDT,24V"

COOLING PARTS

Callout	Name	Quantity	Description
	RELAY-OVERLOADCOMP-INTERNAL Cat #: Model/Part #:	1	
	CORE-VALVE Cat #: 95M48 Model/Part #: 100210-01	2	CORE - VALVE
	DRIER-FILTER Cat #: 11N96 Model/Part #: 100215-07	1	LIQUID LINE (FOOTNOTE 1)
	HARNES-WIRING Cat #: 16W51 Model/Part #: 100273-04	1	HARNES - WIRING: REVERSING VALVE 26 in.
	MUFFLER Cat #: 17W04 Model/Part #: 100304-01	1	MUFFLER COPPER
	VALVE-EXPANSION Cat #: 33W85 Model/Part #: 100481-15	1	W/CHECK VALVE
	FITTING-PRESS TAP Cat #: 95M46 Model/Part #: 100519-01	1	SUCTION PORT
	FITTING-PRESS TAP	2	FOR HI & LO PRESS

Callout	Name	Quantity	Description
	Cat #: 95M47 Model/Part #: 100520-01		SW
	HARNESS-COMPRESSOR Cat #: 15M36 Model/Part #: 15M3601	1	MOLDED PLUG- POWER
	HARNESS-COMP Cat #: 49M73 Model/Part #: 49M7301	1	MOLDED PLUG FOR 2ND STAGE
	DRIER Cat #: 88K45 Model/Part #: 88K4501	1	DRIER
	MOUNT PKG-COMP Cat #: 54M63 Model/Part #: LB-106528	1	MOUNT PKG-COMP
10	COIL-OUTDOOR Cat #: 59W18 Model/Part #: LB-110823AB	1	W/MANIFOLD
11	DISTRIBUTOR Cat #: 23W75 Model/Part #: 101081-04	1	W/TUBES
12	VALVE-REVERSING Cat #: 42W59 Model/Part #: 100145-09	1	W/SOLENOID
13	VALVE-SERVICE Cat #: 10W32 Model/Part #: 100432-01	1	VALVE SERVICE 3/8
14	VALVE-BALL SERVICE 7/8 X 7/8 Cat #: 77W34 Model/Part #: 102831-05	1	VALVE SERVICE 7/8 X 7/8
15	FAN Cat #: 13W85 Model/Part #: 100060-17	1	"1/2""BORE,26""DIA,3 BLADE"
B1	COMPRESSOR ZPS40K5E-TF5-130 Cat #: 10H32 Model/Part #: 103137-07	1	"3.5 TON,208- 230/60/3,COPE (FOOTNOTE 1)"
B4	MOTOR-FAN Cat #: 69W97 Model/Part #: 100483-30	1	"1/3HP, 825 RPM,208-230/60/1"
HR1	HEATER-CRANKCASE Cat #: 93M06 Model/Part #: 100499-03	1	"240 VOLT, 70 WATT"
L1	COIL-SOLENOID 24V Cat #: 42W18 Model/Part #: 101813-01	1	FOR REVERSING VALVE
S4	SWITCH-HI PRESS-AUTO Cat #: 86M36 Model/Part #: 100087-01	1	CUTOUT 590 PSIG
S40	THERMOSTAT SPST OPEN@70°F CLOSE@50°F	1	"CC HEATER OPEN

Callout	Name	Quantity	Description
	40" Cat #: 95M54 Model/Part #: 100503-01		70F, CLOSE 50F"
S87	SWITCH-LO PRESS-AUTO Cat #: 23W26 Model/Part #: 100087-06	1	"IN 40 PSIG, OUT 25 PSIG"

Note:

Compressor uses POE oil. The filter drier MUST BE replaced at time of compressor change. Please advise customer of this requirement at time of order. (The filter drier is excluded from the Lennox Quality Care L imited Warranty).