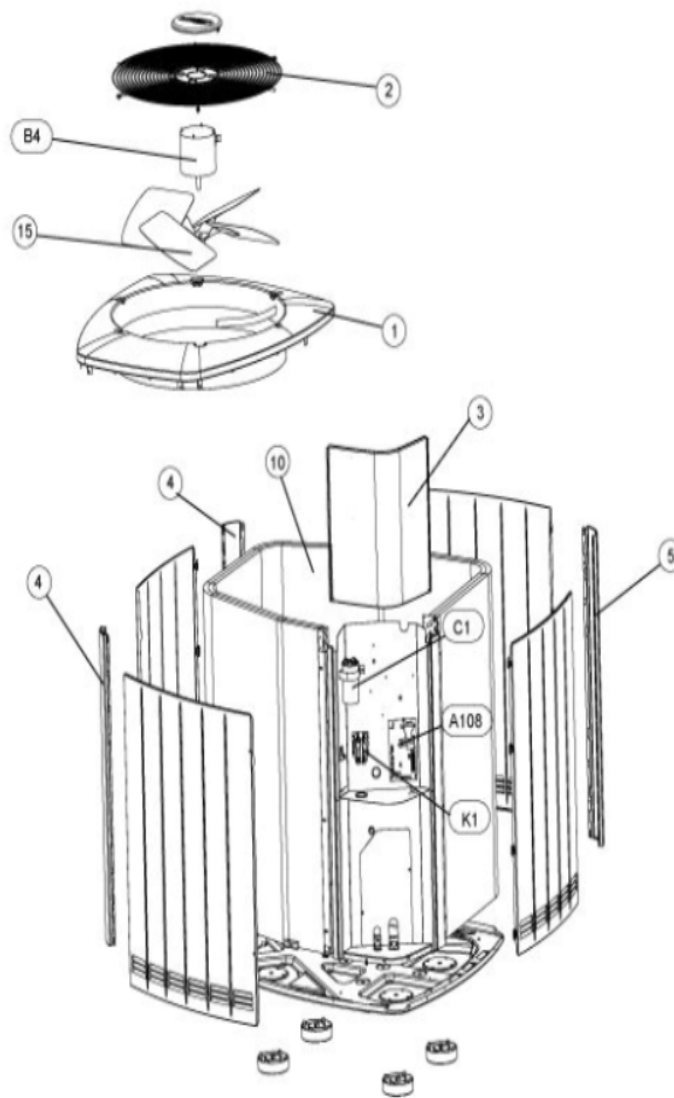
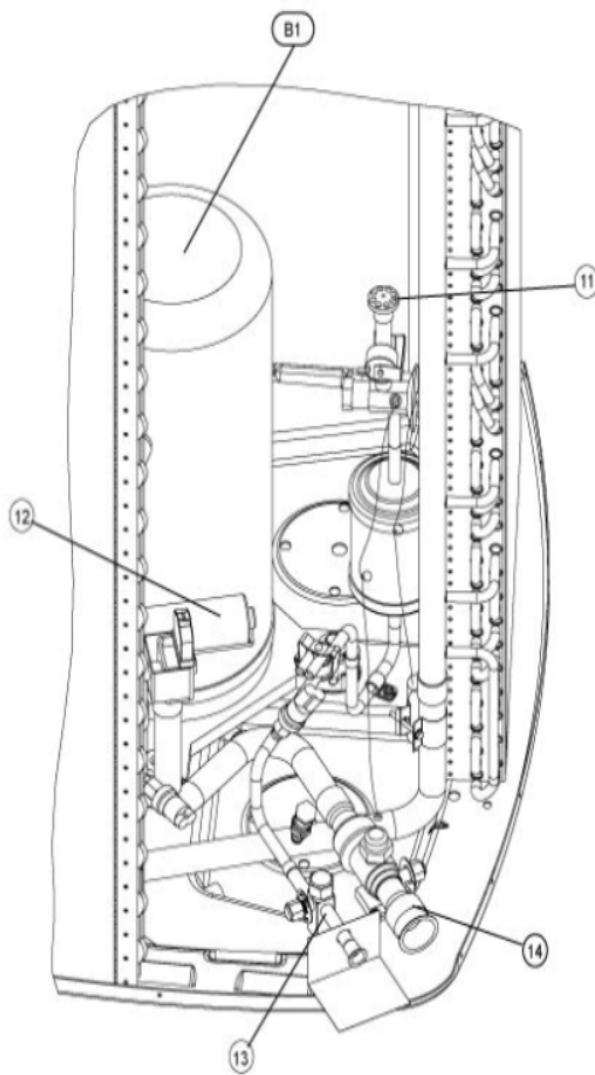


### SPB SERIES



SPB SERIES



Revision Number - 6

## CABINET PARTS

Callout	Name	Quantity	Description
	LEG Cat #: 29W57 Model/Part #: 101262-01	4	BASE
	PATCH PLATE (QUARTZ GRAY) Cat #: 28W62 Model/Part #: 28W62	1	LB-93297G-PP PATCH PLATE
	COVER Cat #: 69J03 Model/Part #: 69J0301	1	SOUND- COMPRESSOR (OPTIONAL)
	PANEL Cat #: 85M97 Model/Part #: LB-107754-36	1	4 LOUVER
	PANEL Cat #: 86M07 Model/Part #: LB-107756-36	1	6 LOUVER
	PANEL Cat #: 86M17 Model/Part #: LB-107758-36	1	8 LOUVER
1	TOP-PARAGON-METAL-MEDIUM Cat #: 55W15 Model/Part #: 603135-01G	1	TOP-PARAGON- METAL-MEDIUM
2	GRILLE-DISCHARGE Cat #: 97M69 Model/Part #: 100062-02	1	GRILLE (DISCHARGE)
3	PANEL-FRONT Cat #: 86M02 Model/Part #: LB-107755-36	1	5 LOUVER
3	COVER-CONTROL BOX Cat #: 97M72 Model/Part #: LB-108273	1	COVER-CONTROL BOX (MEDIUM)
4	CORNER POST Cat #: 85M77 Model/Part #: LB-107737-36	2	FRONT
5	NUT-CAP Cat #: 85M56 Model/Part #: 100094-01	4	MOTOR
5	CORNER POST Cat #: 85M82 Model/Part #: LB-107738-36	1	REAR

## CONTROL PANEL PARTS

Callout	Name	Quantity	Description
	HARNESS-WIRING Cat #: 86M37 Model/Part #: 100134-01	1	"DEFROST BOARDW/RT13, 21, & 28 SENSORS"
A108	CONTROL-DEFROST Cat #: 42W04 Model/Part #: 100135-05	1	BOARD-PRINTED CIRCUIT DEFROST CONTROL
C1	CAPACITOR-RUN Cat #: 22W80 Model/Part #: 100600-03	1	"10MFD,370VAC"
K1	CONTACTOR Cat #: 95M57 Model/Part #: 100438-03	1	"3PDT,24V"

## COOLING PARTS

Callout	Name	Quantity	Description
	RELAY-OVERLOADCOMP-INTERNAL Cat #: Model/Part #:	1	
	CORE-VALVE Cat #: 95M48 Model/Part #: 100210-01	2	CORE - VALVE
	DRIER Cat #: 95M51 Model/Part #: 100215-04	1	LIQUID LINE (FOOTNOTE 1)
	HARNESS-WIRING Cat #: 16W51 Model/Part #: 100273-04	1	HARNESS - WIRING: REVERSING VALVE 26 in.
	MUFFLER Cat #: 17W04 Model/Part #: 100304-01	1	MUFFLER
	VALVE-EXPANSION Cat #: 33W85 Model/Part #: 100481-15	1	W/CHECK VALVE
	FITTING-PRESS TAP Cat #: 95M46 Model/Part #: 100519-01	1	SUCTION PORT
	FITTING-PRESS TAP Cat #: 95M47 Model/Part #: 100520-01	2	FITTING PRESSURE TAP (BRASS)
	HARNESS-COMPRESSOR Cat #: 15M36 Model/Part #: 15M3601	1	MOLDED PLUG-POWER

<b>Callout</b>	<b>Name</b>	<b>Quantity</b>	<b>Description</b>
	HARNES-COMP Cat #: 49M73 Model/Part #: 49M7301	1	MOLDED PLUG FOR 2ND STAGE
	DRIER Cat #: 88K45 Model/Part #: 88K4501	1	SUCTION LINE (OPTIONAL)
	MOUNT PKG-COMP Cat #: 54M63 Model/Part #: LB-106528	1	MOUNT PKG-COMP
10	COIL-OUTDOOR Cat #: 59W17 Model/Part #: LB-110823AA	1	W/MANIFOLD
11	DISTRIBUTOR Cat #: 23W79 Model/Part #: 101081-08	1	W/TUBES
12	VALVE-REVERSING Cat #: 42W59 Model/Part #: 100145-09	1	W/SOLENOID
13	VALVE-SERVICE Cat #: 10W32 Model/Part #: 100432-01	1	"LIQUID LINE, 3/8""
14	VALVE-SERVICE Cat #: 31W73 Model/Part #: 100609-02	1	VALVE-BALL 7/8 X 7/8
15	FAN Cat #: 98M21 Model/Part #: 100060-10	1	"1/2""BORE,22""DIA,4 BLADE"
B1	COMPRESSOR Cat #: 23W16 Model/Part #: 100504-05	1	"2.5 TON,208- 230/60/3,COPE (FOOTNOTE 1)"
B4	MOTOR-FAN Cat #: 49W86 Model/Part #: 100483-24	1	"1/4HP, 825 RPM,208-230/60/1"
HR1	HEATER-CRANKCASE Cat #: 93M06 Model/Part #: 100499-03	1	"240 VOLT, 70 WATT"
L1	COIL-SOLENOID 24V Cat #: 42W18 Model/Part #: 101813-01	1	FOR REVERSING VALVE
S4	SWITCH-HI PRESS-AUTO Cat #: 86M36 Model/Part #: 100087-01	1	SWITCH-HI PRESS NO 590
S40	THERMOSTAT SPST OPEN@70°F CLOSE@50°F 40" Cat #: 95M54 Model/Part #: 100503-01	1	"CC HEATER OPEN 70F, CLOSE 50F"
S87	SWITCH-LO PRESS-AUTO Cat #: 23W26 Model/Part #: 100087-06	1	"IN 40 PSIG, OUT 25 PSIG"

**Note:**

Compressor uses POE oil. The filter drier MUST BE replaced at time of compressor change. Please advise customer of this requirement at time of order. (The filter drier is excluded from the Lennox Quality Care L imited Warranty).