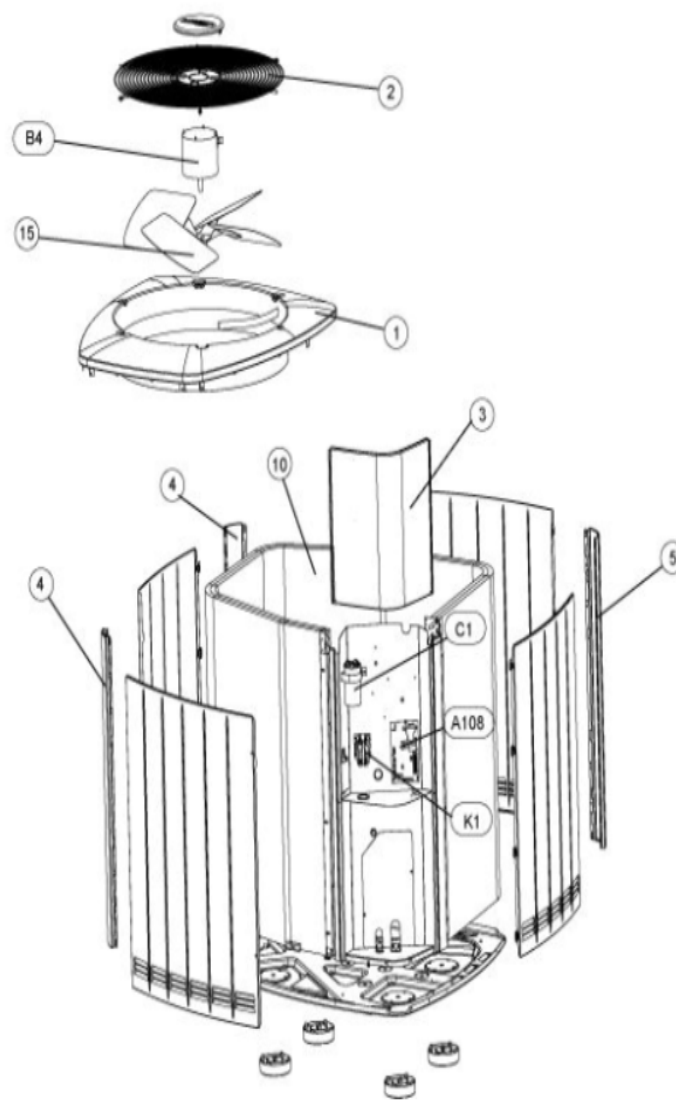
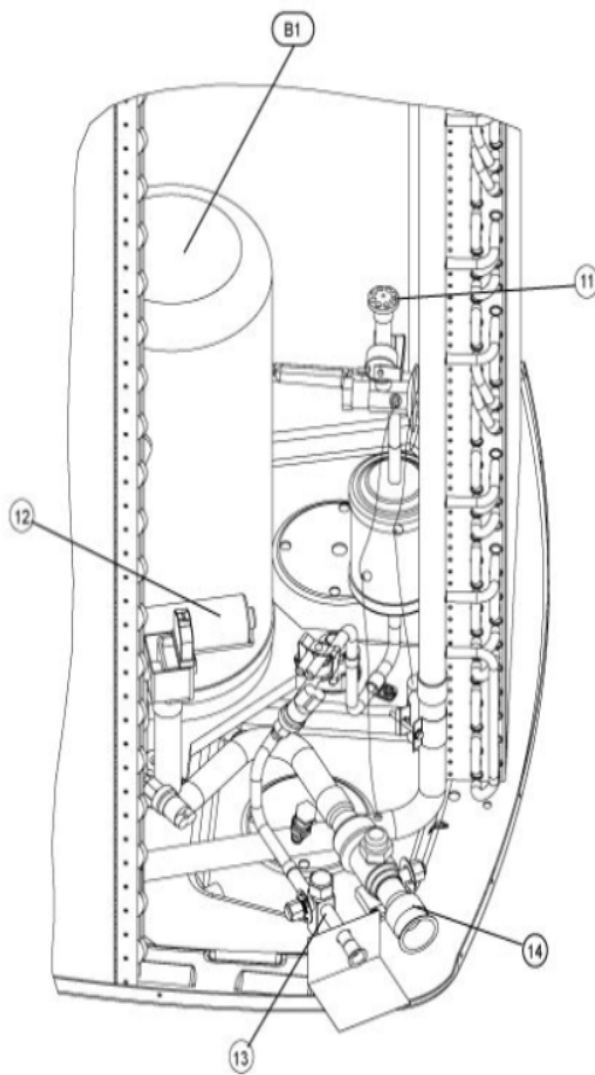


### SPB SERIES



### SPB SERIES



Revision Number - 4

## CABINET PARTS

Callout	Name	Quantity	Description
	NUT-CAP Cat #: 85M56 Model/Part #: 100094-01	4	MOTOR
	LEG Cat #: 29W57 Model/Part #: 101262-01	4	BASE
	PATCH PLATE (QUARTZ GRAY) Cat #: 28W62 Model/Part #: 28W62	1	LB-93297G-PP PATCH PLATE
	COVER Cat #: 69J03 Model/Part #: 69J0301	1	SOUND- COMPRESSOR (OPTIONAL)
	PANEL Cat #: 85M96 Model/Part #: LB-107754-32	1	4 LOUVER
	PANEL Cat #: 86M01 Model/Part #: LB-107755-32	1	5 LOUVER
	PANEL Cat #: 86M06 Model/Part #: LB-107756-32	1	6 LOUVER
	PANEL Cat #: 86M16 Model/Part #: LB-107758-32	1	8 LOUVER
1	PANEL-TOP Cat #: 97M71 Model/Part #: LB-107684	1	PANEL - TOP (MEDIUM)
2	GRILLE-DISCHARGE Cat #: 97M69 Model/Part #: 100062-02	1	GRILLE (DISCHARGE)
3	COVER-CONTROL BOX Cat #: 97M72 Model/Part #: LB-108273	1	COVER-CONTROL BOX (MEDIUM)
4	CORNER POST Cat #: 85M76 Model/Part #: LB-107737-32	2	FRONT
5	CORNER POST Cat #: 85M81 Model/Part #: LB-107738-32	1	REAR

## CONTROL PANEL PARTS

Callout	Name	Quantity	Description
	HARNES-WIRING Cat #: 86M37 Model/Part #: 100134-01	1	"DEFROST BOARD W/RT13, 21, & 28 SENSORS
A108	CONTROL-DEFROST Cat #: 42W04 Model/Part #: 100135-05	1	BOARD - PRINTED CIRCUIT
C1	CAPACITOR-FAN Cat #: 22W78 Model/Part #: 100600-01	1	"5MFD,370VAC"
K1	CONTACTOR Cat #: 95M57 Model/Part #: 100438-03	1	"3PDT,24V"

## COOLING PARTS

Callout	Name	Quantity	Description
	RELAY-OVERLOADCOMP-INTERNAL Cat #: Model/Part #:	1	
	CORE-VALVE Cat #: 95M48 Model/Part #: 100210-01	2	CORE - VALVE
	DRIER Cat #: 95M51 Model/Part #: 100215-04	1	LIQUID LINE (FOOTNOTE 1)
	HARNES-WIRING Cat #: 95M44 Model/Part #: 100273-03	1	FOR RANCO SOLENOID COIL
	HARNES-WIRING Cat #: 42W62 Model/Part #: 100273-07	1	FOR SANHUA SOLENOID COIL
	VALVE-EXPANSION Cat #: 33W85 Model/Part #: 100481-15	1	W/CHECK VALVE
	FITTING-PRESS TAP Cat #: 95M46 Model/Part #: 100519-01	1	SUCTION PORT
	FITTING-PRESS TAP Cat #: 95M47 Model/Part #: 100520-01	2	FOR HI & LO PRESS SW
	HARNES-COMPRESSOR Cat #: 15M36 Model/Part #: 15M3601	1	MOLDED PLUG- POWER
	HARNES-COMP Cat #: 49M73 Model/Part #: 49M7301	1	MOLDED PLUG FOR 2ND STAGE

<b>Callout</b>	<b>Name</b>	<b>Quantity</b>	<b>Description</b>
	MOUNT PKG-COMP Cat #: 54M63 Model/Part #: 54M63	1	LB-106528 COMPRESSOR MTG KIT
	MUFFLER Cat #: 74H69 Model/Part #: 74H6901	1	MUFFLER-COPPER- 1/2"ID
	DRIER Cat #: 88K45 Model/Part #: 88K4501	1	SUCTION LINE (OPTIONAL)
10	COIL-OUTDOOR Cat #: 95M88 Model/Part #: LB-110823G	1	W/MANIFOLD
11	DISTRIBUTOR Cat #: 23W86 Model/Part #: 101081-15	1	W/TUBES
12	VALVE-REVERSING Cat #: 49W62 Model/Part #: 603113-01	1	"REPLACEMENT KIT W/VALVE, SOLENOID COI
13	VALVE-SERVICE Cat #: 10W32 Model/Part #: 100432-01	1	"LIQUID LINE, 3/8""
14	VALVE-SERVICE Cat #: 22W71 Model/Part #: 100432-03	1	"SUCTION LINE, 7/8""
15	FAN Cat #: 10W78 Model/Part #: 100060-13	1	"1/2""BORE,22""DIA,4 BLADE"
B1	COMPRESSOR Cat #: 23W16 Model/Part #: 100504-05	1	"2.5 TON,208- 230/60/3,COPE (FOOTNOTE 1
B4	MOTOR-FAN Cat #: 98M36 Model/Part #: 100483-11	1	"1/6HP, 825 RPM,208-230/60/1"
HR1	HEATER-CRANKCASE Cat #: 93M06 Model/Part #: 100499-03	1	"240 VOLT, 70 WATT"
L1	COIL-SOLENOID Cat #: 49W65 Model/Part #: 603114-01	1	"REPLACEMENT KIT W/ SOLENOID COIL AND H
S4	SWITCH-HI PRESS-AUTO Cat #: 86M36 Model/Part #: 100087-01	1	CUTOUT 590 PSIG
S40	THERMOSTAT SPST OPEN@70°F CLOSE@50°F 40" Cat #: 95M54 Model/Part #: 100503-01	1	"CC HEATER OPEN 70F, CLOSE 50F"

Callout	Name	Quantity	Description
S87	SWITCH-LO PRESS-AUTO Cat #: 23W26 Model/Part #: 100087-06	1	"IN 40 PSIG, OUT 25 PSIG"

**Note:**

URGENT: Charging HFC-410A Refrigerant Heat Pumps in Heating or Cooling Modes. Created by: HP-07-4 Date: 27-Dec-07 Note1: Compressor uses POE oil. The filter drier MUST BE replaced at time of compressor change. Please advise customer of this requirement at time of order. (The filter drier is excluded from the Lennox Quality Care Limited Warranty).