

1. T-Handle Mini Ball Valve (F x M)
 2. T-Handle Mini Ball Valve (F x F)
 3. Lever Handle Mini Ball Valve

Description & Features:

- An economical isolation valve for pressure gauges and transmitters
- CRN registered
- 1 year warranty

Applications:

- Provides flow control for non-corrosive applications

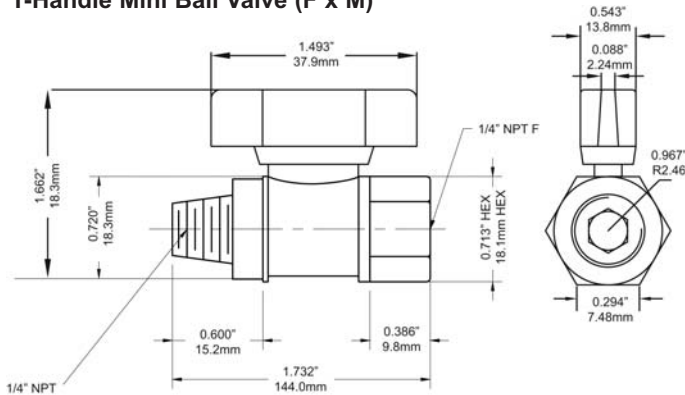
Specifications	
Body	#59-1 forged brass
Ball	SS
Gaskets	Teflon®
Handle	Steel, plated, plastic covered
Process Temperature	-9°F to 212°F (-23°C to 100°C)
Maximum Operating Pressure	400 psi (2,758 kPa)
Connection	1/4" NPT Female x 1/4" NPT Male 1/4" NPT Female x 1/4" NPT Female

Order Codes (products in bold are normally in stock)

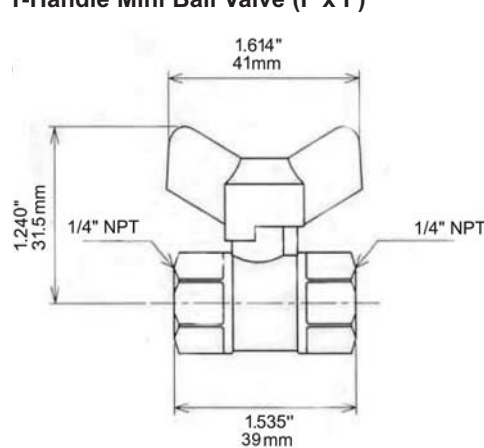
Connection	T-Handle	Lever Handle
F x M	SMV532	SMV500
F x F	SMV533	-

Note: Other sizes and materials available upon request.

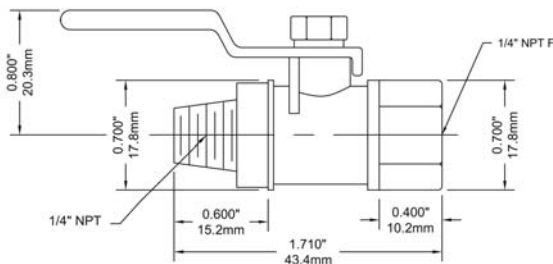
T-Handle Mini Ball Valve (F x M)



T-Handle Mini Ball Valve (F x F)



Lever Handle Mini Ball Valve



Teflon® is a registered trademark of Dupont Corporation