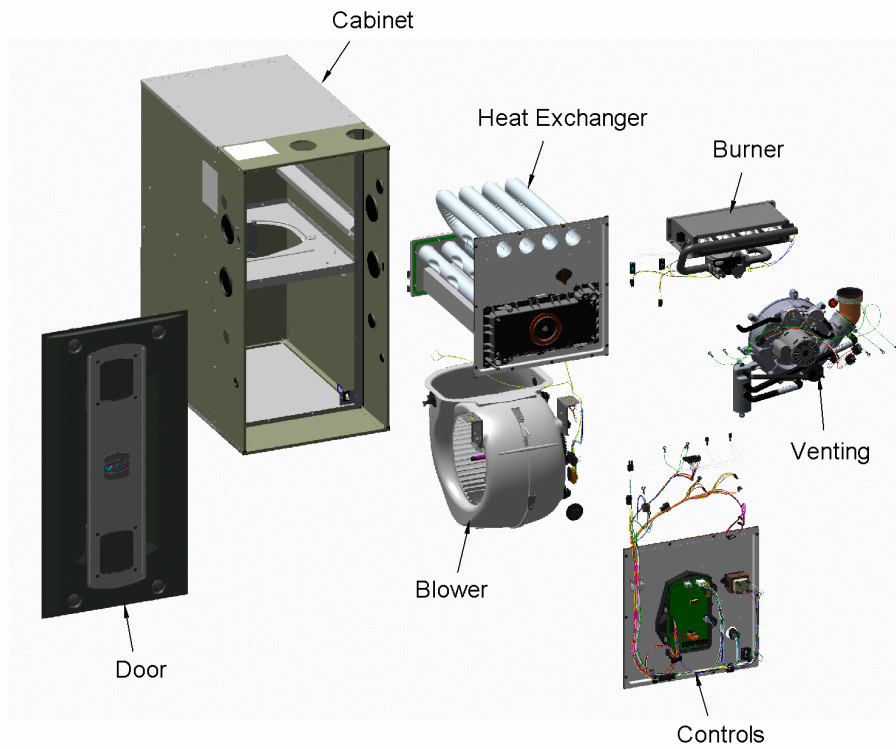


S-SERIES FURNACE

75011112

REV.
A

Upflow



This is a typical illustration. The unit in the field may not appear exactly as shown.

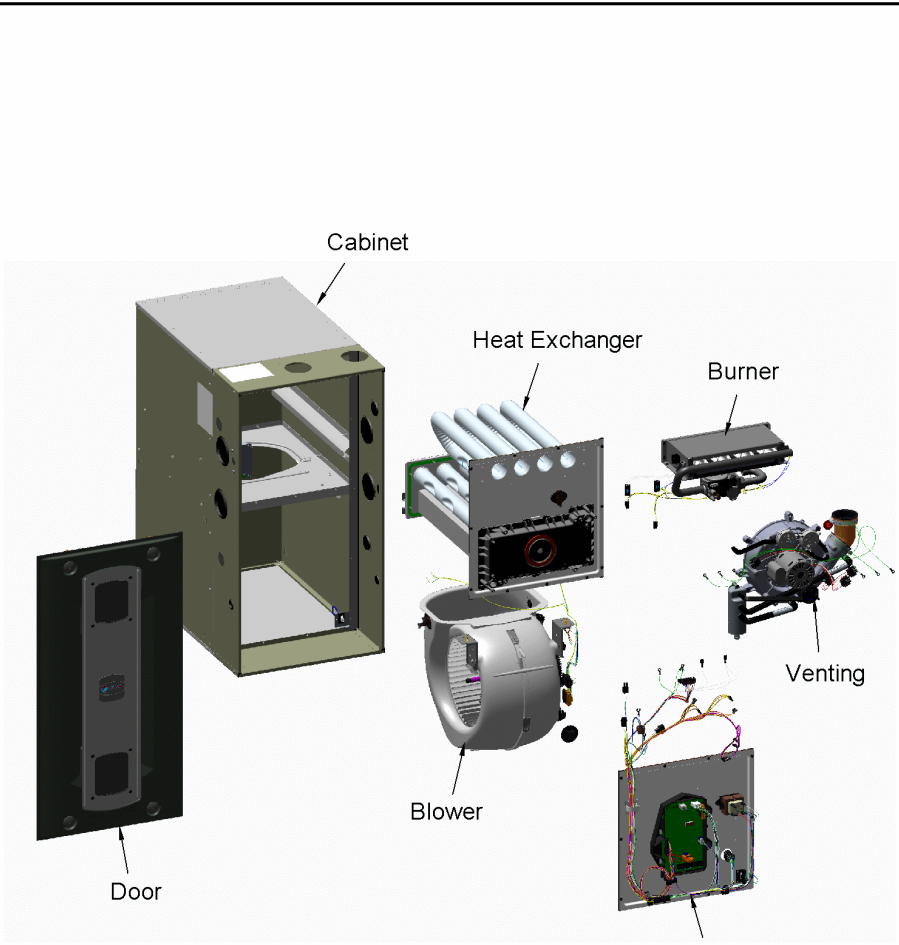
Part No.	Reference No.	Quantity	Description
75011091#S9V2UP1~S	*		BLOWER
75011113#S9V2UP1~S	*		BURNER
75010934#S9V2UP1~S	*		CABINET
75010935#S9V2UP1~S	*		CONTROLS
75011003#S9V2UP1~S	*		FRONT DOOR PANEL
75011114#S9V2UP1~S	*		HEAT EXCHANGER
75011115#S9V2UP1~S	*		INDUCER & VENTING
75011116#S9V2UP1~S	*		MODEL NUMBER DESCRIPTION
S9V2ACCY#S9V2UP1~S	*		OPTIONAL ACCESSORIES
75011112_S9V2UP1_191255~P	*		S-SERIES FURNACE PARTS LIST
75011131#S9V2UP1~S	*		SHIP WITH PARTS

S-SERIES FURNACE

75011112

REV.
A

Upflow

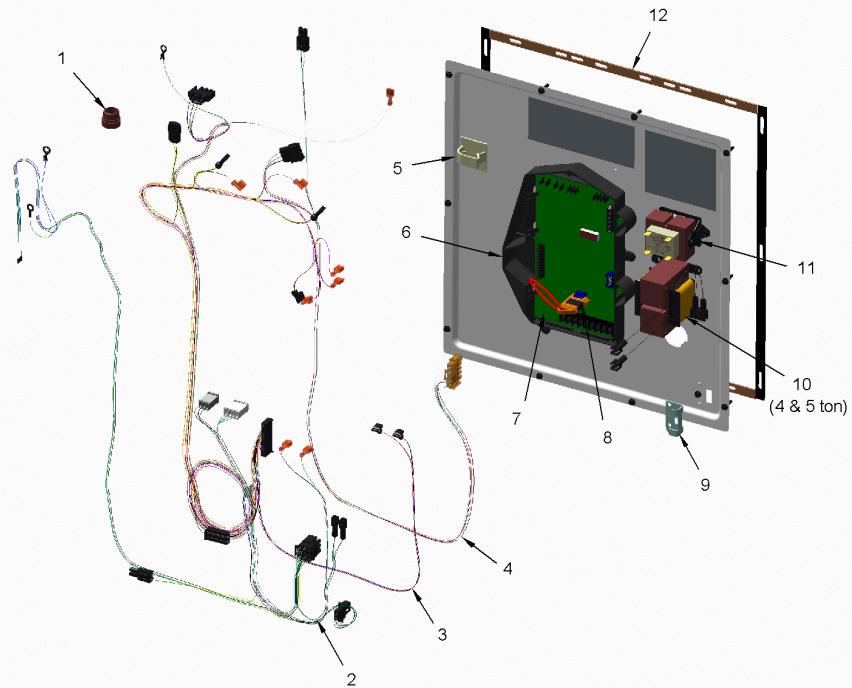


This is a typical illustration. The unit in the field may not appear exactly as shown.

CONTROLS

75010935

REV.
A



This is a typical illustration. The unit in the field may not appear exactly as shown.

CONTROLS

Parts List Number :75011112#S9V2UP1

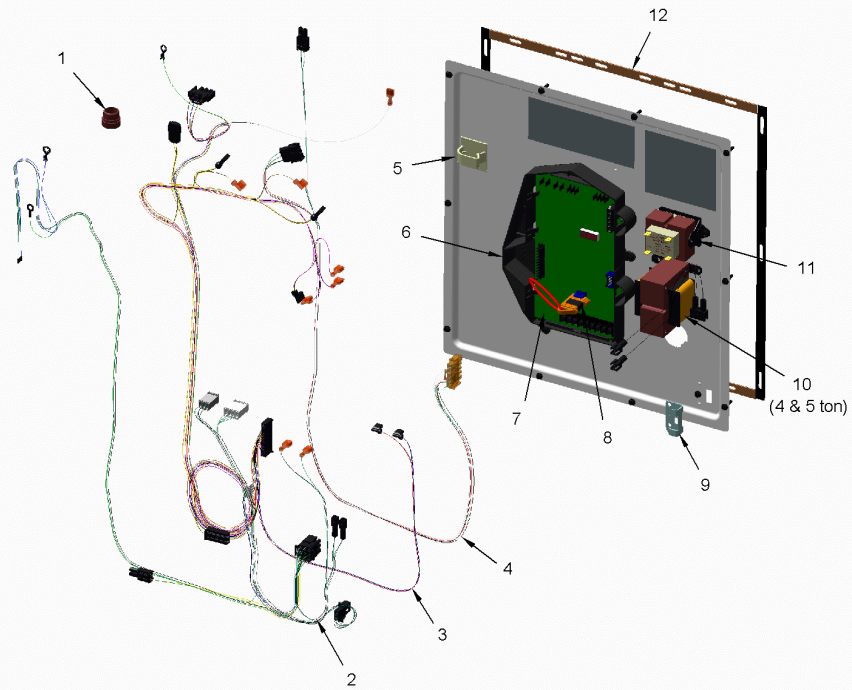
Model Number :S9V2D120U5PSAAA

Part No.	Reference No.	Quantity	Description
75010935_S9V2UP1_262105~P	*		CONTROLS PARTS LIST

CONTROLS

75010935

REV.
A



This is a typical illustration. The unit in the field may not appear exactly as shown.

Part No.	Reference No.	Quantity	Description
BUS00300	1	1	BUSHING; STRAIN RELIEF
WIR07904	2	1	WIRE; HARNESS, POWER, UPFLOW (BLK, WHT, BLU, GRN/YL, GRN, YEL WIRES)
WIR07909	3	1	WIRE; HARNESS; CONTROLS, UPFLOW (PUR, BLU, YEL, RED, BRN, GRN, ORG, WHT WIRES)
WIR07913	4	1	WIRE; HARNESS, BLOWER INDUCER/IGNITER, UPFLOW (BLK, RED, WHT WIRES)
MNT02457	5	1	MOUNT; WIRE HARNESS, MCLIP-BEVEL ENTRY, MOLDED, 1.49 X 1.46 X 0.89, 6/6 NYLON WITH FOAM ADHESIVE TAPE
SHD00588	6	1	SHIELD; RAIN, FOR IFC CONTROL, 10.02 X 7.02 X 1.12
CNT07114	7	1	CONTROL; W/O IFC, RELEASE 2 STAGE FURNACE CONTROL
MOD01574	8	1	MODULE; TO ORDER-SEE EXT NOTE
BRK02173	9	1	BRACKET; INNER BLOWER DOOR DISCONNECT SWITCH
TRR02737	10	1	TRANSFORMER; CHOKE LINE, 12 AMPS RMS AC, 600V
TRR02736	11	1	TRANSFORMER; 115V-24V, 35VA, 60 HZ, CLASS 2
GKT04786	12	1	GASKET; VESTIBULE GASKETS, ONE SIZE FITS ALL - TRIM TO FIT

OPTIONAL ACCESSORIES

Parts List Number :75011112#S9V2UP1

Model Number :S9V2D120U5PSAAA

Part No.	Reference No.	Quantity	Description
S9V2ACCY_S9V2UP1_191274-P	*		OPTIONAL ACCESSORIES PARTS LIST

NO GRAPHIC AVAILABLE

75013702

REV
A

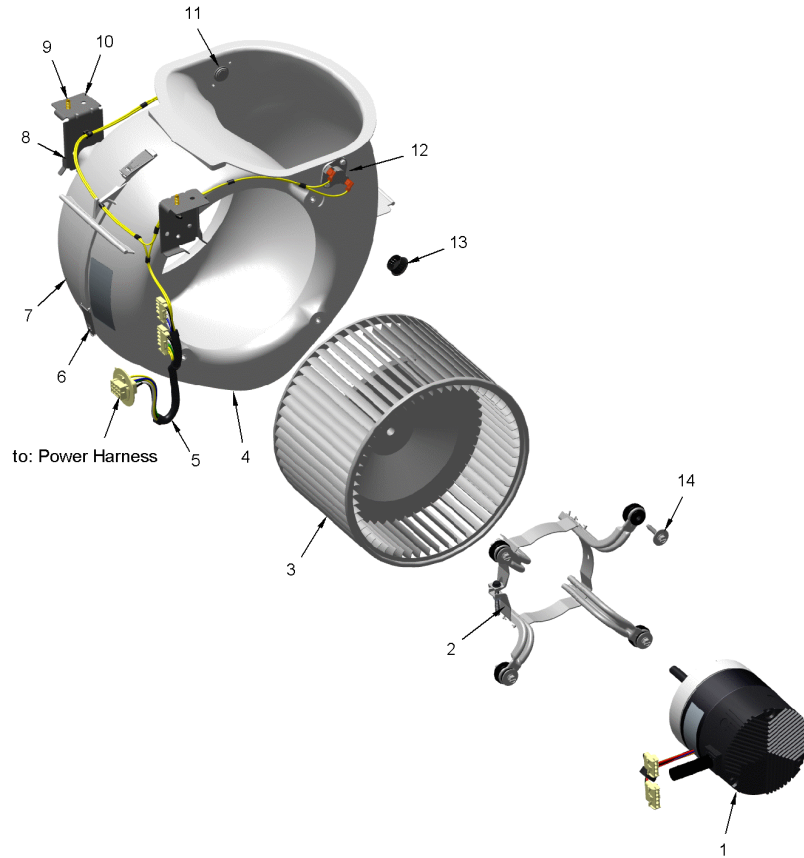
**NO
GRAPHIC
AVAILABLE**

Part No.	Reference No.	Quantity	Description
BAYAIR30AVENTA	*	1	VENT; CONCENTRIC VENT KIT, (BAYAIR30AVENTAA)
BAYAIR30CNVENT	*	1	KIT-CONCENTRIC-VENT-CANADA
BAYLPSS400A	*	1	KIT; LP CONVERSION KIT W/ (6) STAINLESS STEEL BURNERS, SEN02662, KIT01495 & KIT07611
BAYVENT200B	*	1	KIT; SIDE WALL VENT ASSEMBLY
BAYVENTCN200B	*	1	KIT-VENT-SIDE-WALL-CANADA

BLOWER

75011091

RB
B



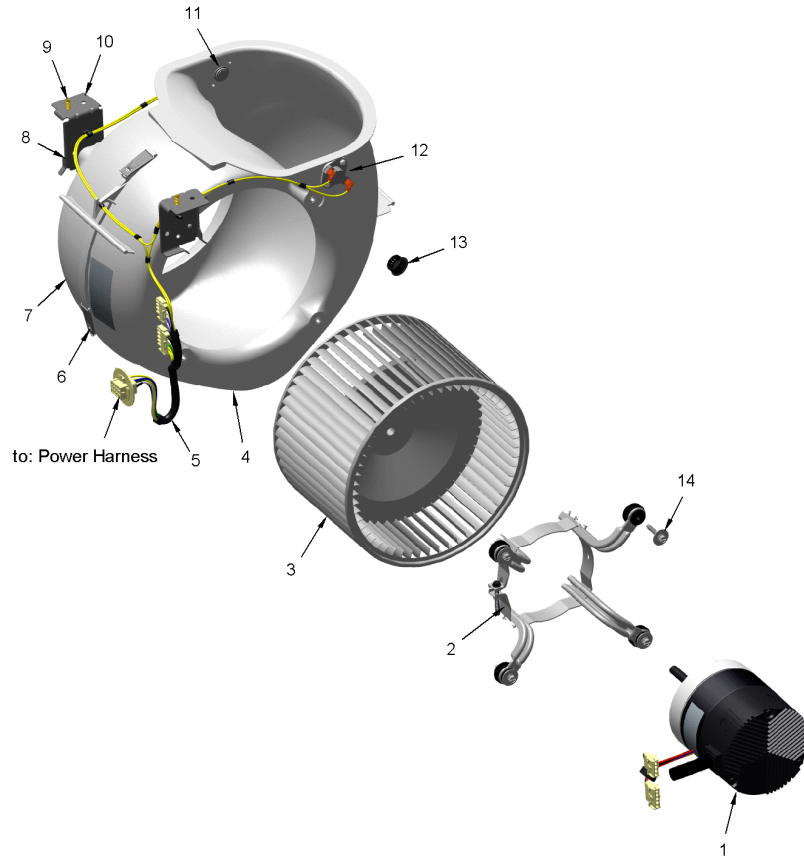
This is a typical illustration. The unit in the field may not appear exactly as shown.

Part No.	Reference No.	Quantity	Description
75011091_S9V2UP1_238119~P	*		BLOWER PARTS LIST

BLOWER

75011091

RB
B



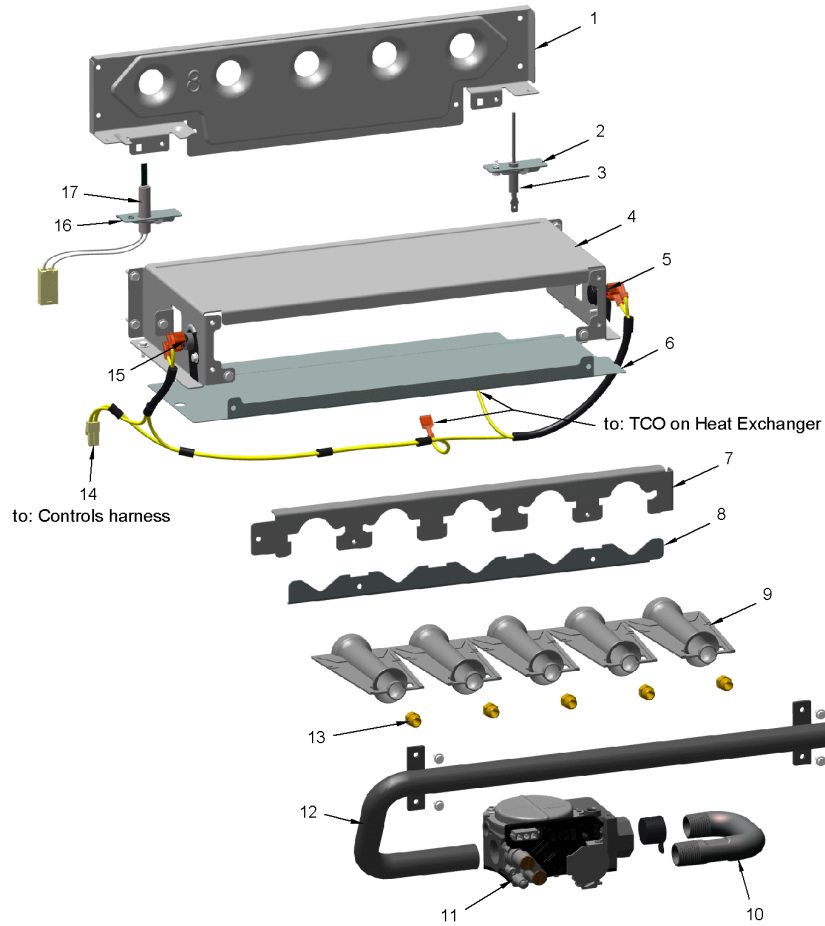
This is a typical illustration. The unit in the field may not appear exactly as shown.

Part No.	Reference No.	Quantity	Description
BLW01413	*	1	BLOWER; ASSEMBLY-COMPLETE (ECM MOTOR, HOUSING, WHEEL, BELLY BAND, REVERSE FLOW SWITCHES)
MOT16958	1	1	MOTOR; VARIABLE SPEED, 1.0 HP, AC120V, 1200 RPM
BLT01015	2	1	BOLT; BELLY BAND, 1/4-20 UNC-2B, 3/8 HEX WASHER HEAD
BND00917	2	1	BAND; BELLY BAND ASSEMBLY, INCLUDES BAND, MOTOR LEGS, MOUNTING HARDWARE
WHL03316	3	1	WHEEL; BLOWER, 11.93 OD DIA, 10.68 WIDTH, 0.50 IN BORE, CW
HUS04194	4	1	HOUSING; BLOWER, MOLDED HALF, RIGHT SIDE, 18.24 X 15.37 X 8.92
WIR07896	5	1	WIRE; HARNESS, 9-PIN-ECM MOTOR [FOR BAA & BBA MODELS USE 12-PIN WIR08824] (BLU,WHT,BLK,GRN,YEL WIRES)
CLP01123	6	4	CLIP; CLEAT-BLOWER
HUS04195	7	1	HOUSING; BLOWER, MOLDED HALF, LEFT SIDE, 18.24 X 15.37 X 8.79
SCR02471	8	1	SCREW; 1/4-20 UNC-2B, 3/8 HEX WASHER HEAD
SCR01011	9	2	SCREW; 1/4-20 C HXW 5/8 S N
BRK04573	10	2	BRACKET; BLOWER DECK MOUNT, 3.78 X 2.51 X 2.19
SWT03982	11	1	SWITCH; REVERSE FLOW, OPEN AT 105F, CLOSE AT 95F
SWT01649	12	1	SWITCH; REVERSE AIRFLOW, OPEN 105F, CLOSE 95F, 120/240V, 1/4QC TERM
PLU01270	13	1	PLUG; 6/6 BLACK NYLON, 1.0 MTG HOLE SIZE
SCR02112	14	4	SCREW; ASSEMBLY-MOTOR MOUNT

BURNER

75011113

RP
A



This is a typical illustration. The unit in the field may not appear exactly as shown.

Parts List Number :75011112#S9V2UP1

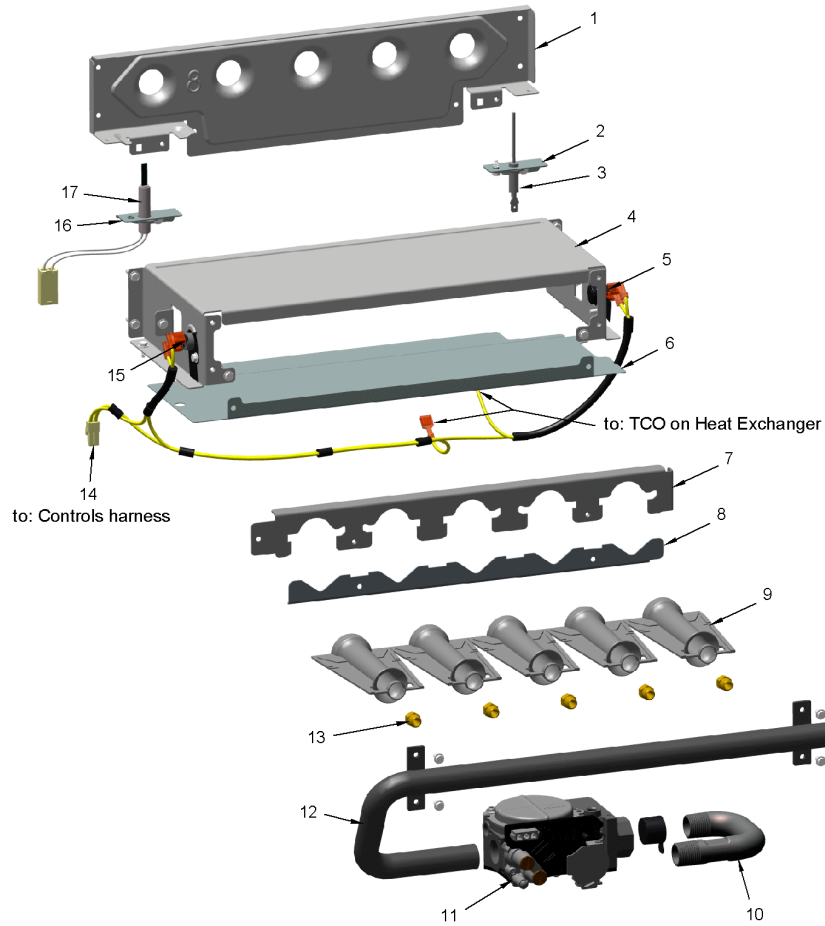
Model Number :S9V2D120U5PSAAA

Part No.	Reference No.	Quantity	Description
75011113_S9V2UP1_238120~P	*		BURNER PARTS LIST

BURNER

75011113

RP
A



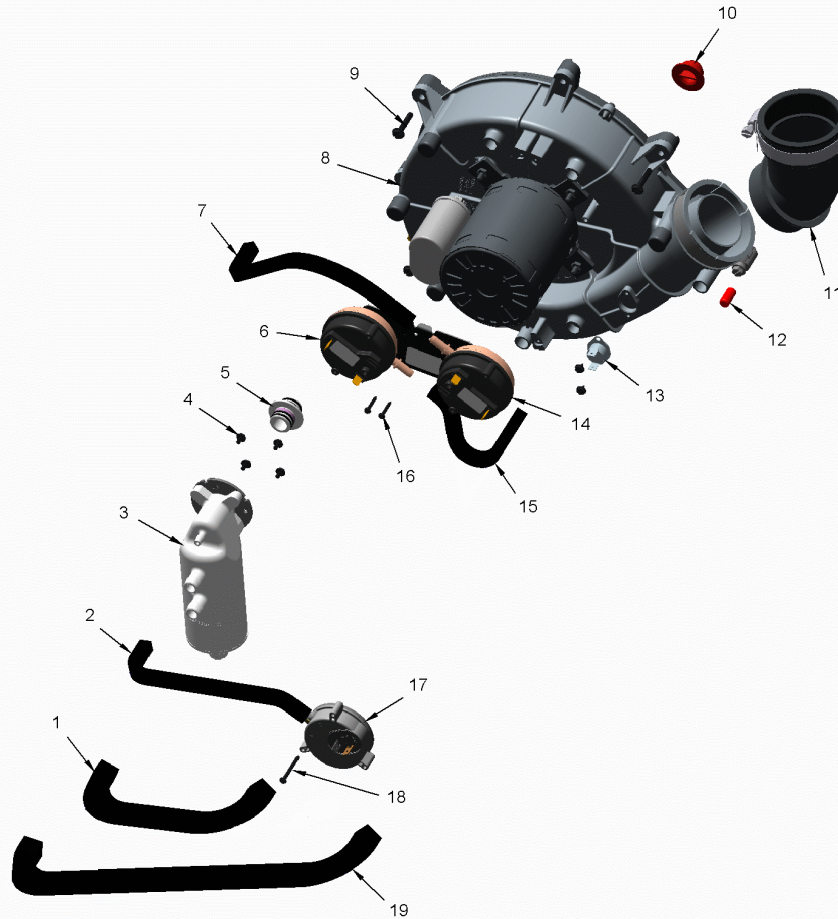
This is a typical illustration. The unit in the field may not appear exactly as shown.

Part No.	Reference No.	Quantity	Description
BRK04579	1	1	BRACKET; 6 BURNER FLAME SHAPER, 18.00 X 3.47
BRK04581	2	1	BRACKET; FLAME SENSOR, 2.063 X 0.875 X 0.456
SEN02400	3	1	SENSOR; FLAME, NIKROTHAL 80 ELECTRODE, FOR NATURAL GAS
BOX02755	4	1	BOX; BURNER, 5.74 X 18.08 X 2.63
SWT03968	5	1	SWITCH; FLAME ROLLOUT, 190F OPEN, 5.8 FLA, 34.8 LRA AT 120 VAC, 24 VAC, MAN RESET 100F, AUTO RESET -31F, FIXED TEMP THERMOSTAT AND NON-ADJ
PLT05662	6	1	PLATE; 6 BURNER, 18.08 X 5.61
HLD00629	7	1	HOLDER; 6 BURNER, 17.625 X 1.531
CMP01469	8	1	CLAMP; BURNER-6
BNR01233	9	6	BURNER; 0.50 ID INSHOT BURNER, NATURAL GAS, STAINLESS STEEL, 2.75 X 4.50
PIP02095	10	1	PIPE; U-BEND, STEEL, 1/2-14 NPT, 3.42 X 2.00
VAL09030	11	1	VALVE; GAS, NON DIRECT VENT 2 STAGE, 1/2-14 NPT, 24V, 50/60 HZ, "J" SERIES
MFD01409	12	1	MANIFOLD; 6 HOLE
ORF01427	13	6	ORIFICE; SPUD, DRILL #45, BRASS
WIR07901	14	1	WIRE; HARNESS, 5-6 BURNERS (18 AWG YEL WIRES)
SWT03967	15	1	SWITCH; FLAME ROLLOUT, 190F OPEN, 5.8 FLA, 34.8 LRA AT 120 VAC, 24 VAC, MAN RESET 100F, AUTO RESET -31F, FIXED TEMP THERMOSTAT AND NON-ADJ
BRK04580	16	1	BRACKET; IGNITER, 2.063 X 0.875 X 0.456
IGN00152	17	1	MIN=12/12 IGNITER; SILICON-NITRIDE, 120V, INCLUDES BRACKET AND SCREWS

INDUCER & VENTING

75011115

REV.
A



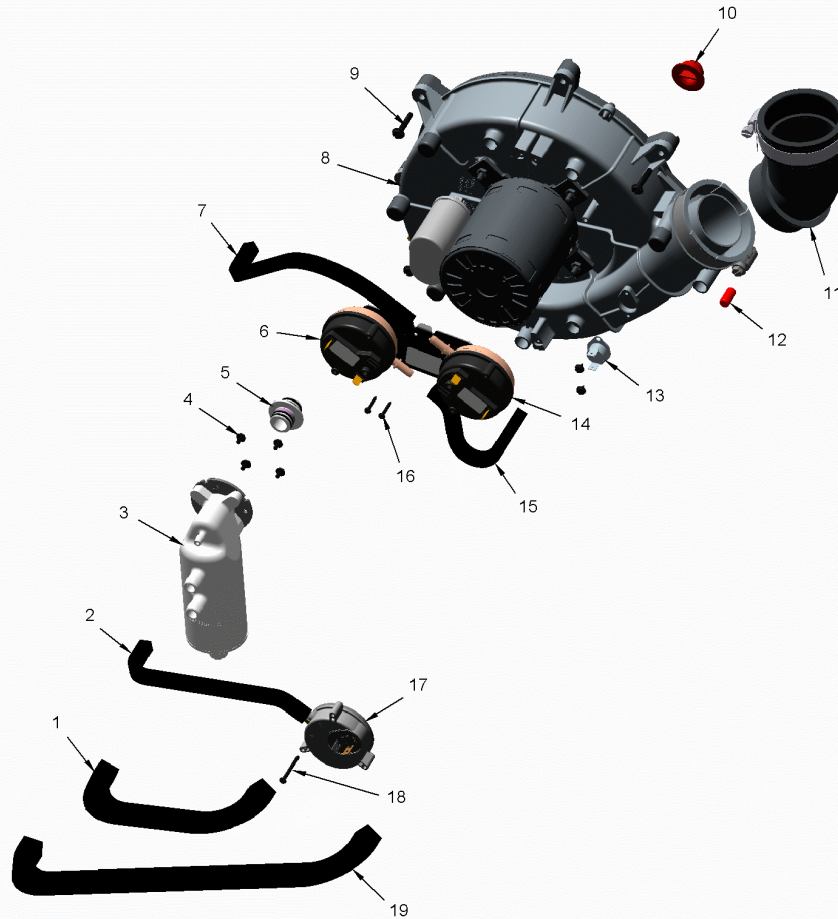
This is a typical illustration. The unit in the field may not appear exactly as shown.

Part No.	Reference No.	Quantity	Description
75011115_S9V2UP1_301810~P	*		INDUCER & VENTING PARTS LIST

INDUCER & VENTING

75011115

REV.
A



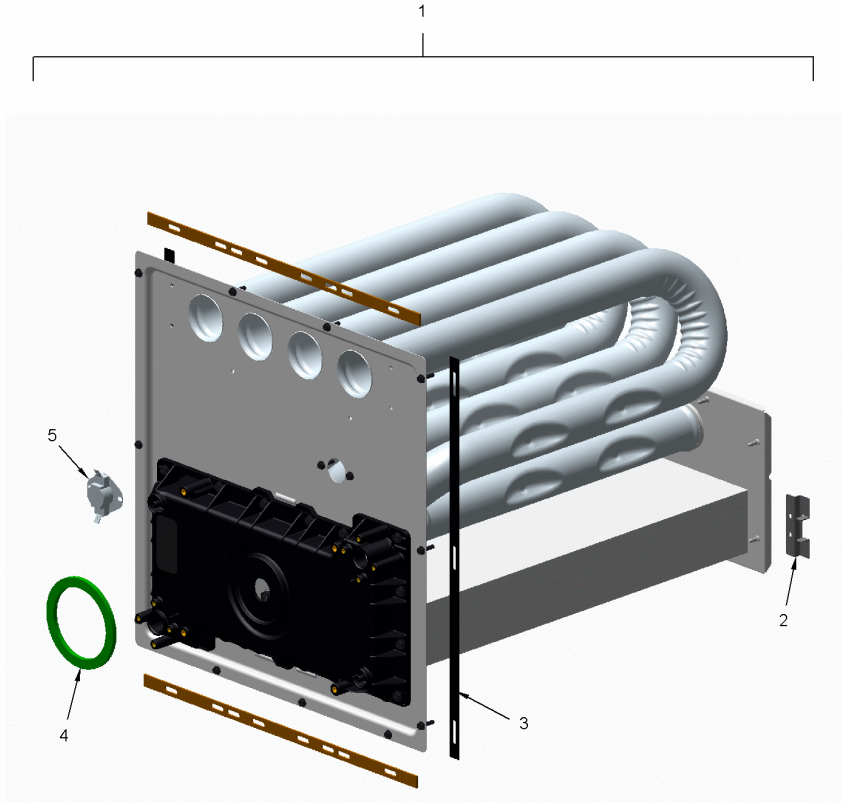
This is a typical illustration. The unit in the field may not appear exactly as shown.

Part No.	Reference No.	Quantity	Description
HSE01891	1	1	HOSE; CONDENSATE, BLACK EPDM, 11.50 L, 0.475 ID
HSE01883	2	1	HOSE; PRESSURE SWITCH, BLACK EPDM RUBBER, 0.225 ID X 19.50 L
SEP00271	3	1	SEPARATOR; ASSEMBLY-UPFLOW, INCLUDES TRAP, ADAPTERS, O-RINGS AND SCREWS
SCR02521	4	6	SCREW; 6-32 X 1/4, 1/4 HX WASHER HEAD, SLOTTED, STEEL
ADP01426	5	1	ADAPTER; PVC PLASTIC, 0.718 ID, 1.20 ID
RNG02421	5	4	RING; O-RING, 0.614 ID, EPDM RUBBER
SWT03924	6	1	SWITCH; PRESSURE, SPDT, 28VA PILOT DUTY AT 24 VAC, 125VA PILOT DUTY AT 120VAC, SNAP ACTING CONTACTS, OPR TEMP RANGE: -40 TO 190F, 0.20 DEG W.C.
HSE01884	7	1	HOSE; HIGH PRESSURE, BLACK EPDM RUBBER, 0.225 ID X 12.00 L
BLW01401	8	1	BLOWER; INDUCER, 2 STAGE, 115V, 60 HZ, 3300/2345 RPM, 5 MFD CPT AT 370 VAC, INCLUDES GASKET & SCREWS
SCR02472	9	3	SCREW; 10-32 MACHINE SCREW, 5/16 SLOTTED HEX WASHER
PLU01271	10	1	PLUG; CONDENSATE, 0.77 OD X 0.50 ID
ELL01526	11	1	ELBOW; BLACK, WITH BOOT AND CLAMP
CAP01301	12	1	CAP; PRESSURE, BLACK VINYL, 0.25 ID X 0.625 L
SWT03927	13	1	SWITCH; BLOWER INDUCER LIMIT SWITCH, 155F OPEN, 95F CLOSE
SWT03972	14	1	SWITCH; PRESSURE, SPST, 28VA PILOT DUTY AT 24 VAC, 125VA PILOT DUTY AT 125VAC, SNAP ACTING CONTACTS, OPR TEMP RANGE: -40 TO 190F, 1.20 DEG W.C.
HSE01885	15	1	HOSE; PRESSURE, 0.225 ID X 7.0 L, PS1
SCR02512	16	2	SCREW; 4-24 X 1/2, 3/16 HX WASHER HEAD, #1 PHILLIPS, TYPE AB, CLEAR ZINC PLATE
SWT03926	17	1	SWITCH; CONDENSATE, POS PRESSURE, SPST, 28VA PILOT DUTY AT 24 VAC, 125VA PILOT DUTY AT 125VAC, SNAP ACTING CONTACTS, OPERATING TEMP RANGE: -40 TO 185F
SCR02473	18	1	SCREW; 4-24 X 1, TYPE AB, 3/16 HEX WASHER, #1 PHILLIPS
HSE01888	19	1	HOSE; BLOWER INDUCER, CONDENSATE, BLACK EPDM, 18.50 L, 0.475 ID

HEAT EXCHANGER

75011114

RP
A



The Thermal Limit Switch (TCO) is not included with the Heat Exchanger.

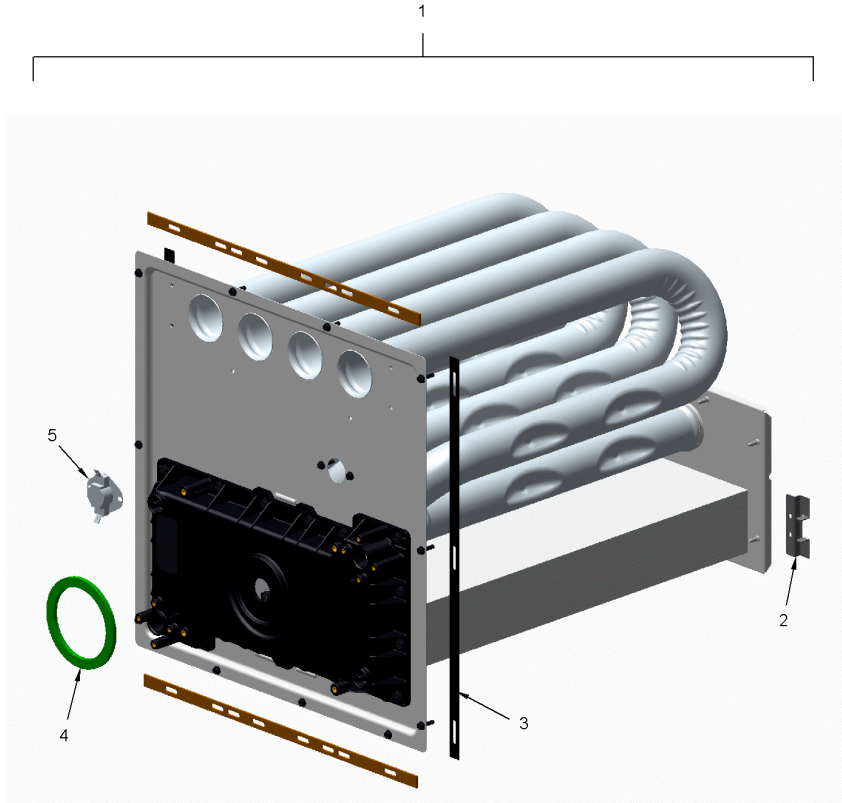
This is a typical illustration. The unit in the field may not appear exactly as shown.

Part No.	Reference No.	Quantity	Description
75011114_S9V2UP1_238121~P	*		HEAT EXCHANGER PARTS LIST

HEAT EXCHANGER

75011114

RP
A



The Thermal Limit Switch (TCO) is not included with the Heat Exchanger.

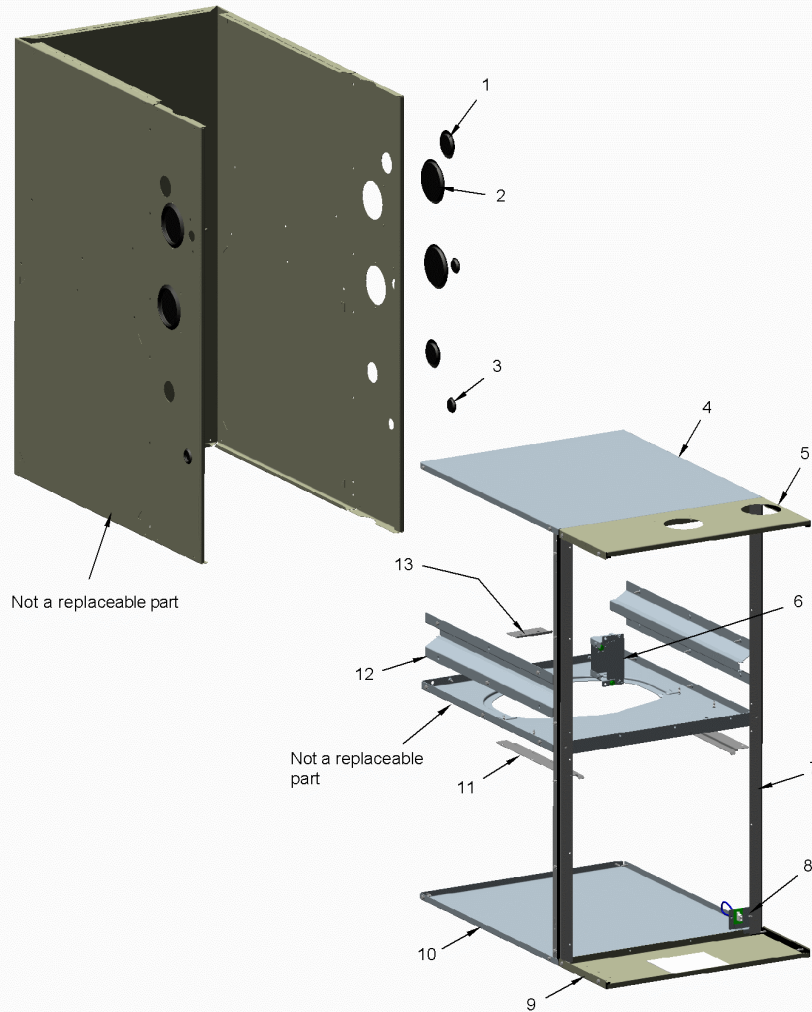
This is a typical illustration. The unit in the field may not appear exactly as shown.

Part No.	Reference No.	Quantity	Description
EXC02654	1	1	EXCHANGER; HEAT, 120 MBH
BRK04574	2	2	BRACKET; HX HOT HEADER SUPPORT, 2.50 X 1.00
GKT04786	3	1	GASKET; VESTIBULE GASKETS, ONE SIZE FITS ALL - TRIM TO FIT
GKT04780	4	1	GASKET; BLOWER INDUCER, GREEN SILICONE, 3.70 OD X 2.90 ID
SWT03940	5	1	SWITCH; THERMAL, OPEN AT 145F, CLOSE AT 115F

CABINET

75010934

REV.
A



This is a typical illustration. The unit in the field may not appear exactly as shown.

Parts List Number :75011112#S9V2UP1

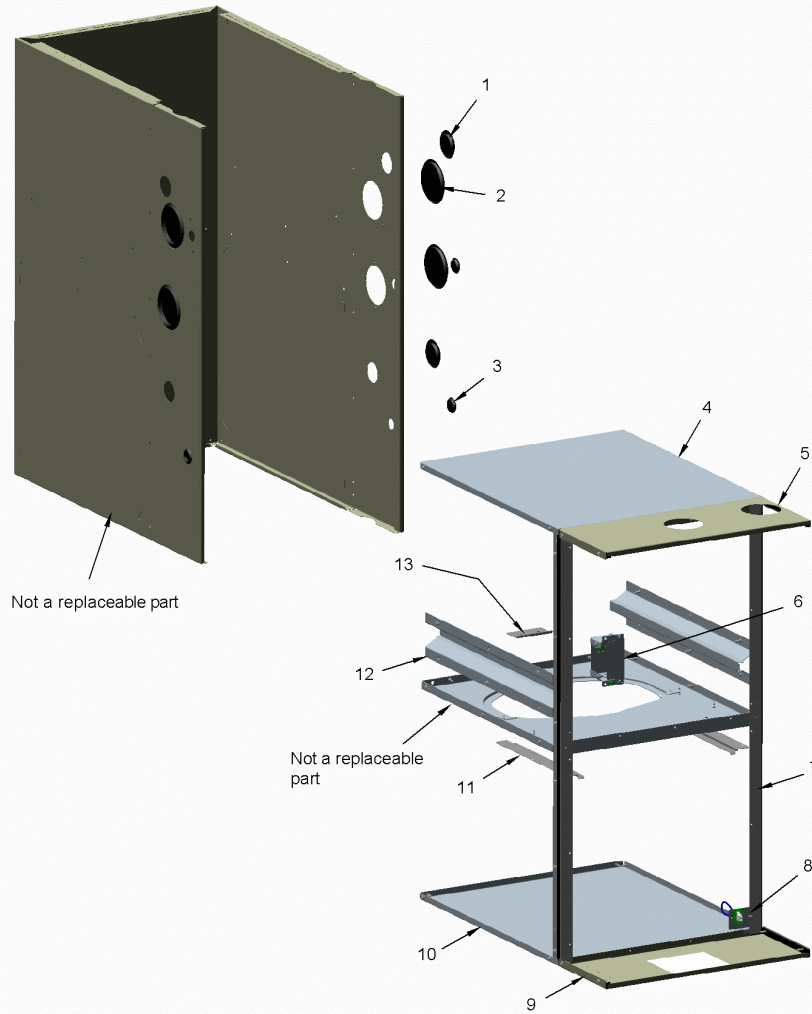
Model Number :S9V2D120U5PSAAA

Part No.	Reference No.	Quantity	Description
75010934_S9V2UP1_247659~P	*		CABINET PARTS LIST

CABINET

75010934

REV.
A



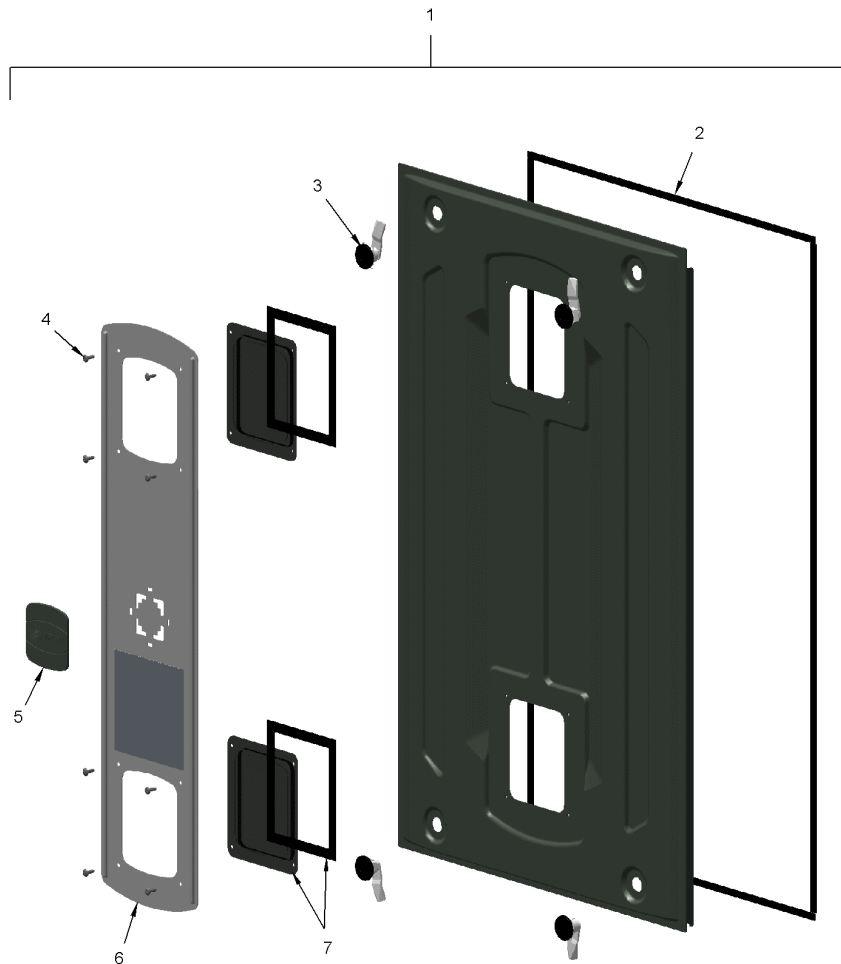
This is a typical illustration. The unit in the field may not appear exactly as shown.

Part No.	Reference No.	Quantity	Description
PAI00074	*	1	PAINT; SPRAY, SLATE GREY, FULL GLOSS(88) (SHIPPING UOM 12 OZ HAZ)
PLU01272	1	2	PLUG; GAS CONDENSATE, 1.5 INCH, BLACK PLASTIC
PLU01269	2	4	PLUG; VENTING, 3.40 OD, 2.78 ID, BLACK PLASTIC
PLU01273	3	3	PLUG; ELECTRICAL, 1.0 INCH, BLACK PLASTIC
PNL32372	4	1	PANEL; BOTTOM, 20.92 X 24.58
SUP05946	5	1	SUPPORT; CROSSMEMBER, TOP, 24.58 X 7.17
BOX02750	6	1	BOX; ASSEMBLY, JUNCTION, INCLUDES TOP, BASE, SCREWS & BUSHING
SUP05943	7	2	SUPPORT; SIDE, 33.74 X 1.07 X 1.07
BRK04571	8	1	BRACKET; ASSEMBLY. INCLUDES BOTH DOOR SWITCH BRACKETS AND 2 PIN WIRE HARNESS
WIR05160	8	1	WIRE; HARNESS, 2 PIN DF, 5 INCH BLACK WIRE
SUP05952	9	1	SUPPORT; CROSSMEMBER, BOTTOM, 24.58 X 7.17
PNL32372	10	1	PANEL; BOTTOM, 20.92 X 24.58
RAL01160	11	2	RAIL; BLOWER DECK, 10.65 X 1.64
RAL01161	12	2	RAIL; HEAT EXCHANGER, 19.15 X 3.47
RTR00985	13	1	RETAINER; BLOWER, 3.00 X 1.85

CABINET DOOR

75011003

REV.
A



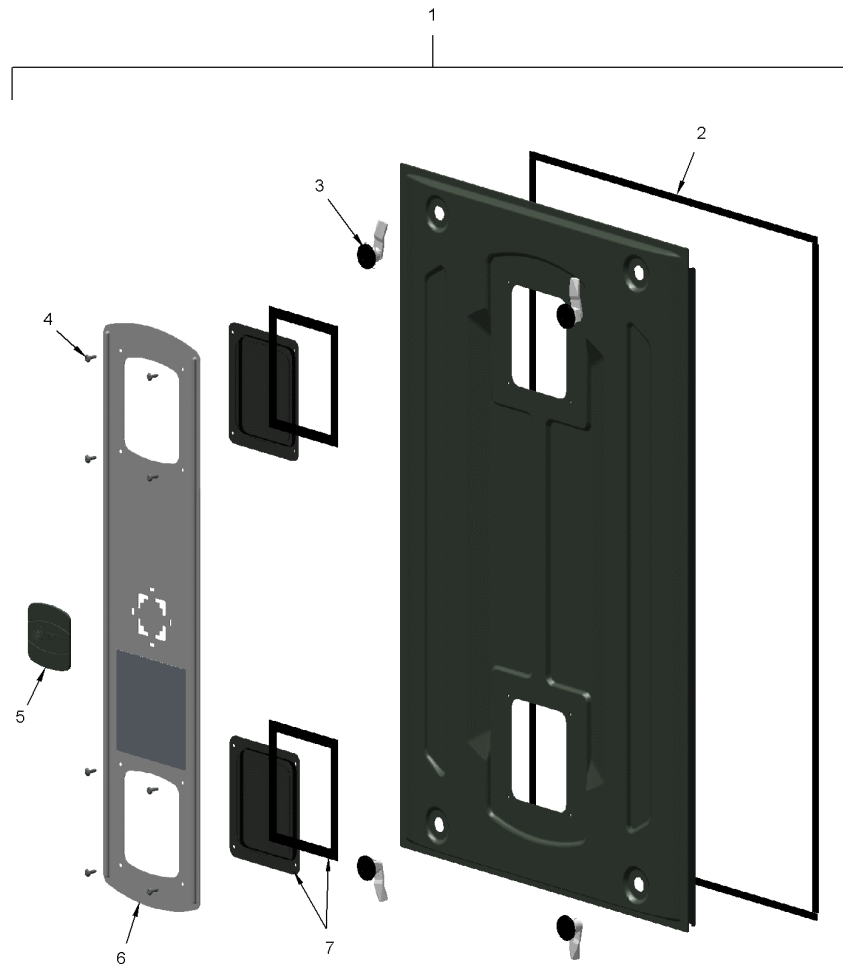
This is a typical illustration. The unit in the field may not appear exactly as shown.

Part No.	Reference No.	Quantity	Description
75011003_S9V2UP1_238117~P	*		FRONT DOOR PANEL PARTS LIST

CABINET DOOR

75011003

REV.
A



This is a typical illustration. The unit in the field may not appear exactly as shown.

Part No.	Reference No.	Quantity	Description
PAI00248	*	1	PAINT; 12 OZ SPRAY, ANTHRACITE GRAY (SHIPPING UOM 12 OZ HAZ)
DOR04271	1	1	DOOR; ASSEMBLY, INCLUDES LATCH & CLIP, SIGHT GLASS, DOOR OVERLAY, BADGES, 13.73 X 33.13
GKT04783	2	1	GASKET; DOOR GASKETS, TOP/BOTTOM X 2, SIDES X 2, ONE SIZE FITS ALL - TRIM TO FIT
LAT01007	3	4	LATCH; DOOR, STEEL, WITH GASKET
SCR02475	4	8	SCREW; 8-18, TRUSS DRIVE STYLE, TYPE B BLUNT TIP
PLT05664	5	1	PLATE; TRANE BADGE, 3.17 X 3.00
PLT05665	5	1	PLATE; AMERICAN STANDARD BADGE, 3.17 X 3.00
PLT05663	6	1	PLATE; DOOR OVERLAY, 28.77 X 7.00
GLS01089	7	1	GLASS; ASSEMBLY, INCLUDES SITE-GLASS, GASKET, 8 SCREWS

SHIP WITH PARTS

75011131

REV.
A



This is a typical illustration. The unit in the field may not appear exactly as shown.

SHIP WITH PARTS

Parts List Number :75011112#S9V2UP1

Model Number :S9V2D120U5PSAAA

Part No.	Reference No.	Quantity	Description
75011131_S9V2UP1_238123~P	*		SHIP WITH PARTS

SHIP WITH PARTS

75011131

REV.
A



This is a typical illustration. The unit in the field may not appear exactly as shown.

Part No.	Reference No.	Quantity	Description
TUB13975	1	1	TUBE; CONDENSATE DRAIN, INCLUDES CLAMPS, ADAPTER AND COUPLING
CPL00838	2	1	COUPLING; REDUCER ONLY. 2.00 TO 3.00 WHITE PVC COUPLING ADAPTER.
GRM01059	3	2	GROMMET; CONDENSATE GAS, BLACK 0.99 ID X 2.0 OD
KIT17676	4	1	KIT17676, KIT; 3 INCH INLET ADAPTOR (ADP01053) AND GASKET (GKT03082)
PLU01272	5	1	PLUG; GAS CONDENSATE, 1.5 INCH, BLACK PLASTIC
PLU01273	6	1	PLUG; ELECTRICAL, 1.0 INCH, BLACK PLASTIC
GRM01051	7	1	GROMMET; TRAP, 3.46 OD X 2.00 ID, PVC
KIT17674	8	1	KIT; OUTLET ADAPTOR WITH CLAMP AND GASKET

MODEL NUMBER DESCRIPTION S-SERIES FURNACE	75011116	RB B																
<p style="text-align: center;"><i>Example Model Number:</i> S 9 V 2 B 0 8 0 U 3 P S A A A <small>1 - - - - 5 - - - - 10 - - - - 15</small></p> <table border="0"><tr><td data-bbox="435 411 649 472">Digit 1 – Level S = Series L = 14 ng/J Ultra-Low NOx</td><td data-bbox="829 411 1019 489">Digit 11 – Inducer Type P = PSC X = CTM V = Variable Speed</td></tr><tr><td data-bbox="435 491 584 552">Digit 2 – AFUE 8 = 80% 9 = 90% or higher</td><td data-bbox="829 506 1125 625">Digit 12 – Communicating capability S = 24 Volt C = Communicating System Control T = 24 Volt, 40ng/J NOx D = Communicating System Control, 40ng/J NOx</td></tr><tr><td data-bbox="435 569 756 667">Digit 3 – Blower Type B = Builder Series (May be PSC or CTM) P = PSC X = CTM V = Variable Speed</td><td data-bbox="829 644 1084 667">Digit 13 – Major Design Change</td></tr><tr><td data-bbox="435 686 649 764">Digit 4 – Gas Valve Stages 1 = SingleStage 2 = 2 Stage M = Modulating</td><td data-bbox="829 686 1084 709">Digit 14 – Minor Design Change</td></tr><tr><td data-bbox="435 785 621 884">Digit 5 – Cabinet Width A = 14.5 wide B = 17.5 wide C = 21.0 wide D = 24.5 wide</td><td data-bbox="829 724 1084 747">Digit 15 – Service Digit Change</td></tr><tr><td data-bbox="435 905 630 940">Digits 6,7,8 – BTU input 080 = 80,000 BTUH</td><td></td></tr><tr><td data-bbox="435 961 633 1039">Digit 9 – Poise Options U = 3 way D = Dedicated Downflow M = 4 Way Poise</td><td></td></tr><tr><td data-bbox="435 1060 747 1159">Digit 10 – Airflow Capacity for Cooling 2 = 2 Tons 3 = 3 Tons 4 = 4 Tons 5 = 5 Tons</td><td></td></tr></table>			Digit 1 – Level S = Series L = 14 ng/J Ultra-Low NOx	Digit 11 – Inducer Type P = PSC X = CTM V = Variable Speed	Digit 2 – AFUE 8 = 80% 9 = 90% or higher	Digit 12 – Communicating capability S = 24 Volt C = Communicating System Control T = 24 Volt, 40ng/J NOx D = Communicating System Control, 40ng/J NOx	Digit 3 – Blower Type B = Builder Series (May be PSC or CTM) P = PSC X = CTM V = Variable Speed	Digit 13 – Major Design Change	Digit 4 – Gas Valve Stages 1 = SingleStage 2 = 2 Stage M = Modulating	Digit 14 – Minor Design Change	Digit 5 – Cabinet Width A = 14.5 wide B = 17.5 wide C = 21.0 wide D = 24.5 wide	Digit 15 – Service Digit Change	Digits 6,7,8 – BTU input 080 = 80,000 BTUH		Digit 9 – Poise Options U = 3 way D = Dedicated Downflow M = 4 Way Poise		Digit 10 – Airflow Capacity for Cooling 2 = 2 Tons 3 = 3 Tons 4 = 4 Tons 5 = 5 Tons	
Digit 1 – Level S = Series L = 14 ng/J Ultra-Low NOx	Digit 11 – Inducer Type P = PSC X = CTM V = Variable Speed																	
Digit 2 – AFUE 8 = 80% 9 = 90% or higher	Digit 12 – Communicating capability S = 24 Volt C = Communicating System Control T = 24 Volt, 40ng/J NOx D = Communicating System Control, 40ng/J NOx																	
Digit 3 – Blower Type B = Builder Series (May be PSC or CTM) P = PSC X = CTM V = Variable Speed	Digit 13 – Major Design Change																	
Digit 4 – Gas Valve Stages 1 = SingleStage 2 = 2 Stage M = Modulating	Digit 14 – Minor Design Change																	
Digit 5 – Cabinet Width A = 14.5 wide B = 17.5 wide C = 21.0 wide D = 24.5 wide	Digit 15 – Service Digit Change																	
Digits 6,7,8 – BTU input 080 = 80,000 BTUH																		
Digit 9 – Poise Options U = 3 way D = Dedicated Downflow M = 4 Way Poise																		
Digit 10 – Airflow Capacity for Cooling 2 = 2 Tons 3 = 3 Tons 4 = 4 Tons 5 = 5 Tons																		
		1 of 1																

Part No.	Reference No.	Quantity	Description
75011116_S9V2UP1_191270~P	*		MODEL NUMBER DESCRIPTION PARTS LIST

MODEL NUMBER DESCRIPTION S-SERIES FURNACE	75011116	RB B
<i>Example Model Number:</i> S 9 V 2 B 0 8 0 U 3 P S A A A <small>1 - - - - 5 - - - - 10 - - - - 15</small>		
Digit 1 – Level	Digit 11 – Inducer Type	
S = Series L = 14 ng/J Ultra-Low NOx	P = PSC X = CTM V = Variable Speed	
Digit 2 – AFUE	Digit 12 – Communicating capability	
8 = 80% 9 = 90% or higher	S = 24 Volt C = Communicating System Control T = 24 Volt, 40ng/J NOx D = Communicating System Control, 40ng/J NOx	
Digit 3 – Blower Type	Digit 13 – Major Design Change	
B = Builder Series (May be PSC or CTM) P = PSC X = CTM V = Variable Speed	Digit 14 – Minor Design Change	
Digit 4 – Gas Valve Stages	Digit 15 – Service Digit Change	
1 = SingleStage 2 = 2 Stage M = Modulating		
Digit 5 – Cabinet Width		
A = 14.5 wide B = 17.5 wide C = 21.0 wide D = 24.5 wide		
Digits 6,7,8 – BTU input		
080 = 80,000 BTUH		
Digit 9 – Poise Options		
U = 3 way D = Dedicated Downflow M = 4 Way Poise		
Digit 10 – Airflow Capacity for Cooling		
2 = 2 Tons 3 = 3 Tons 4 = 4 Tons 5 = 5 Tons		
1 of 1		

