

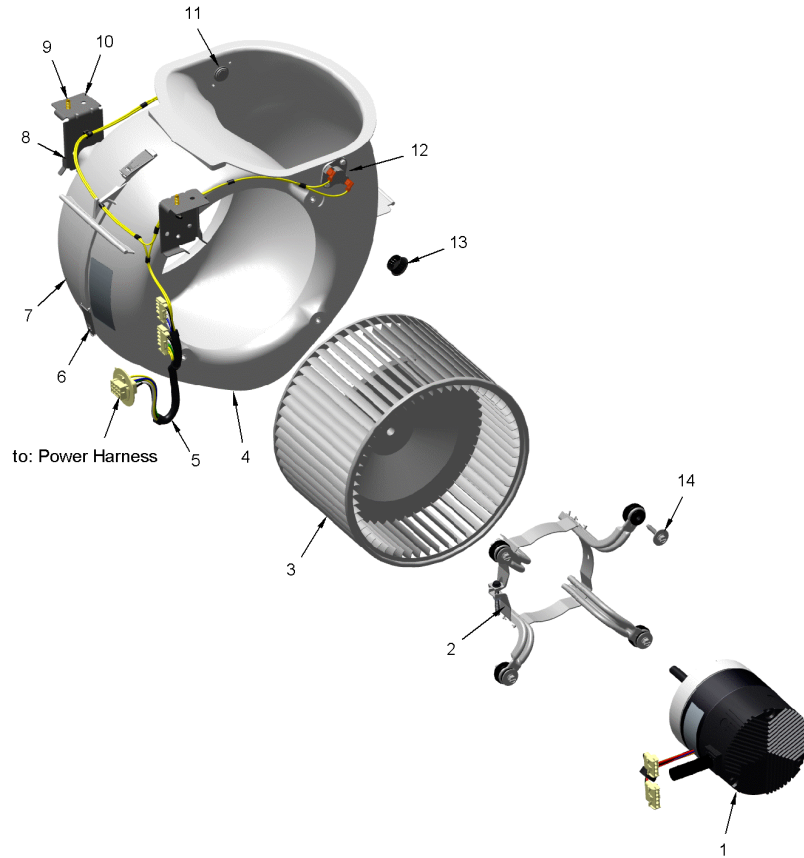
Part No.	Reference No.	Quantity	Description
0000098218~S	*		BLOWER
0000098219~S	*		BURNER
0000098220~S	*		CABINET
0000098221~S	*		CONTROLS
0000098225~S	*		FRONT DOOR PANEL
0000098217~S	*		GENERAL ASSEMBLY
0000098226~S	*		HEAT EXCHANGER
0000098230~S	*		INDUCER & VENTING
0000098228~S	*		MODEL NUMBER DESCRIPTION
0000098229~S	*		OPTIONAL ACCESSORIES
0000098227~S	*		SHIP WITH PARTS

Part No.	Reference No.	Quantity	Description
0000032689~P	*		BLOWER PARTS LIST

BLOWER

75011091

RB
B



This is a typical illustration. The unit in the field may not appear exactly as shown.

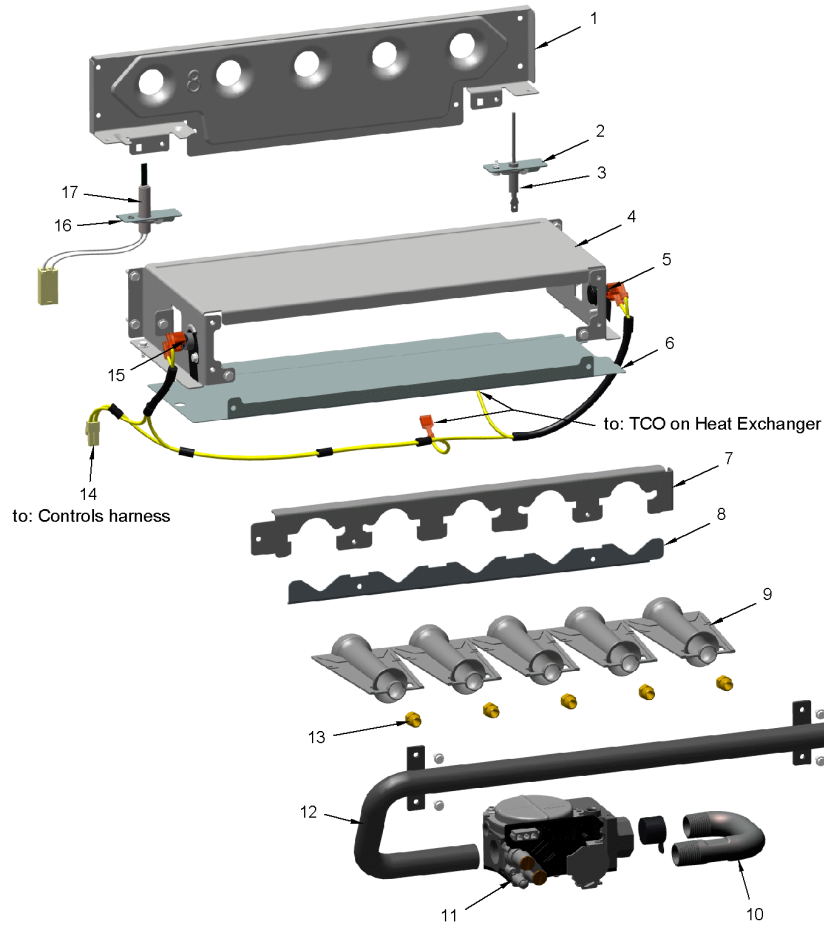
Part No.	Reference No.	Quantity	Description
BND00932	*	1	BAND; MOTOR MOUNT, 17.62 LENGTH
BND00934	*	1	BAND; BELLY BAND ASSEMBLY, INCLUDES BAND, MOTOR LEGS, MOUNTING HARDWARE
WIR11173	*	1	WIRE; HARN-BLW-ECM-C-D-UF
MOT20547	1	1	MOTOR; EON VS MOTOR - 7 COEFFICIENT 1HP
BLT01015	2a	1	BOLT; BELLY BAND, 1/4-20 UNC-2B, 3/8 HEX WASHER HEAD
BND00917	2b	6	BAND; BELLY BAND ASSEMBLY, INCLUDES BAND, MOTOR LEGS, MOUNTING HARDWARE
WHL03316	3	1	WHEEL; BLOWER, 11.93 OD DIA, 10.68 WIDTH, 0.50 IN BORE, CW
HUS04194	4	1	HOUSING; BLOWER, MOLDED HALF, RIGHT SIDE, 18.24 X 15.37 X 8.92
WIR08824	5	1	WIRE; HARNESS, 12-PIN-ECM MOTOR (BLU,WHT,BLK,GRN,YEL WIRES)
CLP01123	6	4	CLIP; CLEAT-BLOWER
HUS04195	7	1	HOUSING; BLOWER, MOLDED HALF, LEFT SIDE, 18.24 X 15.37 X 8.79
SCR01011	9	3	SCREW; 1/4-20 C HXW 5/8 S N
BRK04573	10	2	BRACKET; BLOWER DECK MOUNT, 3.78 X 2.51 X 2.19
SWT01649	11	1	SWITCH; REVERSE AIRFLOW, OPEN 105F, CLOSE 95F, 120/240V, 1/4QC TERM
SWT03982	12	1	SWITCH; REVERSE FLOW, OPEN AT 105F, CLOSE AT 95F
SCR02112	14	4	SCREW; ASSEMBLY-MOTOR MOUNT

Part No.	Reference No.	Quantity	Description
0000021459~P	*		BURNER PARTS LIST
0000036829~P	*		BURNER PARTS LIST

BURNER

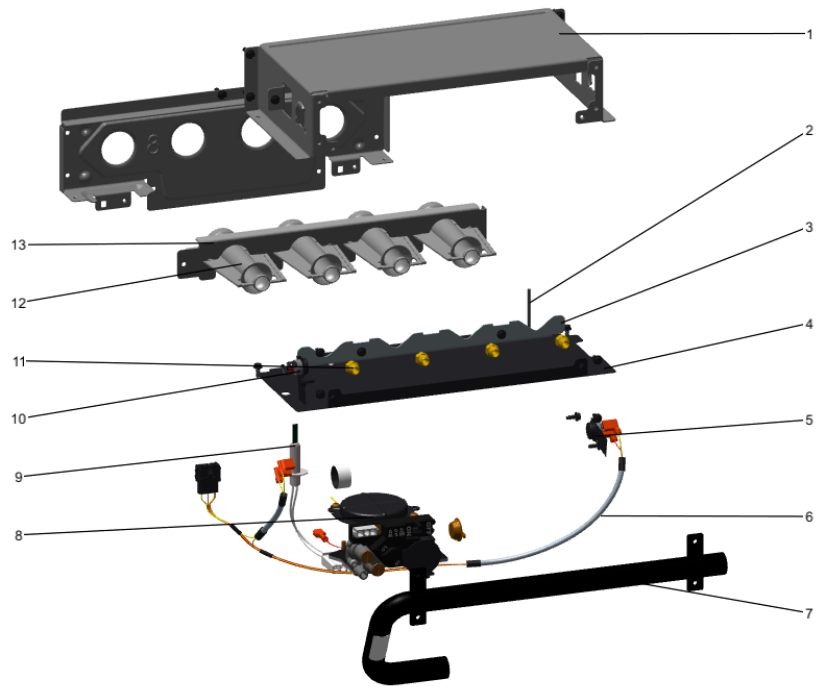
75011113

RP
A



This is a typical illustration. The unit in the field may not appear exactly as shown.

Part No.	Reference No.	Quantity	Description
BRK04581	2	1	BRACKET; FLAME SENSOR, 2.063 X 0.875 X 0.456
SEN02400	3	1	SENSOR; FLAME, NIKROTHAL 80 ELECTRODE, FOR NATURAL GAS
BOX02754	4	1	BOX; BURNER, 5.74 X 15.33 X 2.63
SWT03968	5	1	SWITCH; FLAME ROLLOUT, 190F OPEN, 5.8 FLA, 34.8 LRA AT 120 VAC, 24 VAC, MAN RESET 100F, AUTO RESET -31F, FIXED TEMP THERMOSTAT AND NON-ADJ
PLT05660	6	1	PLATE; 4 BURNER, 12.58 X 5.61
HLD00627	7	1	HOLDER; 4 BURNER, 12.125 X 1.531
CMP01467	8	1	CLAMP; BURNER - 4
BNR01233	9	4	BURNER; 0.50 ID INSHOT BURNER, NATURAL GAS, STAINLESS STEEL, 2.75 X 4.50
PIP02095	10	1	PIPE; U-BEND, STEEL, 1/2-14 NPT, 3.42 X 2.00
VAL09030	11	1	VALVE; GAS, NON DIRECT VENT 2 STAGE, 1/2-14 NPT, 24V, 50/60 HZ, "J" SERIES
MFD01444	12	1	MANIFOLD; 4
ORF01427	13	4	ORIFICE; SPUD, DRILL #45, BRASS
WIR09934	14	1	WIRE; HARNESS-BURN-5-6
SWT03967	15	1	SWITCH; FLAME ROLLOUT, 190F OPEN, 5.8 FLA, 34.8 LRA AT 120 VAC, 24 VAC, MAN RESET 100F, AUTO RESET -31F, FIXED TEMP THERMOSTAT AND NON-ADJ
BRK04580	16	1	BRACKET; IGNITER, 2.063 X 0.875 X 0.456
IGN00152	17	1	MIN=12/12 IGNITER; SILICON-NITRIDE, 120V, INCLUDES BRACKET AND SCREWS



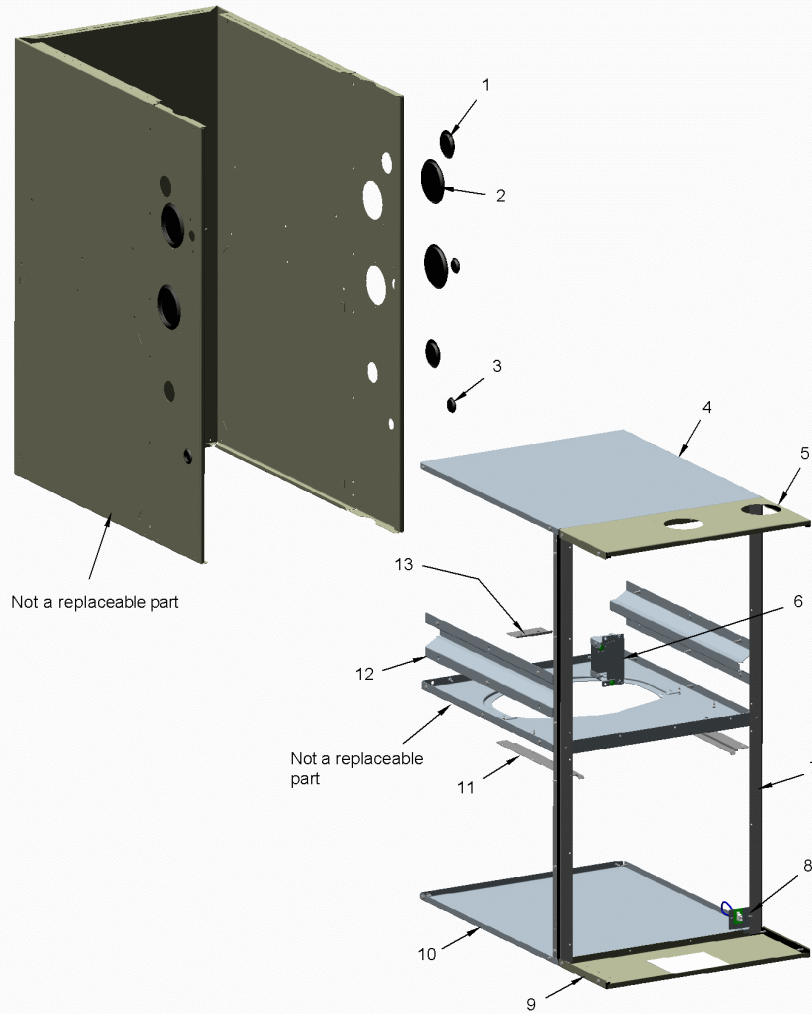
Part No.	Reference No.	Quantity	Description
PIP02095	*	1	PIPE; U-BEND, STEEL, 1/2-14 NPT, 3.42 X 2.00
BRK04580		1	BRACKET; IGNITER, 2.063 X 0.875 X 0.456
BRK04581		1	BRACKET; FLAME SENSOR, 2.063 X 0.875 X 0.456
BOX02754	1	1	BOX; BURNER, 5.74 X 15.33 X 2.63
SEN02662	2	1	SENSOR; FLAME FOR NATURAL GAS AND LP, KANTHAL D
CMP01468	3	1	CLAMP; BURNER-5
PLT05661	4	1	PLATE; 5 BURNER, 15.33 X 5.61
SWT03968	5	1	SWITCH; FLAME ROLLOUT, 190F OPEN, 5.8 FLA, 34.8 LRA AT 120 VAC, 24 VAC, MAN RESET 100F, AUTO RESET -31F, FIXED TEMP THERMOSTAT AND NON-ADJ
WIR09934	6	1	WIRE; HARNESS-BURN-5-6
MFD01445	7	1	MANIFOLD; 5
VAL09030	8	1	VALVE; GAS, NON DIRECT VENT 2 STAGE, 1/2-14 NPT, 24V, 50/60 HZ, "J" SERIES
IGN00152	9	1	MIN=12/12 IGNITER; SILICON-NITRIDE, 120V, INCLUDES BRACKET AND SCREWS
SWT03967	10	1	SWITCH; FLAME ROLLOUT, 190F OPEN, 5.8 FLA, 34.8 LRA AT 120 VAC, 24 VAC, MAN RESET 100F, AUTO RESET -31F, FIXED TEMP THERMOSTAT AND NON-ADJ
ORF01427	11	5	ORIFICE; SPUD, DRILL #45, BRASS
BNR01324	12	1	BURNER; ASM-100-2
HLD00628	13	1	HOLDER; 5 BURNER, 14.875 X 1.531

Part No.	Reference No.	Quantity	Description
000008956~P	*		CABINET PARTS LIST

CABINET

75010934

REV.
A



This is a typical illustration. The unit in the field may not appear exactly as shown.

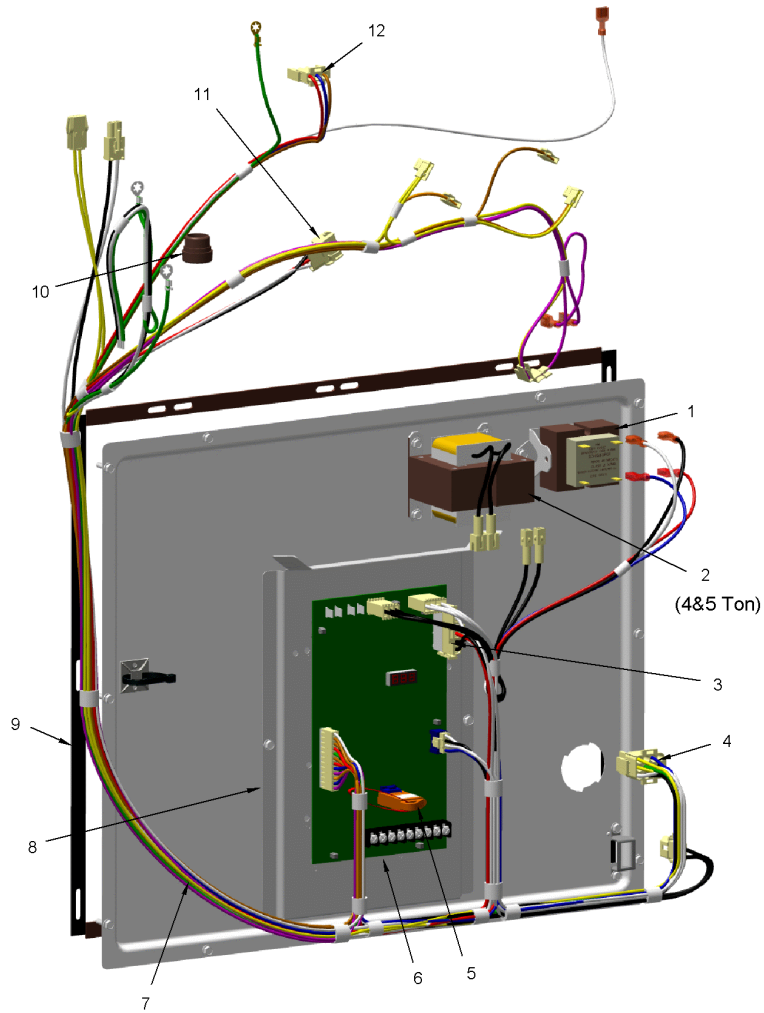
Part No.	Reference No.	Quantity	Description
PAI00074	*	1	PAINT; SPRAY, SLATE GREY, FULL GLOSS(88) (SHIPPING UOM 12 OZ HAZ)
PLU01272	1	2	PLUG; GAS CONDENSATE, 1.5 INCH, BLACK PLASTIC
PLU01269	2	4	PLUG; VENTING, 3.40 OD, 2.78 ID, BLACK PLASTIC
PLU01273	3	3	PLUG; ELECTRICAL, 1.0 INCH, BLACK PLASTIC
PNL32371	4	1	PANEL; BOTTOM, 20.92 X 21.08
SUP05945	5	1	SUPPORT; CROSSMEMBER, TOP, 21.08 X 7.17
BOX02750	6	1	BOX; ASSEMBLY, JUNCTION, INCLUDES TOP, BASE, SCREWS & BUSHING
SUP05943	7	2	SUPPORT; SIDE, 33.74 X 1.07 X 1.07
BRK04571	8a	1	BRACKET; ASSEMBLY. INCLUDES BOTH DOOR SWITCH BRACKETS AND 2 PIN WIRE HARNESS
WIR05160	8b	1	WIRE; HARNESS, 2 PIN DF, 5 INCH BLACK WIRE
SUP05951	9	1	SUPPORT; CROSSMEMBER, BOTTOM, 21.08 X 7.17
PNL32371	10	1	PANEL; BOTTOM, 20.92 X 21.08
RAL01160	11	2	RAIL; BLOWER DECK, 10.65 X 1.64
RAL01161	12	2	RAIL; HEAT EXCHANGER, 19.15 X 3.47
RTR00985	13	1	RETAINER; BLOWER, 3.00 X 1.85

Part No.	Reference No.	Quantity	Description
0000014476~P	*		CONTROLS PARTS LIST
0000036835~P	*		CONTROLS PARTS LIST

CONTROLS

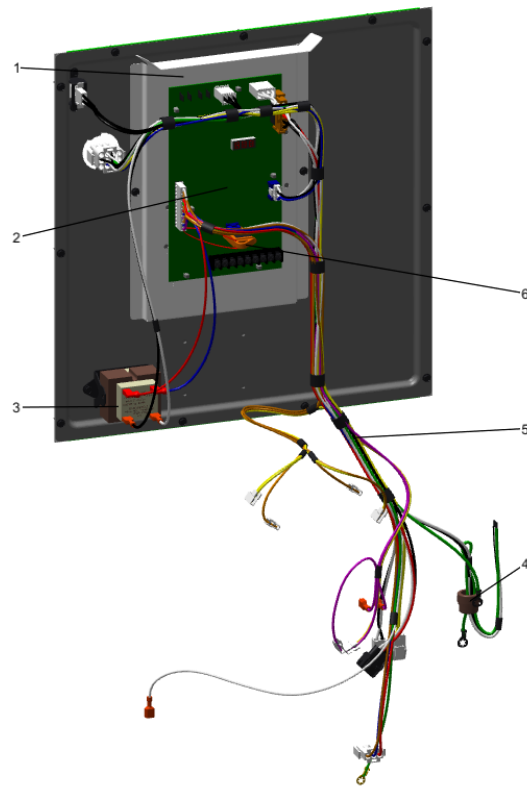
75013688

RP
A



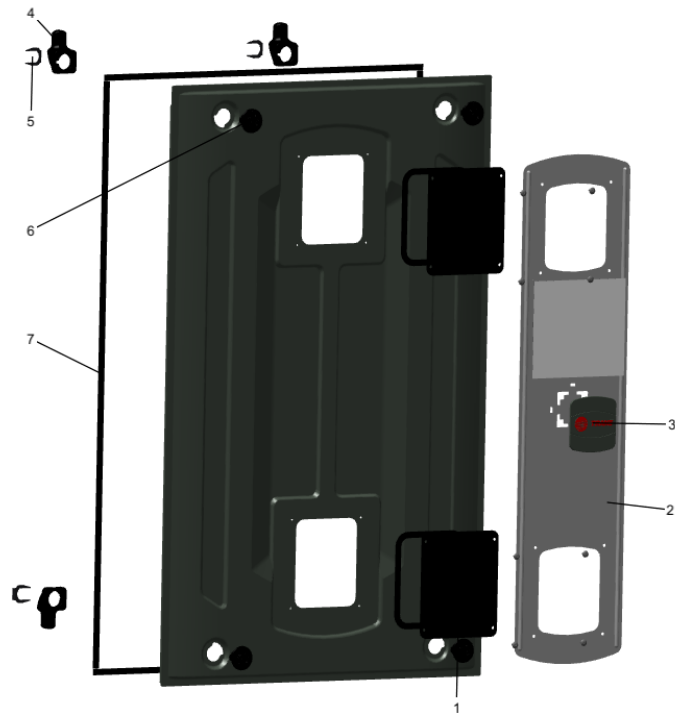
This is a typical illustration. The unit in the field may not appear exactly as shown.

Part No.	Reference No.	Quantity	Description
PNL37122	*	1	PANEL; VESTIBULE-BOTTOM, C CABINET, 19.59 X 16.75
TRR02736	1	1	TRANSFORMER; 115V-24V, 35VA, 60 HZ, CLASS 2
TRR02737	2	1	TRANSFORMER; CHOKE LINE, 12 AMPS RMS AC, 600V
HUS03379	3	1	HOUSING; PLUG CONNECTOR, 4 CIRCUIT
CON00105	4	1	CONNECTOR; HOUSING; 12 CKT SOCKET HSG MALE
MOD01574	5	1	MODULE; TO ORDER-SEE EXT NOTE
CNT07721	6	1	CONTROL; W/ IFC, 2 STAGE FURNACE CONTROL
WIR09914	7	1	WIRE; HARNESS, POWER & CONTROLS
SHD00602	8	1	SHIELD; BRACKET-IFC, SHEET METAL, 5.91 X 9.03
GKT05000	9	1	GASKET; VESTIBULE GASKETS, ONE SIZE FITS ALL - TRIM TO FIT
BUS00300	10	1	BUSHING; STRAIN RELIEF
CON00973	11	1	CONNECTOR; 3 CKT, CAP HSG, WHITE/NATURAL
CON00486	12	1	CONNECTOR; PLUG HOUSING, 3 PIN MALE

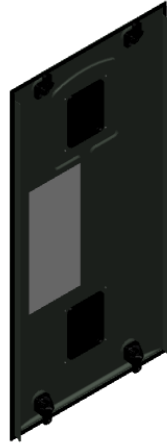


Part No.	Reference No.	Quantity	Description
GKT05000	*	2	GASKET; VESTIBULE GASKETS, ONE SIZE FITS ALL - TRIM TO FIT
GKT05169	*	2	GASKET; VEST-TOP-BOT-C-80 (2EA)
PNL37122	*	1	PANEL; VESTIBULE-BOTTOM, C CABINET, 19.59 X 16.75
TIE00023	*	1	TIE;CABLE, 8.00IN.
TRR02737	*	1	TRANSFORMER; CHOKE LINE, 12 AMPS RMS AC, 600V
SHD00602	1	1	SHIELD; BRACKET-IFC, SHEET METAL, 5.91 X 9.03
CNT07721	2	1	CONTROL; W/ IFC, 2 STAGE FURNACE CONTROL
TRR02736	3	1	TRANSFORMER; 115V-24V, 35VA, 60 HZ, CLASS 2
BUS00300	4	1	BUSHING; STRAIN RELIEF
WIR09914	5	1	WIRE; HARNESS, POWER & CONTROLS
MOD01574	6	1	MODULE; TO ORDER-SEE EXT NOTE

Part No.	Reference No.	Quantity	Description
0000036853~P	*		DOOR ASSEMBLY PARTS LIST
0000014676~P	*		FRONT DOOR PANEL PARTS LIST



Part No.	Reference No.	Quantity	Description
DOR04645	*	1	DOOR; ASM-90C-HIGH
PLT05665	*	0	PLATE; AMERICAN STANDARD BADGE, 3.17 X 3.00
GLS01089	1	2	GLASS; ASSEMBLY, INCLUDES SITE-GLASS, GASKET, 8 SCREWS
PLT05663	2	1	PLATE; DOOR OVERLAY, 28.77 X 7.00
PLT05664	3	0	PLATE; TRANE BADGE, 3.17 X 3.00
LAT01036	4	4	LATCH; TANG
LAT01037	5	4	LATCH; CLIP
LAT01035	6	4	LATCH; HUB
GKT04783	7	2	GASKET; DOOR GASKETS, TOP/BOTTOM X 2, SIDES X 2, ONE SIZE FITS ALL - TRIM TO FIT



Part No.	Reference No.	Quantity	Description
DOR04645	*	1	DOOR; ASM-90C-HIGH
PAI00248	*	1	PAINT; 12 OZ SPRAY, ANTHRACITE GRAY (SHIPPING UOM 12 OZ HAZ)
LAT01036	1	4	LATCH; TANG
LAT01037	2	4	LATCH; CLIP
LAT01035	3	4	LATCH; HUB
GLS01089	4	2	GLASS; ASSEMBLY, INCLUDES SITE-GLASS, GASKET, 8 SCREWS
PLT05663	5	1	PLATE; DOOR OVERLAY, 28.77 X 7.00
PLT05664	6a	1	PLATE; TRANE BADGE, 3.17 X 3.00
PLT05665	6b	1	PLATE; AMERICAN STANDARD BADGE, 3.17 X 3.00
SCR02475	7	8	SCREW; 8-18, TRUSS DRIVE STYLE, TYPE B BLUNT TIP
GKT04783	8	1	GASKET; DOOR GASKETS, TOP/BOTTOM X 2, SIDES X 2, ONE SIZE FITS ALL - TRIM TO FIT

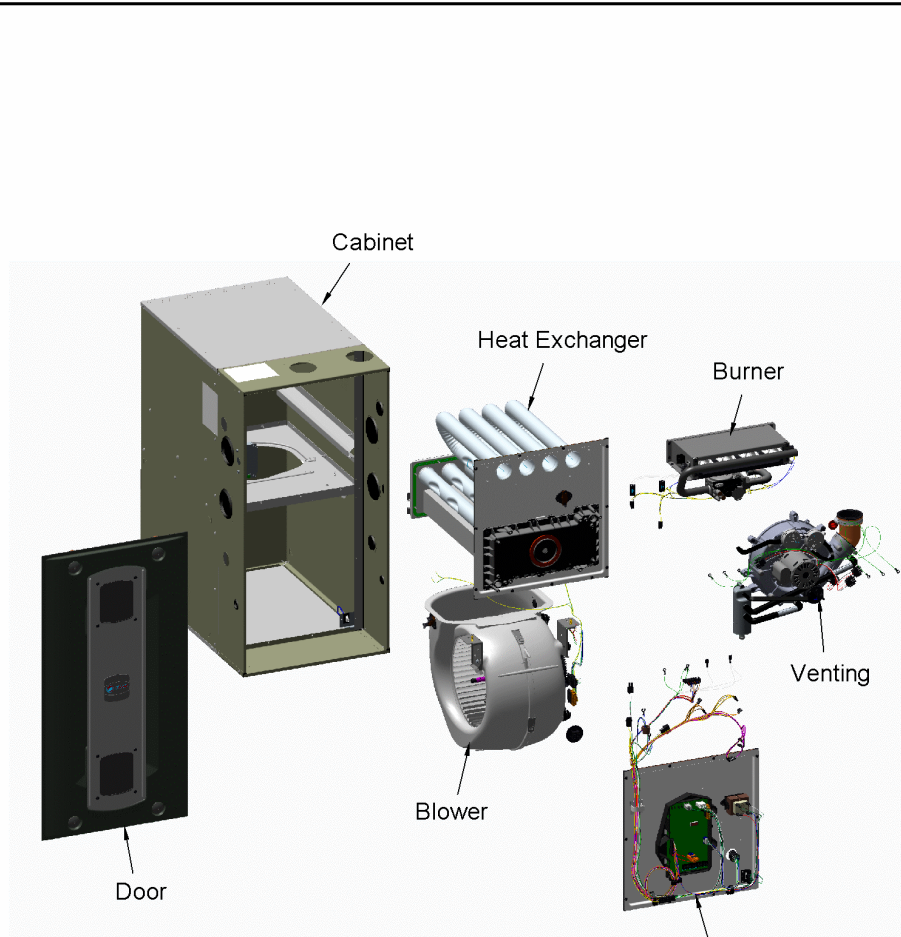
Part No.	Reference No.	Quantity	Description
0000013797~P	*		GENERAL ASSEMBLY GRAPHIC

S-SERIES FURNACE

75011112

REV.
A

Upflow



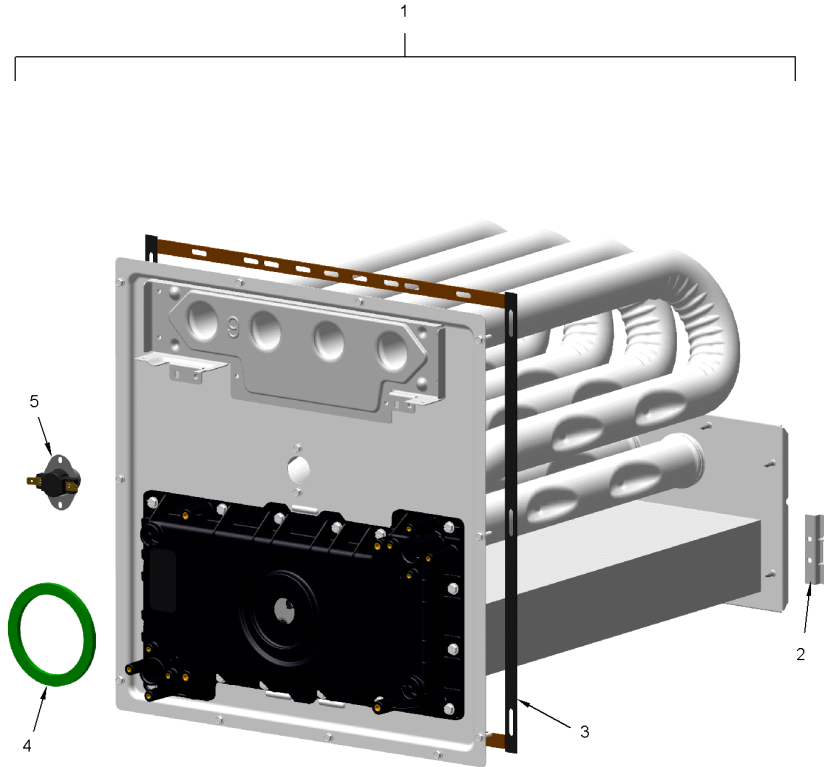
This is a typical illustration. The unit in the field may not appear exactly as shown.

Part No.	Reference No.	Quantity	Description
000004610~P	*		HEAT EXCHANGER PARTS LIST

HEAT EXCHANGER

75013667

RP
A



The Thermal Limit Switch (TCO) is not included with the Heat Exchanger.

This is a typical illustration. The unit in the field may not appear exactly as shown.

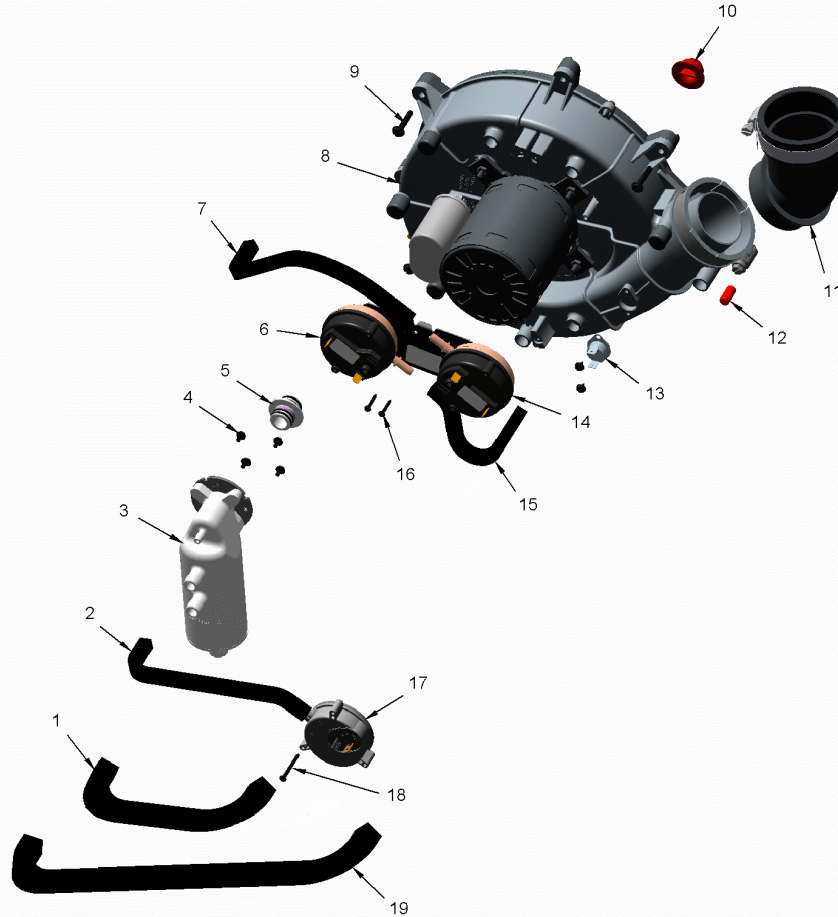
Part No.	Reference No.	Quantity	Description
HDR01074	*	1	HEADER; COLD, C100
EXC02723	1	1	EXCHANGER; HEAT HX-ASM-C100
BRK04574	2	2	BRACKET; HX HOT HEADER SUPPORT, 2.50 X 1.00
GKT05000	3	1	GASKET; VESTIBULE GASKETS, ONE SIZE FITS ALL - TRIM TO FIT
GKT04780	4	1	GASKET; BLOWER INDUCER, GREEN SILICONE, 3.70 OD X 2.90 ID
SWT03963	5	1	SWITCH; LIMIT, OPEN AT 125F, CLOSE AT 90F

Part No.	Reference No.	Quantity	Description
000004616~P	*		INDUCER & VENTING PARTS LIST

INDUCER & VENTING

75011115

REV.
A



This is a typical illustration. The unit in the field may not appear exactly as shown.

Part No.	Reference No.	Quantity	Description
HSE01890	1	1	HOSE; CONDENSATE, BLACK EPDM, 10.00 L, 0.475 ID
HSE01883	2	1	HOSE; PRESSURE SWITCH, BLACK EPDM RUBBER, 0.225 ID X 19.50 L
SEP00271	3	1	SEPARATOR; ASSEMBLY-UPFLOW, INCLUDES TRAP, ADAPTERS, O-RINGS AND SCREWS
ADP01426	5a	1	ADAPTER; PVC PLASTIC, 0.718 ID, 1.20 ID
RNG02446	5b	4	RING; O-RING, 0.55 ID, EPDM RUBBER
SWT03924	6	1	SWITCH; PRESSURE, SPDT, 28VA PILOT DUTY AT 24 VAC, 125VA PILOT DUTY AT 120VAC, SNAP ACTING CONTACTS, OPR TEMP RANGE: -40 TO 190F, 0.20 DEG W.C.
HSE01884	7	1	HOSE; HIGH PRESSURE, BLACK EPDM RUBBER, 0.225 ID X 12.00 L
BLW01401	8	1	BLOWER; INDUCER, 2 STAGE, 115V, 60 HZ, 3300/2345 RPM, 5 MFD CPT AT 370 VAC, INCLUDES GASKET & SCREWS
SCR02472	9	3	SCREW; 10-32 MACHINE SCREW, 5/16 SLOTTED HEX WASHER
PLU01271	10	1	PLUG; CONDENSATE, 0.77 OD X 0.50 ID
ELL01525	11	1	ELBOW; BLACK, WITH BOOT AND CLAMP
CAP01301	12	1	CAP; PRESSURE, BLACK VINYL, 0.25 ID X 0.625 L
SWT03927	13	1	SWITCH; BLOWER INDUCER LIMIT SWITCH, 155F OPEN, 95F CLOSE
SWT03992	14	1	SWITCH; PRESSURE, SPST, 28VA PILOT DUTY AT 24 VAC, 125VA PILOT DUTY AT 125VAC, SNAP ACTING CONTACTS, OPERATING TEMP RANGE: -40 TO 190F, .70 DEG W.C.
HSE01885	15	1	HOSE; PRESSURE, 0.225 ID X 7.0 L, PS1
SCR02512	16	2	SCREW; 4-24 X 1/2, 3/16 HX WASHER HEAD, #1 PHILLIPS, TYPE AB, CLEAR ZINC PLATE
SWT03926	17	1	SWITCH; CONDENSATE, POS PRESSURE, SPST, 28VA PILOT DUTY AT 24 VAC, 125VA PILOT DUTY AT 125VAC, SNAP ACTING CONTACTS, OPERATING TEMP RANGE: -40 TO 185F
HSE01887	19	1	HOSE; BLOWER INDUCER, CONDENSATE, BLACK EPDM, 17.00 L, 0.475 ID

Part No.	Reference No.	Quantity	Description
000005337~P	*		MODEL NUMBER GRAPHIC

MODEL NUMBER DESCRIPTION	75011116	RB B
S-SERIES FURNACE		
<i>Example Model Number:</i> S 9 V 2 B 0 8 0 U 3 P S A A A <small>1 - - - - 5 - - - - 10 - - - - 15</small>		
Digit 1 – Level S = Series L = 14 ng/J Ultra-Low NOx	Digit 11 – Inducer Type P = PSC X = CTM V = Variable Speed	
Digit 2 – AFUE 8 = 80% 9 = 90% or higher	Digit 12 – Communicating capability S = 24 Volt C = Communicating System Control T = 24 Volt, 40ng/J NOx D = Communicating System Control, 40ng/J NOx	
Digit 3 – Blower Type B = Builder Series (May be PSC or CTM) P = PSC X = CTM V = Variable Speed	Digit 13 – Major Design Change	
Digit 4 – Gas Valve Stages 1 = SingleStage 2 = 2 Stage M = Modulating	Digit 14 – Minor Design Change	
Digit 5 – Cabinet Width A = 14.5 wide B = 17.5 wide C = 21.0 wide D = 24.5 wide	Digit 15 – Service Digit Change	
Digits 6,7,8 – BTU input 080 = 80,000 BTUH		
Digit 9 – Poise Options U = 3 way D = Dedicated Downflow M = 4 Way Poise		
Digit 10 – Airflow Capacity for Cooling 2 = 2 Tons 3 = 3 Tons 4 = 4 Tons 5 = 5 Tons		
		1 of 1

Part No.	Reference No.	Quantity	Description
0000014517~P	*		OPTIONAL ACCESSORIES LIST

Part No.	Reference No.	Quantity	Description
BYAIR30AVENTA	*	1	VENT; CONCENTRIC VENT KIT, (BAYAIR30AVENTAA)
BYAIR30CNVENT	*	1	KIT-CONCENTRIC-VENT-CANADA
BAYCNDTRAP2A	*	1	KIT-2" WATER COLLECTOR
BAYCNDTRAP3A	*	1	KIT-3" WATER COLLECTOR
BAYHANG	*	1	HORIZONTAL HANGER KIT
BAYLIFTB	*	1	KIT-DUAL-RETURN-B-SIZE
BAYLPSS400B	*	1	BAYLPSS400B; LP CONVERSION KIT, INCLUDES (6) STAINLESS BURNERS, SEN02662, KIT01495 & KIT07611
BAYMFGH200B	*	1	KIT; LP CONVERSION KIT W/ (6) STAINLESS STEEL BURNERS
BAYREDUCE	*	1	KIT-REDUCER-COUPPLING-CPVC
BAYVENT200B	*	1	KIT; SIDE WALL VENT ASSEMBLY
BAYVENTCN200B	*	1	KIT-VENT-SIDE-WALL-CANADA
KIT07611	*	1	KIT; 3/8" VALVE PRESSURE CHECK KIT W/ HOSE BARB ADAPTER, ALLEN WRENCH AND PIECE OF 5/16" TUBING

SHIP WITH PARTS

Parts List Number :0000097857

Model Number :S9V2C100U5PSBDA

Part No.	Reference No.	Quantity	Description
000008947~P	*		SHIP WITH PARTS LIST

SHIP WITH PARTS

75011131

REV.
A



This is a typical illustration. The unit in the field may not appear exactly as shown.

Part No.	Reference No.	Quantity	Description
TUB13975	1	1	TUBE; CONDENSATE DRAIN, INCLUDES CLAMPS, ADAPTER AND COUPLING
GRM01059	3	2	GROMMET; CONDENSATE GAS, BLACK 0.99 ID X 2.0 OD
KIT17675	4	1	KIT; 2 INCH INLET ADAPTOR (ADP01052) AND GASKET (GKT03082)
PLU01272	5	1	PLUG; GAS CONDENSATE, 1.5 INCH, BLACK PLASTIC
PLU01273	6	1	PLUG; ELECTRICAL, 1.0 INCH, BLACK PLASTIC
GRM01083	7	1	GROMMET; TRAP, 3.50 OD X 2.00 ID, BLACK, FLEXIBLE VINYL
KIT17674	8	1	KIT; OUTLET ADAPTOR WITH CLAMP AND GASKET