

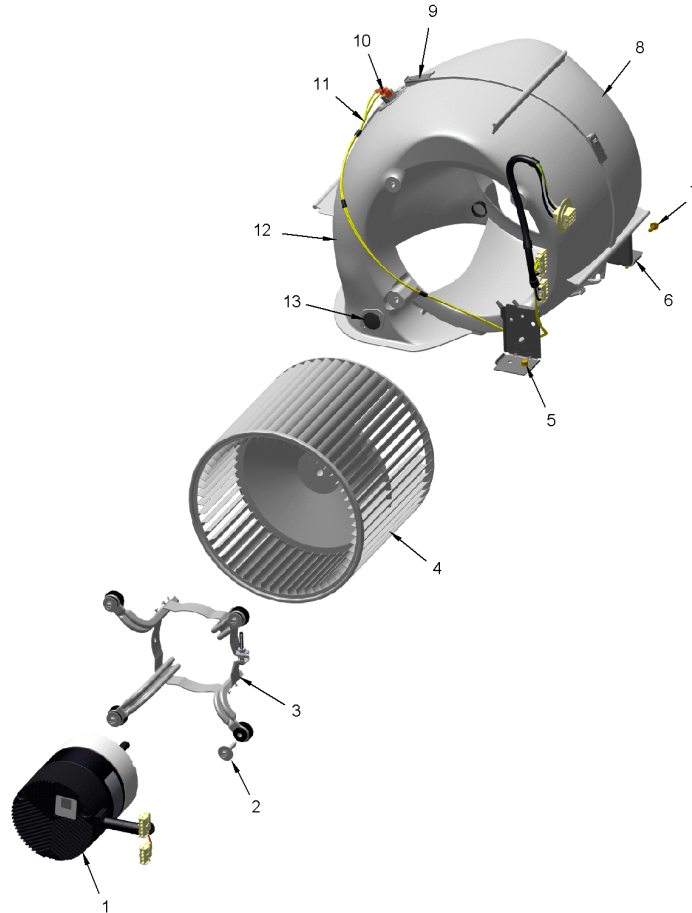
Part No.	Reference No.	Quantity	Description
0000098218~S	*		BLOWER
0000098219~S	*		BURNER
0000098220~S	*		CABINET
0000098221~S	*		CONTROLS
0000098225~S	*		FRONT DOOR PANEL
0000098217~S	*		GENERAL ASSEMBLY
0000098230~S	*		INDUCER & VENTING

Part No.	Reference No.	Quantity	Description
0000032649~P	*		BLOWER ASSEMBLY PARTS LIST

BLOWER

75011136

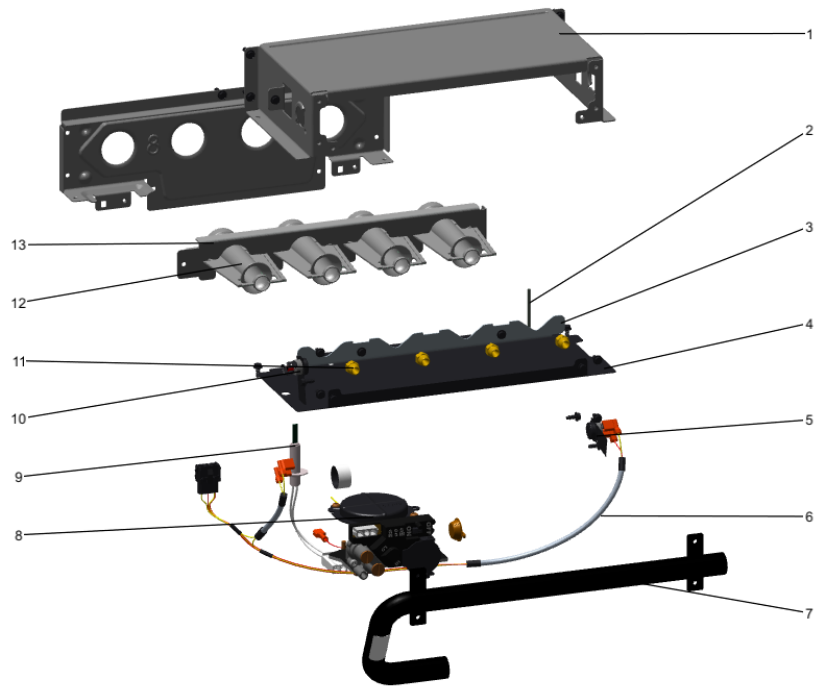
RP
A



This is a typical illustration. The unit in the field may not appear exactly as shown.

Part No.	Reference No.	Quantity	Description
BND00932	*	1	BAND; MOTOR MOUNT, 17.62 LENGTH
BRK04573	*	2	BRACKET; BLOWER DECK MOUNT, 3.78 X 2.51 X 2.19
MOT20547	1	1	MOTOR; EON VS MOTOR - 7 COEFFICIENT 1HP
BND00917	3a	6	BAND; BELLY BAND ASSEMBLY, INCLUDES BAND, MOTOR LEGS, MOUNTING HARDWARE
BLT01015	3b	1	BOLT; BELLY BAND, 1/4-20 UNC-2B, 3/8 HEX WASHER HEAD
WHL03316	4	1	WHEEL; BLOWER, 11.93 OD DIA, 10.68 WIDTH, 0.50 IN BORE, CW
SCR02112	5	4	SCREW; ASSEMBLY-MOTOR MOUNT
BND00934	6	1	BAND; BELLY BAND ASSEMBLY, INCLUDES BAND, MOTOR LEGS, MOUNTING HARDWARE
SCR01011	7	3	SCREW; 1/4-20 C HXW 5/8 S N
HUS04195	8	1	HOUSING; BLOWER, MOLDED HALF, LEFT SIDE, 18.24 X 15.37 X 8.79
CLP01123	9	4	CLIP; CLEAT-BLOWER
SWT03981	10	1	SWITCH; REVERSE FLOW, OPEN AT 95F, CLOSE AT 85F
WIR08826	11	1	WIRE; HARNESS, 12-PIN-ECM MOTOR (BLU,WHT,BLK,GRN,YEL WIRES)
HUS04194	12	1	HOUSING; BLOWER, MOLDED HALF, RIGHT SIDE, 18.24 X 15.37 X 8.92

Part No.	Reference No.	Quantity	Description
0000036829~P	*		BURNER PARTS LIST



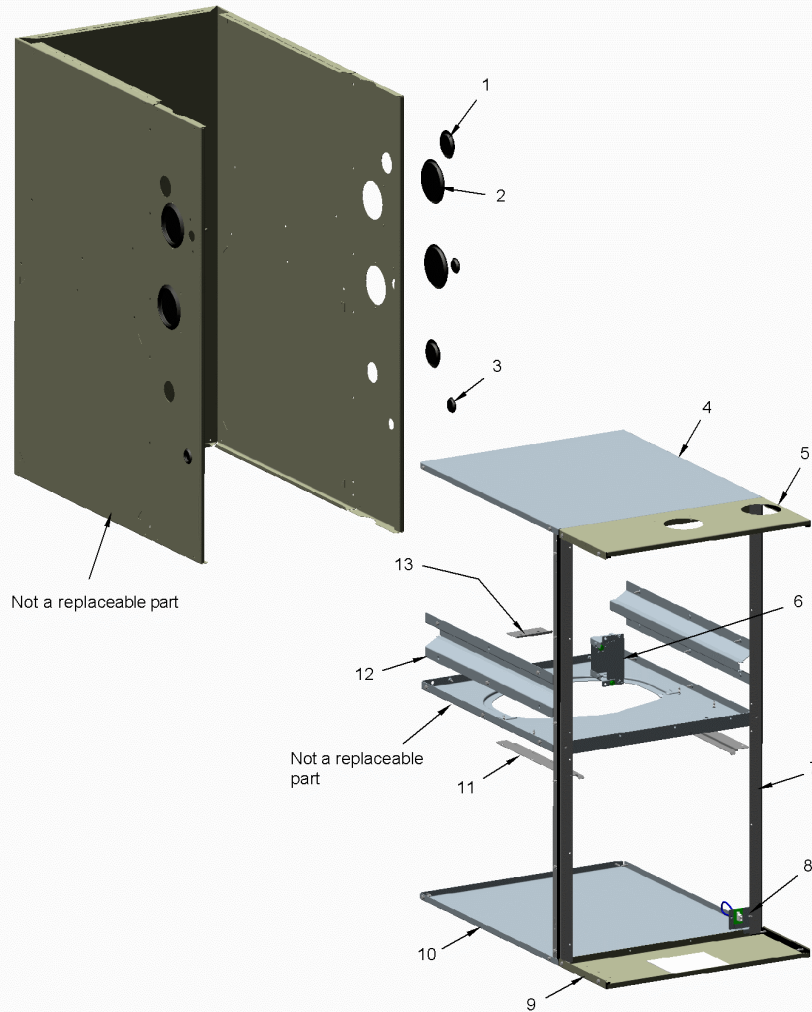
Part No.	Reference No.	Quantity	Description
PIP02095	*	1	PIPE; U-BEND, STEEL, 1/2-14 NPT, 3.42 X 2.00
BRK04580		1	BRACKET; IGNITER, 2.063 X 0.875 X 0.456
BRK04581		1	BRACKET; FLAME SENSOR, 2.063 X 0.875 X 0.456
BOX02754	1	1	BOX; BURNER, 5.74 X 15.33 X 2.63
SEN02662	2	1	SENSOR; FLAME FOR NATURAL GAS AND LP, KANTHAL D
CMP01468	3	1	CLAMP; BURNER-5
PLT05661	4	1	PLATE; 5 BURNER, 15.33 X 5.61
SWT03968	5	1	SWITCH; FLAME ROLLOUT, 190F OPEN, 5.8 FLA, 34.8 LRA AT 120 VAC, 24 VAC, MAN RESET 100F, AUTO RESET -31F, FIXED TEMP THERMOSTAT AND NON-ADJ
WIR09934	6	1	WIRE; HARNESS-BURN-5-6
MFD01445	7	1	MANIFOLD; 5
VAL09030	8	1	VALVE; GAS, NON DIRECT VENT 2 STAGE, 1/2-14 NPT, 24V, 50/60 HZ, "J" SERIES
IGN00152	9	1	MIN=12/12 IGNITER; SILICON-NITRIDE, 120V, INCLUDES BRACKET AND SCREWS
SWT03967	10	1	SWITCH; FLAME ROLLOUT, 190F OPEN, 5.8 FLA, 34.8 LRA AT 120 VAC, 24 VAC, MAN RESET 100F, AUTO RESET -31F, FIXED TEMP THERMOSTAT AND NON-ADJ
ORF01427	11	5	ORIFICE; SPUD, DRILL #45, BRASS
BNR01324	12	1	BURNER; ASM-100-2
HLD00628	13	1	HOLDER; 5 BURNER, 14.875 X 1.531

Part No.	Reference No.	Quantity	Description
0000040010~P	*		CABINET PARTS LIST

CABINET

75010934

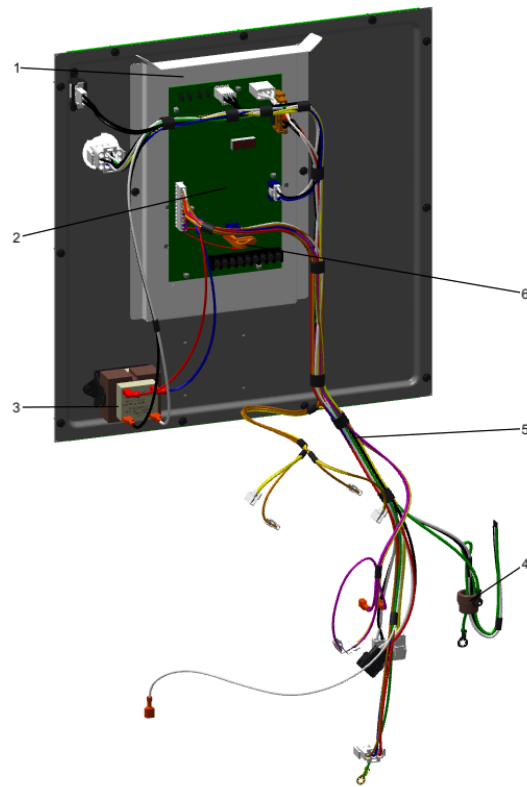
REV.
A



This is a typical illustration. The unit in the field may not appear exactly as shown.

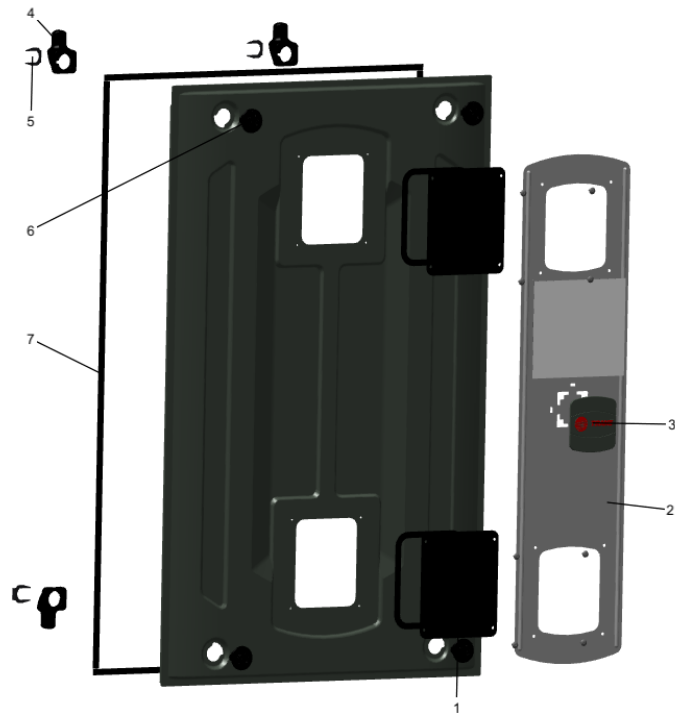
Part No.	Reference No.	Quantity	Description
GLS01089	*	2	GLASS; ASSEMBLY, INCLUDES SITE-GLASS, GASKET, 8 SCREWS
PLU01269		4	PLUG; VENTING, 3.40 OD, 2.78 ID, BLACK PLASTIC
PLU01272		3	PLUG; GAS CONDENSATE, 1.5 INCH, BLACK PLASTIC
PLU01273		3	PLUG; ELECTRICAL, 1.0 INCH, BLACK PLASTIC
SCR00972		4	SCREW, 10-24 TR-3 HXW 3/8 S
PLU01267	1	3	PLUG; GAS CONDENSATE, 2.17 OD, 1.675 ID, BLACK PLASTIC
PLU01268	3	3	PLUG; ELECTRICAL, 1.19 OD, 0.875 ID, BLACK PLASTIC
PNL32371	4	1	PANEL; BOTTOM, 20.92 X 21.08
SUP05948	5	1	SUPPORT; CROSSMEMBER, TOP, 21.08 X 7.17
BOX02750	6	2	BOX; ASSEMBLY, JUNCTION, INCLUDES TOP, BASE, SCREWS & BUSHING
SUP05943	7	2	SUPPORT; SIDE, 33.74 X 1.07 X 1.07
WIR05160	8b	1	WIRE; HARNESS, 2 PIN DF, 5 INCH BLACK WIRE
SUP05954	9	1	SUPPORT; CROSSMEMBER, BOTTOM, 21.08 X 7.17
PNL37177	10	1	PANEL; BOTTOM, 20.92 X 21.08
RAL01160	11	2	RAIL; BLOWER DECK, 10.65 X 1.64
RAL01161	12	2	RAIL; HEAT EXCHANGER, 19.15 X 3.47
RTR00985	13	1	RETAINER; BLOWER, 3.00 X 1.85

Part No.	Reference No.	Quantity	Description
0000036831~P	*		CONTROLS PARTS LIST

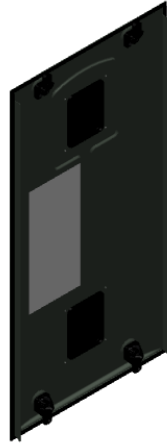


Part No.	Reference No.	Quantity	Description
GKT05000	*	2	GASKET; VESTIBULE GASKETS, ONE SIZE FITS ALL - TRIM TO FIT
GKT05169	*	2	GASKET; VEST-TOP-BOT-C-80 (2EA)
PNL37122	*	1	PANEL; VESTIBULE-BOTTOM, C CABINET, 19.59 X 16.75
TRR02737	*	1	TRANSFORMER; CHOKE LINE, 12 AMPS RMS AC, 600V
SHD00602	1	1	SHIELD; BRACKET-IFC, SHEET METAL, 5.91 X 9.03
CNT07721	2	1	CONTROL; W/ IFC, 2 STAGE FURNACE CONTROL
TRR02736	3	1	TRANSFORMER; 115V-24V, 35VA, 60 HZ, CLASS 2
BUS00300	4	1	BUSHING; STRAIN RELIEF
WIR09916	5	1	WIRE; HARNESS, POWER & CONTROLS
MOD01574	6	1	MODULE; TO ORDER-SEE EXT NOTE

Part No.	Reference No.	Quantity	Description
0000036853~P	*		DOOR ASSEMBLY PARTS LIST
0000014656~P	*		FRONT DOOR PANEL PARTS LIST



Part No.	Reference No.	Quantity	Description
DOR04645	*	1	DOOR; ASM-90C-HIGH
PLT05665	*	0	PLATE; AMERICAN STANDARD BADGE, 3.17 X 3.00
GLS01089	1	2	GLASS; ASSEMBLY, INCLUDES SITE-GLASS, GASKET, 8 SCREWS
PLT05663	2	1	PLATE; DOOR OVERLAY, 28.77 X 7.00
PLT05664	3	0	PLATE; TRANE BADGE, 3.17 X 3.00
LAT01036	4	4	LATCH; TANG
LAT01037	5	4	LATCH; CLIP
LAT01035	6	4	LATCH; HUB
GKT04783	7	2	GASKET; DOOR GASKETS, TOP/BOTTOM X 2, SIDES X 2, ONE SIZE FITS ALL - TRIM TO FIT



Part No.	Reference No.	Quantity	Description
DOR04642	*	1	DOOR; ASM-90B-HIGH
PAI00248	*	1	PAINT; 12 OZ SPRAY, ANTHRACITE GRAY (SHIPPING UOM 12 OZ HAZ)
LAT01036	1	4	LATCH; TANG
LAT01037	2	4	LATCH; CLIP
LAT01035	3	4	LATCH; HUB
GLS01089	4	2	GLASS; ASSEMBLY, INCLUDES SITE-GLASS, GASKET, 8 SCREWS
PLT05663	5	1	PLATE; DOOR OVERLAY, 28.77 X 7.00
PLT05664	6a	1	PLATE; TRANE BADGE, 3.17 X 3.00
PLT05665	6b	1	PLATE; AMERICAN STANDARD BADGE, 3.17 X 3.00
SCR02475	7	8	SCREW; 8-18, TRUSS DRIVE STYLE, TYPE B BLUNT TIP
GKT04783	8	1	GASKET; DOOR GASKETS, TOP/BOTTOM X 2, SIDES X 2, ONE SIZE FITS ALL - TRIM TO FIT

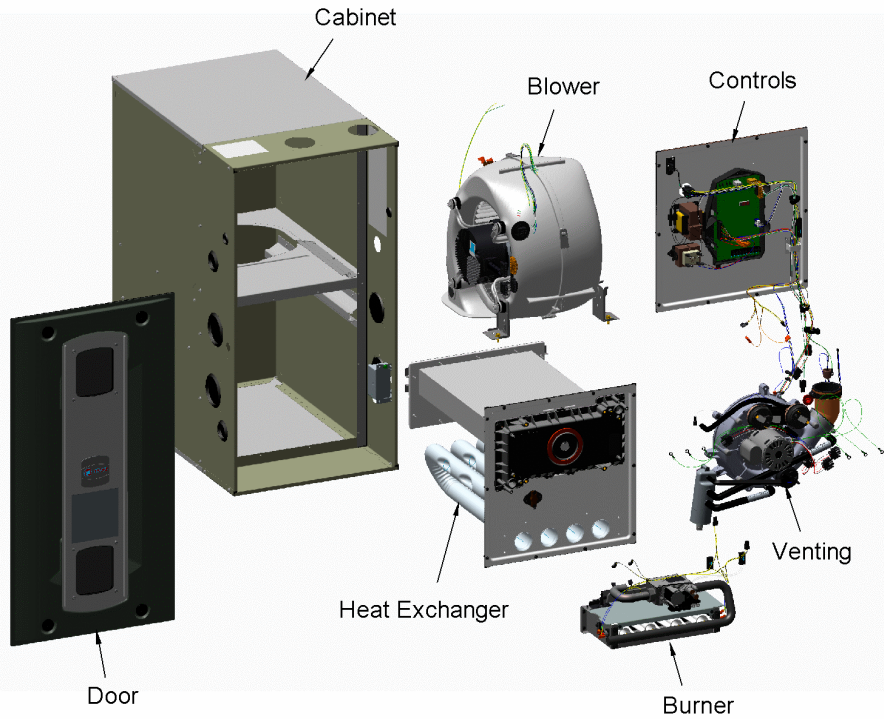
Part No.	Reference No.	Quantity	Description
0000013796~P	*		GENERAL ASSEMBLY GRAPHIC

S-SERIES FURNACE

75011132

REV.
A

Downflow



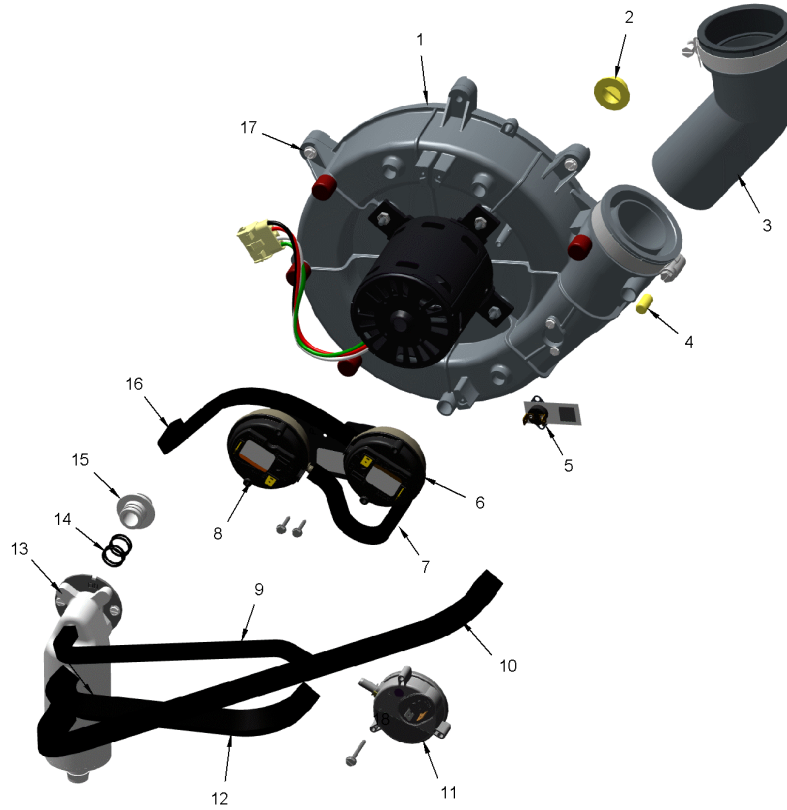
This is a typical illustration. The unit in the field may not appear exactly as shown.

Part No.	Reference No.	Quantity	Description
0000044079~P	*		INDUCER VENTING PARTS LIST

INDUCER & VENTING

75012560

RP
A



This is a typical illustration. The unit in the field may not appear exactly as shown.

Part No.	Reference No.	Quantity	Description
SWT03924	*	0	SWITCH; PRESSURE, SPDT, 28VA PILOT DUTY AT 24 VAC, 125VA PILOT DUTY AT 120VAC, SNAP ACTING CONTACTS, OPR TEMP RANGE: -40 TO 190F, 0.20 DEG W.C.
SWT03992	*	0	SWITCH; PRESSURE, SPST, 28VA PILOT DUTY AT 24 VAC, 125VA PILOT DUTY AT 125VAC, SNAP ACTING CONTACTS, OPERATING TEMP RANGE: -40 TO 190F, .70 DEG W.C.
SWT04460	*	1	SWITCH; ASSY, PRESS
BLW01401	1	1	BLOWER; INDUCER, 2 STAGE, 115V, 60 HZ, 3300/2345 RPM, 5 MFD CPT AT 370 VAC, INCLUDES GASKET & SCREWS
PLU01271	2	1	PLUG; CONDENSATE, 0.77 OD X 0.50 ID
ELL01525	3	1	ELBOW; BLACK, WITH BOOT AND CLAMP
CAP01301	4	1	CAP; PRESSURE, BLACK VINYL, 0.25 ID X 0.625 L
SWT03927	5	1	SWITCH; BLOWER INDUCER LIMIT SWITCH, 155F OPEN, 95F CLOSE
HSE01885	7	1	HOSE; PRESSURE, 0.225 ID X 7.0 L, PS1
HSE01883	9	1	HOSE; PRESSURE SWITCH, BLACK EPDM RUBBER, 0.225 ID X 19.50 L
HSE01887	10	1	HOSE; BLOWER INDUCER, CONDENSATE, BLACK EPDM, 17.00 L, 0.475 ID
SWT03926	11	1	SWITCH; CONDENSATE, POS PRESSURE, SPST, 28VA PILOT DUTY AT 24 VAC, 125VA PILOT DUTY AT 125VAC, SNAP ACTING CONTACTS, OPERATING TEMP RANGE: -40 TO 185F
HSE01890	12	1	HOSE; CONDENSATE, BLACK EPDM, 10.00 L, 0.475 ID
SEP00285	13	1	SEPARATOR; ASSEMBLY-DOWNFLOW, INCLUDES TRAP, ADAPTERS, O-RINGS AND SCREWS
RNG02446	14	4	RING; O-RING, 0.55 ID, EPDM RUBBER
ADP01426	15	1	ADAPTER; PVC PLASTIC, 0.718 ID, 1.20 ID
HSE01884	16	1	HOSE; HIGH PRESSURE, BLACK EPDM RUBBER, 0.225 ID X 12.00 L
SCR02472	17	3	SCREW; 10-32 MACHINE SCREW, 5/16 SLOTTED HEX WASHER