

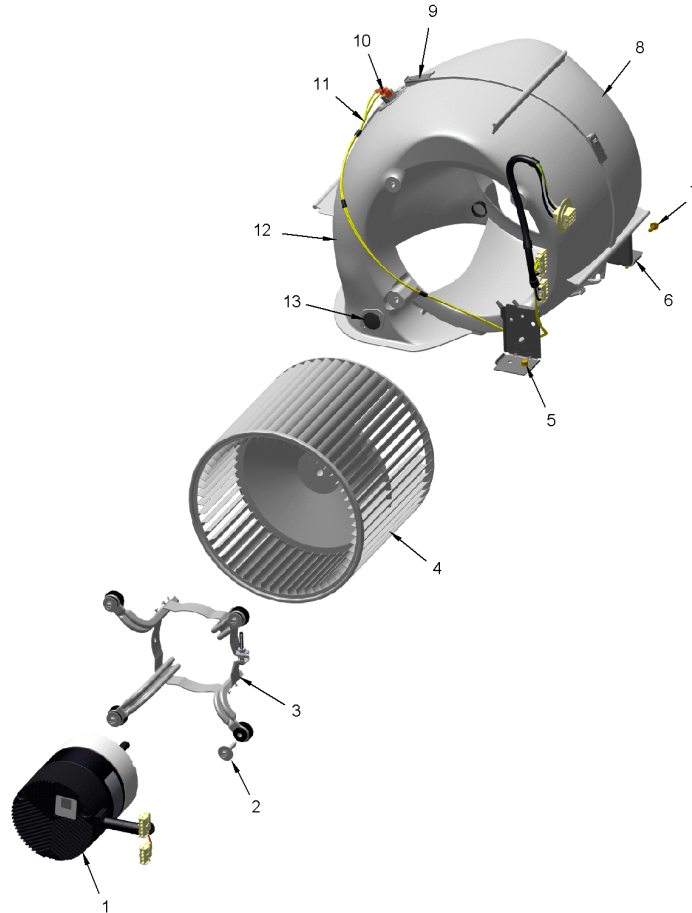
Part No.	Reference No.	Quantity	Description
0000098218~S	*		BLOWER
0000098219~S	*		BURNER
0000098220~S	*		CABINET
0000098221~S	*		CONTROLS
0000098225~S	*		FRONT DOOR PANEL
0000098217~S	*		GENERAL ASSEMBLY
0000098226~S	*		HEAT EXCHANGER
0000098230~S	*		INDUCER & VENTING
0000098228~S	*		MODEL NUMBER DESCRIPTION

Part No.	Reference No.	Quantity	Description
0000032647~P	*		BLOWER ASSEMBLY PARTS LIST
0000032648~P	*		BLOWER ASSEMBLY PARTS LIST

BLOWER

75011136

RP
A



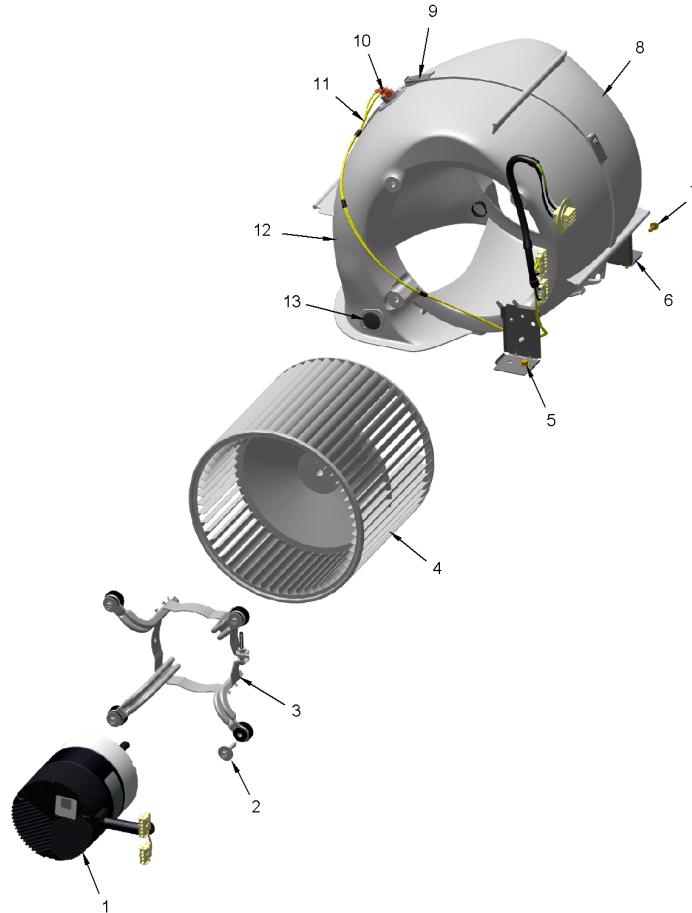
This is a typical illustration. The unit in the field may not appear exactly as shown.

Part No.	Reference No.	Quantity	Description
BND00932	*	1	BAND; MOTOR MOUNT, 17.62 LENGTH
BRK04572	*	2	BRACKET; BLOWER DECK MOUNT, 3.65 X 2.51 X 1.84
MOT20546	1	1	MOTOR; EON VS MOTOR - 7 COEFFICIENT 3/4HP
BND00917	3a	6	BAND; BELLY BAND ASSEMBLY, INCLUDES BAND, MOTOR LEGS, MOUNTING HARDWARE
BLT01015	3b	1	BOLT; BELLY BAND, 1/4-20 UNC-2B, 3/8 HEX WASHER HEAD
WHL02916	4	1	WHEEL; BLOWER, 11 IN DIA, 8 IN WIDTH, 0.50 IN BORE, CW
SCR02112	5	4	SCREW; ASSEMBLY-MOTOR MOUNT
BND00934	6	1	BAND; BELLY BAND ASSEMBLY, INCLUDES BAND, MOTOR LEGS, MOUNTING HARDWARE
SCR01011	7	3	SCREW; 1/4-20 C HXW 5/8 S N
HUS04193	8	1	HOUSING; BLOWER, MOLDED HALF, LEFT SIDE, 18.00 X 15.28 X 6.79
CLP01123	9	4	CLIP; CLEAT-BLOWER
SWT03981	10	1	SWITCH; REVERSE FLOW, OPEN AT 95F, CLOSE AT 85F
WIR08825	11	1	WIRE; HARNESS, 12-PIN-ECM MOTOR (BLU,WHT,BLK,GRN,YEL WIRES)
HUS04192	12	1	HOUSING; BLOWER, MOLDED HALF, RIGHT SIDE, 18.00 X 15.28 X 6.92

BLOWER

75011136

RP
A



This is a typical illustration. The unit in the field may not appear exactly as shown.

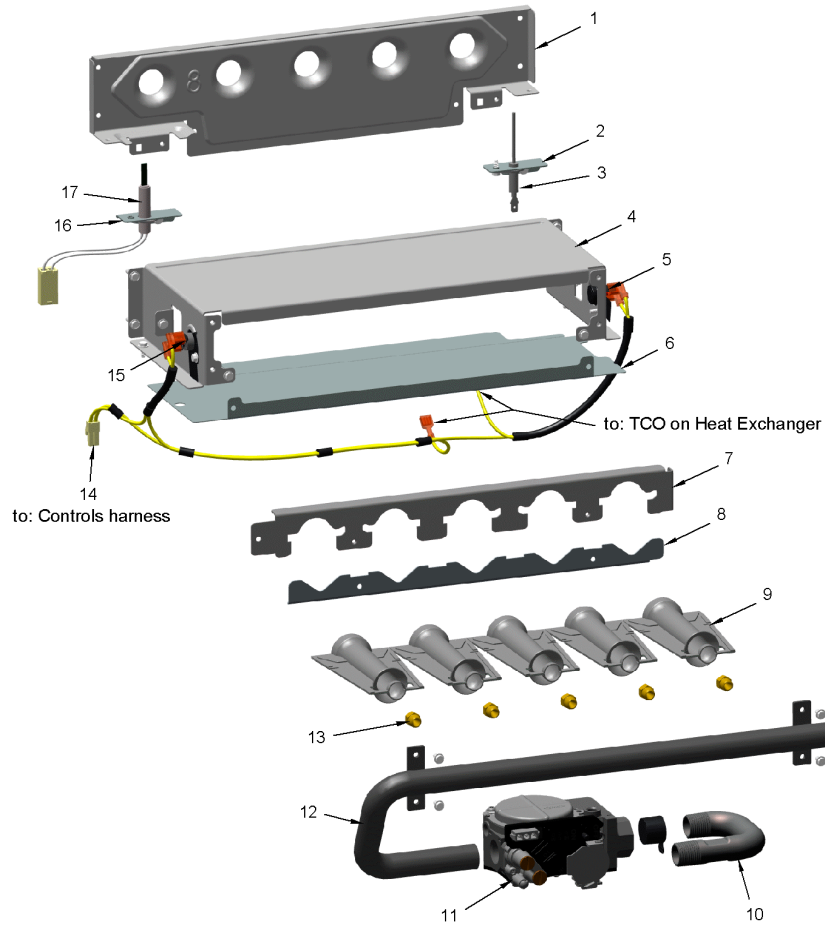
Part No.	Reference No.	Quantity	Description
BND00932	*	1	BAND; MOTOR MOUNT, 17.62 LENGTH
BRK04572	*	2	BRACKET; BLOWER DECK MOUNT, 3.65 X 2.51 X 1.84
MOT20545	1	1	MOTOR; EON VS MOTOR - 7 COEFFICIENT 1/2HP
BND00917	3a	6	BAND; BELLY BAND ASSEMBLY, INCLUDES BAND, MOTOR LEGS, MOUNTING HARDWARE
BLT01015	3b	1	BOLT; BELLY BAND, 1/4-20 UNC-2B, 3/8 HEX WASHER HEAD
WHL02916	4	1	WHEEL; BLOWER, 11 IN DIA, 8 IN WIDTH, 0.50 IN BORE, CW
SCR02112	5	4	SCREW; ASSEMBLY-MOTOR MOUNT
BND00934	6	1	BAND; BELLY BAND ASSEMBLY, INCLUDES BAND, MOTOR LEGS, MOUNTING HARDWARE
SCR01011	7	3	SCREW; 1/4-20 C HXW 5/8 S N
HUS04193	8	1	HOUSING; BLOWER, MOLDED HALF, LEFT SIDE, 18.00 X 15.28 X 6.79
CLP01123	9	4	CLIP; CLEAT-BLOWER
SWT01649	10	1	SWITCH; REVERSE AIRFLOW, OPEN 105F, CLOSE 95F, 120/240V, 1/4QC TERM
WIR08825	11	1	WIRE; HARNESS, 12-PIN-ECM MOTOR (BLU,WHT,BLK,GRN,YEL WIRES)
HUS04192	12	1	HOUSING; BLOWER, MOLDED HALF, RIGHT SIDE, 18.00 X 15.28 X 6.92

Part No.	Reference No.	Quantity	Description
0000036006~P	*		BURNER PARTS LIST
0000036828~P	*		BURNER PARTS LIST

BURNER

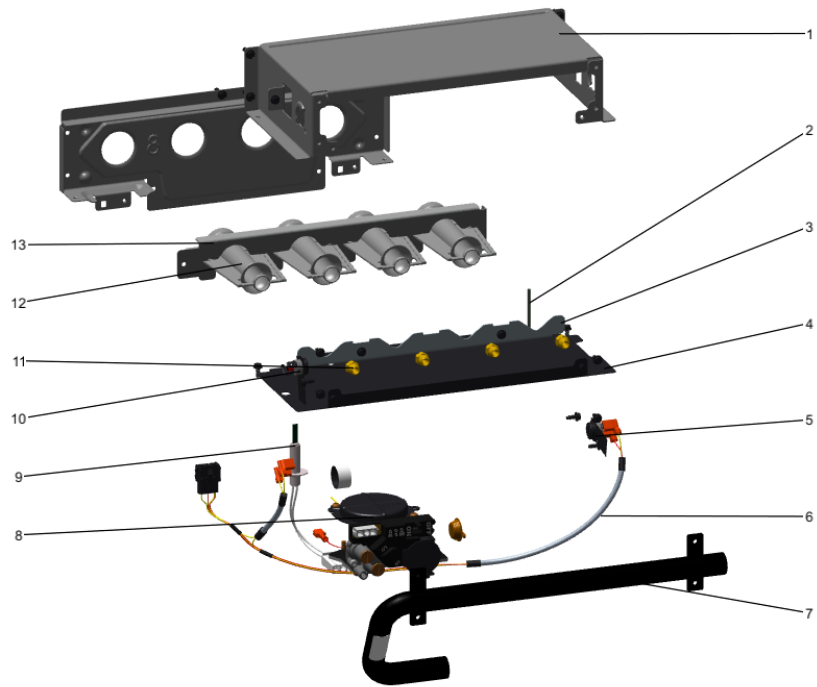
75011113

RP
A



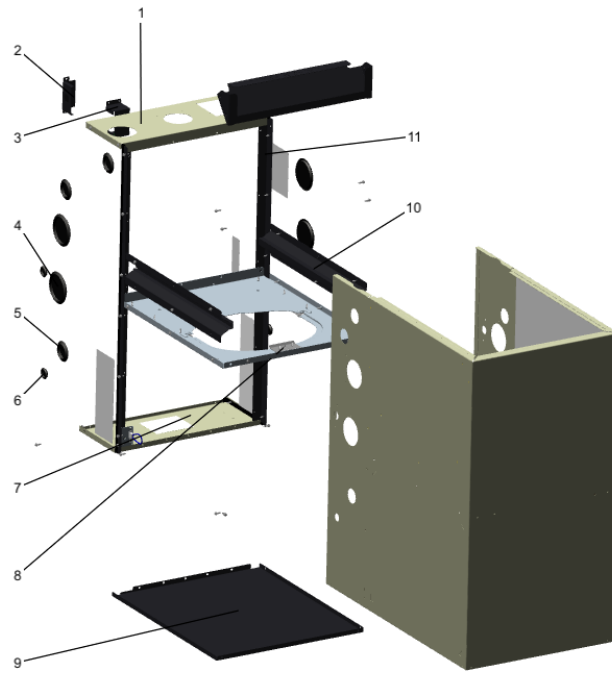
This is a typical illustration. The unit in the field may not appear exactly as shown.

Part No.	Reference No.	Quantity	Description
BRK04581	2	1	BRACKET; FLAME SENSOR, 2.063 X 0.875 X 0.456
SEN02662	3	1	SENSOR; FLAME FOR NATURAL GAS AND LP, KANTHAL D
BOX02753	4	1	BOX; BURNER, 5.74 X 12.58 X 2.63
SWT03968	5	1	SWITCH; FLAME ROLLOUT, 190F OPEN, 5.8 FLA, 34.8 LRA AT 120 VAC, 24 VAC, MAN RESET 100F, AUTO RESET -31F, FIXED TEMP THERMOSTAT AND NON-ADJ
PLT05660	6	1	PLATE; 4 BURNER, 12.58 X 5.61
HLD00627	7	1	HOLDER; 4 BURNER, 12.125 X 1.531
CMP01467	8	1	CLAMP; BURNER - 4
BNR01233	9	4	BURNER; 0.50 ID INSHOT BURNER, NATURAL GAS, STAINLESS STEEL, 2.75 X 4.50
PIP02095	10	1	PIPE; U-BEND, STEEL, 1/2-14 NPT, 3.42 X 2.00
VAL09030	11	1	VALVE; GAS, NON DIRECT VENT 2 STAGE, 1/2-14 NPT, 24V, 50/60 HZ, "J" SERIES
MFD01444	12	1	MANIFOLD; 4
ORF01427	13	4	ORIFICE; SPUD, DRILL #45, BRASS
WIR10828	14	1	WIRE; HARNESS-BURN-2-3-4
SWT03967	15	1	SWITCH; FLAME ROLLOUT, 190F OPEN, 5.8 FLA, 34.8 LRA AT 120 VAC, 24 VAC, MAN RESET 100F, AUTO RESET -31F, FIXED TEMP THERMOSTAT AND NON-ADJ
BRK04580	16	1	BRACKET; IGNITER, 2.063 X 0.875 X 0.456
IGN00152	17	1	MIN=12/12 IGNITER; SILICON-NITRIDE, 120V, INCLUDES BRACKET AND SCREWS



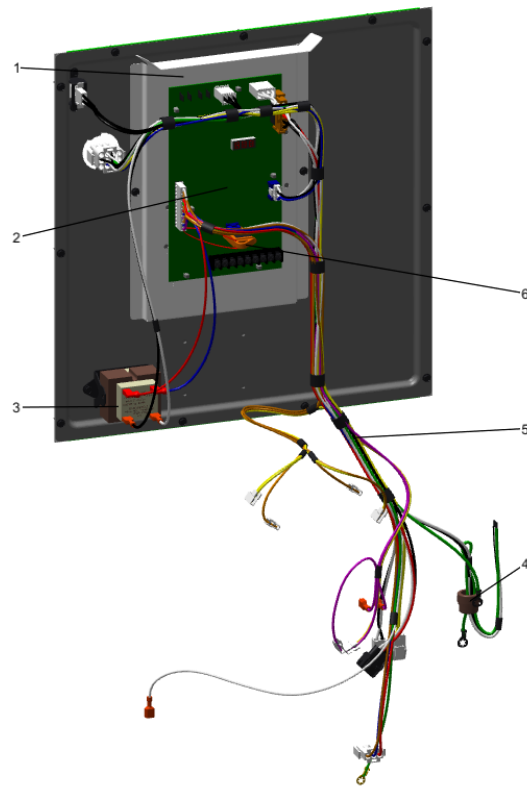
Part No.	Reference No.	Quantity	Description
BNR01305	*	1	BURNER; FLAME-SHAPER
BRK04580	*	1	BRACKET; IGNITER, 2.063 X 0.875 X 0.456
BRK04581	*	1	BRACKET; FLAME SENSOR, 2.063 X 0.875 X 0.456
PIP02095	*	1	PIPE; U-BEND, STEEL, 1/2-14 NPT, 3.42 X 2.00
WIR10828	*	1	WIRE; HARNESS-BURN-2-3-4
BOX02752	1	1	BOX; BURNER, 5.74 X 9.83 X 2.63
SEN02662	2	1	SENSOR; FLAME FOR NATURAL GAS AND LP, KANTHAL D
CMP01466	3	1	CLAMP; BURNER-3
PLT05659	4	1	PLATE; 3 BURNER, 9.83 X 5.61
SWT03968	5	1	SWITCH; FLAME ROLLOUT, 190F OPEN, 5.8 FLA, 34.8 LRA AT 120 VAC, 24 VAC, MAN RESET 100F, AUTO RESET -31F, FIXED TEMP THERMOSTAT AND NON-ADJ
MFD01443	7	1	MANIFOLD; 3
VAL09030	8	1	VALVE; GAS, NON DIRECT VENT 2 STAGE, 1/2-14 NPT, 24V, 50/60 HZ, "J" SERIES
IGN00152	9	1	MIN=12/12 IGNITER; SILICON-NITRIDE, 120V, INCLUDES BRACKET AND SCREWS
SWT03967	10	1	SWITCH; FLAME ROLLOUT, 190F OPEN, 5.8 FLA, 34.8 LRA AT 120 VAC, 24 VAC, MAN RESET 100F, AUTO RESET -31F, FIXED TEMP THERMOSTAT AND NON-ADJ
ORF01427	11	3	ORIFICE; SPUD, DRILL #45, BRASS
BNR01233	12	3	BURNER; 0.50 ID INSHOT BURNER, NATURAL GAS, STAINLESS STEEL, 2.75 X 4.50
HLD00626	13	1	HOLDER; 3 BURNER, 9.375 X 1.531

Part No.	Reference No.	Quantity	Description
0000043948~P	*		CABINET ASSEMBLY PARTS LIST



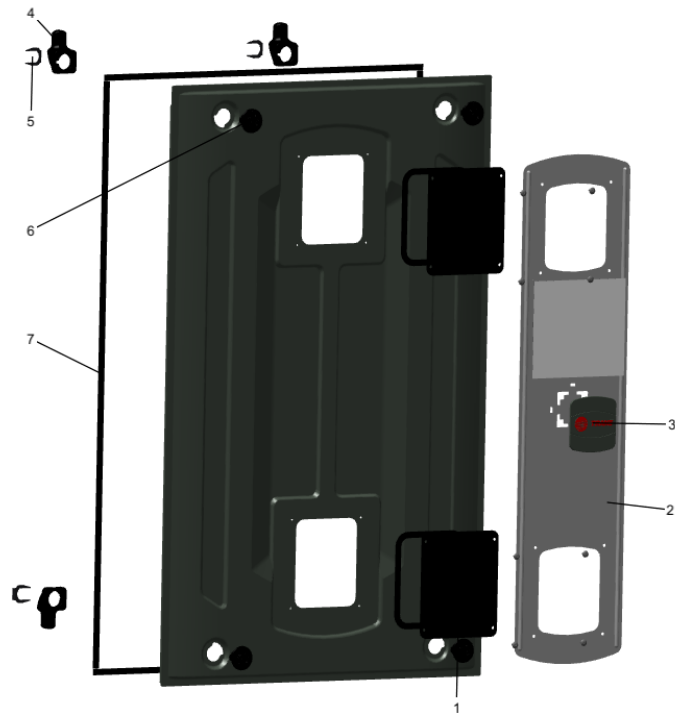
Part No.	Reference No.	Quantity	Description
GLS01089	*	2	GLASS; ASSEMBLY, INCLUDES SITE-GLASS, GASKET, 8 SCREWS
RAL01160	*	2	RAIL; BLOWER DECK, 10.65 X 1.64
SCR00972	*	4	SCREW, 10-24 TR-3 HXW 3/8 S
WIR05160	*	1	WIRE; HARNESS, 2 PIN DF, 5 INCH BLACK WIRE
SUP05947	1	1	SUPPORT; CROSSMEMBER, TOP, 17.58 X 7.17
BOX02750	2	2	BOX; ASSEMBLY, JUNCTION, INCLUDES TOP, BASE, SCREWS & BUSHING
PLU01269	4	4	PLUG; VENTING, 3.40 OD, 2.78 ID, BLACK PLASTIC
PLU01267	5	3	PLUG; GAS CONDENSATE, 2.17 OD, 1.675 ID, BLACK PLASTIC
PLU01272	5a	3	PLUG; GAS CONDENSATE, 1.5 INCH, BLACK PLASTIC
PLU01268	6	3	PLUG; ELECTRICAL, 1.19 OD, 0.875 ID, BLACK PLASTIC
PLU01273	6a	3	PLUG; ELECTRICAL, 1.0 INCH, BLACK PLASTIC
SUP05953	7	1	SUPPORT; CROSSMEMBER, BOTTOM, 17.58 X 7.17
RTR00985	8	1	RETAINER; BLOWER, 3.00 X 1.85
PNL32370	9	1	PANEL; BOTTOM, 20.92 X 17.58
PNL37176	9a	1	PANEL; BOTTOM, 20.92 X 17.58
RAL01161	10	2	RAIL; HEAT EXCHANGER, 19.15 X 3.47
SUP05943	11	2	SUPPORT; SIDE, 33.74 X 1.07 X 1.07

Part No.	Reference No.	Quantity	Description
0000036833~P	*		CONTROLS PARTS LIST

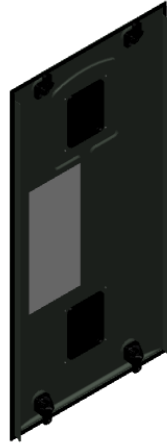


Part No.	Reference No.	Quantity	Description
GKT05000	*	2	GASKET; VESTIBULE GASKETS, ONE SIZE FITS ALL - TRIM TO FIT
SHD00602	1	1	SHIELD; BRACKET-IFC, SHEET METAL, 5.91 X 9.03
CNT07721	2	1	CONTROL; W/ IFC, 2 STAGE FURNACE CONTROL
TRR02736	3	1	TRANSFORMER; 115V-24V, 35VA, 60 HZ, CLASS 2
BUS00300	4	1	BUSHING; STRAIN RELIEF
WIR09915	5	1	WIRE; HARNESS, POWER & CONTROLS
MOD01574	6	1	MODULE; TO ORDER-SEE EXT NOTE

Part No.	Reference No.	Quantity	Description
0000036854~P	*		DOOR ASSEMBLY PARTS LIST
0000014656~P	*		FRONT DOOR PANEL PARTS LIST



Part No.	Reference No.	Quantity	Description
DOR04642	*	1	DOOR; ASM-90B-HIGH
PLT05665	*	0	PLATE; AMERICAN STANDARD BADGE, 3.17 X 3.00
GLS01089	1	2	GLASS; ASSEMBLY, INCLUDES SITE-GLASS, GASKET, 8 SCREWS
PLT05663	2	1	PLATE; DOOR OVERLAY, 28.77 X 7.00
PLT05664	3	0	PLATE; TRANE BADGE, 3.17 X 3.00
LAT01036	4	4	LATCH; TANG
LAT01037	5	4	LATCH; CLIP
LAT01035	6	4	LATCH; HUB
GKT04783	7	2	GASKET; DOOR GASKETS, TOP/BOTTOM X 2, SIDES X 2, ONE SIZE FITS ALL - TRIM TO FIT



Part No.	Reference No.	Quantity	Description
DOR04642	*	1	DOOR; ASM-90B-HIGH
PAI00248	*	1	PAINT; 12 OZ SPRAY, ANTHRACITE GRAY (SHIPPING UOM 12 OZ HAZ)
LAT01036	1	4	LATCH; TANG
LAT01037	2	4	LATCH; CLIP
LAT01035	3	4	LATCH; HUB
GLS01089	4	2	GLASS; ASSEMBLY, INCLUDES SITE-GLASS, GASKET, 8 SCREWS
PLT05663	5	1	PLATE; DOOR OVERLAY, 28.77 X 7.00
PLT05664	6a	1	PLATE; TRANE BADGE, 3.17 X 3.00
PLT05665	6b	1	PLATE; AMERICAN STANDARD BADGE, 3.17 X 3.00
SCR02475	7	8	SCREW; 8-18, TRUSS DRIVE STYLE, TYPE B BLUNT TIP
GKT04783	8	1	GASKET; DOOR GASKETS, TOP/BOTTOM X 2, SIDES X 2, ONE SIZE FITS ALL - TRIM TO FIT

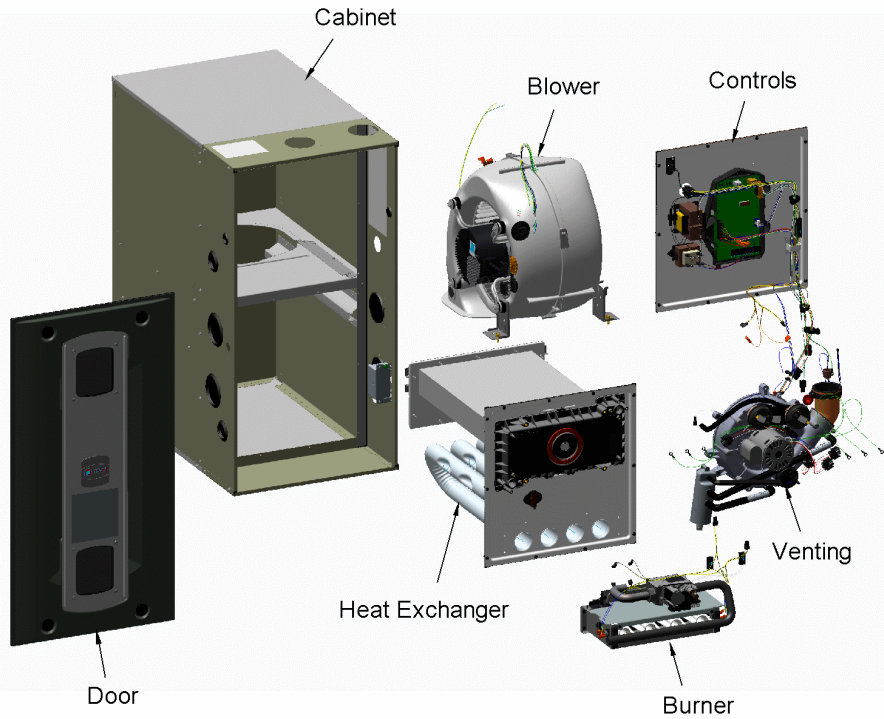
Part No.	Reference No.	Quantity	Description
0000013796~P	*		GENERAL ASSEMBLY GRAPHIC

S-SERIES FURNACE

75011132

REV.
A

Downflow



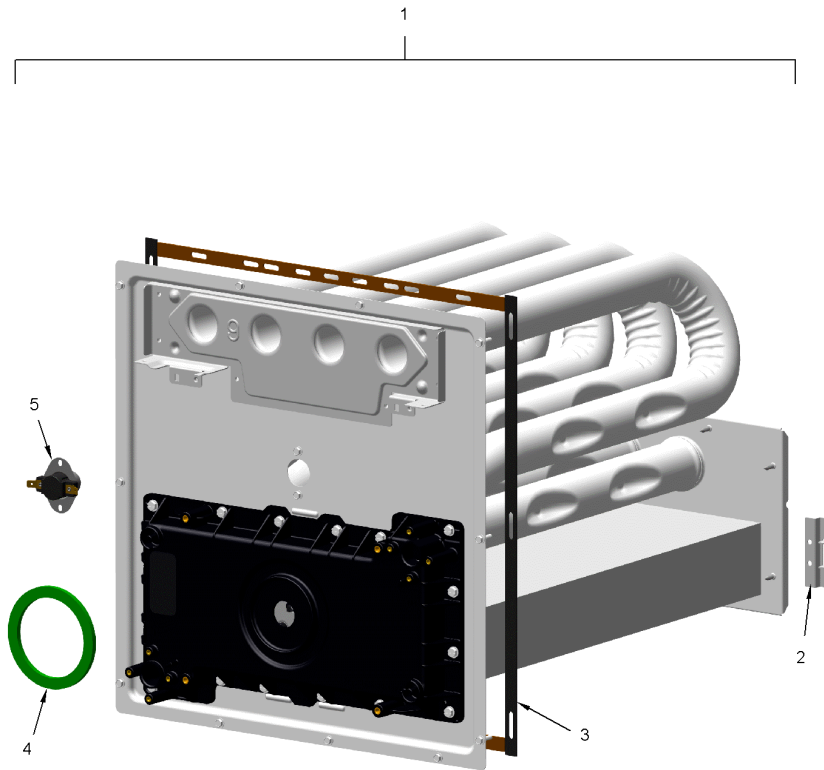
This is a typical illustration. The unit in the field may not appear exactly as shown.

Part No.	Reference No.	Quantity	Description
000004609~P	*		HEAT EXCHANGER PARTS LIST
0000044069~P	*		HEAT EXCHANGER PARTS LIST

HEAT EXCHANGER

75013667

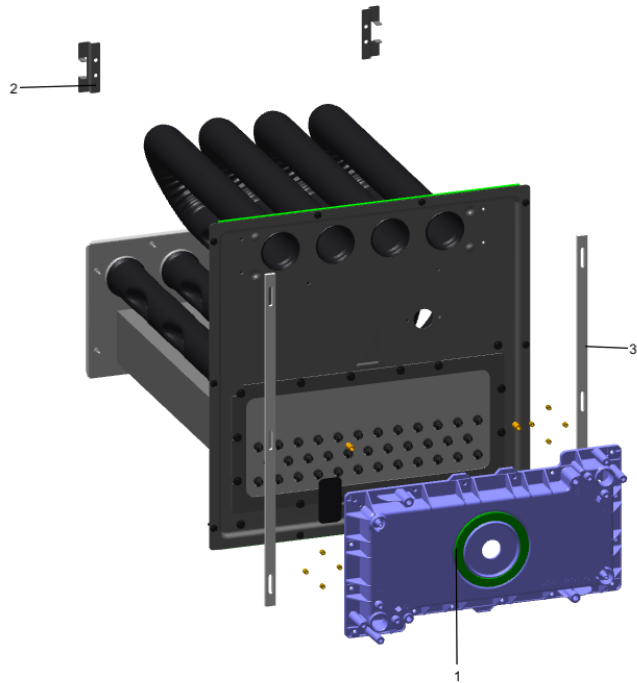
RP
A



The Thermal Limit Switch (TCO) is not included with the Heat Exchanger.

This is a typical illustration. The unit in the field may not appear exactly as shown.

Part No.	Reference No.	Quantity	Description
HDR01074	*	1	HEADER; COLD, C100
EXC02723	1	1	EXCHANGER; HEAT HX-ASM-C100
BRK04574	2	2	BRACKET; HX HOT HEADER SUPPORT, 2.50 X 1.00
GKT05000	3	1	GASKET; VESTIBULE GASKETS, ONE SIZE FITS ALL - TRIM TO FIT
GKT04780	4	1	GASKET; BLOWER INDUCER, GREEN SILICONE, 3.70 OD X 2.90 ID
SWT03938	5	1	SWITCH; LIMIT, OPEN AT 135F, CLOSE AT 105F



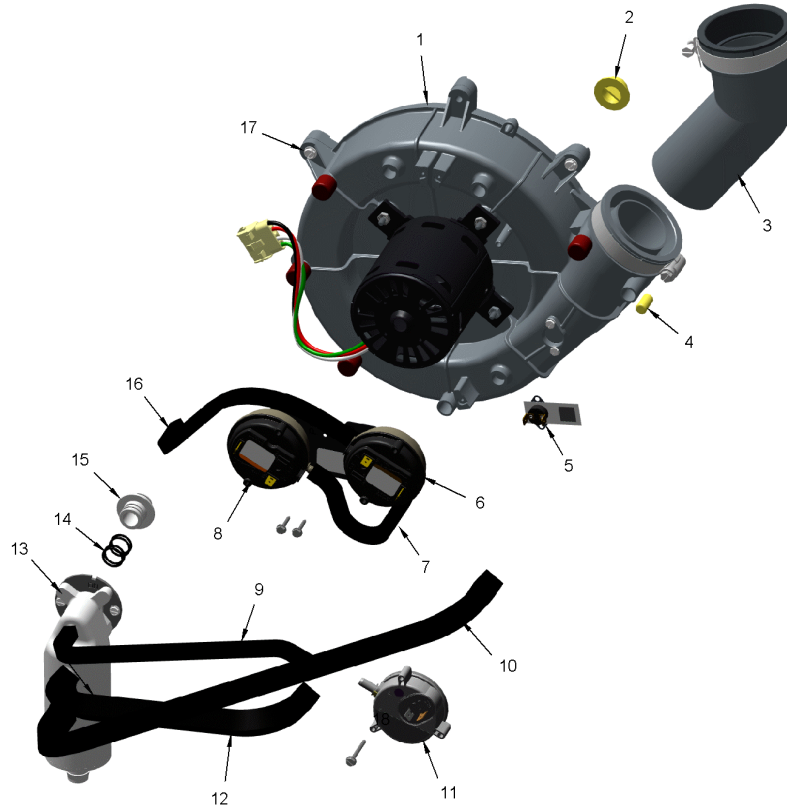
Part No.	Reference No.	Quantity	Description
EXC02923		1	EXCHANGER; HX-ASM-B60
GKT04780	1	1	GASKET; BLOWER INDUCER, GREEN SILICONE, 3.70 OD X 2.90 ID
BRK04574	2	2	BRACKET; HX HOT HEADER SUPPORT, 2.50 X 1.00
GKT05000	3	2	GASKET; VESTIBULE GASKETS, ONE SIZE FITS ALL - TRIM TO FIT

Part No.	Reference No.	Quantity	Description
0000044074~P	*		INDUCER VENTING PARTS LIST

INDUCER & VENTING

75012560

RP
A



This is a typical illustration. The unit in the field may not appear exactly as shown.

Part No.	Reference No.	Quantity	Description
SWT03924	*	0	SWITCH; PRESSURE, SPDT, 28VA PILOT DUTY AT 24 VAC, 125VA PILOT DUTY AT 120VAC, SNAP ACTING CONTACTS, OPR TEMP RANGE: -40 TO 190F, 0.20 DEG W.C.
SWT03992	*	0	SWITCH; PRESSURE, SPST, 28VA PILOT DUTY AT 24 VAC, 125VA PILOT DUTY AT 125VAC, SNAP ACTING CONTACTS, OPERATING TEMP RANGE: -40 TO 190F, .70 DEG W.C.
SWT04460	*	1	SWITCH; ASSY, PRESS
BLW01401	1	1	BLOWER; INDUCER, 2 STAGE, 115V, 60 HZ, 3300/2345 RPM, 5 MFD CPT AT 370 VAC, INCLUDES GASKET & SCREWS
PLU01271	2	1	PLUG; CONDENSATE, 0.77 OD X 0.50 ID
ELL01524	3	1	ELBOW; BLACK, WITH BOOT AND CLAMP
CAP01301	4	1	CAP; PRESSURE, BLACK VINYL, 0.25 ID X 0.625 L
SWT03927	5	1	SWITCH; BLOWER INDUCER LIMIT SWITCH, 155F OPEN, 95F CLOSE
HSE01885	7	1	HOSE; PRESSURE, 0.225 ID X 7.0 L, PS1
HSE01883	9	1	HOSE; PRESSURE SWITCH, BLACK EPDM RUBBER, 0.225 ID X 19.50 L
HSE01886	10	1	HOSE; BLOWER INDUCER, CONDENSATE, BLACK EPDM, 15.00 L, 0.475 ID
SWT03926	11	1	SWITCH; CONDENSATE, POS PRESSURE, SPST, 28VA PILOT DUTY AT 24 VAC, 125VA PILOT DUTY AT 125VAC, SNAP ACTING CONTACTS, OPERATING TEMP RANGE: -40 TO 185F
HSE01889	12	1	HOSE; CONDENSATE, BLACK EPDM, 9.00 L, 0.475 ID
SEP00285	13	1	SEPARATOR; ASSEMBLY-DOWNFLOW, INCLUDES TRAP, ADAPTERS, O-RINGS AND SCREWS
RNG02446	14	4	RING; O-RING, 0.55 ID, EPDM RUBBER
ADP01426	15	1	ADAPTER; PVC PLASTIC, 0.718 ID, 1.20 ID
HSE01884	16	1	HOSE; HIGH PRESSURE, BLACK EPDM RUBBER, 0.225 ID X 12.00 L
SCR02472	17	3	SCREW; 10-32 MACHINE SCREW, 5/16 SLOTTED HEX WASHER

Part No.	Reference No.	Quantity	Description
000005337~P	*		MODEL NUMBER GRAPHIC

MODEL NUMBER DESCRIPTION

75011116

RB
B

S-SERIES FURNACE

Example Model Number:

S 9 V 2 B 0 8 0 U 3 P S A A A
1 - - - - 5 - - - - 10 - - - - 15

Digit 1 – Level

S = Series
L = 14 ng/J Ultra-Low NOx

Digit 2 – AFUE

8 = 80%
9 = 90% or higher

Digit 3 – Blower Type

B = Builder Series (May be PSC or CTM)
P = PSC
X = CTM
V = Variable Speed

Digit 4 – Gas Valve Stages

1 = SingleStage
2 = 2 Stage
M = Modulating

Digit 5 – Cabinet Width

A = 14.5 wide
B = 17.5 wide
C = 21.0 wide
D = 24.5 wide

Digits 6,7,8 – BTU input

080 = 80,000 BTUH

Digit 9 – Poise Options

U = 3 way
D = Dedicated Downflow
M = 4 Way Poise

Digit 10 – Airflow Capacity for Cooling

2 = 2 Tons
3 = 3 Tons
4 = 4 Tons
5 = 5 Tons

Digit 11 – Inducer Type

P = PSC
X = CTM
V = Variable Speed

Digit 12 – Communicating capability

S = 24 Volt
C = Communicating System Control
T = 24 Volt, 40ng/J NOx
D = Communicating System Control,
40ng/J NOx

Digit 13 – Major Design Change

Digit 14 – Minor Design Change

Digit 15 – Service Digit Change

