

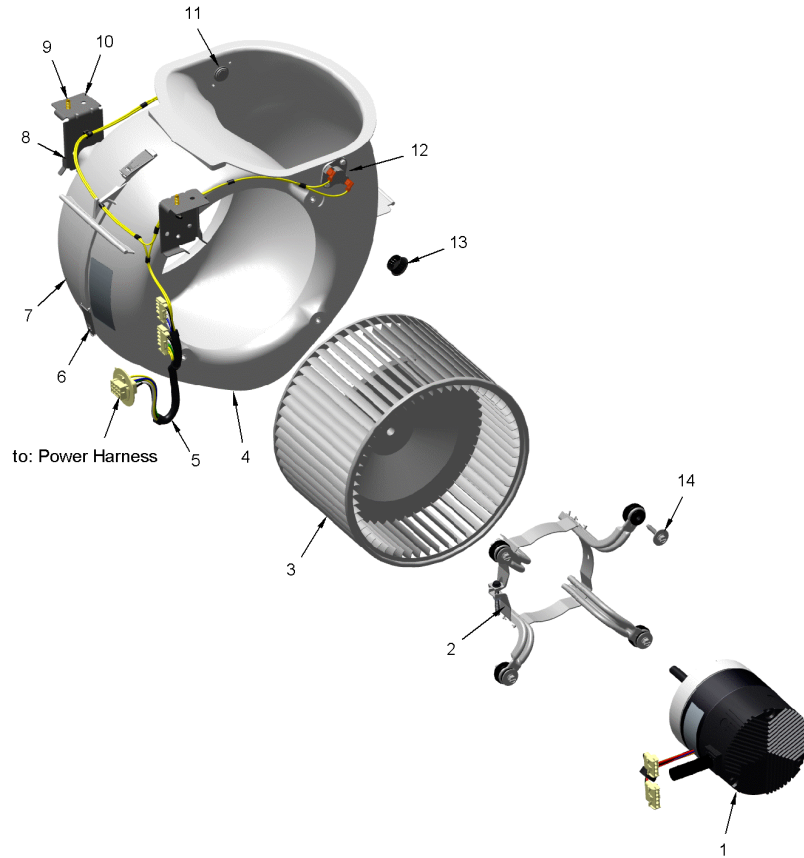
Part No.	Reference No.	Quantity	Description
0000098218~S	*		BLOWER
0000098219~S	*		BURNER
0000098220~S	*		CABINET
0000098221~S	*		CONTROLS
0000098225~S	*		FRONT DOOR PANEL
0000098217~S	*		GENERAL ASSEMBLY
0000098224~S	*		HARNESS-CONTROLS
0000098222~S	*		HARNESS-INDUCER/IGNITOR
0000098223~S	*		HARNESS-POWER
0000098226~S	*		HEAT EXCHANGER
0000098230~S	*		INDUCER & VENTING
0000098228~S	*		MODEL NUMBER DESCRIPTION
0000098229~S	*		OPTIONAL ACCESSORIES
0000098227~S	*		SHIP WITH PARTS

Part No.	Reference No.	Quantity	Description
000008916~P	*		BLOWER PARTS LIST

BLOWER

75011091

RB
B



This is a typical illustration. The unit in the field may not appear exactly as shown.

Part No.	Reference No.	Quantity	Description
BLW01410	*	1	BLOWER; ASSEMBLY-COMPLETE (ECM MOTOR, HOUSING, WHEEL, BELLY BAND, REVERSE FLOW SWITCHES)
MOT16956	1	1	MOTOR; VARIABLE SPEED, 1/2 HP, AC120V, 1200 RPM
BND00917	2a	1	BAND; BELLY BAND ASSEMBLY, INCLUDES BAND, MOTOR LEGS, MOUNTING HARDWARE
BLT01015	2b	1	BOLT; BELLY BAND, 1/4-20 UNC-2B, 3/8 HEX WASHER HEAD
WHL02916	3	1	WHEEL; BLOWER, 11 IN DIA, 8 IN WIDTH, 0.50 IN BORE, CW
HUS04192	4	1	HOUSING; BLOWER, MOLDED HALF, RIGHT SIDE, 18.00 X 15.28 X 6.92
WIR08823	5	1	WIRE; HARNESS,12-PIN- ECM MOTOR (BLU,WHT,BLK,GRN,YEL WIRES)
CLP01123	6	4	CLIP; CLEAT-BLOWER
HUS04193	7	1	HOUSING; BLOWER, MOLDED HALF, LEFT SIDE, 18.00 X 15.28 X 6.79
SCR01011	8	1	SCREW; 1/4-20 C HXW 5/8 S N
SCR01011	9	2	SCREW; 1/4-20 C HXW 5/8 S N
BRK04572	10	2	BRACKET; BLOWER DECK MOUNT, 3.65 X 2.51 X 1.84
SWT03982	11	1	SWITCH; REVERSE FLOW, OPEN AT 105F, CLOSE AT 95F
SWT01649	12	1	SWITCH; REVERSE AIRFLOW, OPEN 105F, CLOSE 95F, 120/240V, 1/4QC TERM
SCR02112	14	4	SCREW; ASSEMBLY-MOTOR MOUNT

Part No.	Reference No.	Quantity	Description
000008919~P	*		BURNER PARTS LIST

BURNER

75011113

RP
A



This is a typical illustration. The unit in the field may not appear exactly as shown.

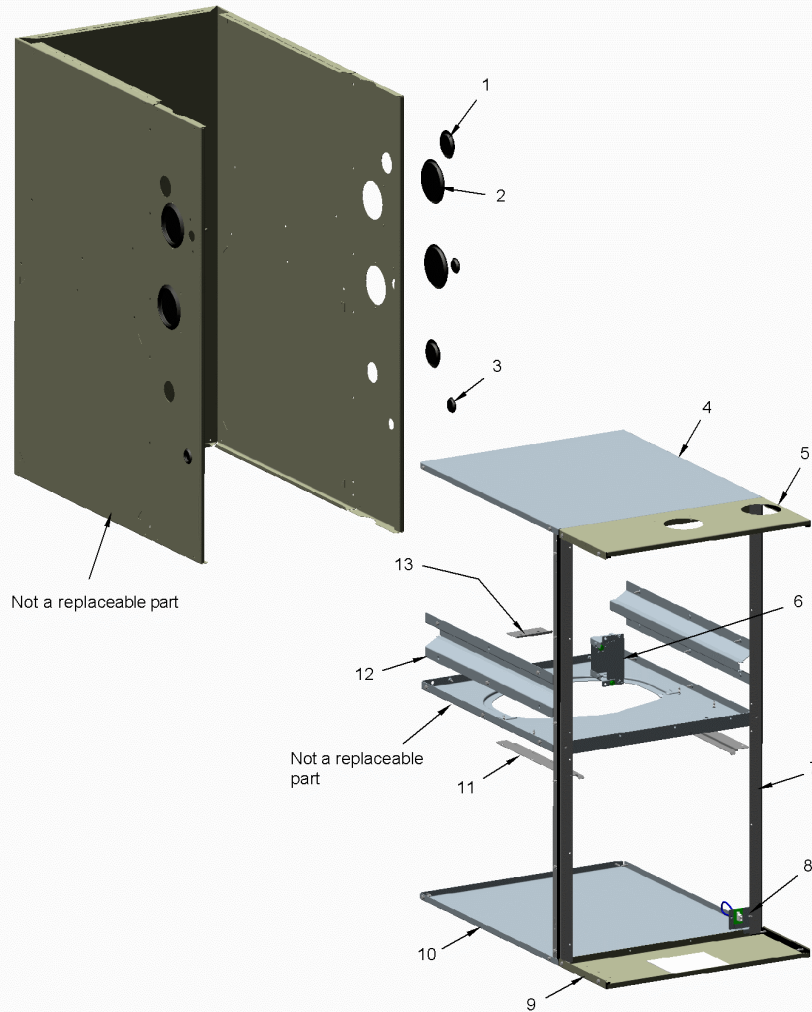
Part No.	Reference No.	Quantity	Description
BRK04576	1	1	BRACKET; 3 BURNER FLAME SHAPER, 9.74 X 3.47
BRK04581	2	1	BRACKET; FLAME SENSOR, 2.063 X 0.875 X 0.456
SEN02662	3	1	SENSOR; FLAME FOR NATURAL GAS AND LP, KANTHAL D
BOX02752	4	1	BOX; BURNER, 5.74 X 9.83 X 2.63
SWT03968	5	1	SWITCH; FLAME ROLLOUT, 190F OPEN, 5.8 FLA, 34.8 LRA AT 120 VAC, 24 VAC, MAN RESET 100F, AUTO RESET -31F, FIXED TEMP THERMOSTAT AND NON-ADJ
PLT05659	6	1	PLATE; 3 BURNER, 9.83 X 5.61
HLD00626	7	1	HOLDER; 3 BURNER, 9.375 X 1.531
CMP01466	8	1	CLAMP; BURNER-3
BNR01233	9	3	BURNER; 0.50 ID INSHOT BURNER, NATURAL GAS, STAINLESS STEEL, 2.75 X 4.50
PIP02095	10	1	PIPE; U-BEND, STEEL, 1/2-14 NPT, 3.42 X 2.00
VAL09030	11	1	VALVE; GAS, NON DIRECT VENT 2 STAGE, 1/2-14 NPT, 24V, 50/60 HZ, "J" SERIES
MFD01406	12	1	MANIFOLD; 3 HOLE
ORF01427	13	3	ORIFICE; SPUD, DRILL #45, BRASS
WIR08572	14	1	WIRE; HARNESS, UPFLOW, FROM CONTROLS HARNESS TO FLAME ROLLOUT SWITCHES AND THERMAL LIMITS, YELLOW WIRES
SWT03967	15	1	SWITCH; FLAME ROLLOUT, 190F OPEN, 5.8 FLA, 34.8 LRA AT 120 VAC, 24 VAC, MAN RESET 100F, AUTO RESET -31F, FIXED TEMP THERMOSTAT AND NON-ADJ
BRK04580	16	1	BRACKET; IGNITER, 2.063 X 0.875 X 0.456
IGN00152	17	1	MIN=12/12 IGNITER; SILICON-NITRIDE, 120V, INCLUDES BRACKET AND SCREWS

Part No.	Reference No.	Quantity	Description
000008936~P	*		CABINET PARTS LIST

CABINET

75010934

REV.
A



This is a typical illustration. The unit in the field may not appear exactly as shown.

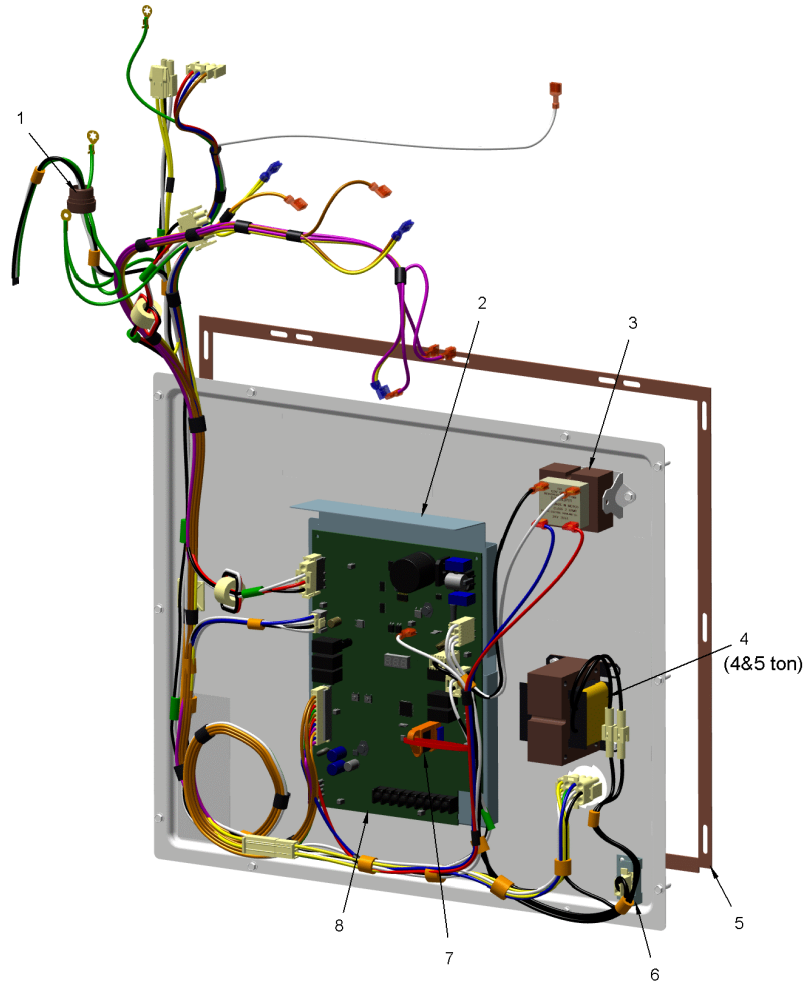
Part No.	Reference No.	Quantity	Description
PAI00074	*	1	PAINT; SPRAY, SLATE GREY, FULL GLOSS(88) (SHIPPING UOM 12 OZ HAZ)
PLU01272	1	2	PLUG; GAS CONDENSATE, 1.5 INCH, BLACK PLASTIC
PLU01269	2	4	PLUG; VENTING, 3.40 OD, 2.78 ID, BLACK PLASTIC
PLU01273	3	3	PLUG; ELECTRICAL, 1.0 INCH, BLACK PLASTIC
PNL32370	4	1	PANEL; BOTTOM, 20.92 X 17.58
SUP05944	5	1	SUPPORT; CROSSMEMBER, TOP, 17.58 X 7.17
BOX02750	6	1	BOX; ASSEMBLY, JUNCTION, INCLUDES TOP, BASE, SCREWS & BUSHING
SUP05943	7	2	SUPPORT; SIDE, 33.74 X 1.07 X 1.07
BRK04571	8a	1	BRACKET; ASSEMBLY. INCLUDES BOTH DOOR SWITCH BRACKETS AND 2 PIN WIRE HARNESS
WIR05160	8b	1	WIRE; HARNESS, 2 PIN DF, 5 INCH BLACK WIRE
SUP05950	9	1	SUPPORT; CROSSMEMBER, BOTTOM, 17.58 X 7.17
PNL32370	10	1	PANEL; BOTTOM, 20.92 X 17.58
RAL01160	11	2	RAIL; BLOWER DECK, 10.65 X 1.64
RAL01161	12	2	RAIL; HEAT EXCHANGER, 19.15 X 3.47
RTR00985	13	1	RETAINER; BLOWER, 3.00 X 1.85

Part No.	Reference No.	Quantity	Description
000008958~P	*		CONTROLS PARTS LIST

CONTROLS

75012553

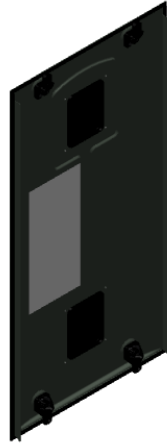
RP
A



This is a typical illustration. The unit in the field may not appear exactly as shown.

Part No.	Reference No.	Quantity	Description
BUS00300	1	1	BUSHING; STRAIN RELIEF
SHD00602	2	1	SHIELD; BRACKET-IFC, SHEET METAL, 5.91 X 9.03
TRR02736	3	1	TRANSFORMER; 115V-24V, 35VA, 60 HZ, CLASS 2
GKT04786	5	1	GASKET; VESTIBULE GASKETS, ONE SIZE FITS ALL - TRIM TO FIT
MOD01574	7	1	MODULE; TO ORDER-SEE EXT NOTE
CNT06687	8	1	CONTROL; IFC CONTROLS

Part No.	Reference No.	Quantity	Description
0000014656~P	*		FRONT DOOR PANEL PARTS LIST



Part No.	Reference No.	Quantity	Description
DOR04642	*	1	DOOR; ASM-90B-HIGH
PAI00248	*	1	PAINT; 12 OZ SPRAY, ANTHRACITE GRAY (SHIPPING UOM 12 OZ HAZ)
LAT01036	1	4	LATCH; TANG
LAT01037	2	4	LATCH; CLIP
LAT01035	3	4	LATCH; HUB
GLS01089	4	2	GLASS; ASSEMBLY, INCLUDES SITE-GLASS, GASKET, 8 SCREWS
PLT05663	5	1	PLATE; DOOR OVERLAY, 28.77 X 7.00
PLT05664	6a	1	PLATE; TRANE BADGE, 3.17 X 3.00
PLT05665	6b	1	PLATE; AMERICAN STANDARD BADGE, 3.17 X 3.00
SCR02475	7	8	SCREW; 8-18, TRUSS DRIVE STYLE, TYPE B BLUNT TIP
GKT04783	8	1	GASKET; DOOR GASKETS, TOP/BOTTOM X 2, SIDES X 2, ONE SIZE FITS ALL - TRIM TO FIT

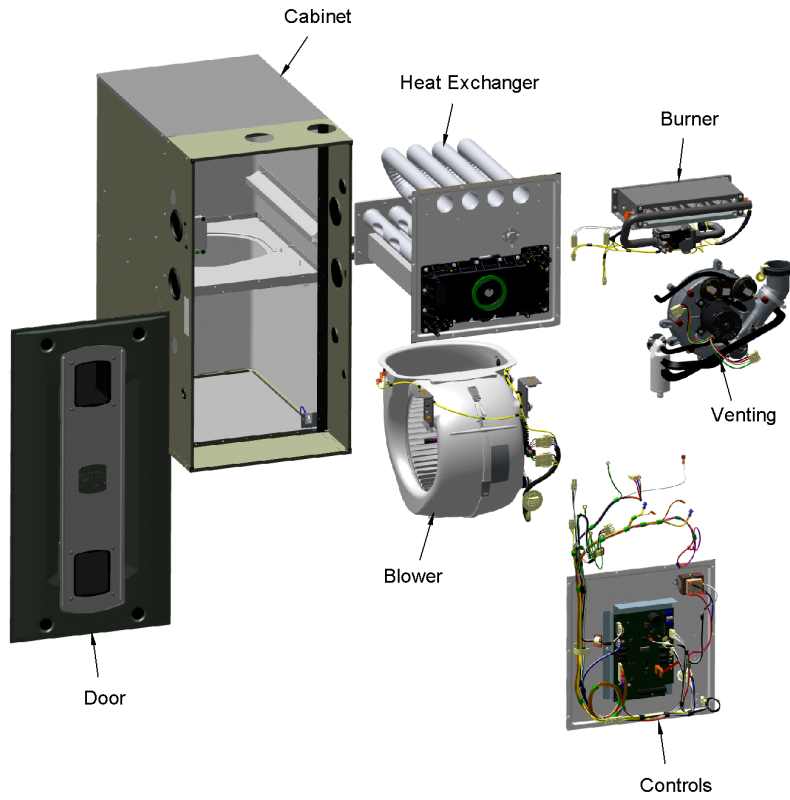
Part No.	Reference No.	Quantity	Description
000008918~P	*		GENERAL ASSEMBLY GRAPHIC

S-SERIES FURNACE

75012551

RP
A

Upflow



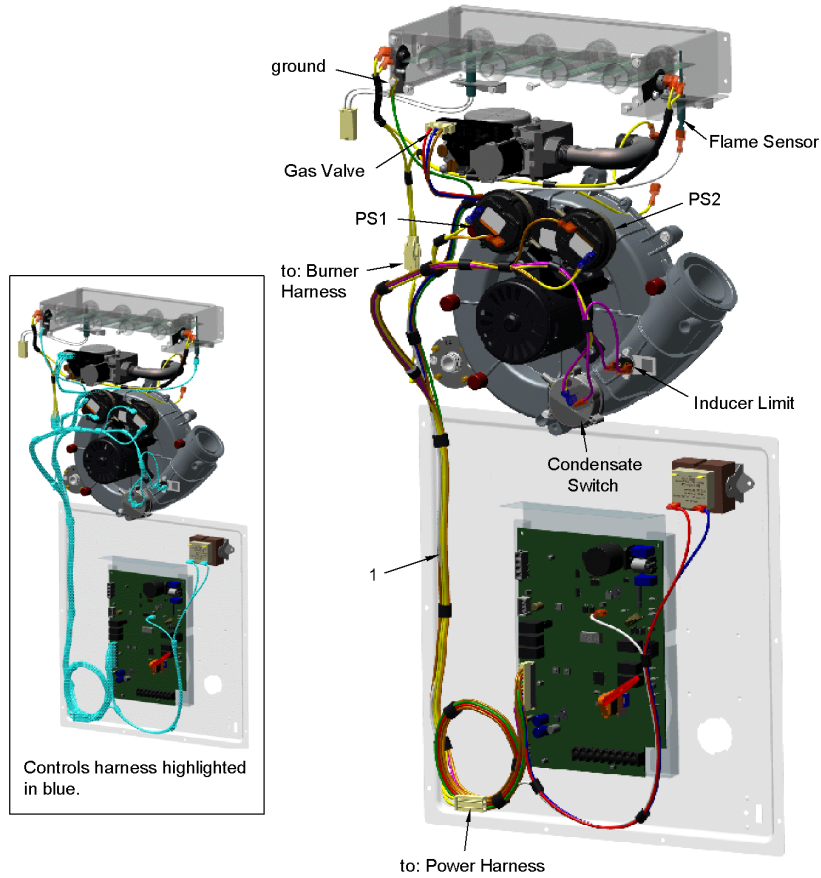
This is a typical illustration. The unit in the field may not appear exactly as shown.

Part No.	Reference No.	Quantity	Description
000008940~P	*		HARNESS-CONTROLS PARTS LIST

HARNESS - CONTROLS

75012556

RP
A



This is a typical illustration. The unit in the field may not appear exactly as shown.

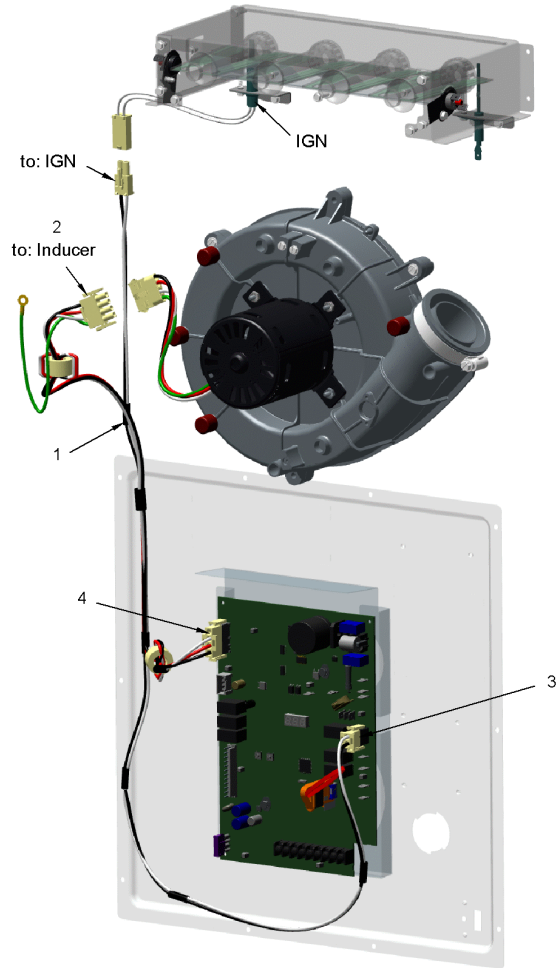
Part No.	Reference No.	Quantity	Description
WIR08907	1	1	WIRE; HARNESS; CONTROLS, UPFLOW (PUR, BLU, YEL, RED, BRN, GRN, ORG, WHT WIRES)

Part No.	Reference No.	Quantity	Description
000008941~P	*		HARNESS - INDUCER / IGNITOR PARTS LIST

HARNESS - INDUCER / IGNITOR

75012555

RP
A



This is a typical illustration. The unit in the field may not appear exactly as shown.

Parts List Number :0000097857

Model Number :S9V2B060U3VSABC

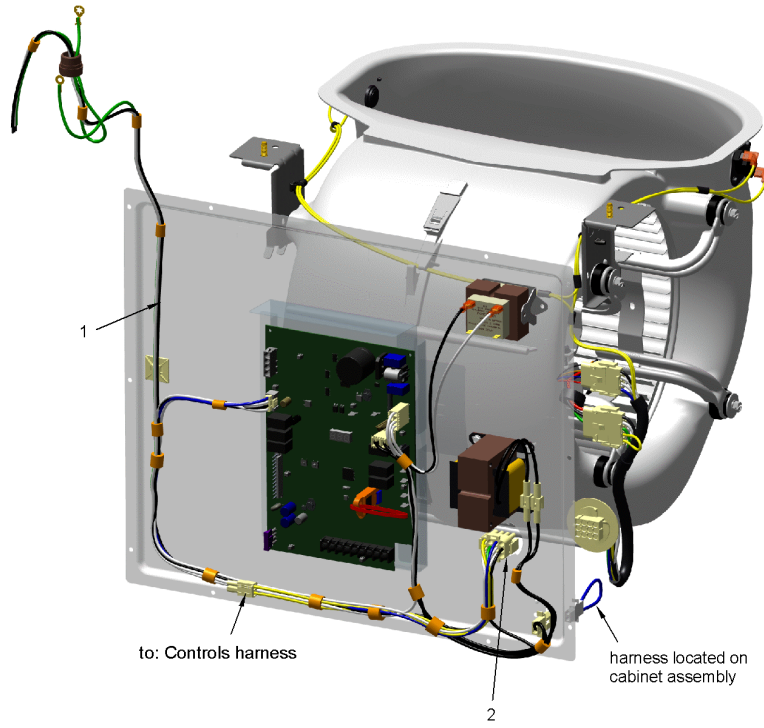
Part No.	Reference No.	Quantity	Description
WIR08911	1	1	WIRE; HARNESS, BLOWER INDUCER/IGNITER, UPFLOW (BLK, RED, WHT, GRN WIRES)
HUS03379	2	1	HOUSING; PLUG CONNECTOR, 4 CIRCUIT
CON01303	3	1	CONNECTOR; HOUSING, 2 CKT PLUG HSG
HUS03379	4	1	HOUSING; PLUG CONNECTOR, 4 CIRCUIT

Part No.	Reference No.	Quantity	Description
000008942~P	*		HARNESS - POWER PARTS LIST

HARNESS - POWER

75012559

RP
A



This is a typical illustration. The unit in the field may not appear exactly as shown.

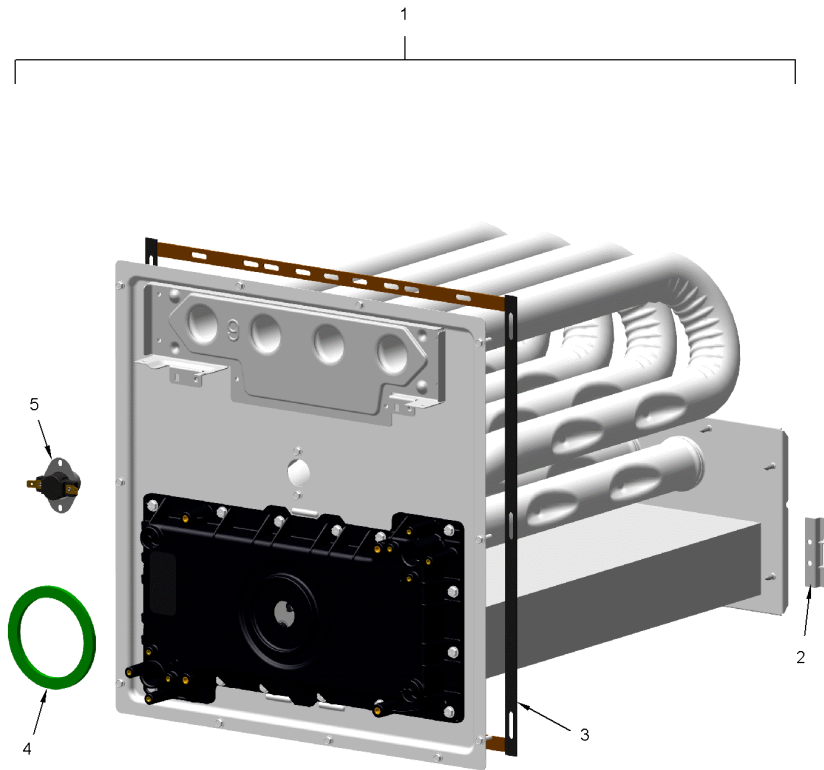
Part No.	Reference No.	Quantity	Description
WIR08903	1	1	WIRE; HARNESS, POWER, UPFLOW (BLK, WHT, BLU, GRN/YL, GRN, YEL WIRES)
CON00105	2	1	CONNECTOR; HOUSING; 12 CKT SOCKET HSG MALE

Part No.	Reference No.	Quantity	Description
000004606~P	*		HEAT EXCHANGER PARTS LIST

HEAT EXCHANGER

75013667

RP
A



The Thermal Limit Switch (TCO) is not included with the Heat Exchanger.

This is a typical illustration. The unit in the field may not appear exactly as shown.

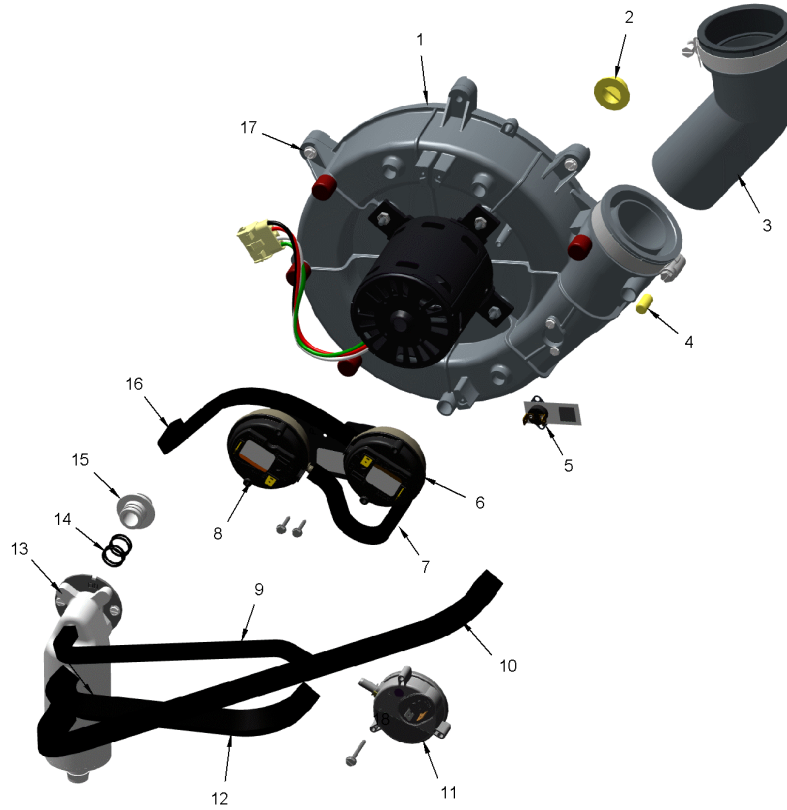
Part No.	Reference No.	Quantity	Description
EXC02720	1	1	EXCHANGER; HEAT HX-ASM-B60
BRK04574	2	2	BRACKET; HX HOT HEADER SUPPORT, 2.50 X 1.00
GKT05000	3	1	GASKET; VESTIBULE GASKETS, ONE SIZE FITS ALL - TRIM TO FIT
GKT04780	4	1	GASKET; BLOWER INDUCER, GREEN SILICONE, 3.70 OD X 2.90 ID
SWT03939	5	1	SWITCH; THERMAL, OPEN AT 140F, CLOSE AT 110F (FOR S9V2B060U3* MODELS USE SWT03941 FOR NUISANCE TRIP APPLICATIONS)

Part No.	Reference No.	Quantity	Description
000008964~P	*		INDUCER & VENTING PARTS LIST

INDUCER & VENTING

75012560

RP
A



This is a typical illustration. The unit in the field may not appear exactly as shown.

Part No.	Reference No.	Quantity	Description
BLW01462	1	1	BLOWER; INDUCER-S9-SERIES-VARIABLE SPEED
PLU01271	2	1	PLUG; CONDENSATE, 0.77 OD X 0.50 ID
ELL01524	3	1	ELBOW; BLACK, WITH BOOT AND CLAMP
CAP01301	4	1	CAP; PRESSURE, BLACK VINYL, 0.25 ID X 0.625 L
SWT03964	5	1	SWITCH; BLOWER INDUCER LIMIT SWITCH, 155F OPEN, 125F CLOSE
SWT04132	6	1	SWITCH; PRESSURE SWITCH -1.50
HSE01885	7	1	HOSE; PRESSURE, 0.225 ID X 7.0 L, PS1
SWT04127	8	1	SWITCH; PRESSURE SWITCH -0.50
HSE01883	9	1	HOSE; PRESSURE SWITCH, BLACK EPDM RUBBER, 0.225 ID X 19.50 L
HSE01886	10	1	HOSE; BLOWER INDUCER, CONDENSATE, BLACK EPDM, 15.00 L, 0.475 ID
SWT03926	11	1	SWITCH; CONDENSATE, POS PRESSURE, SPST, 28VA PILOT DUTY AT 24 VAC, 125VA PILOT DUTY AT 125VAC, SNAP ACTING CONTACTS, OPERATING TEMP RANGE: -40 TO 185F
HSE01889	12	1	HOSE; CONDENSATE, BLACK EPDM, 9.00 L, 0.475 ID
SEP00271	13	1	SEPARATOR; ASSEMBLY-UPFLOW, INCLUDES TRAP, ADAPTERS, O-RINGS AND SCREWS
RNG02446	14	4	RING; O-RING, 0.55 ID, EPDM RUBBER
ADP01426	15	1	ADAPTER; PVC PLASTIC, 0.718 ID, 1.20 ID
HSE01884	16	1	HOSE; HIGH PRESSURE, BLACK EPDM RUBBER, 0.225 ID X 12.00 L
SCR02472	17	2	SCREW; 10-32 MACHINE SCREW, 5/16 SLOTTED HEX WASHER

Part No.	Reference No.	Quantity	Description
000005337~P	*		MODEL NUMBER GRAPHIC

MODEL NUMBER DESCRIPTION

75011116

RB
B

S-SERIES FURNACE

Example Model Number:

S 9 V 2 B 0 8 0 U 3 P S A A A
1 - - - - 5 - - - - 10 - - - - 15

Digit 1 – Level

S = Series
L = 14 ng/J Ultra-Low NOx

Digit 2 – AFUE

8 = 80%
9 = 90% or higher

Digit 3 – Blower Type

B = Builder Series (May be PSC or CTM)
P = PSC
X = CTM
V = Variable Speed

Digit 4 – Gas Valve Stages

1 = SingleStage
2 = 2 Stage
M = Modulating

Digit 5 – Cabinet Width

A = 14.5 wide
B = 17.5 wide
C = 21.0 wide
D = 24.5 wide

Digits 6,7,8 – BTU input

080 = 80,000 BTUH

Digit 9 – Poise Options

U = 3 way
D = Dedicated Downflow
M = 4 Way Poise

Digit 10 – Airflow Capacity for Cooling

2 = 2 Tons
3 = 3 Tons
4 = 4 Tons
5 = 5 Tons

Digit 11 – Inducer Type

P = PSC
X = CTM
V = Variable Speed

Digit 12 – Communicating capability

S = 24 Volt
C = Communicating System Control
T = 24 Volt, 40ng/J NOx
D = Communicating System Control,
40ng/J NOx

Digit 13 – Major Design Change

Digit 14 – Minor Design Change

Digit 15 – Service Digit Change

Part No.	Reference No.	Quantity	Description
000008945~P	*		OPTIONAL ACCESSORIES LIST

Part No.	Reference No.	Quantity	Description
BYAIR30AVENTA	*	1	VENT; CONCENTRIC VENT KIT, (BAYAIR30AVENTAA)
BYAIR30CNVENT	*	1	KIT-CONCENTRIC-VENT-CANADA
BAYCNDTRAP2A	*	1	KIT-2" WATER COLLECTOR
BAYCNDTRAP3A	*	1	KIT-3" WATER COLLECTOR
BAYHALT251	*	1	KIT; HIGH ALTITUDE PRESSURE SWITCH
BAYHANG	*	1	HORIZONTAL HANGER KIT
BAYLIFTB	*	1	KIT-DUAL-RETURN-B-SIZE
BAYLPSS400B	*	1	BAYLPSS400B; LP CONVERSION KIT, INCLUDES (6) STAINLESS BURNERS, SEN02662, KIT01495 & KIT07611
BAYMFGH200B	*	1	KIT; LP CONVERSION KIT W/ (6) STAINLESS STEEL BURNERS
BAYREDUCE	*	1	KIT-REDUCER-COUPPLING-CPVC
BAYVENT200B	*	1	KIT; SIDE WALL VENT ASSEMBLY
BAYVENTCN200B	*	1	KIT-VENT-SIDE-WALL-CANADA
KIT07611	*	1	KIT; 3/8" VALVE PRESSURE CHECK KIT W/ HOSE BARB ADAPTER, ALLEN WRENCH AND PIECE OF 5/16" TUBING

SHIP WITH PARTS

Parts List Number :0000097857

Model Number :S9V2B060U3VSABC

Part No.	Reference No.	Quantity	Description
000008947~P	*		SHIP WITH PARTS LIST

SHIP WITH PARTS

75011131

REV.
A



This is a typical illustration. The unit in the field may not appear exactly as shown.

Part No.	Reference No.	Quantity	Description
TUB13975	1	1	TUBE; CONDENSATE DRAIN, INCLUDES CLAMPS, ADAPTER AND COUPLING
GRM01059	3	2	GROMMET; CONDENSATE GAS, BLACK 0.99 ID X 2.0 OD
KIT17675	4	1	KIT; 2 INCH INLET ADAPTOR (ADP01052) AND GASKET (GKT03082)
PLU01272	5	1	PLUG; GAS CONDENSATE, 1.5 INCH, BLACK PLASTIC
PLU01273	6	1	PLUG; ELECTRICAL, 1.0 INCH, BLACK PLASTIC
GRM01083	7	1	GROMMET; TRAP, 3.50 OD X 2.00 ID, BLACK, FLEXIBLE VINYL
KIT17674	8	1	KIT; OUTLET ADAPTOR WITH CLAMP AND GASKET