

Part No.	Reference No.	Quantity	Description
0000090825~S	*		BLOWER
0000090826~S	*		BURNER & INDUCER
0000090827~S	*		CABINET
0000090828~S	*		CONTROLS
0000090829~S	*		FRONT DOOR PANEL
0000090895~S	*		GENERAL ASSEMBLY GRAPHIC
0000090830~S	*		HEAT EXCHANGER
0000090832~S	*		MODEL NUMBER DESCRIPTION
0000090831~S	*		OPTIONAL ACCESSORIES

BLOWER

Parts List Number :0000090807

Model Number :S8X2B060M4PSCAA

Part No.	Reference No.	Quantity	Description
0000022536~P	*		BLOWER PARTS LIST

BLOWER

75013070

RP
A



This is a typical illustration. The unit in the field may not appear exactly as shown.

Part No.	Reference No.	Quantity	Description
SCR02624	*	4	SCREW; 8-18 X 7/8, TYPE AB, HEX CAP
SCR01011	1	3	SCREW; 1/4-20 C HXW 5/8 S N
BRK05035	2	2	BRACKET; BLOWER-OFFSET
HUS04381	3	1	HOUSING; REPL-HOUSING-METALLICA 8
WHL02916	4	1	WHEEL; BLOWER, 11 IN DIA, 8 IN WIDTH, 0.50 IN BORE, CW
SWT04157	5	1	SWITCH-REVERSE FLOW
SWT04156	6	1	SWITCH-REVERSE FLOW
MOT19954	7	1	MOTOR; CTM - 3/4 HP, PROGRAMMED
BLT01015	8	1	BOLT; BELLY BAND, 1/4-20 UNC-2B, 3/8 HEX WASHER HEAD
BND00934	9a	1	BAND; BELLY BAND ASSEMBLY, INCLUDES BAND, MOTOR LEGS, MOUNTING HARDWARE
BND00932	9b	1	BAND; MOTOR MOUNT, 17.62 LENGTH
WIR09218	10	1	WIRE; HARNESS, BLOWER, 12 PIN

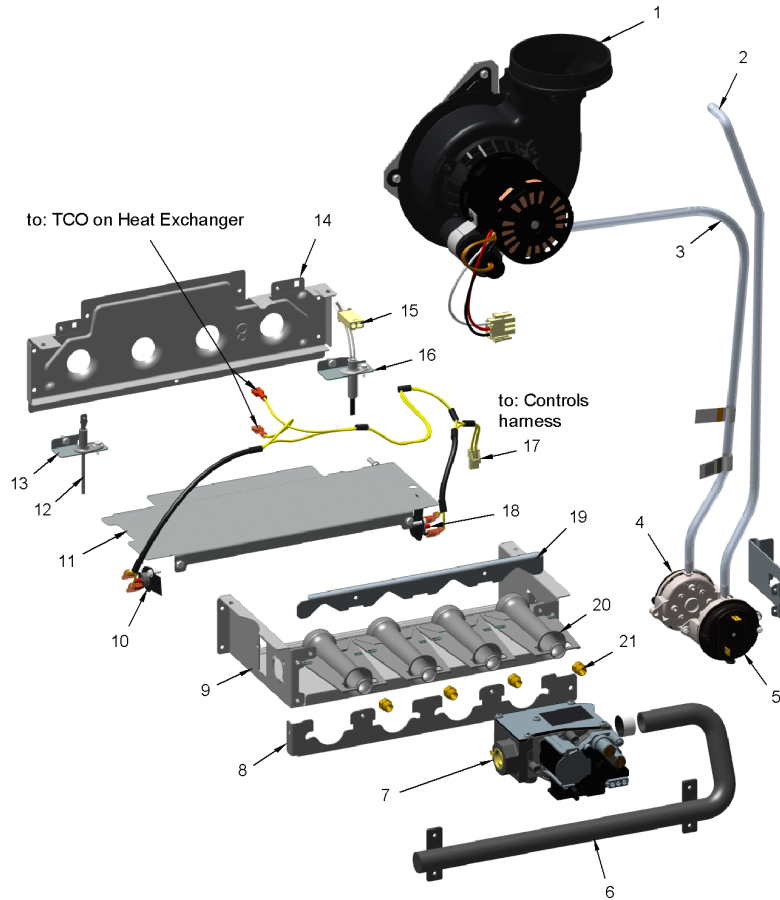
Part No.	Reference No.	Quantity	Description
0000022576~P	*		BURNER & INDUCER PARTS LIST

BURNER & INDUCER

75013183

RP
A

(Items 8, 9, 11, 14 & 19 are considered as non-replaceable parts)



This is a typical illustration. The unit in the field may not appear exactly as shown.

Part No.	Reference No.	Quantity	Description
BLW01600	1	1	BLOWER; INDUCER-80-1.40-PSC
TUB14902	2	1	TUBE; PRESSURE-HIGH-STAGE
TUB14904	3	1	TUBE; PRESSURE-LOW-STAGE
SWT04573	4	1	SWITCH; SWITCH - PRESSURE-.47
SWT04214	5	1	SWITCH; PRESSURE-.70
MFD01443	6	1	MANIFOLD; 3
VAL09030	7	1	VALVE; GAS, NON DIRECT VENT 2 STAGE, 1/2-14 NPT, 24V, 50/60 HZ, "J" SERIES
HLD00626	8	1	HOLDER; 3 BURNER, 9.375 X 1.531
BOX02752	9	1	BOX; BURNER, 5.74 X 9.83 X 2.63
SWT04163	10	1	SWITCH-FLAME-ROLLOUT
PLT05659	11	1	PLATE; 3 BURNER, 9.83 X 5.61
SEN02662	12	1	SENSOR; FLAME FOR NATURAL GAS AND LP, KANTHAL D
BRK04581	13	1	BRACKET; FLAME SENSOR, 2.063 X 0.875 X 0.456
IGN00152	15	1	MIN=12/12 IGNITER; SILICON-NITRIDE, 120V, INCLUDES BRACKET AND SCREWS
BRK04580	16	1	BRACKET; IGNITER, 2.063 X 0.875 X 0.456
WIR10828	17	1	WIRE; HARNESS-BURN-2-3-4
SWT04162	18	1	SWITCH-FLAME-ROLLOUT
CMP01466	19	1	CLAMP; BURNER-3
BNR01233	20	3	BURNER; 0.50 ID INSHOT BURNER, NATURAL GAS, STAINLESS STEEL, 2.75 X 4.50
ORF01427	21	3	ORIFICE; SPUD, DRILL #45, BRASS

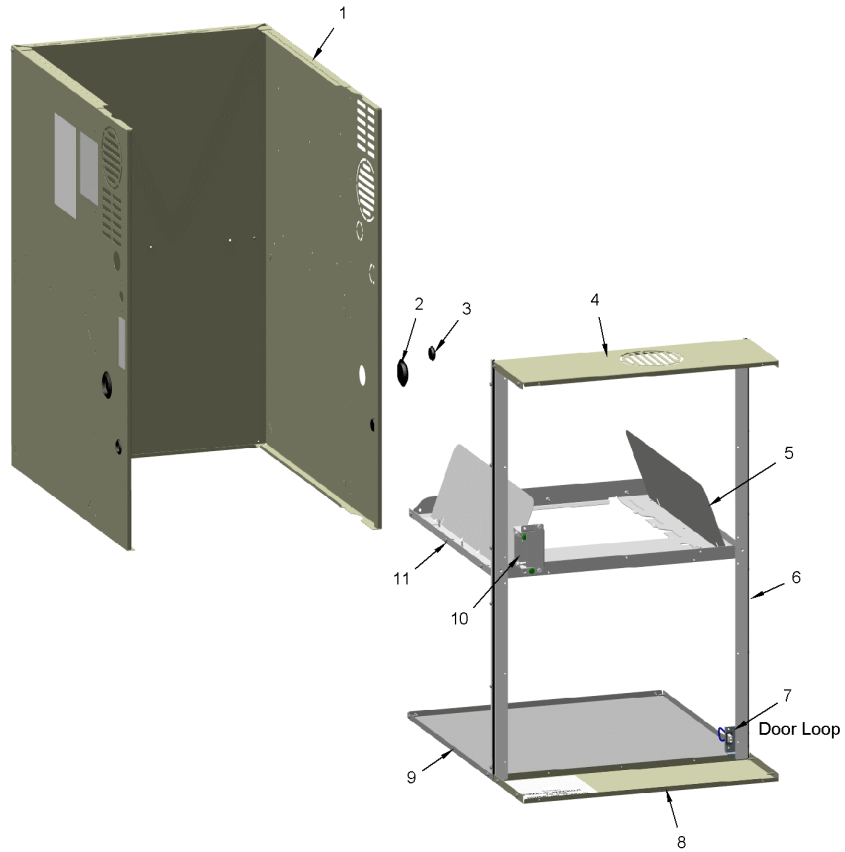
Part No.	Reference No.	Quantity	Description
000005327~P	*		CABINET PARTS LIST

CABINET

75013184

RP
A

(Items 1, 9 & 11 are considered as non-replaceable parts)



This is a typical illustration. The unit in the field may not appear exactly as shown.

Part No.	Reference No.	Quantity	Description
PAI00074	*	1	PAINT; SPRAY, SLATE GREY, FULL GLOSS(88) (SHIPPING UOM 12 OZ HAZ)
PLU01267	*	1	PLUG; GAS CONDENSATE, 2.17 OD, 1.675 ID, BLACK PLASTIC
PLU01267	2	2	PLUG; GAS CONDENSATE, 2.17 OD, 1.675 ID, BLACK PLASTIC
PLU01268	3	3	PLUG; ELECTRICAL, 1.19 OD, 0.875 ID, BLACK PLASTIC
SUP06396	4	1	SUPPORT; CROSSMEMBER-80-B
VNE01870	5	2	VANE; GUIDE
SUP05943	6	2	SUPPORT; SIDE, 33.74 X 1.07 X 1.07
WIR05160	7	1	WIRE; HARNESS, 2 PIN DF, 5 INCH BLACK WIRE
SUP06472	8	1	SUPPORT; CMEMBER-BOTTOM-80B
PNL32370	9	1	PANEL; BOTTOM, 20.92 X 17.58
BOX02750	10	1	BOX; ASSEMBLY, JUNCTION, INCLUDES TOP, BASE, SCREWS & BUSHING

Part No.	Reference No.	Quantity	Description
0000017656~P	*		CONTROLS PARTS LIST

CONTROLS

75013069

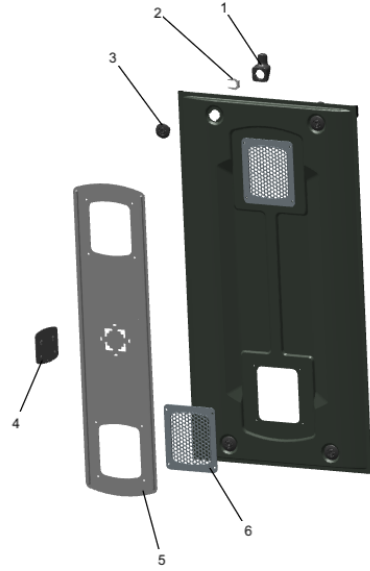
RP
A



This is a typical illustration. The unit in the field may not appear exactly as shown.

Part No.	Reference No.	Quantity	Description
TRR02736	1	1	TRANSFORMER; 115V-24V, 35VA, 60 HZ, CLASS 2
WIR09221	2	1	WIRE; HARNESS, POWER & CONTROLS, NO CHOKE
CON00105	3	1	CONNECTOR; HOUSING; 12 CKT SOCKET HSG MALE
CNT07873	4	1	CONTROL; IFC-2-CTM (THE CNT07802 PRINTED DIRECTLY ON THE IFC IS THE SAME PART AS CNT07873)
SHD00602	5	1	SHIELD; BRACKET-IFC, SHEET METAL, 5.91 X 9.03
GKT05000	6	1	GASKET; VESTIBULE GASKETS, ONE SIZE FITS ALL - TRIM TO FIT

Part No.	Reference No.	Quantity	Description
0000016496~P	*		FRONT DOOR PANEL PARTS LIST



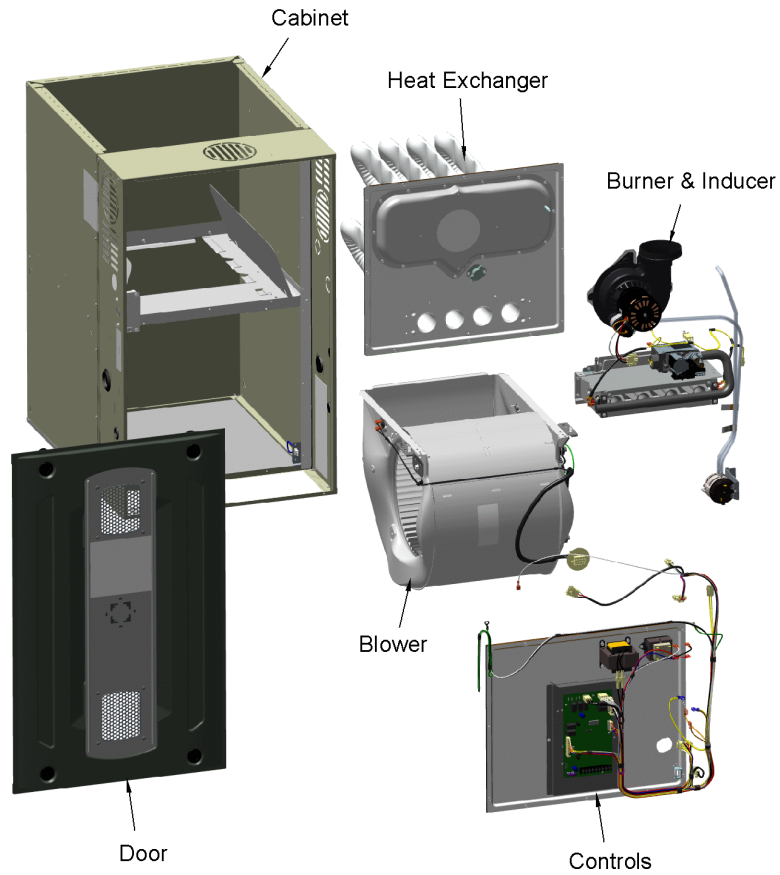
Part No.	Reference No.	Quantity	Description
DOR04648	*	1	DOOR; ASM-80B-HIGH
PAI00248	*	1	PAINT; 12 OZ SPRAY, ANTHRACITE GRAY (SHIPPING UOM 12 OZ HAZ)
LAT01036	1	4	LATCH; TANG
LAT01037	2	4	LATCH; CLIP
LAT01035	3	4	LATCH; HUB
PLT05664	4a	1	PLATE; TRANE BADGE, 3.17 X 3.00
PLT05665	4b	1	PLATE; AMERICAN STANDARD BADGE, 3.17 X 3.00
PLT05663	5	1	PLATE; DOOR OVERLAY, 28.77 X 7.00
GLS01118	6	2	GLASS; SIGHT-GLASS-80

Part No.	Reference No.	Quantity	Description
000005413~P	*		GENERAL ASSEMBLY GRAPHIC

S-SERIES FURNACE 80%
2 - STAGE

75013072

RP
A



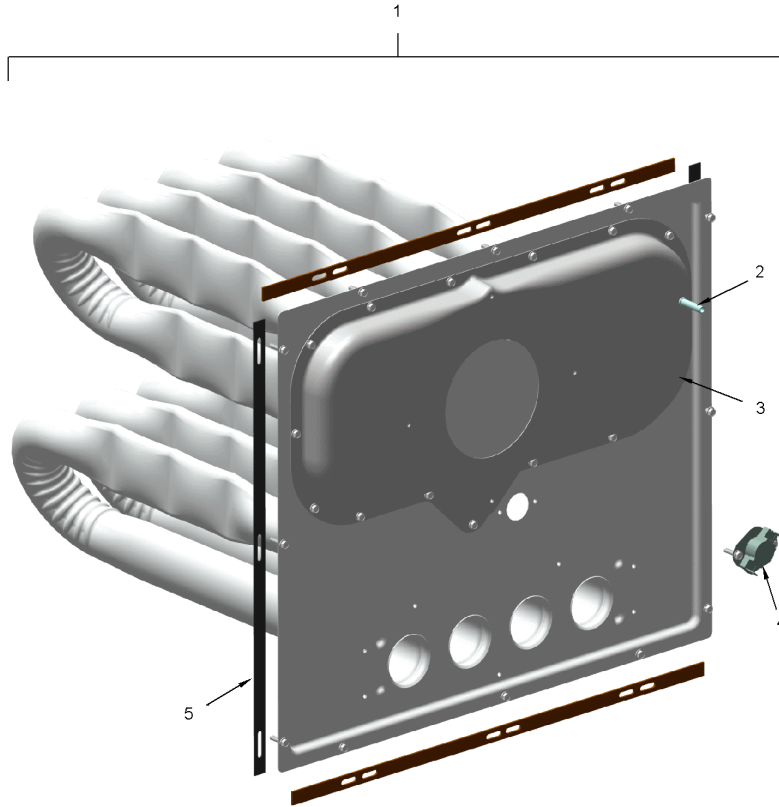
This is a typical illustration. The unit in the field may not appear exactly as shown.

Part No.	Reference No.	Quantity	Description
000022677~P	*		HEAT EXCHANGER PARTS LIST

HEAT EXCHANGER

75013073

RP
A



The Thermal Limit Switch (TCO) is not included with the Heat Exchanger.

This is a typical illustration. The unit in the field may not appear exactly as shown.

Part No.	Reference No.	Quantity	Description
EXC03023	1	1	EXCHANGER; HX-ASM-80-B60-Q
TUB08301	2	1	TUBE; PRESSURE SWITCH, STAINLESS STEEL, .025 O.D. .035 WALL THK.
BOX03707	3	1	BOX; FLUE, INCLUDES TUB08301
SWT04557	4	1	SWITCH; THERMAL
GKT05000	5	1	GASKET; VESTIBULE GASKETS, ONE SIZE FITS ALL - TRIM TO FIT

Part No.	Reference No.	Quantity	Description
000005337~P	*		MODEL NUMBER GRAPHIC

MODEL NUMBER DESCRIPTION	75011116	RB B
S-SERIES FURNACE		
<i>Example Model Number:</i> S 9 V 2 B 0 8 0 U 3 P S A A A <small>1 - - - - 5 - - - - 10 - - - - 15</small>		
Digit 1 – Level S = Series L = 14 ng/J Ultra-Low NOx	Digit 11 – Inducer Type P = PSC X = CTM V = Variable Speed	
Digit 2 – AFUE 8 = 80% 9 = 90% or higher	Digit 12 – Communicating capability S = 24 Volt C = Communicating System Control T = 24 Volt, 40ng/J NOx D = Communicating System Control, 40ng/J NOx	
Digit 3 – Blower Type B = Builder Series (May be PSC or CTM) P = PSC X = CTM V = Variable Speed	Digit 13 – Major Design Change	
Digit 4 – Gas Valve Stages 1 = SingleStage 2 = 2 Stage M = Modulating	Digit 14 – Minor Design Change	
Digit 5 – Cabinet Width A = 14.5 wide B = 17.5 wide C = 21.0 wide D = 24.5 wide	Digit 15 – Service Digit Change	
Digits 6,7,8 – BTU input 080 = 80,000 BTUH		
Digit 9 – Poise Options U = 3 way D = Dedicated Downflow M = 4 Way Poise		
Digit 10 – Airflow Capacity for Cooling 2 = 2 Tons 3 = 3 Tons 4 = 4 Tons 5 = 5 Tons		
1 of 1		

Part No.	Reference No.	Quantity	Description
000005333~P	*		OPTIONAL ACCESSORIES LIST

Part No.	Reference No.	Quantity	Description
BAYBASE205	*	1	BASE; SUB ASSEMBLY, DOWNFLOW
BAYFLTR203	*	1	FILTER; FRAMED FILTER KIT ASSY (BAYFLTR203) FOR REPLACEMENT FILTER ONLY USE FLR01611
BAYFLTR206	*	1	FILTER; ACCESS DOOR KIT (DOWNFLOW ONLY)
BAYHANG	*	1	HORIZONTAL HANGER KIT
BAYLIFTB	*	1	KIT-DUAL-RETURN-B-SIZE
BAYLPSS400B	*	1	BAYLPSS400B; LP CONVERSION KIT, INCLUDES (6) STAINLESS BURNERS, SEN02662, KIT01495 & KIT07611
BAYSWT23AHALTA	*	1	KIT; HIGH ALTITUDE PRESSURE SWITCH
BAYVENT600A	*	1	KIT- DOWNFLOW ADAPTER
BAYVENT800B	*	1	KIT; MASONRY CHIMNEY
PIP02095	*	1	PIPE; U-BEND, STEEL, 1/2-14 NPT, 3.42 X 2.00