

Part No.	Reference No.	Quantity	Description
0000104238~S	*		BLOWER
0000104239~S	*		BURNER & INDUCER
0000104242~S	*		CABINET
0000104241~S	*		CONTROLS
0000104237~S	*		GENERAL ASSEMBLY
0000104240~S	*		HEAT EXCHANGER
0000104243~S	*		MODEL NUMBER DESCRIPTION
0000104244~S	*		OPTIONAL ACCESSORIES

Part No.	Reference No.	Quantity	Description
000004421~P	*		BLOWER PARTS LIST

BLOWER

75013070

RP
A



This is a typical illustration. The unit in the field may not appear exactly as shown.

Part No.	Reference No.	Quantity	Description
SCR02624	*	4	SCREW; 8-18 X 7/8, TYPE AB, HEX CAP
SCR01011	1	3	SCREW; 1/4-20 C HXW 5/8 S N
HUS04381	3	1	HOUSING; REPL-HOUSING-METALLICA 8
WHL02916	4	1	WHEEL; BLOWER, 11 IN DIA, 8 IN WIDTH, 0.50 IN BORE, CW
SWT04159	5	1	SWITCH-REVERSE FLOW
SWT04158	6	1	SWITCH-REVERSE FLOW
MOT18717	7	1	MOTOR; CONSTANT TORQUE, PROGRAMMED, 1/2 HP, 120/50-60/1, 48 FRAME, BALL BEARING
BLT01015	8	1	BOLT; BELLY BAND, 1/4-20 UNC-2B, 3/8 HEX WASHER HEAD
BND00934	9a	1	BAND; BELLY BAND ASSEMBLY, INCLUDES BAND, MOTOR LEGS, MOUNTING HARDWARE
BND00932	9b	1	BAND; MOTOR MOUNT, 17.62 LENGTH
WIR09218	10	1	WIRE; HARNESS, BLOWER, 12 PIN

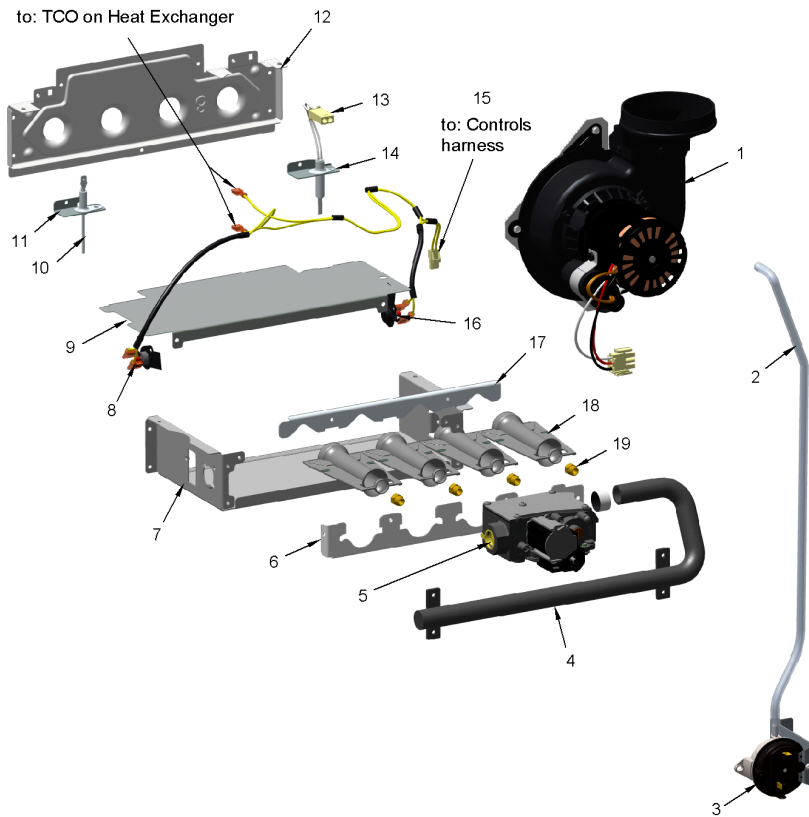
Part No.	Reference No.	Quantity	Description
000004425~P	*		BURNER & INDUCER PARTS LIST

BURNER & INDUCER

75013071

RP
A

(Items 6, 7, 9, 12 & 17 are considered as non-replaceable parts)



This is a typical illustration. The unit in the field may not appear exactly as shown.

Part No.	Reference No.	Quantity	Description
BLW01476	1	1	BLOWER; INDUCER-80-1.15-SP
TUB14902	2	1	TUBE; PRESSURE-HIGH-STAGE
SWT04214	3	1	SWITCH; PRESSURE-.70
MFD01442	4	1	MANIFOLD; 2
VAL09029	5	1	VALVE; GAS, SLOW OPENING 1/2-14 NPT, 24V, 50/60 HZ, "J" SERIES
HLD00625	6	1	HOLDER; 2 BURNER, 6.625 X 1.531
BOX02751	7	1	BOX; BURNER, 5.74 X 7.00 X 2.63
SWT03968	8	1	SWITCH; FLAME ROLLOUT, 190F OPEN, 5.8 FLA, 34.8 LRA AT 120 VAC, 24 VAC, MAN RESET 100F, AUTO RESET -31F, FIXED TEMP THERMOSTAT AND NON-ADJ
PLT05658	9	1	PLATE; 2 BURNER, 7.08 X 5.61
SEN02400	10	1	SENSOR; FLAME, NIKROTHAL 80 ELECTRODE, FOR NATURAL GAS
BRK04581	11	1	BRACKET; FLAME SENSOR, 2.063 X 0.875 X 0.456
EXC02988	12	1	EXCHANGER; BURNER-FLAME-SHAPER-2-80
IGN00152	13	1	MIN=12/12 IGNITER; SILICON-NITRIDE, 120V, INCLUDES BRACKET AND SCREWS
BRK04580	14	1	BRACKET; IGNITER, 2.063 X 0.875 X 0.456
WIR08572	15	1	WIRE; HARNESS, UPFLOW, FROM CONTROLS HARNESS TO FLAME ROLLOUT SWITCHES AND THERMAL LIMITS, YELLOW WIRES
SWT03967	16	1	SWITCH; FLAME ROLLOUT, 190F OPEN, 5.8 FLA, 34.8 LRA AT 120 VAC, 24 VAC, MAN RESET 100F, AUTO RESET -31F, FIXED TEMP THERMOSTAT AND NON-ADJ
BNR01233	18	2	BURNER; 0.50 ID INSHOT BURNER, NATURAL GAS, STAINLESS STEEL, 2.75 X 4.50
ORF01427	19	2	ORIFICE; SPUD, DRILL #45, BRASS

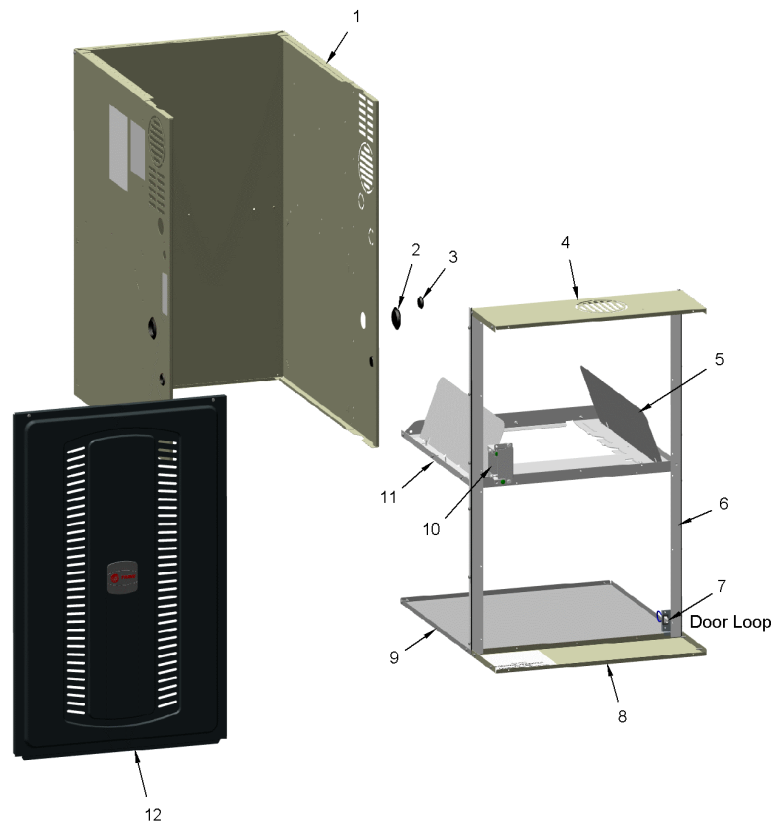
Part No.	Reference No.	Quantity	Description
0000010476~P	*		CABINET PARTS LIST

CABINET

75013074

RP
A

(Items 1, 9 & 11 are considered as non-replaceable parts)



This is a typical illustration. The unit in the field may not appear exactly as shown.

Part No.	Reference No.	Quantity	Description
PAI00074	*	1	PAINT; SPRAY, SLATE GREY, FULL GLOSS(88) (SHIPPING UOM 12 OZ HAZ)
PAI00248	*	1	PAINT; 12 OZ SPRAY, ANTHRACITE GRAY (SHIPPING UOM 12 OZ HAZ)
PLU01267	*	1	PLUG; GAS CONDENSATE, 2.17 OD, 1.675 ID, BLACK PLASTIC
PLU01267	2	2	PLUG; GAS CONDENSATE, 2.17 OD, 1.675 ID, BLACK PLASTIC
PLU01268	3	3	PLUG; ELECTRICAL, 1.19 OD, 0.875 ID, BLACK PLASTIC
SUP06395	4	1	SUPPORT; CROSSMEMBER-80-A
VNE01870	5	2	VANE; GUIDE
SUP05943	6	2	SUPPORT; SIDE, 33.74 X 1.07 X 1.07
WIR05160	7	1	WIRE; HARNESS, 2 PIN DF, 5 INCH BLACK WIRE
SUP06471	8	1	SUPPORT; CMEMBER-BOTTOM-80A
BOX02750	10	1	BOX; ASSEMBLY, JUNCTION, INCLUDES TOP, BASE, SCREWS & BUSHING
DOR04463	12	1	DOOR; REPL-DOOR-ASM-80A-MID
PLT05664	12a	1	PLATE; TRANE BADGE, 3.17 X 3.00
PLT05665	12b	1	PLATE; AMERICAN STANDARD BADGE, 3.17 X 3.00

Part No.	Reference No.	Quantity	Description
0000010458~P	*		CONTROLS PARTS LIST

CONTROLS

75013069

RP
A



This is a typical illustration. The unit in the field may not appear exactly as shown.

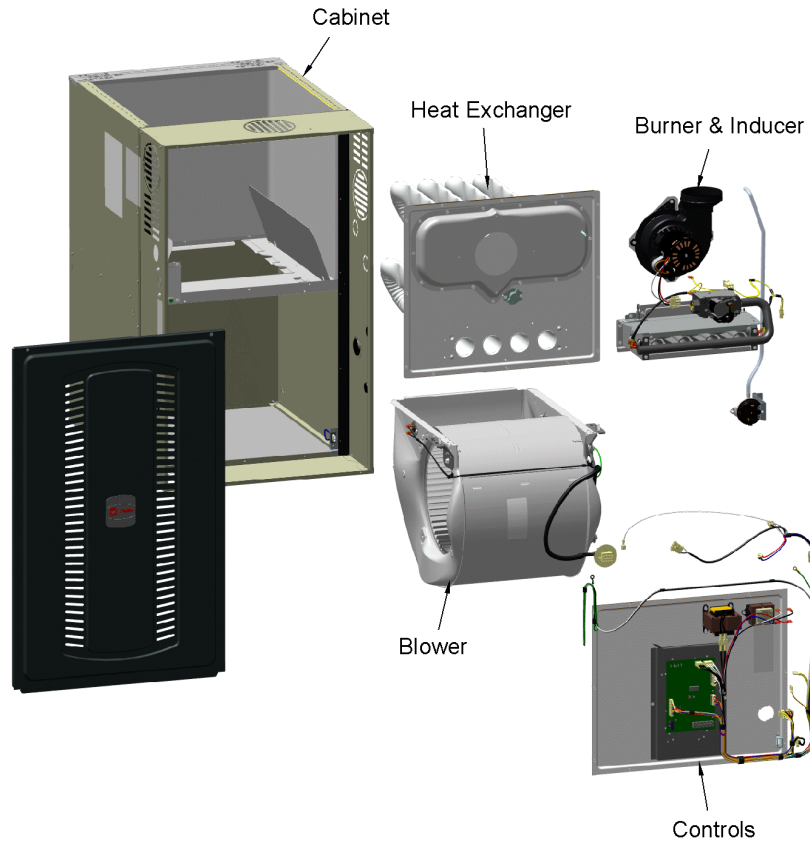
Part No.	Reference No.	Quantity	Description
TRR02736	1	1	TRANSFORMER; 115V-24V, 35VA, 60 HZ, CLASS 2
WIR09219	2	1	WIRE; HARNESS, POWER & CONTROLS, NO CHOKE
CON00105	3	1	CONNECTOR; HOUSING; 12 CKT SOCKET HSG MALE
CNT07872	4	1	CONTROL; IFC-1-CTM (THE CNT07639 PRINTED DIRECTLY ON THE IFC IS THE SAME PART AS CNT07872)
GKT05000	5	1	GASKET; VESTIBULE GASKETS, ONE SIZE FITS ALL - TRIM TO FIT
SHD00602	6	1	SHIELD; BRACKET-IFC, SHEET METAL, 5.91 X 9.03

Part No.	Reference No.	Quantity	Description
0000010459~P	*		GENERAL ASSEMBLY GRAPHIC

S-SERIES FURNACE 80%

75013068

RP
A



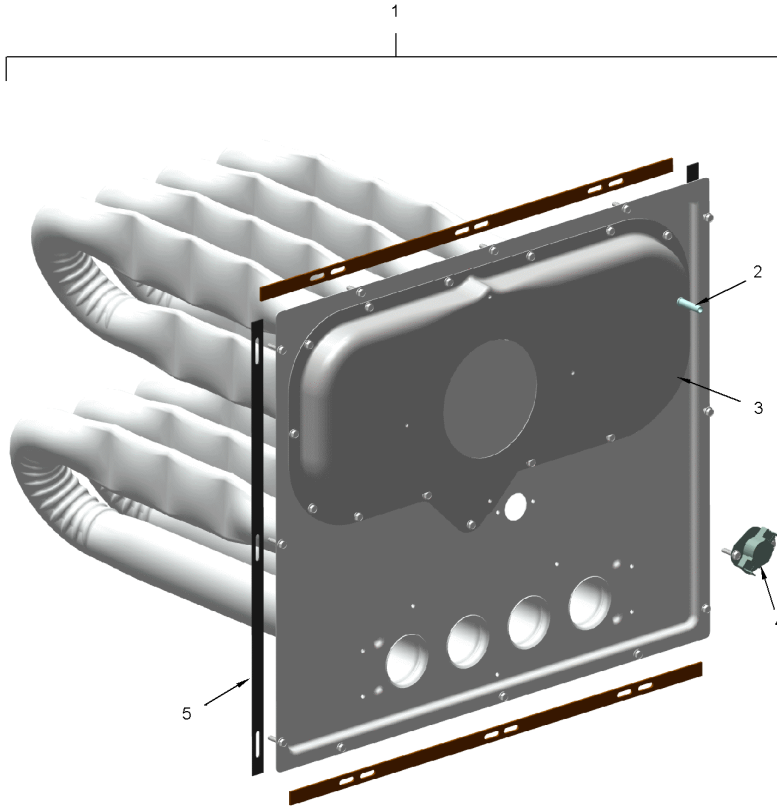
This is a typical illustration. The unit in the field may not appear exactly as shown.

Part No.	Reference No.	Quantity	Description
000004418~P	*		HEAT EXCHANGER PARTS LIST

HEAT EXCHANGER

75013073

RP
A



The Thermal Limit Switch (TCO) is not included with the Heat Exchanger.

This is a typical illustration. The unit in the field may not appear exactly as shown.

Part No.	Reference No.	Quantity	Description
EXC02808	1	1	EXCHANGER; HX-ASM-80-A
TUB08301	2	1	TUBE; PRESSURE SWITCH, STAINLESS STEEL, .025 O.D. .035 WALL THK.
BOX03706	3	1	BOX; FLUE, INCLUDES TUB08301
SWT04236	4	1	SWITCH; THERMAL
GKT05000	5	1	GASKET; VESTIBULE GASKETS, ONE SIZE FITS ALL - TRIM TO FIT

Part No.	Reference No.	Quantity	Description
000005337~P	*		MODEL NUMBER GRAPHIC

MODEL NUMBER DESCRIPTION	75011116	RB B
S-SERIES FURNACE		
<i>Example Model Number:</i> S 9 V 2 B 0 8 0 U 3 P S A A A <small>1 - - - - 5 - - - - 10 - - - - 15</small>		
Digit 1 – Level S = Series L = 14 ng/J Ultra-Low NOx	Digit 11 – Inducer Type P = PSC X = CTM V = Variable Speed	
Digit 2 – AFUE 8 = 80% 9 = 90% or higher	Digit 12 – Communicating capability S = 24 Volt C = Communicating System Control T = 24 Volt, 40ng/J NOx D = Communicating System Control, 40ng/J NOx	
Digit 3 – Blower Type B = Builder Series (May be PSC or CTM) P = PSC X = CTM V = Variable Speed	Digit 13 – Major Design Change	
Digit 4 – Gas Valve Stages 1 = SingleStage 2 = 2 Stage M = Modulating	Digit 14 – Minor Design Change	
Digit 5 – Cabinet Width A = 14.5 wide B = 17.5 wide C = 21.0 wide D = 24.5 wide	Digit 15 – Service Digit Change	
Digits 6,7,8 – BTU input 080 = 80,000 BTUH		
Digit 9 – Poise Options U = 3 way D = Dedicated Downflow M = 4 Way Poise		
Digit 10 – Airflow Capacity for Cooling 2 = 2 Tons 3 = 3 Tons 4 = 4 Tons 5 = 5 Tons		
		1 of 1

Part No.	Reference No.	Quantity	Description
0000010500~P	*		OPTIONAL ACCESSORIES LIST

Part No.	Reference No.	Quantity	Description
BAYBASE205	*	1	BASE; SUB ASSEMBLY, DOWNFLOW
BAYFLTR206	*	1	FILTER; ACCESS DOOR KIT (DOWNFLOW ONLY)
BAYHANG	*	1	HORIZONTAL HANGER KIT
BAYLPSS400B	*	1	BAYLPSS400B; LP CONVERSION KIT, INCLUDES (6) STAINLESS BURNERS, SEN02662, KIT01495 & KIT07611
BAYSWT21AHALTA	*	1	KIT; HIGH ALTITUDE PRESSURE SWITCH
BAYVENT600A	*	1	KIT- DOWNFLOW ADAPTER
BAYVENT800B	*	1	KIT; MASONRY CHIMNEY
PIP02095	*	1	PIPE; U-BEND, STEEL, 1/2-14 NPT, 3.42 X 2.00