

Part No.	Reference No.	Quantity	Description
0000104141~S	*		BLOWER
0000104142~S	*		BURNER & INDUCER
0000104145~S	*		CABINET
0000104144~S	*		CONTROLS
0000104140~S	*		GENERAL ASSEMBLY
0000104143~S	*		HEAT EXCHANGER
0000104146~S	*		MODEL NUMBER DESCRIPTION
0000104147~S	*		OPTIONAL ACCESSORIES

Part No.	Reference No.	Quantity	Description
0000022557~P	*		BLOWER PARTS LIST

BLOWER

75013070

RP
A



This is a typical illustration. The unit in the field may not appear exactly as shown.

Part No.	Reference No.	Quantity	Description
SCR02624	*	4	SCREW; 8-18 X 7/8, TYPE AB, HEX CAP
SCR01011	1	3	SCREW; 1/4-20 C HXW 5/8 S N
BRK05035	2	2	BRACKET; BLOWER-OFFSET
HUS04382	3	1	HOUSING; REPL-HOUSING-METALLICA 11
WHL03718	4	1	WHEEL; BLOWER, 11.95 IN DIA, 11.93 IN WIDTH, 0.50 IN BORE, 54 BLADES, CW
SWT04157	5	1	SWITCH-REVERSE FLOW
SWT04156	6	1	SWITCH-REVERSE FLOW
MOT19955	7	1	MOTOR; CTM - 1 HP, PROGRAMMED
BLT01015	8	1	BOLT; BELLY BAND, 1/4-20 UNC-2B, 3/8 HEX WASHER HEAD
BND00934	9a	1	BAND; BELLY BAND ASSEMBLY, INCLUDES BAND, MOTOR LEGS, MOUNTING HARDWARE
BND00932	9b	1	BAND; MOTOR MOUNT, 17.62 LENGTH
WIR09218	10	1	WIRE; HARNESS, BLOWER, 12 PIN

Part No.	Reference No.	Quantity	Description
0000023077~P	*		BURNER & INDUCER PARTS LIST

BURNER & INDUCER

75013071

RP
A

(Items 6, 7, 9, 12 & 17 are considered as non-replaceable parts)



This is a typical illustration. The unit in the field may not appear exactly as shown.

Part No.	Reference No.	Quantity	Description
BLW01671	1	1	BLOWER; INDUCER-80-2.500-PSC
TUB14902	2	1	TUBE; PRESSURE-HIGH-STAGE
SWT04214	3	1	SWITCH; PRESSURE-.70
MFD01445	4	1	MANIFOLD; 5
VAL09029	5	1	VALVE; GAS, SLOW OPENING 1/2-14 NPT, 24V, 50/60 HZ, "J" SERIES
HLD00628	6	1	HOLDER; 5 BURNER, 14.875 X 1.531
BOX02754	7	1	BOX; BURNER, 5.74 X 15.33 X 2.63
SWT04163	8	1	SWITCH-FLAME-ROLLOUT
PLT05661	9	1	PLATE; 5 BURNER, 15.33 X 5.61
SEN02662	10	1	SENSOR; FLAME FOR NATURAL GAS AND LP, KANTHAL D
BRK04581	11	1	BRACKET; FLAME SENSOR, 2.063 X 0.875 X 0.456
IGN00152	13	1	MIN=12/12 IGNITER; SILICON-NITRIDE, 120V, INCLUDES BRACKET AND SCREWS
BRK04580	14	1	BRACKET; IGNITER, 2.063 X 0.875 X 0.456
WIR09934	15	1	WIRE; HARNESS-BURN-5-6
SWT04162	16	1	SWITCH-FLAME-ROLLOUT
CMP01468	17	1	CLAMP; BURNER-5
BNR01233	18	5	BURNER; 0.50 ID INSHOT BURNER, NATURAL GAS, STAINLESS STEEL, 2.75 X 4.50
ORF01427	19	5	ORIFICE; SPUD, DRILL #45, BRASS

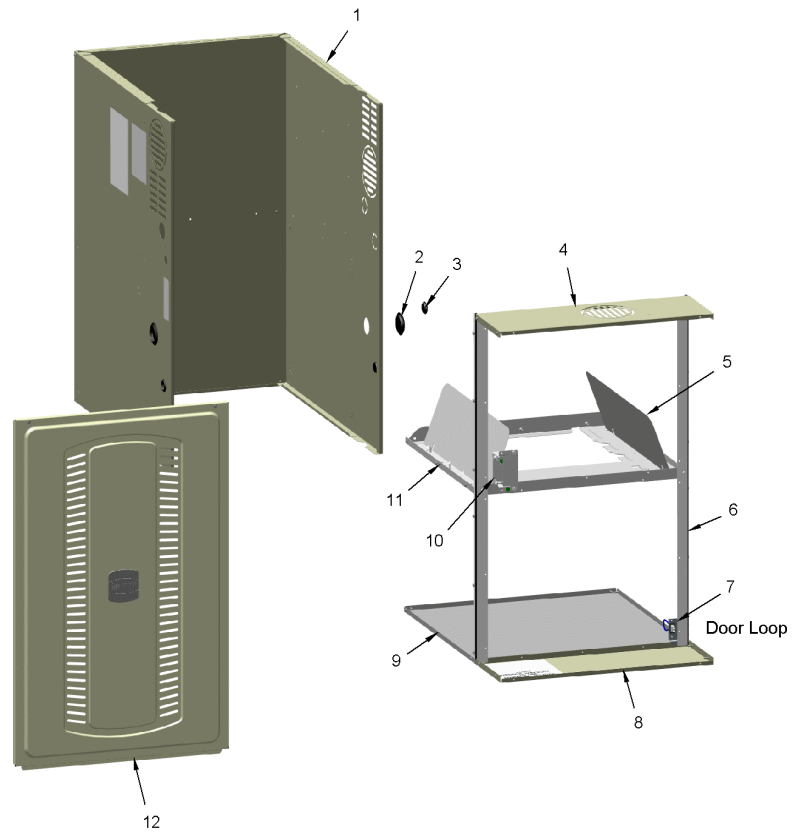
Part No.	Reference No.	Quantity	Description
0000010438~P	*		CABINET PARTS LIST

CABINET

75013349

RP
A

(Items 1, 9 & 11 are considered as non-replaceable parts)



This is a typical illustration. The unit in the field may not appear exactly as shown.

Part No.	Reference No.	Quantity	Description
PAI00074	*	1	PAINT; SPRAY, SLATE GREY, FULL GLOSS(88) (SHIPPING UOM 12 OZ HAZ)
PLU01267	*	1	PLUG; GAS CONDENSATE, 2.17 OD, 1.675 ID, BLACK PLASTIC
PLU01267	2	2	PLUG; GAS CONDENSATE, 2.17 OD, 1.675 ID, BLACK PLASTIC
PLU01268	3	3	PLUG; ELECTRICAL, 1.19 OD, 0.875 ID, BLACK PLASTIC
SUP06397	4	1	SUPPORT; CROSSMEMBER-80-C
VNE01870	5	2	VANE; GUIDE
SUP05943	6	2	SUPPORT; SIDE, 33.74 X 1.07 X 1.07
WIR05160	7	1	WIRE; HARNESS, 2 PIN DF, 5 INCH BLACK WIRE
SUP06473	8	1	SUPPORT; CMEMBER-BOTTOM-80C
PNL32371	9	1	PANEL; BOTTOM, 20.92 X 21.08
BOX02750	10	1	BOX; ASSEMBLY, JUNCTION, INCLUDES TOP, BASE, SCREWS & BUSHING
DOR04530	12a	1	DOOR; ASM-S8B1-C SIZE
PLT05665	12b	1	PLATE; AMERICAN STANDARD BADGE, 3.17 X 3.00
PLT05664	12c	1	PLATE; TRANE BADGE, 3.17 X 3.00

Part No.	Reference No.	Quantity	Description
000004432~P	*		CONTROLS PARTS LIST

CONTROLS

75013069

RP
A



This is a typical illustration. The unit in the field may not appear exactly as shown.

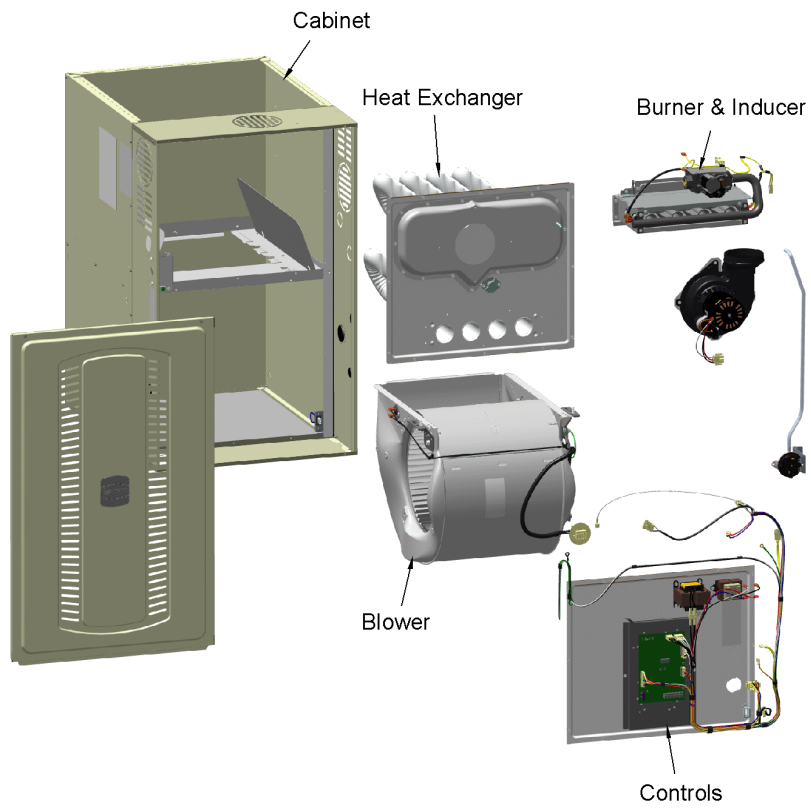
Part No.	Reference No.	Quantity	Description
BUS00300	*	1	BUSHING; STRAIN RELIEF
PNL37122	*	1	PANEL; VESTIBULE-BOTTOM, C CABINET, 19.59 X 16.75
TRR02736	1	1	TRANSFORMER; 115V-24V, 35VA, 60 HZ, CLASS 2
WIR09220	2	1	WIRE; HARNESS, POWER & CONTROLS, CHOKE
CON00105	3	1	CONNECTOR; HOUSING; 12 CKT SOCKET HSG MALE
CNT07940	4	1	CONTROL; INTEGRATED FURNACE CONTROL; A801X
GKT05000	5	1	GASKET; VESTIBULE GASKETS, ONE SIZE FITS ALL - TRIM TO FIT
SHD00602	6	1	SHIELD; BRACKET-IFC, SHEET METAL, 5.91 X 9.03
TRR02737	7	1	TRANSFORMER; CHOKE LINE, 12 AMPS RMS AC, 600V

Part No.	Reference No.	Quantity	Description
0000010416~P	*		GENERAL ASSEMBLY GRAPHIC

S-SERIES FURNACE 80%

75013348

RP
A



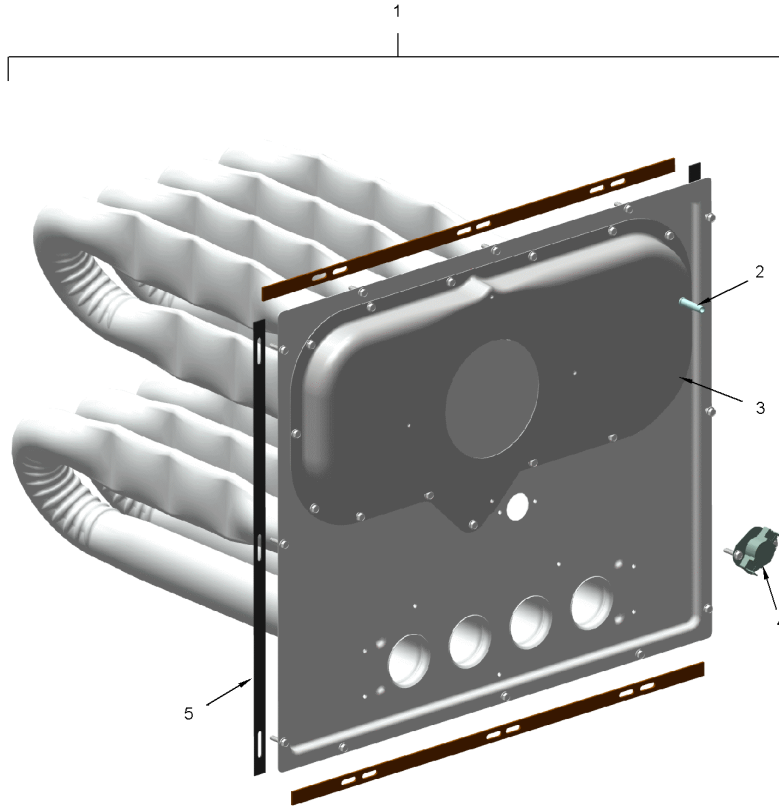
This is a typical illustration. The unit in the field may not appear exactly as shown.

Part No.	Reference No.	Quantity	Description
0000022681~P	*		HEAT EXCHANGER PARTS LIST

HEAT EXCHANGER

75013073

RP
A



The Thermal Limit Switch (TCO) is not included with the Heat Exchanger.

This is a typical illustration. The unit in the field may not appear exactly as shown.

Part No.	Reference No.	Quantity	Description
EXC02813	1	1	EXCHANGER; HX-ASM-80-C100
TUB08301	2	1	TUBE; PRESSURE SWITCH, STAINLESS STEEL, .025 O.D. .035 WALL THK.
BOX03708	3	1	BOX; FLUE, INCLUDES TUB08301
SWT04560	4	1	SWITCH; THERMAL
GKT05000	5	1	GASKET; VESTIBULE GASKETS, ONE SIZE FITS ALL - TRIM TO FIT

Part No.	Reference No.	Quantity	Description
000005337~P	*		MODEL NUMBER GRAPHIC

MODEL NUMBER DESCRIPTION	75011116	RB B
S-SERIES FURNACE		
<i>Example Model Number:</i> S 9 V 2 B 0 8 0 U 3 P S A A A <small>1 - - - - 5 - - - - 10 - - - - 15</small>		
Digit 1 – Level S = Series L = 14 ng/J Ultra-Low NOx	Digit 11 – Inducer Type P = PSC X = CTM V = Variable Speed	
Digit 2 – AFUE 8 = 80% 9 = 90% or higher	Digit 12 – Communicating capability S = 24 Volt C = Communicating System Control T = 24 Volt, 40ng/J NOx D = Communicating System Control, 40ng/J NOx	
Digit 3 – Blower Type B = Builder Series (May be PSC or CTM) P = PSC X = CTM V = Variable Speed	Digit 13 – Major Design Change	
Digit 4 – Gas Valve Stages 1 = SingleStage 2 = 2 Stage M = Modulating	Digit 14 – Minor Design Change	
Digit 5 – Cabinet Width A = 14.5 wide B = 17.5 wide C = 21.0 wide D = 24.5 wide	Digit 15 – Service Digit Change	
Digits 6,7,8 – BTU input 080 = 80,000 BTUH		
Digit 9 – Poise Options U = 3 way D = Dedicated Downflow M = 4 Way Poise		
Digit 10 – Airflow Capacity for Cooling 2 = 2 Tons 3 = 3 Tons 4 = 4 Tons 5 = 5 Tons		
		1 of 1

Part No.	Reference No.	Quantity	Description
0000010478~P	*		OPTIONAL ACCESSORIES LIST

Part No.	Reference No.	Quantity	Description
BAYBASE205	*	1	BASE; SUB ASSEMBLY, DOWNFLOW
BAYFLTR204	*	1	FILTER; FRAMED FILTER KIT ASSY (BAYFLTR204)
BAYFLTR206	*	1	FILTER; ACCESS DOOR KIT (DOWNFLOW ONLY)
BAYHANG	*	1	HORIZONTAL HANGER KIT
BAYLPSS400B	*	1	BAYLPSS400B; LP CONVERSION KIT, INCLUDES (6) STAINLESS BURNERS, SEN02662, KIT01495 & KIT07611
BAYSWT14AHALTA	*	1	KIT; HIGH ALTITUDE PRESSURE SWITCH
BAYVENT600A	*	1	KIT- DOWNFLOW ADAPTER
BAYVENT800B	*	1	KIT; MASONRY CHIMNEY
PIP02095	*	1	PIPE; U-BEND, STEEL, 1/2-14 NPT, 3.42 X 2.00