

Ubbink Concentric to Twin Pipe Adaptor - Condensing

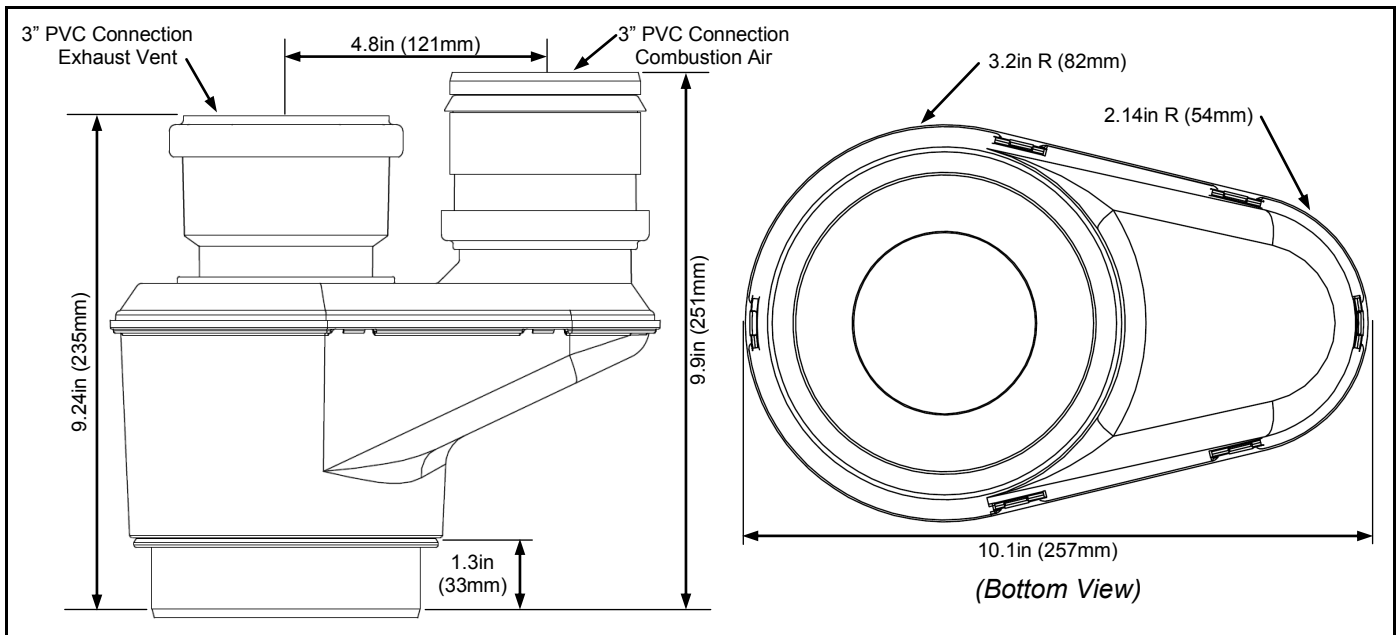
- Rinnai has certified the Ubbink® 3”/5” to 3”/3” Concentric to Twin Pipe Adaptor (Figure 1) and other venting equipment to be used with the optional PVC/CPVC twin pipe venting system for both natural and propane units.
- For use on Rinnai **REU-KB3237FFUD-US (RU98i)** and **REU-KB2530FFUD-US (RU80i)** only.
- Ubbink Concentric to Twin Pipe Adaptor (above) is ULC S636 approved.
- Twin Pipe Adaptor is defaulted for 3” PVC but is adaptable to 4”. The adaptor can be used with PVC/CPVC pipes, fittings and either the IPEX Concentric Vent Kit (CVK) Assembly (System 636), snorkel termination or tee termination.





Refer to the Rinnai installation manual and the Ubbink installation instructions for complete installation details and requirements.

Rinnai is continually updating and improving products; therefore, specifications are subject to change without prior notice. Local, state, provincial and federal codes must be adhered to prior to installation.

Ubbink® 3”/5” to 3”/3” Concentric to Twin Pipe Adaptor



Physical Data in inches (mm)

Part #	Nominal Diameter	Overall Height	Effective Height	Offset
187585PP	3”/5” (80/125)	9.9” (251)	8.6” (218)	4.8” (121)
Materials		ULc 636 Gas Vent-BH Class IIC-110°C/230°F <i>where applicable</i>		
<ul style="list-style-type: none"> Exhaust: ULc S636-PPs (grey) Combustion Air Pipe: PPs (grey) Adapter: PVC (white) 		 WARNING Improper installation of vent system and components, or failure to follow all installation instructions, can result in property damage or serious injury.		