

REPLACEMENT PARTS FOR GAS-FIRED INFRARED PATIO HEATER

MODEL RIHP



TABLE OF CONTENTS

REPLACEMENT PARTS TABLE.....	2
REMOTE CONTROL COMPONENTS.....	4
MAIN HEATER COMPONENTS.....	5
BURNER AND FRAME COMPONENTS.....	5
GAS VALVE COMPONENTS.....	5

IMPORTANT

- Always include complete model and serial number so that any specification change can be considered for parts replacement. It can save time and expense.
- In keeping with our policy of continuous product improvement, we reserve the right to alter any information shown here.
- Order by Part Number (PN) not by option designation.

WE RESERVE THE RIGHT TO SUBSTITUTE FUNCTIONAL REPLACEMENTS.

REPLACEMENT PARTS TABLE

Item No.	Part No.	Description	Qty. 35m	Qty. 50m
Main Heater Components				
1		Screw, Pan Head Thread #8 x 1/2" Type AB SS Black Oxide	52	52
1a		Ground Screw #8-32 x 3/8" (Green Coated - Type F)	1	1
1b		Rivet 1/8" x .337" SS (grip range .126 - .187) - not shown -	31	31
1c		Screw, Pan Head Machine #10-24 x 3/8"	2	2
1d		O-Ring Retainer	2	2
1e		Screw, Pan Head Machine #10-24 x 5/8"	2	2
1f		Screw, Pan Head Machine #6-32 x 3/4"	2	2
1g		Nut, Hex #6-32	2	2
2	04661156	Access Panel Assembly - with Plate for Terminal - Painted Black	1	-
	04661296	Access Panel Assembly - with Plate for Terminal - Painted Black	-	1
2a	04661170	Label Holder Plate	1	1
3		Hinge - 6" (152mm)	1	1
4	04655169	Plate - Rear Burner Access - Painted Black	1	1
5	04655159	Plate - Valve Holder - w/Louvers - Painted Black	1	1
6		Panel Nut - 5/8-27 UNS x 1/8" Thick	1	1
7		Cord Connector 1/2" Heyco #M4521 (gray) .180-400	1	1
8		Nut 1/2" Heyco #8463 (black)	1	1
9	04673990	Kit, Glass Replacement - 4mm x 8.94" x 48" Black	1	-
9a	04673960	Kit, Glass Replacement - 4mm x 10.50" x 48" Black	-	1
10	90441069	Ignition Cable (6" with female flag and spark plug terminals - not shown-	1	-
11	04663120	Manifold Asm. (Gas Valve - Natural Gas @ 6.0" W.C.) aluminized bracket	1	-
11a	04663130	Manifold Asm. (Gas Valve - Propane Gas @ 10.0" W.C.) aluminized bracket	1	-
11b	04663162	Manifold Asm. (Gas Valve - Natural Gas @ 6.0" W.C.) aluminized bracket	-	1
11c	04663172	Manifold Asm. (Gas Valve - Propane Gas @ 10.0" W.C.) aluminized bracket	-	1
12		Terminal Block - 6 Pole	1	1
13	90479870	Transformer - 120/24V 20VA	1	1
14	90432100	Ignition Module - Fenwal #35-602906-915	1	1

Burner and Frame Components				
1b	02132089	Rivet 1/8" x .337" SS (grip range .126 - .187) - not shown -	10	10
1c	02168050	PHMS #10-24 x 3/8" SS	6	6
15	04655105	Support Plate - Venturi - 316 SS	1	1
16	04670000	Burner Assembly (complete with tile)	1	-
16a	04670250	Burner Assembly (complete with tile)	-	1
17	90495060	Electrode/Flame Sensor - #PSE-GF45	1	1
18	02167019	Locknut 1/4-20 KEPS - SS	2	2

Gas Valve Components (manifold assembly)				
19	04646189	Manifold Extension Bracket Asm. (w/#8-32 x 1/2 locking screw)	1	-
19a	04646190	Manifold Extension Bracket Asm.	-	1
20		Pipe Nipple - 1/2 NPT x 4" Long - Galvanized	1	-
		Pipe Nipple - 1/2 NPT x 3" Long - Galvanized	-	1
20a		Pipe Nipple - 1/2 NPT x 4" Long - Black	1	1
21	91459410	Main Burner Orifice (injector) - 7/16-27 No. 41 - NAT Gas	1	-
21a	91459510	Main Burner Orifice (injector) - 7/16-27 No. 51 - Propane Gas	1	-
21b	91459828	Main Burner Orifice (injector) - 7/16-27 2.9mm - NAT Gas	-	1
21c	91424870	Main Burner Orifice (injector) - 7/16-27 1.95mm - Propane Gas	-	1
22	42701500	Orifice Fitting 7/16-27 x 1/2 Female BSPT	1	1
23	44450070	Kit, Wire Harness - not shown -	1	1
24	90055120	Gas Valve - WR #36J - HI/LO (2 stage - Natural Gas)	1	1
24a	90055130	Gas Valve - WR #36J - HI/LO (2 stage - Propane Gas)	1	1
Labels/Manual				

25	91069220	Label, Power Supply and Thermostat Connections	1	1
26	91052080	Label, Wiring Connections - HI/LO (2 stage) – 120V - CSA	1	1
26a	91052110	Label, Wiring Connections - HI/LO (2 stage) – 120V – CSA (with remote)	1	1
27	91049190	Label, Nameplate	1	1
28	91047111	Label, Clearances to Combustibles (indoor installation without heat shield)	1	-
28a	91047113	Label, Clearances to Combustibles (indoor installation without heat shield)	-	1
29	91034000	Label, Voltage Hazard - 120V	1	1
30	91069740	Label, Earth Symbol	1	1
31	91013500	Logo, Raised Emblem – GordonGlo Elite	1	1
32	91075000	Label, General Warnings	1	1
33	91069850	Label, Caution “DO NOT COVER PANEL WITH HOT GLASS”	1	1
34	91069800	Label, Hangers/Garages	1	1
35	91069760	Label, “Made IN U.S.A.”	1	1
36	146100NA	Manual, Installation and Operation Instructions (not shown)	1	1
36a	91044950	Wall Card Warnings (not shown)	1	-
36b	91044900	Wall Card Warnings (not shown)	-	1

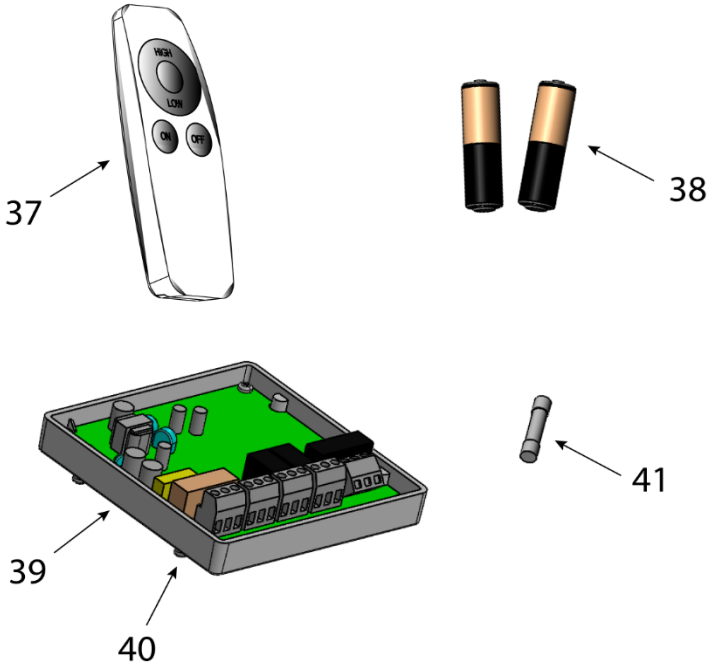
Remote Control Components				
37	10009990	Remote 2-Stage	1	1
38		AAA Battery 2-Pack	1	1
39	10009010	Circuit Board #W401-V2	1	1
40	02341010	Screw, Pan Head Sheet Metal #4 x 3/8”	2	2
41		Fuse, 1 Amp 250/120V (3/16 o.d. x 3/4” long)	1	1

IMPORTANT:

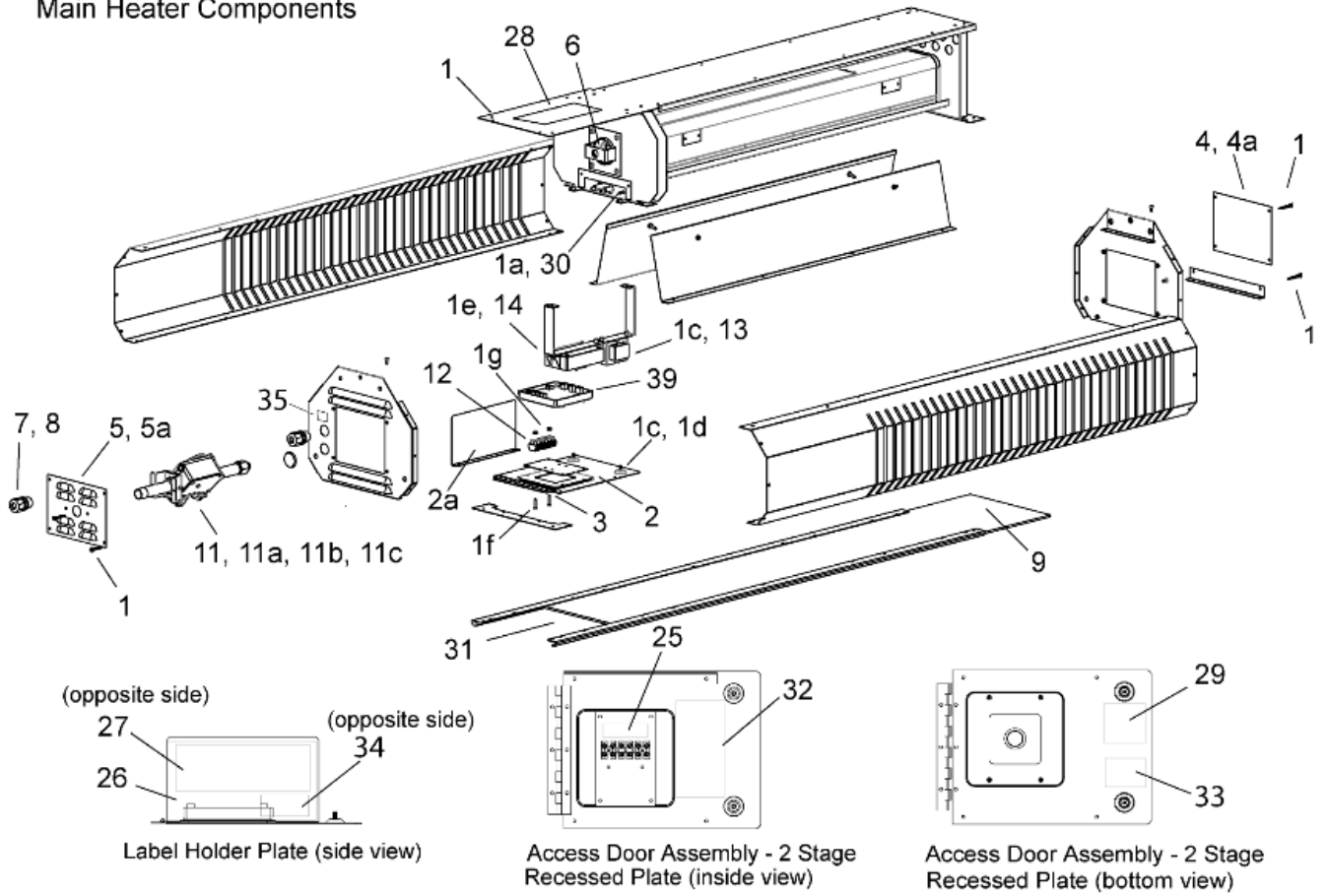
- Please order by Part Number, not by Item Number.
- Refer to complete Model Number when ordering.
- All replacement parts prices are available when ordering.

ALL ILLUSTRATIONS ARE INTENDED TO GIVE THE GENERAL IMPRESSION OF UNITS ONLY. WE RESERVE THE RIGHT TO ALTER ANY SPECIFICATION WITHOUT NOTICE

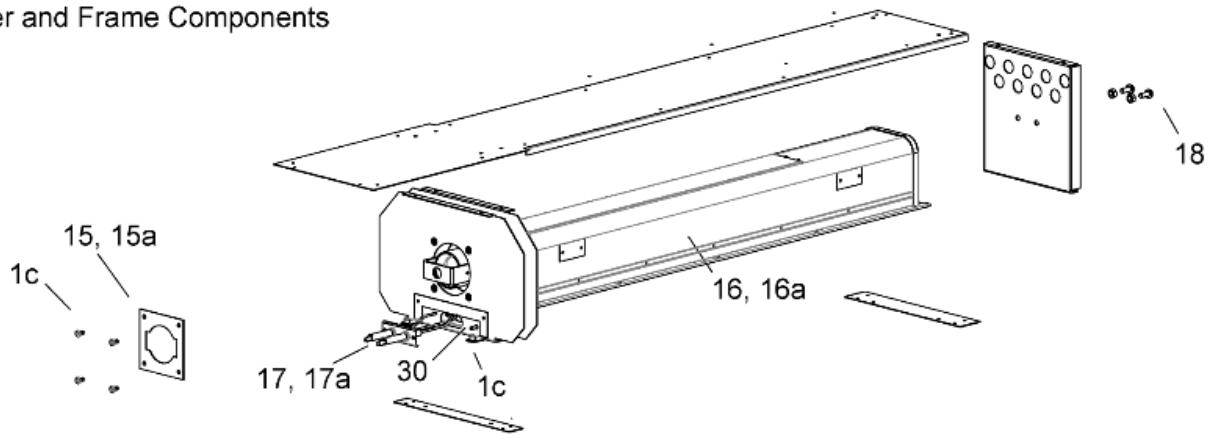
Remote Control Components



Main Heater Components



Burner and Frame Components



Gas Valve Components

