

# 192 WB ES-S

# 192-1.5 WB ES-S

# 192-1.0 WB ES-S

► **Description**

Concealed, Sensor Operated Regal® Model Urinal Flushometer, enclosed behind a 13" x 17" Wall Box with Stainless Steel Access Panel, for 1/4" top spud urinals.

► **Flush Cycle**

- Model 192 WB ES-S Conventional (3.5 gpf/13.2 Lpf)
- Model 192-1.5 WB ES-S Water Saver (1.5 gpf/5.7 Lpf)
- Model 192-1.0 WB ES-S Low Consumption (1.0 gpf/3.8 Lpf)

► **Specifications**

Quiet, Concealed, Diaphragm Type, Rough Brass Urinal Flushometer for either left or right hand supply with the following features:

- OPTIMA® EL-1500 Self-Adaptive Infrared Sensor with Indicator Light
- Non-Hold-Open Integral Solenoid Operator
- 13" x 17" EASY ACCESS® Wall Box with Stainless Steel Access Panel and Vandal Resistant Screws
- 1" I.P.S. Wheel Handle Bak-Chek™ Angle Stop
- Adjustable Tailpiece
- Vacuum Breaker Flush Connection
- Spud Coupling and Flanges for 1/4" Exposed Top Spud
- Chrome Plated Exposed Flushometer Parts
- High Copper, Low Zinc Brass Castings for Dezincification Resistance
- Low Consumption flush accuracy controlled by Para-Flo™ Technology
- Diaphragm, Stop Seat and Vacuum Breaker to be Molded from PERMEX™ Rubber Compound for Chloramine Resistance

Valve Body, Cover, Tailpiece and Control Stop shall be in conformance with ASTM Alloy Classification for Semi-Red Brass. Valve shall be in compliance with the applicable sections of ASSE 1037, ANSI/ASME A112.19.6 and Military Specification V-29193. Installation conforms to ADA requirements.

► **L Dimension**

Specify the "L" Dimension for the proper length of the Flush Connection. The "L" Dimension is equal to the Wall Thickness (to nearest whole inch) plus 2 3/4".

► **Variations**

- T** 1 1/2" Flush Connection
- YB** Sweat Solder Adapter

► **Accessories**

- EL-154** Transformer (120 VAC/24 VAC, 50 VA)
- EL-342** Transformer (240 VAC/24 VAC, 50 VA)

See Accessories Section and OPTIMA Accessories Section of the Sloan catalog for details on these and other OPTIMA Flushometer variations.



This space for Architect/Engineer approval

Job Name \_\_\_\_\_ Date \_\_\_\_\_

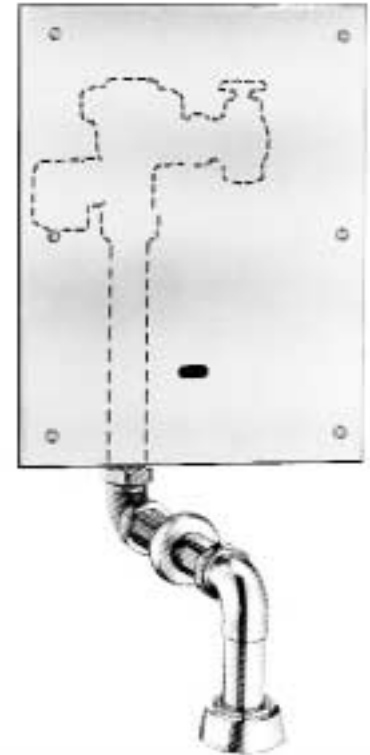
Model Specified \_\_\_\_\_ Quantity \_\_\_\_\_

Variations Specified \_\_\_\_\_

Customer/Wholesaler \_\_\_\_\_

Contractor \_\_\_\_\_

Architect \_\_\_\_\_



► **Automatic**

Sloan OPTIMA® equipped Flushometers provide the ultimate in sanitary protection and automatic operation. There are no handles to trip or buttons to push. The Flushometer operates by means of an infrared sensor that adapts to its surrounding. Once the user enters the sensor's effective range and then steps away, the Flushometer Solenoid initiates the flushing cycle to flush the fixture.

► **Hygienic**

User makes no physical contact with the Flushometer surface. Helps control the spread of infectious diseases. Twenty-four Hour Sentinel Flush keeps fixture fresh during periods of nonuse.

► **Economical**

Automatic operation provides water usage savings over other flushing devices. Reduces maintenance and operation costs.

► **Practical**

Solid state electronic circuitry assures years of dependable, trouble-free operation. The operational components of the Flushometer are identical to a handle operated Regal® Flushometer.

► **Warranty**

3 year (limited)

► **Made in the U.S.A.**

# 192 WB ES-S 192-1.5 WB ES-S 192-1.0 WB ES-S

## Description

Concealed, Sensor Operated Regal® Model Urinal Flushometer, enclosed behind a 13" x 17" Wall Box with Stainless Steel Access Panel, for 1¼" top spud urinals.

## Flush Cycle

- Model 192 WB ES-S Conventional (3.5 gpf/13.2 Lpf)
- Model 192-1.5 WB ES-S Water Saver (1.5 gpf/5.7 Lpf)
- Model 192-1.0 WB ES-S Low Consumption (1.0 gpf/3.8 Lpf)

## ELECTRICAL SPECIFICATIONS

### Control Circuit

Solid State  
24 VAC Input  
24 VAC Output  
8 Second Arming Delay  
24 Hour Sentinel Flush

### OPTIMA Sensor Range

Nominal 15" - 30" (381 mm - 762 mm)  
Self-adaptive Window: ± 8" (203 mm)

### Solenoid Operator

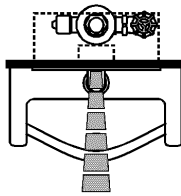
24 VAC, 50/60 Hz

### Wall Box Specifications

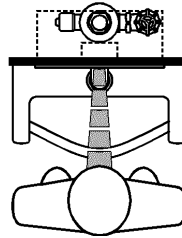
EASY ACCESS® Wall Box Assembly — Part #EL-192-A  
**Frame:** 13" x 17" x 4" (330 mm x 432 mm x 102 mm) #16 Gauge Steel  
**Cover (Access Panel):** 14½" x 18½" (368 mm x 470 mm) #15 Gauge #304 Stainless Steel, #4 Finish  
**Screws:** (6) #8-32 x ¾" Drilled Spanner Head — Spanner Bit Provided

## OPERATION

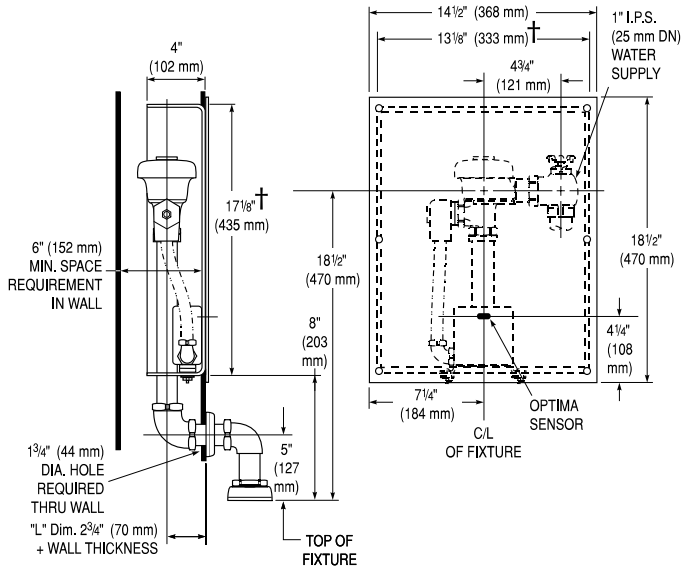
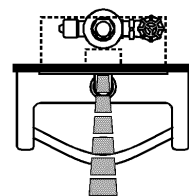
1. A continuous, invisible light beam is emitted from the OPTIMA Sensor.



2. As the user enters the beam's effective range (15" to 30") the beam is reflected into the OPTIMA Scanner Window and transformed into a low voltage electrical circuit. Once activated, the Output Circuit continues in a "hold" mode for as long as the user remains within the effective range of the Sensor.

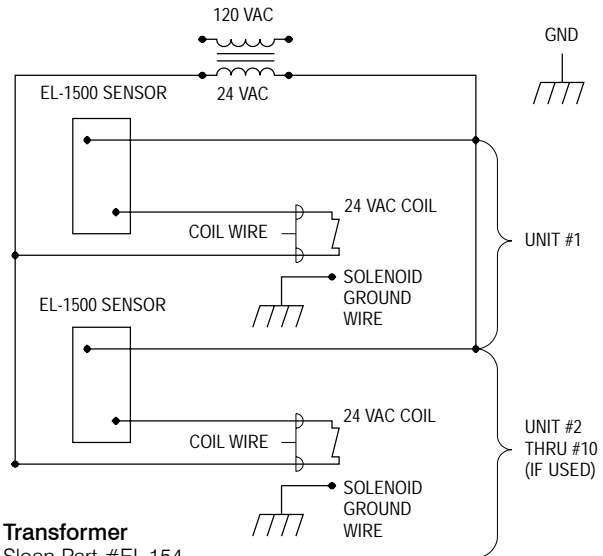


3. When the user steps away from the OPTIMA Sensor, the circuit immediately initiates an electrical "one-time" signal that operates the Solenoid. This initiates the flushing cycle to flush the fixture. The Circuit then automatically resets and is ready for the next user.



† Required wall opening.

## WIRING DIAGRAM



### Transformer

Sloan Part #EL-154  
120 VAC, 50/60 Hz Primary  
24 VAC, 50/60 Hz Secondary  
Class II, UL Listed, 50 VA.

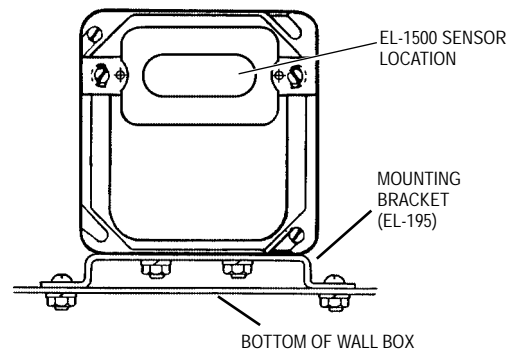
Sloan Part #EL-342  
240 VAC, 50/60 Hz Primary  
24 VAC, 50/60 Hz Secondary  
Class II UL Listed 50 VA.

One Transformer serves up to ten (10) OPTIMA Closet/Urinal Flushometers. Specify number of transformers required accordingly.

## ELECTRICAL BOX INSTALLATION

### SENSOR LOCATION AND POSITIONING IS CRITICAL

Failure to properly position the electrical boxes to the plumbing rough-in will result in improper installation and impair product performance. All tradesmen (plumbers, electricians, tile setters, etc.) involved with the installation of this product must coordinate their work to assure proper product installation.



Adjust the Mounting Bracket so that the Sensor sits flush against the cover plate.

Refer to the instructions packaged with the Flushometer for additional installation information.

**SLOAN VALVE COMPANY • 10500 SEYMOUR AVENUE • FRANKLIN PARK, IL 60131**

Phone: 1-800-9-VALVE-9 or 1-847-671-4300 • Fax: 1-800-447-8329 or 1-847-671-4380 • <http://www.sloanvalve.com>