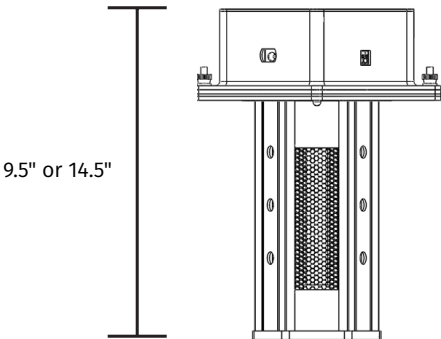
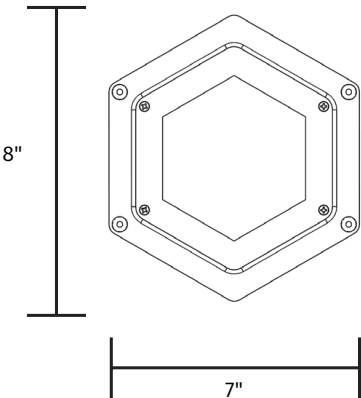
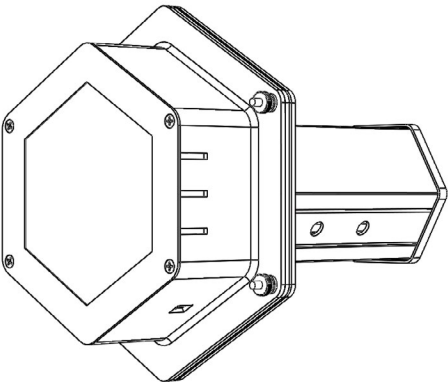




A CSW Industrials Company

INSTALLATION MANUAL

DUST FREE® ACTIVE GOLD UV-C Light/Ionization Total Home Air Purification



General

This device is designed to be installed into an existing HVAC system for improved indoor air quality.

Before Installation

- Read all instructions carefully. Failure to do so could damage the equipment or cause harm to yourself or others.
- Acknowledge all warnings.
- Only qualified technicians should perform the installation.

⚠ WARNING

- **Electric Shock Hazard. Can cause injury or death.** Electrical wiring of the unit to the HVAC system should be done by a licensed HVAC technician or electrical installer.
- **UV Light Hazard. Can cause serious eye and skin damage.** Do not look at UV-C light. Wear UV-C eye and skin protection.
- **Mercury Hazard. Do Not Break.** UV-C lamp contains a small amount of Mercury. May cause redness or irritation. Manage in accordance with disposal laws - www.lamprecycle.org

⚠ WARNING: This product can expose you to chemicals including mercury and mercury compounds, which is known to the State of California to cause cancer and birth defects or other reproductive harm. For more information go to www.P65Warnings.ca.gov

UL Approvals



AIR DUCT MOUNTED ACCESSORY WITH RESPECT TO ELECTRIC SHOCK, FIRE AND CASUALTY HAZARDS ONLY. E524994



ZERO OZONE EMISSIONS - Measured ozone emissions from Dust Free Active Gold during use phase does not exceed 0.005 PPM as tested by **UL 867**. UL.com/ECV

EPA Establishment No. **73316-TX-1**

Parts Included

- Active Power Supply/Ballast
- Ionizing Cell
- UV-C lamp
- 40VA transformer
- Mounting plate
- Mounting hardware
- Installation instructions

Note: Parts may come pre-assembled.

Specifications

Model	Dust Free Active Gold 12"	Dust Free Active Gold 6"
Product Code	DF13071	DF13070
Power Module	8"H X 7"W X 14.5"L	8"H X 7"W X 9.5"L
Mounting Plate	8"H x 7"W	
Electrical	24V 50/60Hz. Expanded range ballast 20V-32V. 1.4A. 3000V surge protection.	
Weight	3 lbs	2.5 lbs
UV-C Lamp	18,000-hour life. Water-resistant.	
Ozone	UL 2998 validated no ozone. Meets California ozone emissions limit: CARB certified.	
Replacement Ionizing cell w/UV-C Lamp	DF13075	DF13074
Replacement UV-C Lamp	DF13077	DF13076
Warranty	7-year power module. 4-year ionizing cell. 2-year lamp.	

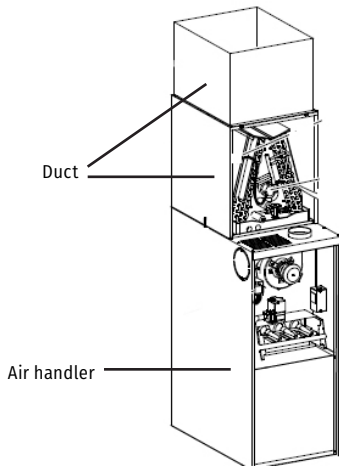


Fig. 1 HVAC system

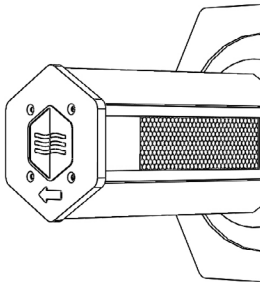


Fig. 2 Orient device in proper airflow direction as indicated

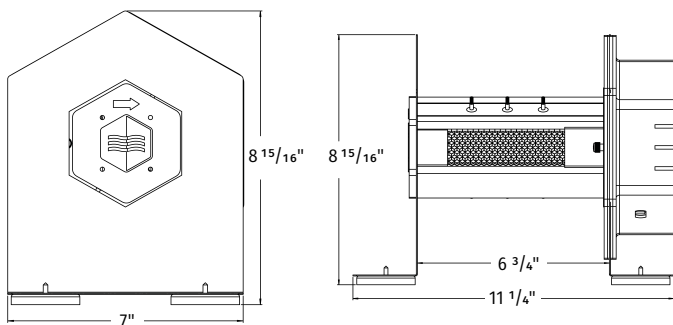


Fig. 3 Magnet mount installation

UV Installation Notes

- This device is meant only to be installed in the duct portion of the HVAC system.
- The power module must be mounted directly to a metal surface. This will help dissipate heat. Failing to mount the ballast properly will void warranty and lead to pre-mature UV bulb failure.
- The duct work around the installation area should be clean and dry to insure proper adhesion of the gasket materials and any tape used.
- An approximate 4" opening will need to be cut into the existing duct work to install the device properly.

Airflow Orientation

- Be sure to orient the device for proper airflow through the ionizing cell. Proper airflow direction is indicated by an arrow on the tip of the ionizing cell. (See Fig. 2)
- If needed for proper airflow orientation, remove cell and reinstall cell onto power module in proper orientation.

24VAC Electrical Requirements

- Connect black and white wires to a dedicated 40VA transformer. If also installing an accessory 24V product, a 75VA transformer is required.

DF Active Gold Magnet Mount Installation (See Fig. 3)

- Removed the mounting plate from the power supply module by unscrewing the four knurled nuts.
- Thread the studs from the mounting plate through the four holes in the circular cut-out mounting bracket.
- Re-attach the power supply module to the mounting plate and secure with the four knurled nuts.
- Place the device inside the plenum at the desired location and orient according to system airflow.
- If necessary, re-orient the ionizing cell to ensure proper airflow through the device.
- Place the hexagonal cut-out mounting bracket at the end of the device ionizing cell, just inside of the cap.

Note: Magnetic Mount Install Kit Product Code: **DF13078**

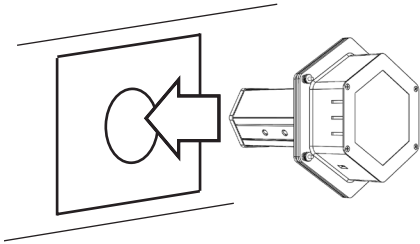


Fig. 4 Cut opening in duct, attach mounting plate, and install device

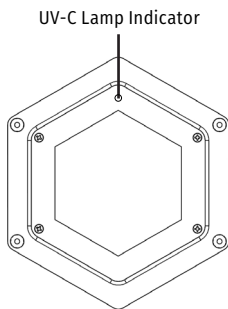


Fig. 5 UV-C lamp indicator

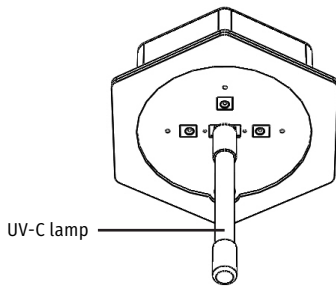


Fig. 6 Replace UV-C lamp every 2 years

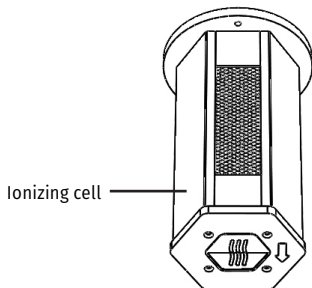


Fig. 7 Replace ionizing cell every 4 years

Metal Ductwork Installation

- Locate a suitable area of the duct for installation. Minimum 8" area.
- If needed, cut away insulation to expose metal duct.
- Mark location for 4" opening using the included mounting plate as a template.
- Cut opening for the device. (See Fig. 4)
- Remove the backing from the mounting plate gasket, center mounting plate over opening, and press onto the duct. The adhesive gasket will hold the mounting plate in place.
- Secure the mounting plate using self-tapping screws.
- Insert device into opening and secure with knurled nuts. **Note: Be sure airflow will pass in the proper direction as indicated by the arrow on the top of the ionizing cell.** (See Fig. 2)
- Connect to proper power and test operation. The green operation indicator light on the face of the device should be on.

Fiberglass Ductwork Note

- For fiberglass ductwork installations use 3" toggle bolts to attach mounting plate.

Maintenance/UV-C Lamp Indicator

- For optimal performance, replace the device ionizing cell every 4 years and UV-C lamp every 2 years, even if the UV-C lamp appears to be operating normally. (See Fig. 5) **Note:** The replacement ionizing cell comes with a UV-C lamp.
- The green operation indicator on the face of the device is for UV-C Lamp operation only. **If the unit has power and the indicator does not glow, follow the troubleshooting guide on the last page of this document.** (page 5)

Changing the Ionizing cell and/or UV-C Lamp

- Disconnect the device from power.
- Removed the knurled nuts securing the device and remove the device from the duct work.
- Remove the screws securing the ionizing cell.
- Remove the ionizing cell from the power supply/ballast and dispose of properly. **Note: If only changing the UV-C lamp, detach lamp from device and dispose of the lamp properly.** (See Fig. 6)
- Secure the new ionizing cell and/or new UV-C lamp to the device.
- Reverse the previous steps to return the device to operation.

Disposal of Ionizing cell and/or UV-C Lamp (See Fig. 7)

Dispose of spent ionizing cell and/or UV-C lamp at your local recycling center.

Limited Warranty

7-yr power supply; 4-yr ionizing cell; 2-yr UV-C lamp

See page 4 for details.

Limited Warranty

7-yr power supply; 4-yr ionizing cell; 2-yr UV-C lamp

RectorSeal warrants this DF Active air purifier to be free from defects in materials and workmanship under normal use and service, for a period of seven (7) years from the date of purchase.

This warranty does not cover core or UV-C lamp. The ionizing cell carries a four (4) year warranty from the date of installation. The UV-C lamp carries a two (2) year warranty from the date of installation.

This warranty does not cover cosmetic damage, damage due to acts of God, damage as a result of handling or shipment, negligence, misuse, connection to improper voltage, improper maintenance, or abuse. This warranty is void if defect(s) result from failure to have this unit installed by a qualified, properly licensed, heating and air conditioning contractor in compliance with all local building and construction codes.

RectorSeal's exclusive obligation under this warranty shall be to supply, without charge, a replacement for any covered component of the DF Active air purifier which is found to be defective within the parameters defined herein. RectorSeal reserves the right to replace or repair the defective part or component.

RectorSeal SHALL NOT BE LIABLE FOR ANY LOSS OR DAMAGE OF ANY KIND, INCLUDING ANY INCIDENTAL OR CONSEQUENTIAL DAMAGES RESULTING, DIRECTLY OR INDIRECTLY, FROM ANY BREACH OF WARRANTY, EXPRESS OR IMPLIED, OR ANY OTHER FAILURE OF THIS PRODUCT (Some states do not allow the exclusion or limitation of incidental or consequential damages, so this limitation may not apply to you.) THE WARRANTIES SET FORTH HEREIN ARE EXCLUSIVE AND RectorSeal EXPRESSLY DISCLAIMS ALL OTHER WARRANTIES, WHETHER WRITTEN OR ORAL, IMPLIED OR STATUTORY, INCLUDING BUT NOT LIMITED TO ANY WARRANTIES OF MERCHANTABILITY, WORKMANSHIP, OR FITNESS FOR A PARTICULAR USE. If the limited warranty is void due to failure to use a qualified contractor all disclaimers of implied warranties shall be effective upon installation.

How to make a warranty claim or have questions answered:

Should you have a warranty claim or questions about the warranty policy, contact the distributor or dealer from which you purchased the product. Proof of original purchase and proof of identity that the original purchasing party is filing the claim is required in order to initiate a warranty claim.

Defective parts must be returned no later than thirty (30) days after the failure to the installing contractor together with the model number, serial number, and date of installation. All service and removal must be performed by a licensed HVAC contractor. You must pay shipping charges and all other costs of warranty service. Warranty is only valid in the United States and Canada.

THIS WARRANTY SHALL NOT OBLIGATE THE MANUFACTURER FOR ANY LABOR COSTS AND SHALL NOT APPLY TO DEFECTS IN WORKMANSHIP OR MATERIALS FURNISHED BY THE INSTALLING CONTRACTOR AS CONTRASTED TO DEFECTS IN THE GERMICIDAL LIGHT ITSELF.

NOTE: Do not return any products or parts to the factory without a factory issued Return Authorization number issued by the RectorSeal customer service department.

In the event you have any questions concerning the use and care of this product or this warranty which have not been answered to your satisfaction by the distributor or dealer, please call or write the factory.

For more information on our product limited warranty, visit RectorSeal.com

Manufactured by

RectorSeal, LLC

2601 Spenwick Drive, Houston, TX 77055, USA • 800-231-3345 • Fax 800-441-0051 • rectorseal.com

PO Box 5266 Brendale, Qld 4500 • Australia • 1300 77 2878 • rectorseal.com.au

3255 Wyandotte St East Windsor, ON N8Y 1E9, Canada • 519-966-4901

A CSW Industrials Company. RectorSeal, the logos and other trademarks are property of RectorSeal, LLC, its affiliates or its licensors and are protected by copyright, trademark and other intellectual property laws, and may not be used without permission. RectorSeal reserves the right to change specifications without prior notice. ©2024 RectorSeal. All rights reserved. R51163-0724

UV-C Lamp Troubleshooting Guide

