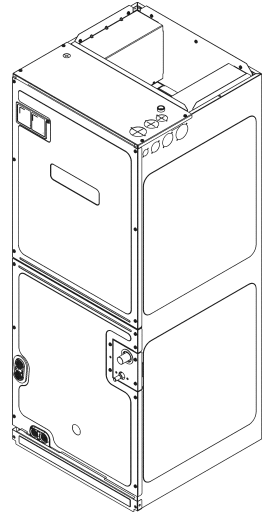


# REPAIR PARTS

---

## XRUF Air Handler

XRUF25B24AA  
XRUF25B24AB  
XRUF25B24AC  
XRUF37C24AA  
XRUF37C24AB  
XRUF37C24AC  
XRUF49D24AA  
XRUF49D24AB  
XRUF49D24AC  
XRUF61D24AA  
XRUF61D24AB  
XRUF61D24AC



This manual is to be used by qualified technicians only.

This manual replaces RP-4304A.

© 2016 - 2017, 2023 Goodman Manufacturing Company, L.P. ♦ 19001 Kermier Rd. ♦ Waller, TX 77484

# Important Information

---

## Index

Functional Parts List .....	3
Illustration and Parts .....	4 - 9

*Views shown are for parts illustrations only, not servicing procedures.*

### Text Codes:

AR - As Required

NA - Not Available

NS - Not Shown

00000000 - See Note

QTY - Quantity Example (QTY 3) (If Quantity not shown, Quantity = 1)

M - Model Example (M1) (If M Code not shown, then part is used on all Models)

### Expanded Model Nomenclature:

Example M1 - Model#1 M2 - Model#2 M3 - Model#3
---

Goodman Manufacturing Company, L.P. is not responsible for personal injury or property damage resulting from improper service. Review all service information before beginning repairs.

Warranty service must be performed by an authorized technician, using authorized factory parts. If service is required after the warranty expires, Goodman Manufacturing Company, L.P. also recommends contacting an authorized technician and using authorized factory parts.

Goodman Manufacturing Company, L.P. reserves the right to discontinue, or change at any time, specifications or designs without notice or without incurring obligations.

For assistance within the U.S.A. contact:  
Homeowner Support  
Goodman Manufacturing Company, L.P.  
19001 Kermier Road  
Waller, Texas 77484  
877-254-4729-Telephone  
713-863-2382-Facsimile

For assistance outside the U.S.A. contact:  
International Division  
Goodman Manufacturing Company, L.P.  
19001 Kermier Road  
Waller, Texas 77484  
713-861-2500-Telephone  
713-863-2382-Facsimile

# Functional Parts

## Part

## No: Description:

---

B1368047	BLOWER WHEEL 10 X 10 (M7, M8, M9)
B1368058	BLOWER WHEEL 10 X 8 (M4, M5, M6)
CAP150000370LA	CAPACITOR 15/370V (M7, M8, M9, M10, M11, M12)
CAP050000370LA	CAPACITOR 5/370V (M1, M2, M3)
CAP075000370LA	CAPACITOR 7.5/370V (M4, M5, M6)
0130R00047	CE TRANSFORMER
0131M00790	Motor, 1/4 HP, 2SP, ID, 50 HZ (M4, M5, M6)
0131M00789	Motor, 1/8 HP, 2SP, ID, 50 HZ (M1, M2, M3)
0131M00792	Motor, 3/4 HP, 2SP, ID, 50 HZ (M7, M8, M9, M10, M11, M12)
PCBFM132	PCB, TIME DELAY (M3, M6, M9, M12)
PCBFM103	PCB, TIME DELAY, EBTDR (M1, M2, M4, M5, M7, M8, M10, M11)

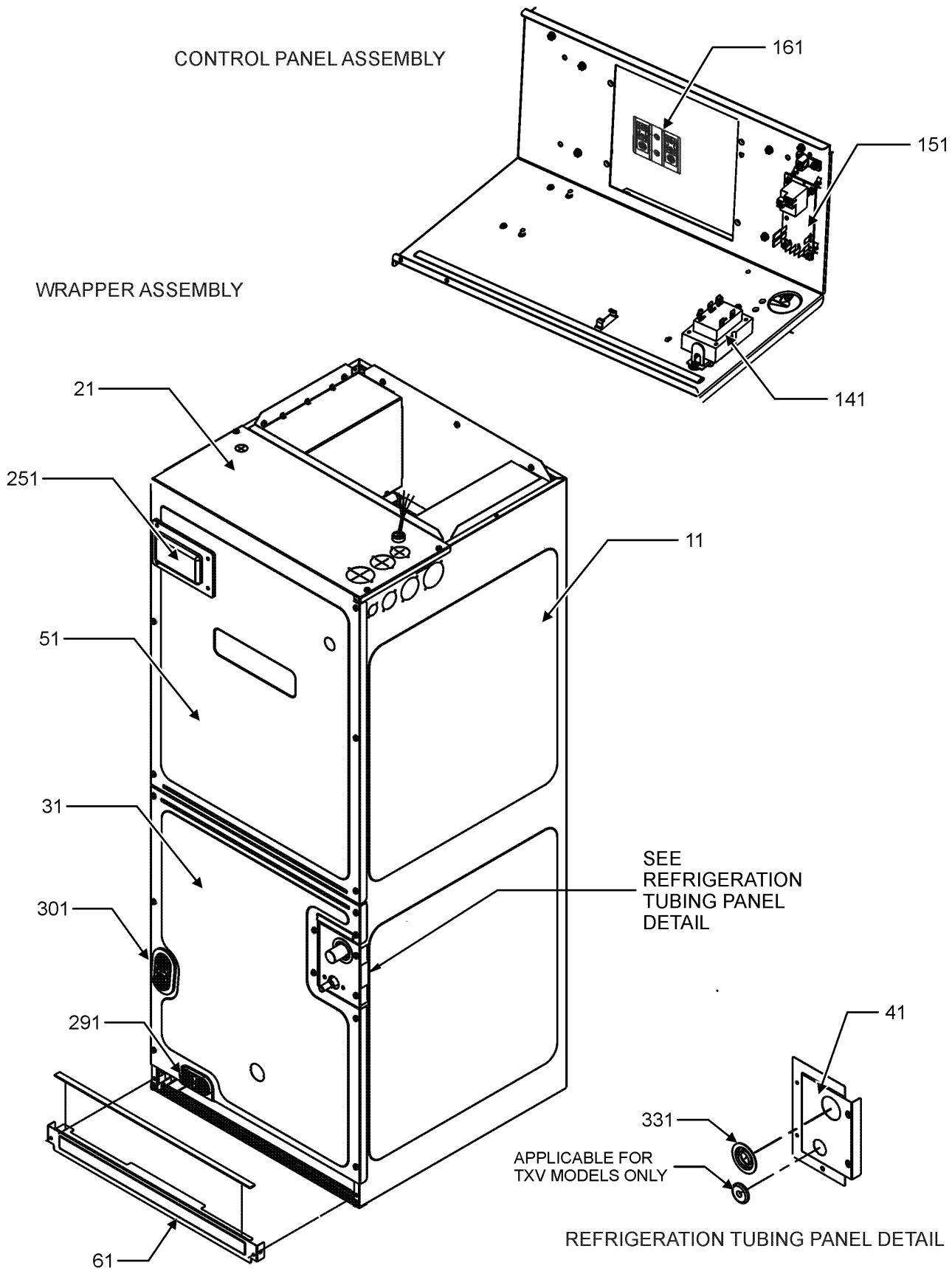
### SPECIAL PARTS

PKCG-4001ZC	PISTON KIT CHART (M2, M3, M5, M6, M8, M9, M11, M12)
PKCG-4001ZB	PISTON KIT CHART (M1, M4, M7, M10)

### Expanded Model Nomenclature

M1 - XRUF25B24AA
M2 - XRUF25B24AB
M3 - XRUF25B24AC
M4 - XRUF37C24AA
M5 - XRUF37C24AB
M6 - XRUF37C24AC
M7 - XRUF49D24AA
M8 - XRUF49D24AB
M9 - XRUF49D24AC
M10 - XRUF61D24AA
M11 - XRUF61D24AB
M12 - XRUF61D24AC

# Cabinet and Control Box Assembly

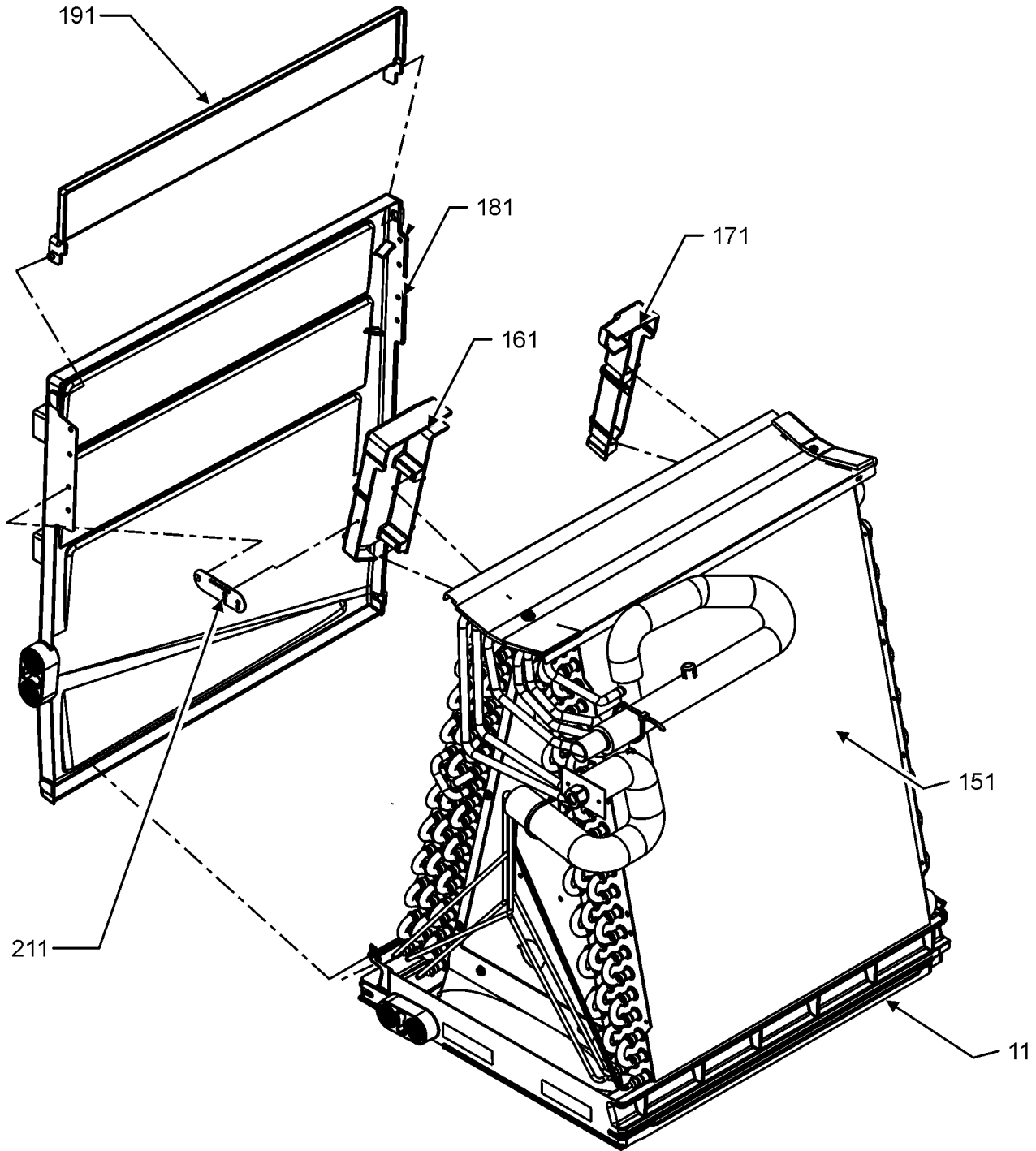


# Cabinet and Control Box Assembly

Ref. Part No:	Description:	Ref. Part No:	Description:
<b>Image 1:</b>		<b>Expanded Model Nomenclature</b>	
11	0121A00276 WRAPPER (M10, M11, M12)	M1	- XRUF25B24AA
11	0121A00281 WRAPPER (M1, M2, M3)	M2	- XRUF25B24AB
11	0121A00455 WRAPPER (M7, M8, M9)	M3	- XRUF25B24AC
11	0121A00456 WRAPPER (M4, M5, M6)	M4	- XRUF37C24AA
21	0121A01483PDG PLATE, UPPER TIE, PAINTED (M1, M2, M3)	M5	- XRUF37C24AB
21	0121A01484PDG PLATE, UPPER TIE, PAINTED (M4, M5, M6)	M6	- XRUF37C24AC
21	0121A01485PDG PLATE, UPPER TIE, PAINTED (M7, M8, M9, M10, M11, M12)	M7	- XRUF49D24AA
31	0121A00460PDG LOWER ACCESS PANEL (M7, M8, M9)	M8	- XRUF49D24AB
31	0121A00461PDG LOWER ACCESS PANEL (M4, M5, M6)	M9	- XRUF49D24AC
31	0121A00618PDG LOWER ACCESS PANEL (M10, M11, M12)	M10	- XRUF61D24AA
31	0121A00620PDG LOWER ACCESS PANEL (M1, M2, M3)	M11	- XRUF61D24AB
41	0121A00595PDG REFRIGERATION TUBING PANEL	M12	- XRUF61D24AC
51	0121A00833PDG PANEL, UPPER ACCESS (M8, M9, M11, M12)		
51	0121A00834PDG PANEL, UPPER ACCESS (M5, M6)		
51	0121A00835PDG PANEL, UPPER ACCESS (M2, M3)		
51	0121A00609PDG UPPER ACCESS PANEL (M7, M10)		
51	0121A00610PDG UPPER ACCESS PANEL (M4)		
51	0121A00611PDG UPPER ACCESS PANEL (M1)		
61	0121A00242PDG FILTER ACCESS PANEL (M1, M2, M3)		
61	0121A00243PDG FILTER ACCESS PANEL (M4, M5, M6)		
61	0121A00244PDG FILTER ACCESS PANEL (M7, M8, M9, M10, M11, M12)		
141	0130R00047 CE TRANSFORMER		
151	PCBFM132 PCB, TIME DELAY (M3, M6, M9, M12)		
151	PCBFM103 PCB, TIME DELAY, EBTDR (M1, M2, M4, M5, M7, M8, M10, M11)		
161	B1368250 TERMINAL BLOCK A-10KW		
251	0161A00073 CIRCUIT BREAKER COVER (M2, M3, M5, M6, M8, M9, M11, M12)		
251	0161A00063 PLASTIC BREAKER INSERT (M1, M4, M7, M10)		
291	0154A00006BL Gasket, Drain Pan		
301	0154A00007BL Gasket, Drain Pan		
331	B1392630 GROMMET (M4, M5, M6, M7, M8, M9, M10, M11, M12)		
331	M0501301 PIPE GROMMET (M1, M2, M3)		
NS	BT1369063 90 DEGREE STUB		
NS	0163A00026 THUMB SCREW (QTY 2)		
NS	BT1392909 WASHER, SS RETAINING (QTY 2)		
NS	0259A00032P WIRE ASSY, 9 PIN FEMALE CONN.		
NS	0259A00013P WIRE ASSY, 9 PIN MALE CONN. (M1, M2, M4, M5, M7, M8, M10, M11)		
NS	0259A00045 WIRE ASSY, 9 PIN MALE CONN. (M3, M6, M9, M12)		

# Coil Assembly

## COIL TUBING ASSEMBLY



COIL TUBING ASSEMBLY MAY DIFFER FROM WHAT IS SHOWN

# Coil Assembly

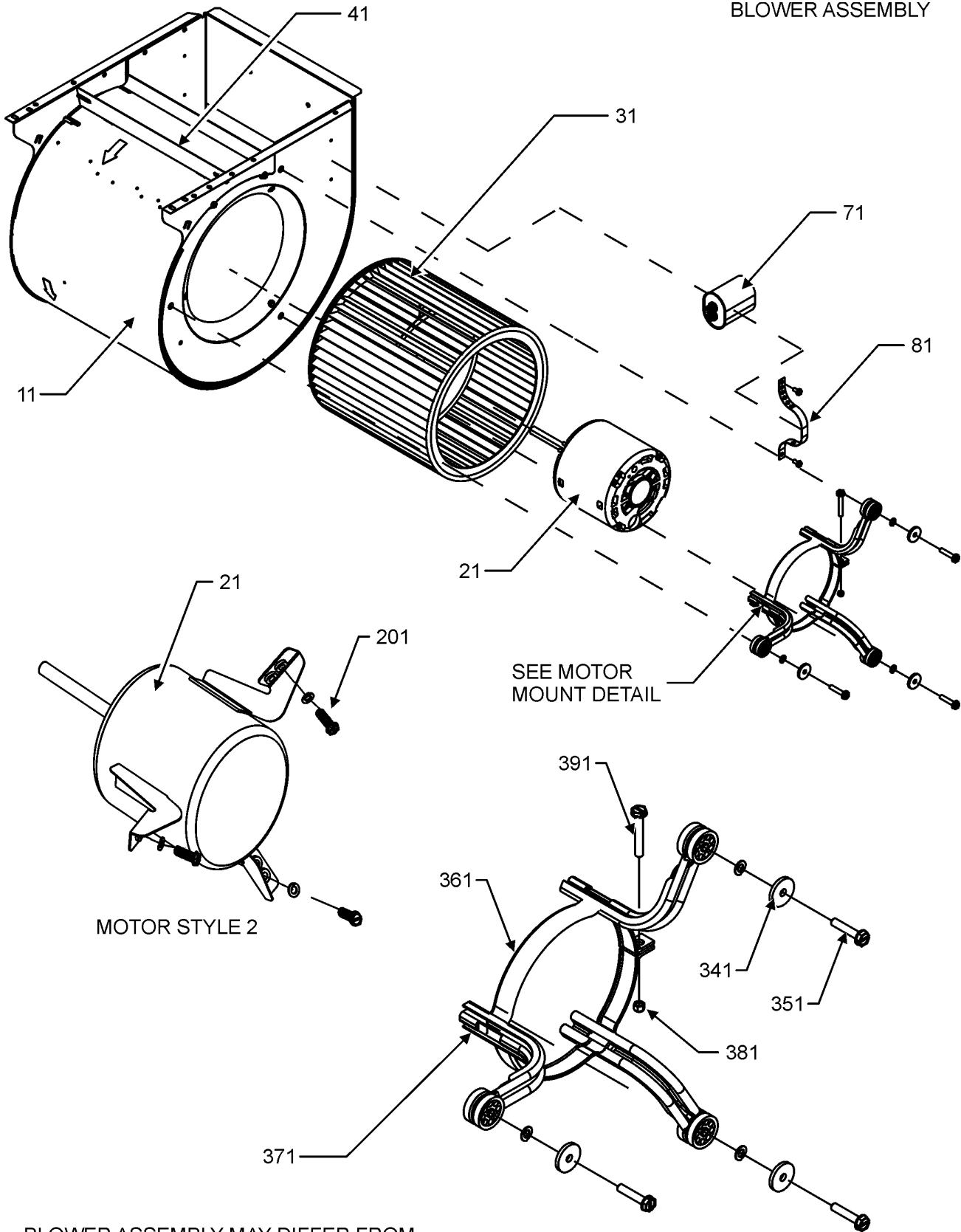
Ref. Part No:	No:	Description:	Ref. Part No:	No:	Description:
<b>Image 1:</b>					
11	0161A00049	DRAINPAN, VERTICAL (M1, M2, M3)			
11	0161A00051	DRAINPAN, VERTICAL (M7, M8, M9, M10, M11, M12)			
11	0161A00052	DRAINPAN, VERTICAL (M4, M5, M6)			
151	0270A00975	COIL TUBING ASSEMBLY (M10, M11, M12)			
151	0270A00980	COIL TUBING ASSEMBLY (M1, M2, M3)			
151	0270A00984	COIL TUBING ASSEMBLY (M4, M5, M6)			
151	0270A00988	COIL TUBING ASSEMBLY (M7, M8, M9)			
161	0161A00060	CONDENSATE, COLLECT, FRONT			
171	0161A00061	CONDENSATE, COLLECT, BACK			
181	0161A00055	DRAIN PAN HORIZONTAL, SMALL (M1, M2, M3)			
181	0161A00053	DRAIN PAN HORIZONTAL, TALL (M4, M5, M6, M7, M8, M9, M10, M11, M12)			
191	0161A00054	DRAIN PAN, EXTENSION, SMALL (M1, M2, M3, M4, M5, M6, M7, M8, M9)			
191	0161A00056	DRAIN PAN, EXTENSION, TALL (M10, M11, M12)			
211	0121A00633	Bracket, Drip Shield (M1, M2, M3, M4, M5, M6)			
211	0121A00634	Bracket, Drip Shield (M7, M8, M9, M10, M11, M12)			
NS	0163M00175	CAP WITH O-RING			
NS	PKCG-4001ZB	PISTON KIT CHART (M1, M4, M7, M10)			
NS	PKCG-4001ZC	PISTON KIT CHART (M2, M3, M5, M6, M8, M9, M11, M12)			
NS	0151M00104	VALVE CORE			

## Expanded Model Nomenclature

M1 - XRUF25B24AA
M2 - XRUF25B24AB
M3 - XRUF25B24AC
M4 - XRUF37C24AA
M5 - XRUF37C24AB
M6 - XRUF37C24AC
M7 - XRUF49D24AA
M8 - XRUF49D24AB
M9 - XRUF49D24AC
M10 - XRUF61D24AA
M11 - XRUF61D24AB
M12 - XRUF61D24AC

# Blower Assembly

## BLOWER ASSEMBLY



BLOWER ASSEMBLY MAY DIFFER FROM WHAT IS SHOWN

MOTOR MOUNT DETAIL

# Blower Assembly

Ref. Part No:	Ref. Part No:	Description:	Description:
<b>Image 1:</b>			
11	0271A00029	BLOWER HOUSING ASSY 10 X 8 (M4, M5, M6)	
11	0271A00016	BLOWER SHELL ASSY (M7, M8, M9)	
11	0271A00299	BLOWER SHELL ASSY 9X6, MORRISON (M1, M2, M3)	
11	0271A00340	BLOWER SHELL ASSY, CONCAVE (M10, M11, M12)	
21	0131M00790	Motor, 1/4 HP, 2SP, ID, 50 HZ (M4, M5, M6)	
21	0131M00789	Motor, 1/8 HP, 2SP, ID, 50 HZ (M1, M2, M3)	
21	0131M00792	Motor, 3/4 HP, 2SP, ID, 50 HZ (M7, M8, M9, M10, M11, M12)	
31	B1368047	BLOWER WHEEL 10 X 10 (M7, M8, M9)	
31	B1368058	BLOWER WHEEL 10 X 8 (M4, M5, M6)	
41	764741	BLOWER BLOCK-OFF 10 X 10 (M7, M8, M9)	
41	764740	BLOWER BLOCK-OFF 10 X 8 (M4, M5, M6)	
71	CAP150000370LA	CAPACITOR 15/370V (M7, M8, M9, M10, M11, M12)	
71	CAP050000370LA	CAPACITOR 5/370V (M1, M2, M3)	
71	CAP075000370LA	CAPACITOR 7.5/370V (M4, M5, M6)	
81	20520901	STRAP-CAPACITOR	
201	M0250558	TC SCREW (M1, M2, M3, M4, M5, M6)	
341	B1392918	WASHER, FLAT 1/4 ID X 1 OD (M7, M8, M9, M10, M11, M12)	
351	M0250565	SCREW-TC 1.25" (M7, M8, M9, M10, M11, M12)	
361	0121M00039	MOUNT BAND, MOTOR (HEAVY DUTY) (M7, M8, M9, M10, M11, M12)	
371	0163M00538	MOUNT ARM, MOTOR (M7, M8, M9, M10, M11, M12)	
381	B1393800	LOCKNUT, NYLON, INSERT 1/4, 20 (M7, M8, M9, M10, M11, M12)	
391	0163M00320	HEX HEAD ALL THREAD TAP BOLT (M7, M8, M9, M10, M11, M12)	

## Expanded Model Nomenclature

M1 - XRUF25B24AA
M2 - XRUF25B24AB
M3 - XRUF25B24AC
M4 - XRUF37C24AA
M5 - XRUF37C24AB
M6 - XRUF37C24AC
M7 - XRUF49D24AA
M8 - XRUF49D24AB
M9 - XRUF49D24AC
M10 - XRUF61D24AA
M11 - XRUF61D24AB
M12 - XRUF61D24AC