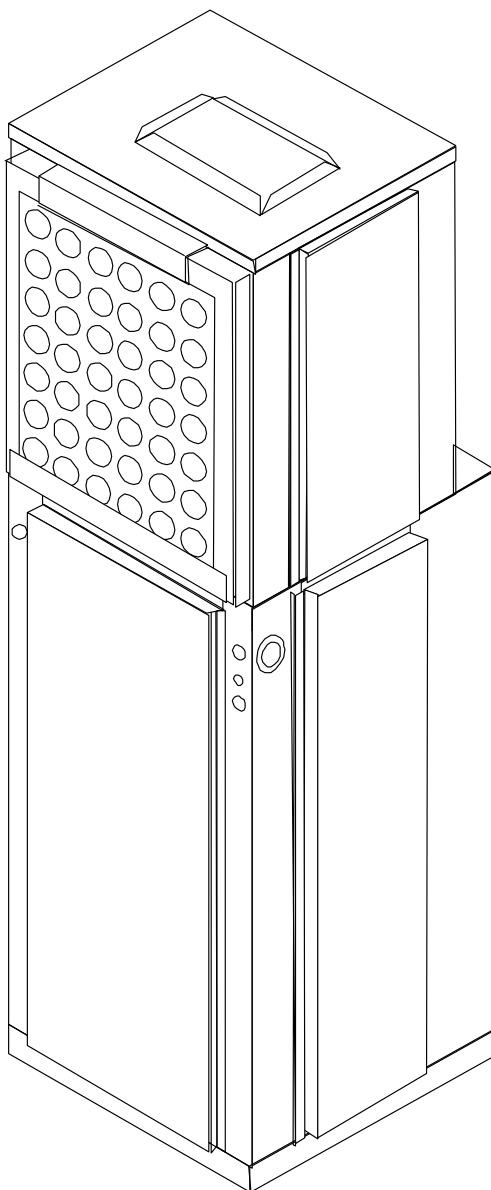


VTH24 Vertical Packaged Terminal Air Conditioner Heat Pumps

VTH243B03AB
VTH243B04AB
VTH243B05AB
VTH243B06AB
VTH243B08AB
VTH243B10AB



Amana is a trademark of Maytag Corporation and used under license to Goodman Company, L.P. All rights reserved.

This manual is to be used by qualified technicians only.

© 2009 Goodman Company, L.P. ♦ 5151 San Felipe, Suite 500 ♦ Houston, TX 77056

Important Information

Index

Functional Parts List	3
Illustration and Parts	4 - 7

Views shown are for parts illustrations only, not servicing procedures.

Text Codes:

AR - As Required

NA - Not Available

NS - Not Shown

00000000 - See Note

QTY - Quantity Example (QTY 3) (If Quantity not shown, Quantity = 1)

M - Model Example (M1) (If M Code not shown, then part is used on all Models)

Expanded Model Nomenclature:

Example M1 - Model#1 M2 - Model#2 M3 - Model#3

Goodman Company, L.P. is not responsible for personal injury or property damage resulting from improper service. Review all service information before beginning repairs.

Warranty service must be performed by an authorized technician, using authorized factory parts. If service is required after the warranty expires, Goodman Company, L.P. also recommends contacting an authorized technician and using authorized factory parts.

Goodman Company, L.P. reserves the right to discontinue, or change at any time, specifications or designs without notice or without incurring obligations.

For assistance within the U.S.A. contact:

Consumer Affairs Department

Goodman Company, L.P.

7401 Security Way

Houston, Texas 77040

877-254-4729-Telephone

713-863-2382-Facsimile

For assistance outside the U.S.A. contact:

International Division

Goodman Company, L.P.

7401 Security Way

Houston, Texas 77040

713-861-2500-Telephone

713-863-2382-Facsimile

Functional Parts

Part

No: Description:

RF000120	3 KW HEATER ELEMENT (M1)
RF000121	4 KW HEATER ELEMENT (M2)
RF000121	4 KW HEATER ELEMENT [QTY 2] (M2, M5)
RF000122	5 KW HEATER ELEMENT (M3, M6)
RF000123	6 KW HEATER ELEMENT (M4)
RF000125	BLOWER MOTOR
RF000063	CAPACITOR 5/35/370V
RF000106	COMPRESSOR
M177	COND MOTOR
RF000043	CONTROL BOARD
RF000047	DISCONNECT SWITCH
RF000044	FUSE
RF000050	LOW AMBIENT SWITCH

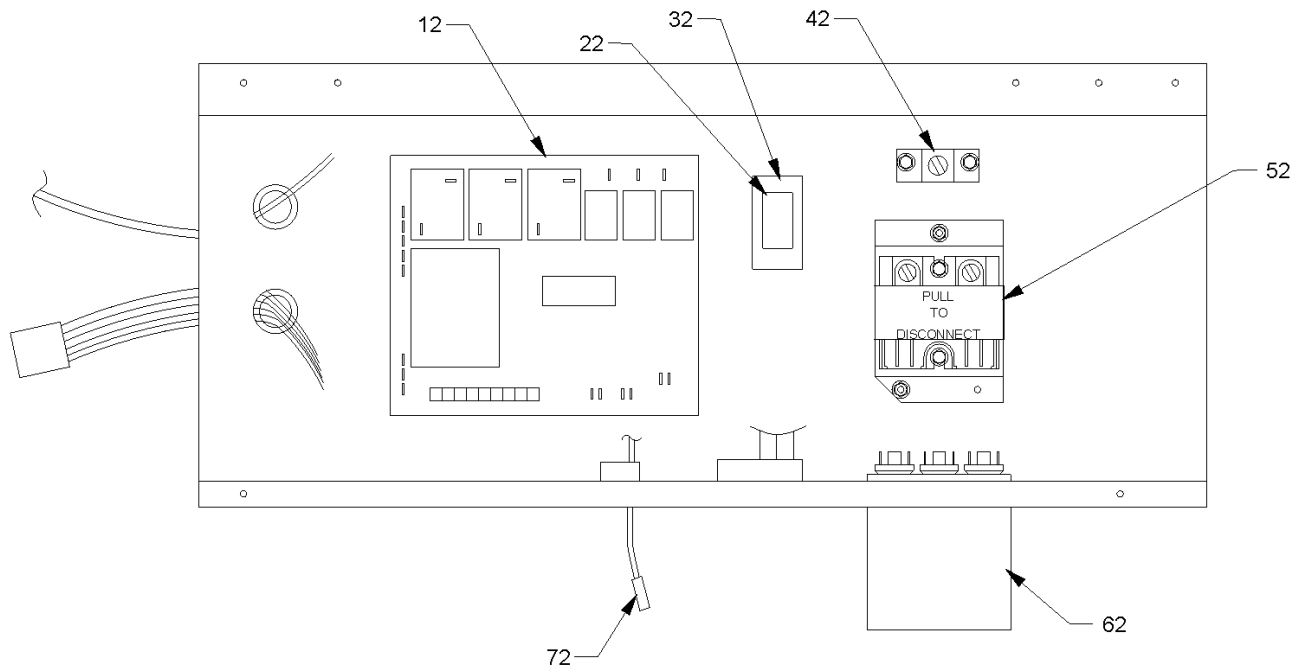
SPECIAL PARTS

20292301	INSTALLATION INSTRUCTIONS
RP-556	REPAIR PARTS MANUAL
RS470001	SERVICE MANUAL

Expanded Model Nomenclature

M1 - VTH243B03AB
M2 - VTH243B04AB
M3 - VTH243B05AB
M4 - VTH243B06AB
M5 - VTH243B08AB
M6 - VTH243B10AB

Internal Components



Internal Components

Ref. Part No:	No:	Description:	Ref. Part No:	No:	Description:
---------------	-----	--------------	---------------	-----	--------------

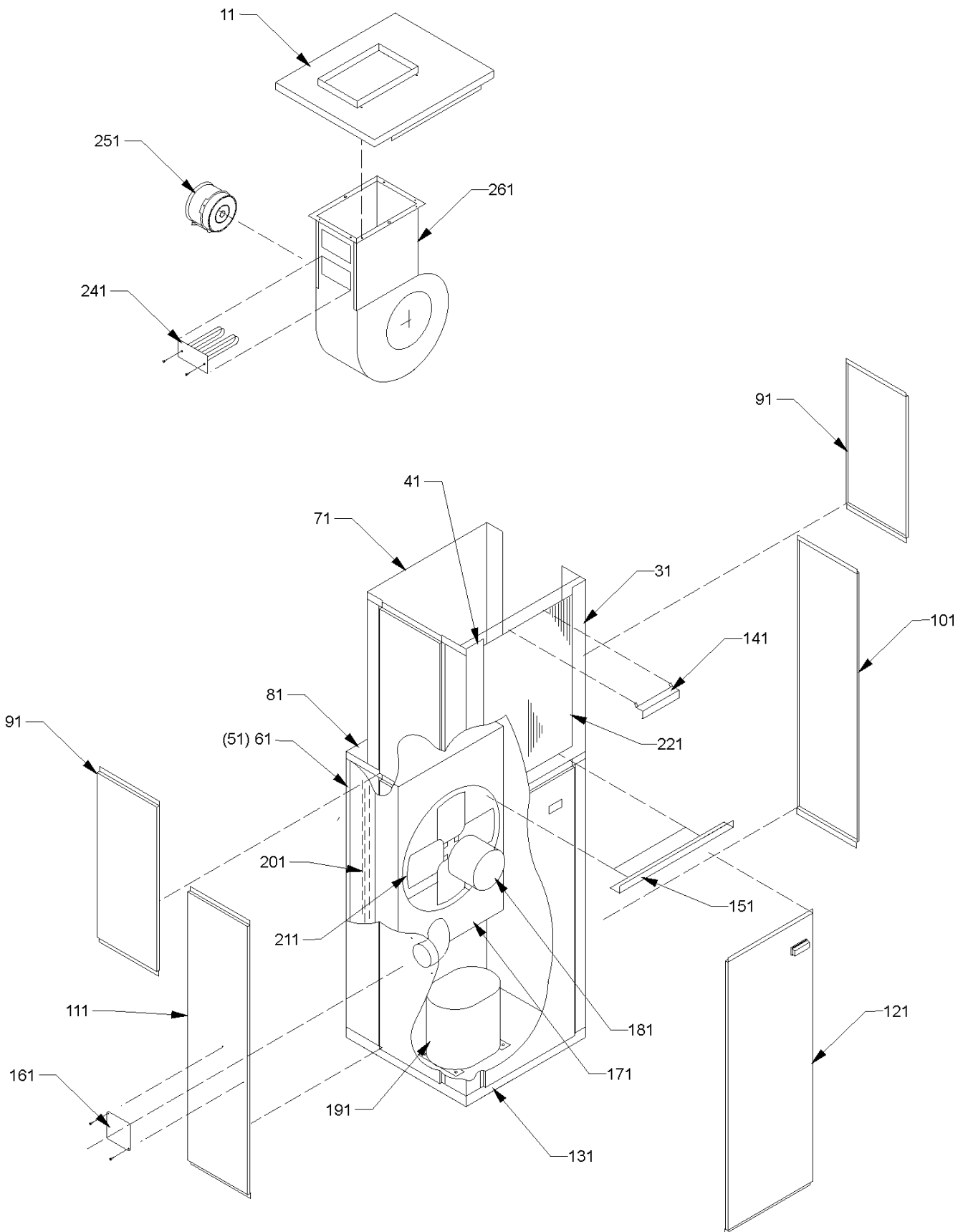
Image 1:

11	RF000043	CONTROL BOARD
21	RF000044	FUSE
31	RF000045	FUSE BLOCK
41	RF000046	GROUNDING LUG
51	RF000047	DISCONNECT SWITCH
61	RF000063	CAPACITOR 5/35/370V
71	RF000050	LOW AMBIENT SWITCH

Expanded Model Nomenclature

M1 - VTH243B03AB
M2 - VTH243B04AB
M3 - VTH243B05AB
M4 - VTH243B06AB
M5 - VTH243B08AB
M6 - VTH243B10AB

Internal Components



Internal Components

Ref. Part No:	Ref. Part No:	Description:	Description:
<i>Image 1:</i>			
11	RF000103	TOP PANEL	
31	RF000066	CORNER POST, FRONT REAR	
41	RF000067	CORNER POST, FRONT LEFT	
51	RF000068	CORNER POST, REAR RIGHT	
61	RF000069	CORNER POST, REAR LEFT	
71	RF000070	REAR VERTICAL PANEL	
81	RF000071	MIDDLE PANEL	
91	RF000072	ACCESS PANEL, UPPER LEFT & RIGHT	
101	RF000073	ACCESS PANEL, LOWER RIGHT	
111	RF000074	ACCESS PANEL, LOWER LEFT	
121	RF000075	FRONT ACCESS PANEL	
131	RF000076	BASE PAN	
141	RF000077	UPPER FILTER CLIP	
151	RF000078	BOTTOM FILTER HOLDER	
161	RF000079	VENT COVER PLATE	
171	RF000080	COND FAN SHROUD	
181	M177	COND MOTOR	
191	RF000106	COMPRESSOR	
201	RF000108	TUBING ASSY, COND COIL	
211	RF000087	FAN BLADE	
221	RF000112	EVAPORATOR	
241	RF000120	3 KW HEATER ELEMENT (M1)	
241	RF000121	4 KW HEATER ELEMENT (M2)	
241	RF000121	4 KW HEATER ELEMENT [QTY 2] (M5)	
241	RF000122	5 KW HEATER ELEMENT (M3)	
241	RF000122	5 KW HEATER ELEMENT [QTY 2] (M6)	
241	RF000123	6 KW HEATER ELEMENT (M4)	
251	RF000125	BLOWER MOTOR	
261	RF000126	BLOWER HOUSING	
NS	RF000117	COOLING PISTON	
NS	RF000115	HEATING PISTON	

Expanded Model Nomenclature

- | |
|------------------|
| M1 - VTH243B03AB |
| M2 - VTH243B04AB |
| M3 - VTH243B05AB |
| M4 - VTH243B06AB |
| M5 - VTH243B08AB |
| M6 - VTH243B10AB |

