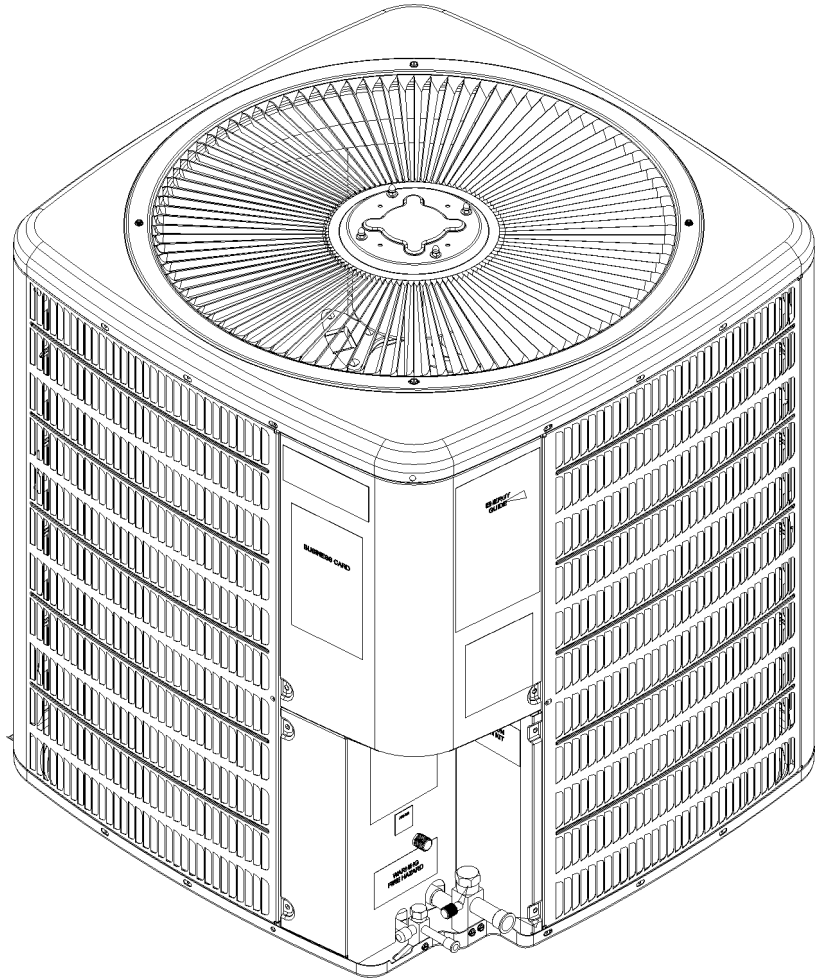


# REPAIR PARTS

---

## VSZ14 Remote Heat Pump

VSZ140181AE  
VSZ140241AE  
VSZ140301AE  
VSZ140361AD  
VSZ140421AD  
VSZ140481AC  
VSZ140481AD  
VSZ140491AD  
VSZ140601AC  
VSZ140601AD



This manual is to be used by qualified technicians only.

This manual replaces RP-4310.

© 2016 - 2017 Goodman Manufacturing Company, L.P. ♦ 5151 San Felipe St., Suite 500 ♦ Houston, TX 77056

# Important Information

---

## Index

Functional Parts List .....	3
Illustration and Parts .....	4 - 9

*Views shown are for parts illustrations only, not servicing procedures*

### Text Codes:

AR - As Required

NA - Not Available

NS - Not Shown

00000000 - See Note

QTY - Quantity Example (QTY 3) (If Quantity not shown, Quantity = 1)

M - Model Example (M1) (If M Code not shown, then part is used on all Models)

### Expanded Model Nomenclature:

Example M1 - Model#1 M2 - Model#2 M3 - Model#3
---

Goodman Manufacturing Company, L.P. is not responsible for personal injury or property damage resulting from improper service. Review all service information before beginning repairs.

Warranty service must be performed by an authorized technician, using authorized factory parts. If service is required after the warranty expires, Goodman Manufacturing Company, L.P. also recommends contacting an authorized technician and using authorized factory parts.

Goodman Manufacturing Company, L.P. reserves the right to discontinue, or change at any time, specifications or designs without notice or without incurring obligations.

For assistance within the U.S.A. contact:  
Homeowner Support  
Goodman Manufacturing Company, L.P.  
19001 Kermier Road  
Waller, Texas 77484  
877-254-4729-Telephone  
713-863-2382-Facsimile

For assistance outside the U.S.A. contact:  
International Division  
Goodman Manufacturing Company, L.P.  
19001 Kermier Road  
Waller, Texas 77484  
713-861-2500-Telephone  
713-863-2382-Facsimile

# Functional Parts

## Part

## No: Description:

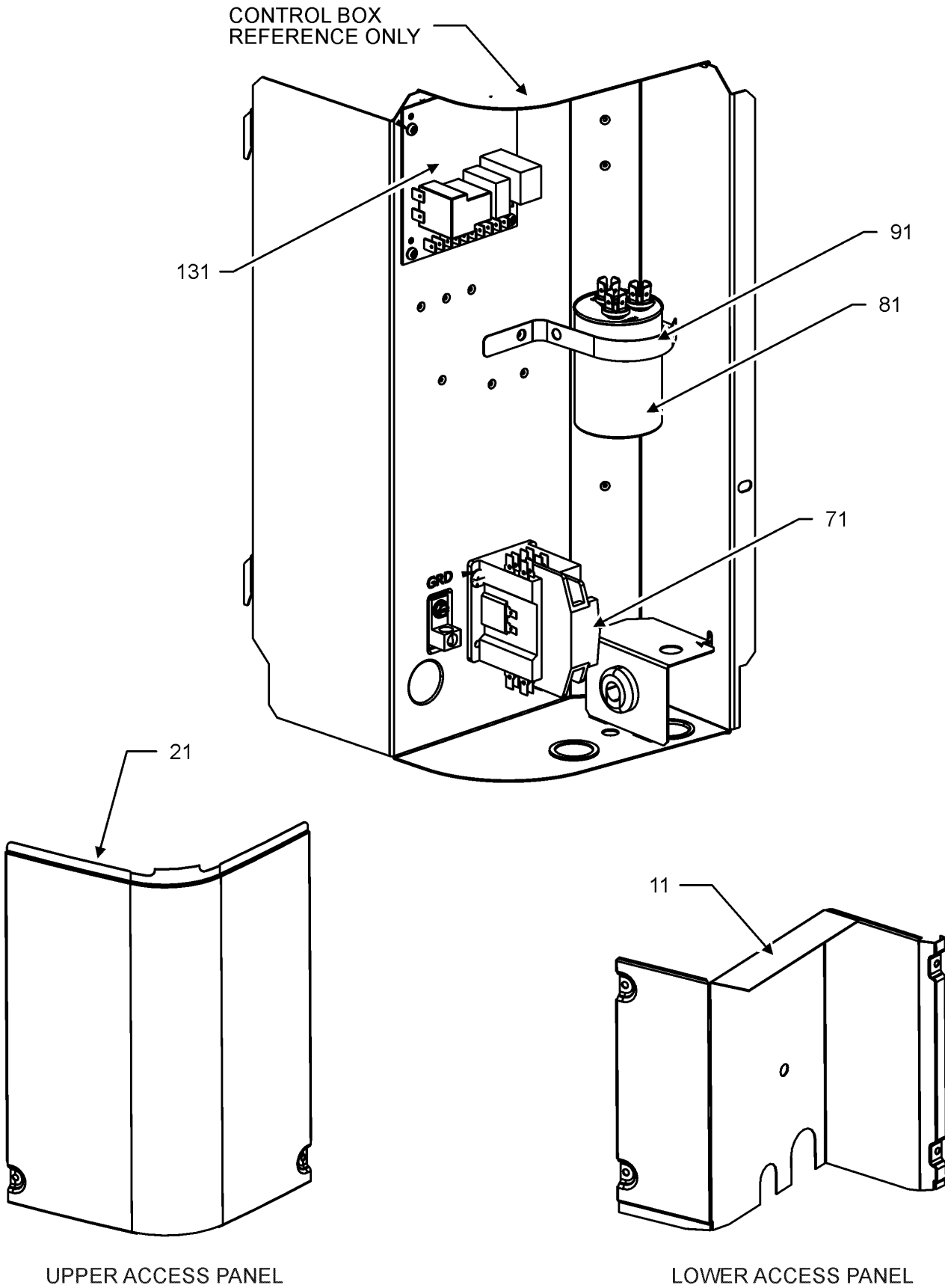
---

0151R00079	BASE VALVE 3/4" (M1, M2, M3, M4)
0151R00078	BASE VALVE 3/8"
0151R00080	BASE VALVE 7/8" (M5, M6, M7, M8, M9, M10)
CAP050300440CS	CAP,5/30MFD/440V/DUAL RD (M1)
CAP050350440CS	CAPACITOR 5/35/440V (M2, M3)
CAP050450440CT	CAPACITOR 5/45/440V/DUAL RD (M4, M5, M6, M7, M8)
CAP050700440CT	CAPACITOR 5/70/440V/DUAL RD (M9, M10)
ZP14K6EPFV130	COMP, 14,000,208/230/60/1 (M1)
ZP20K6EPFV130	COMP, 20,000,208/230/60/1 (M2)
ZP34K6EPFV130	COMP, 46500, 208/230/60/1 (M5)
ZP40K6EPFV130	COMP, 53700, 208/230/60/1 (M6, M7)
ZP25K6EPFV130	COMP,34200,208/230/60/1 (M3)
ZP31K6EPFV130	COMP,42500,208/230/60/1 (M4)
ZP39K5EPFV130	COMPRESSOR 39000, 208/230/60/1 (M8)
ZP51K5EPFV130	COMPRESSOR 51000, 208/230/60/1 (M9, M10)
CONT1P025024V	CONTACTOR 25 AMP, 1P, 24V (M1, M2, M3, M4, M5)
CONT1P030024V	CONTACTOR 30 AMP, 1P, 24V (M6, M7, M8, M9, M10)
0130M00250	CONTROL, DEFROST
0130M00089	CUT-OUT SWITCH, HIGH PRESSURE
0130M00088	CUT-OUT SWITCH, LOW PRESSURE
PCBDM133	DEFROST CONTROL BOARD
0130M00106	DISC THERMOSTAT(CRNLCS HTR SW)
0163R00006	HEATER, CRANKCASE 230V, 40W (M1, M2, M3, M4)
0163R00007	HEATER, CRANKCASE 230V, 40W (M5, M6, M7, M8, M9, M10)
0131M00807	MOTOR, 1/4HP,1SP,8PL,AL (M6, M7, M9, M10)
0131M00753	MOTOR, 1/6HP, 1SP, 8PL, AL (M1, M2, M3, M4)
0131M00754	MOTOR, PSC, 1/6HP, 8PL (M5, M8)
0151R00068	REVERSING VALVE (M1, M2)
0151R00071	REVERSING VALVE (M5, M6, M7, M8, M9, M10)
0151R00069	REVERSING VALVE (M3, M4)
B1225022	SOLENOID COIL

### Expanded Model Nomenclature

M1 - VSZ140181AE
M2 - VSZ140241AE
M3 - VSZ140301AE
M4 - VSZ140361AD
M5 - VSZ140421AD
M6 - VSZ140481AC
M7 - VSZ140481AD
M8 - VSZ140491AD
M9 - VSZ140601AC
M10 - VSZ140601AD

# Control Box Assembly



# Control Box Assembly

Ref. Part No:	Part No:	Description:	Ref. Part No:	Part No:	Description:
---------------	----------	--------------	---------------	----------	--------------

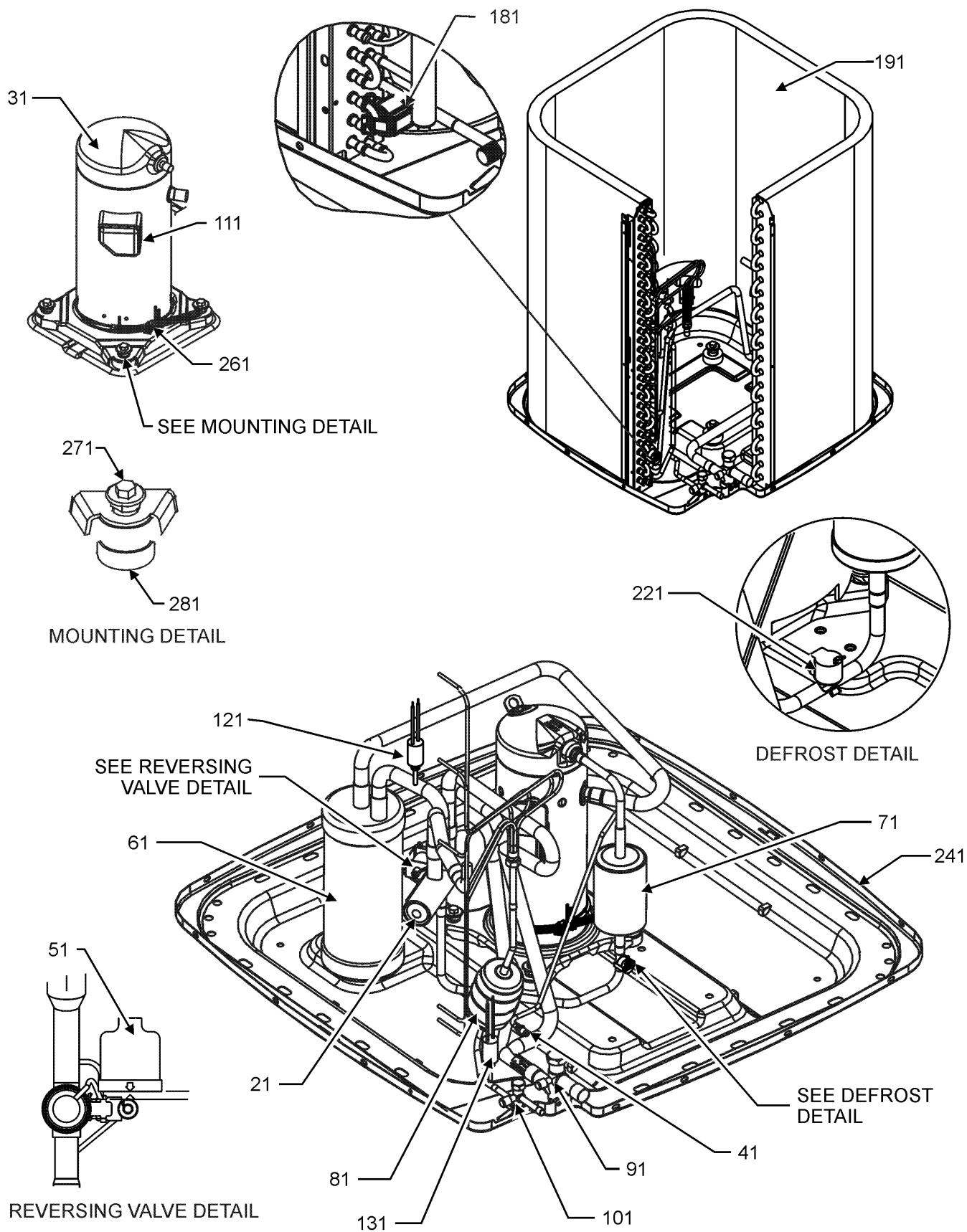
**Image 1:**

11	0121R00154PBB	LOWER ACCESS PANEL (M3, M4, M6, M7)
11	0121R00328PBB	LOWER ACCESS PANEL (M5)
11	0121R00625PBB	LOWER ACCESS PANEL (M1, M2, M8, M9, M10)
21	0121R00053PBB	CONTROL COVER
71	CONT1P025024V	CONTACTOR 25 AMP, 1P, 24V (M1, M2, M3, M4, M5)
71	CONT1P030024V	CONTACTOR 30 AMP, 1P, 24V (M6, M7, M8, M9, M10)
81	CAP050300440CS	CAP.5/30MFD/440V/DUAL RD (M1)
81	CAP050350440CS	CAPACITOR 5/35/440V (M2, M3)
81	CAP050450440CT	CAPACITOR 5/45/440V/DUAL RD (M4, M5, M6, M7, M8)
81	CAP050700440CT	CAPACITOR 5/70/440V/DUAL RD (M9, M10)
91	4400065	CAPACITOR STRAP
131	PCBDM133	DEFROST CONTROL BOARD

**Expanded Model Nomenclature**

M1 - VSZ140181AE
M2 - VSZ140241AE
M3 - VSZ140301AE
M4 - VSZ140361AD
M5 - VSZ140421AD
M6 - VSZ140481AC
M7 - VSZ140481AD
M8 - VSZ140491AD
M9 - VSZ140601AC
M10 - VSZ140601AD

# Compressor and Tubing Assembly



# Compressor and Tubing Assembly

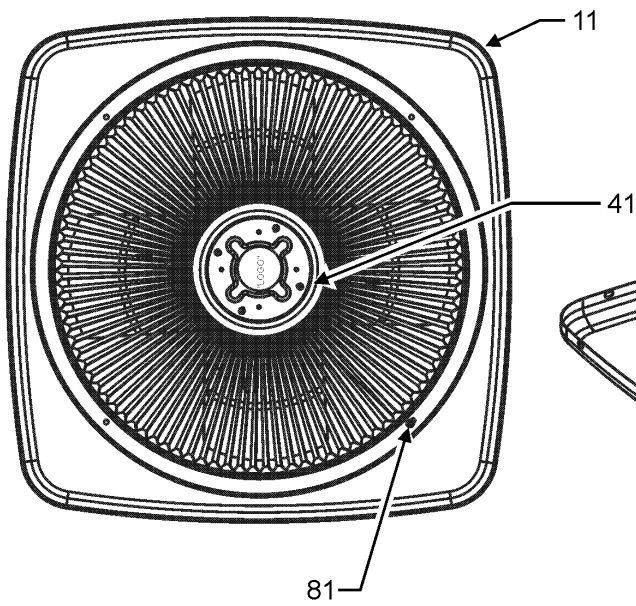
Ref. Part No: No:	Description:	Ref. Part No: No:	Description:
<b>Image 1:</b>			
21	0151R00068		REVERSING VALVE (M1, M2)
21	0151R00069		REVERSING VALVE (M3, M4)
21	0151R00071		REVERSING VALVE (M5, M6, M7, M8, M9, M10)
31	ZP14K6EPFV130		COMP, 14,000,208/230/60/1 (M1)
31	ZP20K6EPFV130		COMP, 20,000,208/230/60/1 (M2)
31	ZP34K6EPFV130		COMP, 46500, 208/230/60/1 (M5)
31	ZP40K6EPFV130		COMP, 53700, 208/230/60/1 (M6, M7)
31	ZP25K6EPFV130		COMP,34200,208/230/60/1 (M3)
31	ZP31K6EPFV130		COMP,42500,208/230/60/1 (M4)
31	ZP39K5EPFV130		COMPRESSOR 39000, 208/230/60/1 (M8)
31	ZP51K5EPFV130		COMPRESSOR 51000, 208/230/60/1 (M9, M10)
41	B1787000		VALVE CORE
51	0130M00083		REVERSING VALVE HARNESS
61	0151L00008		ACCUMULATOR (M4)
61	0151R00004P		ACCUMULATOR .750 (M1, M2, M3)
61	B1226207		ACCUMULATOR .875 (M5, M6, M7, M8, M9, M10)
71	0162R00007		MUFFLER 1/2 X 1/2
81	20485201		BI-FLOW FILTER DRIER
91	0151R00079		BASE VALVE 3/4" (M1, M2, M3, M4)
91	0151R00080		BASE VALVE 7/8" (M5, M6, M7, M8, M9, M10)
101	0151R00078		BASE VALVE 3/8"
111	0159R00001P		COMPRESSOR SCROLL HARNESS (M1, M2, M3, M4, M6, M7)
111	0159R00002P		COMPRESSOR SCROLL HARNESS (M5, M8, M9, M10)
121	0130M00088		CUT-OUT SWITCH, LOW PRESSURE
131	0130M00089		CUT-OUT SWITCH, HIGH PRESSURE
181	0130M00250		CONTROL, DEFROST
191	0201R00567		COIL TUBING ASSY (M8, M9, M10)
191	0201R00581		COIL TUBING ASSY (M6, M7)
221	0130M00106		DISC THERMOSTAT(CRNKCS HTR SW)
241	0121R00006		BASE PAN, 29" (M1, M2, M3, M4, M6, M7)
241	0121R00007		BASE PAN, 35.5" (M5, M8, M9, M10)
261	0163R00006		HEATER, CRANKCASE 230V, 40W (M1, M2, M3, M4)
261	0163R00007		HEATER, CRANKCASE 230V, 40W (M5, M6, M7, M8, M9, M10)
271	B1339533		COMPRESSOR GROMMET (QTY 4)
281	M0221641		TF SHOULDER SCREW (QTY 4)
NS	0163M00175		CAP WITH O-RING
NS	B1225022		SOLENOID COIL

## Expanded Model Nomenclature

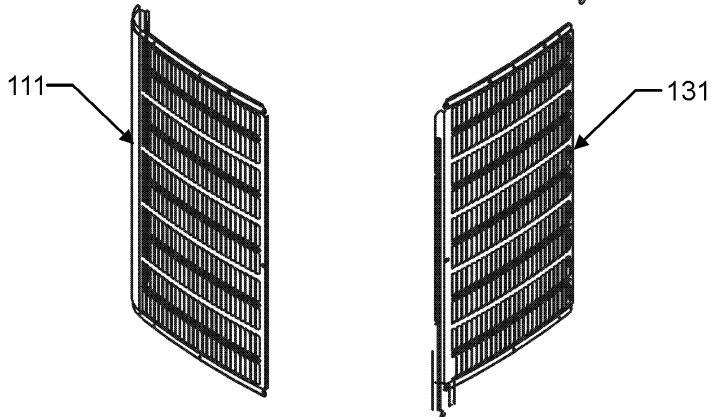
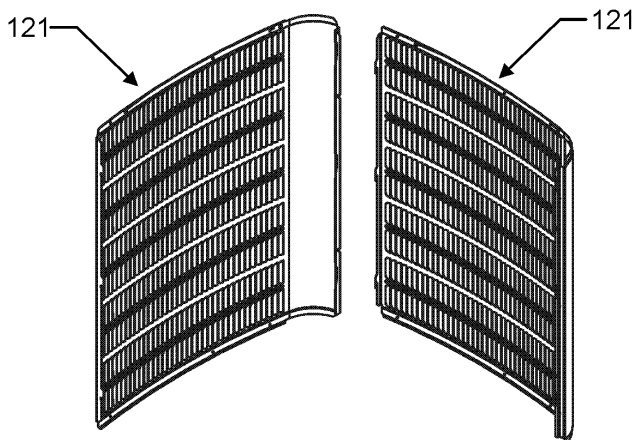
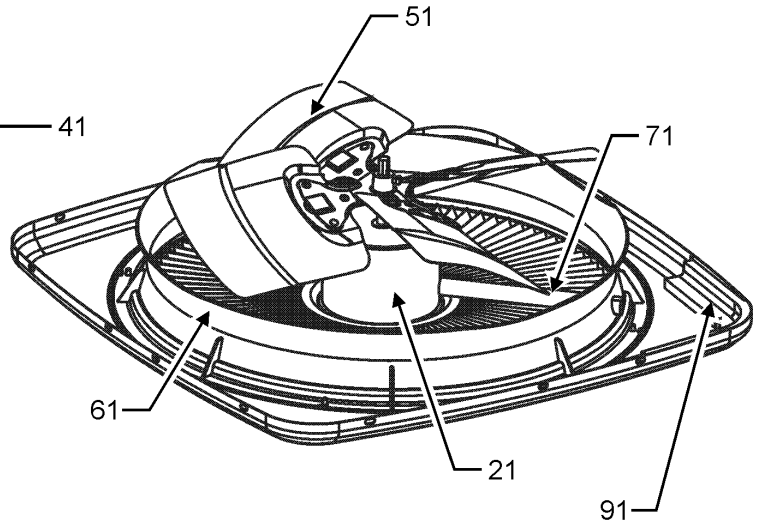
- M1 - VSZ140181AE
- M2 - VSZ140241AE
- M3 - VSZ140301AE
- M4 - VSZ140361AD
- M5 - VSZ140421AD
- M6 - VSZ140481AC
- M7 - VSZ140481AD
- M8 - VSZ140491AD
- M9 - VSZ140601AC
- M10 - VSZ140601AD

# Top and Louver Side Panel Assembly

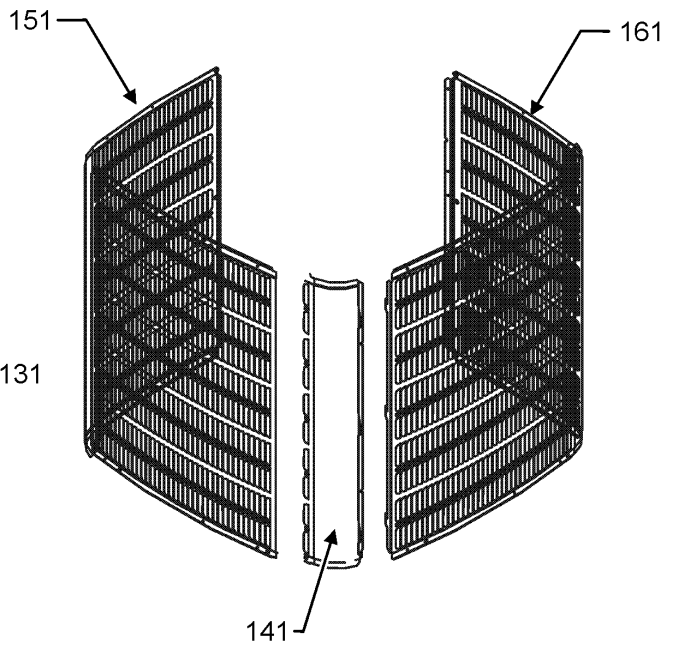
TOP VIEW



BOTTOM VIEW



LOUVER PANEL ASSEMBLY  
STYLE 1



LOUVER PANEL ASSEMBLY  
STYLE 2

# Top and Louver Side Panel Assembly

Ref. Part No: No:	Description:	Ref. Part No: No:	Description:
-------------------	--------------	-------------------	--------------

**Image 1:**

11	0121R00269PBB	PANEL, TOP 35" PNT (M5, M8, M9, M10)
11	0121R00010PBB	TOP PANEL 29" (M1, M2, M3, M4, M6, M7)
21	0131M00807	MOTOR, 1/4HP,1SP,8PL,AL (M6, M7, M9, M10)
21	0131M00753	MOTOR, 1/6HP, 1SP, 8PL, AL (M1, M2, M3, M4)
21	0131M00754	MOTOR, PSC, 1/6HP, 8PL (M5, M8)
41	0163M00006P	ACORN NUT 5/16 HEX BLACK (QTY 4)
51	10625738	FAN BLADE 26" ALUM CCW (M5, M8, M9, M10)
51	B1086764	FAN BLADE TYPE 2 (M1, M2, M3, M4)
51	B1086765	FAN BLADE TYPE 3 (M6, M7)
61	0161R00065	VENTURI RING 26" THROAT (M5, M8, M9, M10)
61	0161R00064	VENTURI RING, 22IN (M1, M2, M3, M4, M6, M7)
71	0161R00002P	CONDUIT (M1, M2, M3, M4, M6, M7)
71	0161R00004P	CONDUIT (M5, M8, M9, M10)
81	0163M00004	SCREW #10X3/4", BLACK (QTY 4)
91	0154R00006	GASKET, CONTROL PANEL
111	0121R00592PBBB	PANEL 1, BENT LOUVER 35_34.64 (M8, M9, M10)
111	0121R00593PBBB	PANEL 1, BENT LOUVER 35_39.84 (M5)
121	0121R00594PBBB	PANEL 2, BENT LOUVER 35_34.64 (M8, M9, M10)
121	0121R00595PBBB	PANEL 2, BENT LOUVER 35_39.84 (M5)
131	0121R00596PBB	PANEL 3, LOUVER 35_34.64 PNT (M8, M9, M10)
131	0121R00597PBB	PANEL 3, LOUVER 35_39.84 PNT (M5)
141	0121R00583PBB	LOUVER POST, PBB 33.14 (M1, M2)
141	0121R00355PBB	LOUVER POST, PBB 34.88 (M3, M4, M6, M7)
151	0121R00586PBBLS	LOUVER PANEL (M1, M2)
151	0121R00587PBBLS	LOUVER PANEL (M3, M4, M6, M7)
161	0121R00586PBBRS	LOUVER PANEL (M1, M2)
161	0121R00587PBBRS	LOUVER PANEL (M3, M4, M6, M7)
NS	B1789872	FLOW CHECK PISTON KIT (M4)
NS	B1789851	FLOW CHECK PISTON KIT .051 (M1)
NS	B1789857	FLOW CHECK PISTON KIT .057 (M2)
NS	B1789865	FLOW CHECK PISTON KIT .065 (M3)
NS	B1789878	FLOW CHECK PISTON KIT .078 (M5)
NS	B1789880	FLOW CHECK PISTON KIT .080 (M6, M7, M8)
NS	B1789888	FLOW CHECK PISTON KIT .088 (M9, M10)

**Expanded Model Nomenclature**

M1 - VSZ140181AE
M2 - VSZ140241AE
M3 - VSZ140301AE
M4 - VSZ140361AD
M5 - VSZ140421AD
M6 - VSZ140481AC
M7 - VSZ140481AD
M8 - VSZ140491AD
M9 - VSZ140601AC
M10 - VSZ140601AD