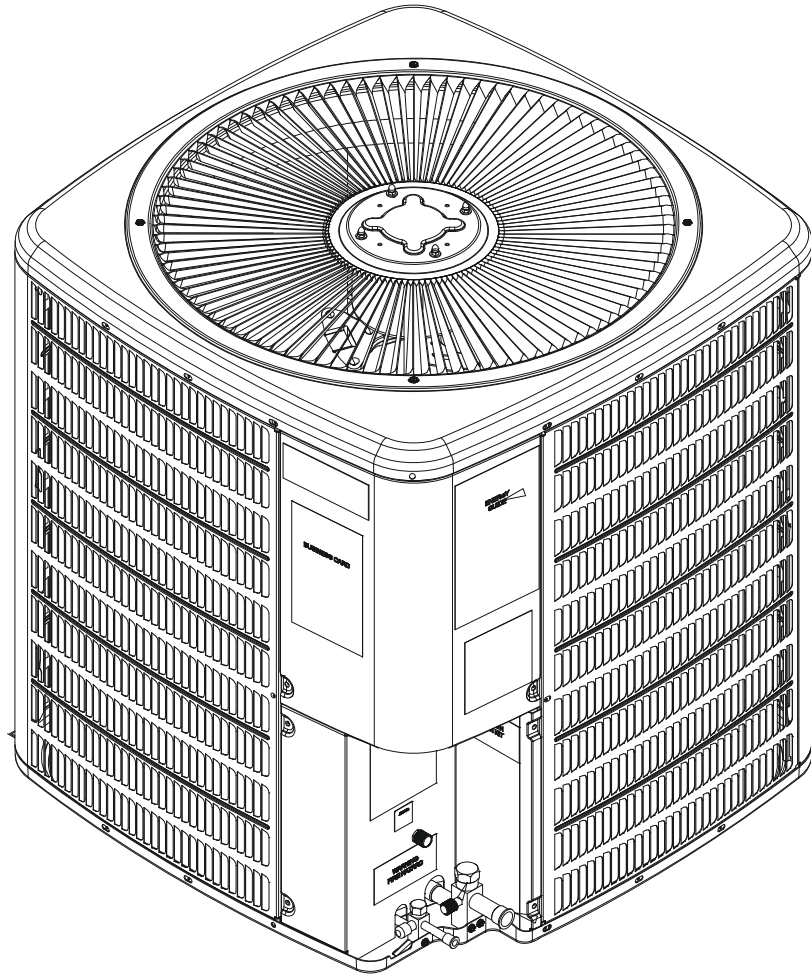


REPAIR PARTS

VSZ 13 SEER Remote Condensing Unit

VSZ130181AA
VSZ130181AB
VSZ130181AC
VSZ130181AD
VSZ130241AA
VSZ130241AB
VSZ130241BA
VSZ130241BB
VSZ130241BC
VSZ130301AA
VSZ130301AB
VSZ130301AC
VSZ130301AD
VSZ130301AE
VSZ130361AA
VSZ130361BA
VSZ130361BB
VSZ130361BC
VSZ130421AA
VSZ130421AB
VSZ130421AC
VSZ130421AD
VSZ130481AA
VSZ130481AB
VSZ130481AC
VSZ130481AD
VSZ130601AA
VSZ130601AB
VSZ130601AC



This manual is to be used by qualified technicians only.

This manual replaces RP-604B.

© 2009,2012 Goodman Manufacturing Company, L.P. ♦ 5151 San Felipe, Suite 500 ♦ Houston, TX 77056

Important Information

Index

Functional Parts List	3
Illustration and Parts	4 - 9

Views shown are for parts illustrations only, not servicing procedures.

Text Codes:

AR - As Required

NA - Not Available

NS - Not Shown

00000000 - See Note

QTY - Quantity Example (QTY 3) (If Quantity not shown, Quantity = 1)

M - Model Example (M1) (If M Code not shown, then part is used on all Models)

Expanded Model Nomenclature:

Example M1 - Model#1 M2 - Model#2 M3 - Model#3

Goodman Manufacturing Company, L.P. is not responsible for personal injury or property damage resulting from improper service. Review all service information before beginning repairs.

Warranty service must be performed by an authorized technician, using authorized factory parts. If service is required after the warranty expires, Goodman Manufacturing Company, L.P. also recommends contacting an authorized technician and using authorized factory parts.

Goodman Manufacturing Company, L.P. reserves the right to discontinue, or change at any time, specifications or designs without notice or without incurring obligations.

For assistance within the U.S.A. contact:
Consumer Affairs Department
Goodman Manufacturing Company, L.P.
7401 Security Way
Houston, Texas 77040
877-254-4729-Telephone
713-863-2382-Facsimile

For assistance outside the U.S.A. contact:
International Division
Goodman Manufacturing Company, L.P.
7401 Security Way
Houston, Texas 77040
713-861-2500-Telephone
713-863-2382-Facsimile

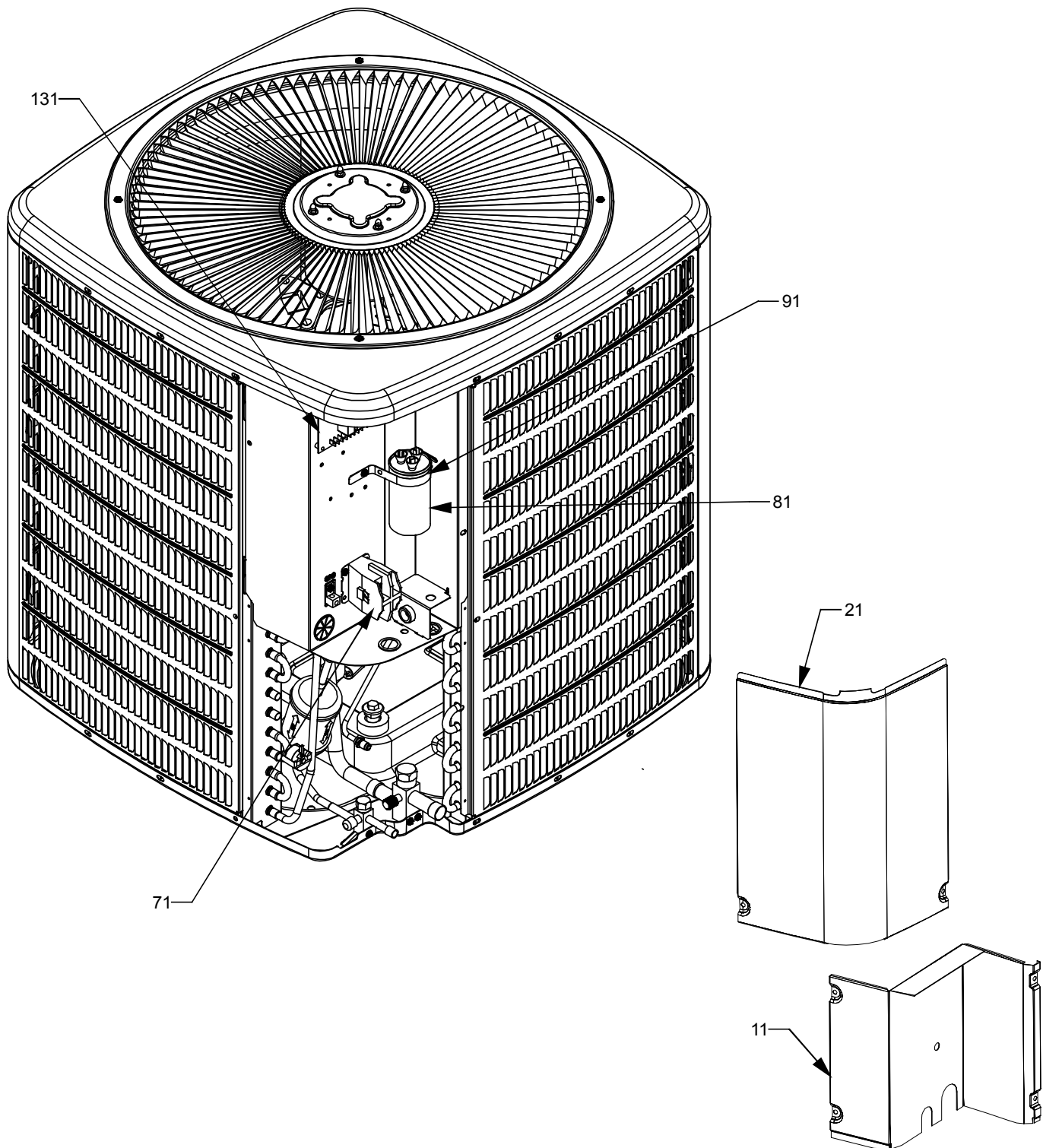
Functional Parts

Part

No: Description:

Part No:	Description:	Part No:	Description:
0131M00266	1/8 HP 8 PL PSC MOTOR (M1, M2, M3, M5, M6, M7, M8, M10, M11, M12, M13)	PCBDM160	DEFROST CONTROL BOARD (M1, M2, M3, M4, M8, M9, M12, M13, M14, M17, M18, M20, M21, M22, M24, M25, M26, M28, M29)
B1226206	ACCUMULATOR (M1, M2, M3, M4, M5, M6, M7, M8, M9, M10, M11, M12, M13, M14)	0150M00018	FAN BLADE 20" (M1, M2, M3, M5, M6)
0151R00004P	ACCUMULATOR .750 (M15, M16, M17, M18)	0150M00012	FAN BLADE 20" CCW (M7, M8, M10, M11, M12, M13)
B1226207	ACCUMULATOR .875 (M19, M20, M21, M22, M23, M24, M25, M26, M27, M28, M29)	0150M00008	FAN BLADE 22" TNT2203-25 (M15, M16, M17, M19, M20, M21)
CAP050300440RS	CAPACITOR 5/30/440V (M2, M3, M4)	B1086750	FAN BLADE 22", 3 BLADE, 24° (M26)
CAP050350440RS	CAPACITOR 5/35/440V (M1)	0150M00013	FAN BLADE 26" CCW (M27, M28, M29)
CAP050400440RT	CAPACITOR 5/40/440V (M5, M6, M7, M8, M9, M10, M11, M12, M13, M14)	B1086765	FAN BLADE TYPE 3 (M23, M24, M25)
CAP050450440RT	CAPACITOR 5/45/440V (M15, M16, M17, M18, M19, M20, M21, M22, M23, M24, M25, M26)	0150M00031	FAN BLADE, 20", 3 BLADE, 21DEG (M4)
CAP050700440RT	CAPACITOR 5/70 MFD/440V/DUAL RD (M27, M28, M29)	0150M00033	FAN BLADE, 20", 3 BLADE, 24DEG (M9, M14)
20270815	COMPENSATOR (M7, M8, M9)	0150M00022	FAN BLADE, 22" (M18, M22)
20270812	COMPENSATOR (M16, M17, M18)	0163R00007	HEATER, CRANKCASE 230V, 40W (M20, M21, M22, M24, M25, M26, M28, M29)
ZP16K5EPFV130	COMPRESSOR 15500, 208/230/60/1 (M1, M2, M3, M4)	0163R00006	HEATER, CRANKCASE 230V, 40W (M2, M3, M4, M8, M9, M12, M13, M14, M17, M18)
ZP21K5EPFV130	COMPRESSOR 21300, 208/230/60/1 (M5, M6, M7, M8, M9)	20322603	HIGH PRESSURE SWITCH (M15, M19, M27)
ZP25K5EPFV130	COMPRESSOR 25200, 208/230/60/1 (M10, M11, M12, M13, M14)	0131M00276	MOTOR, 1/8HP, ISP, 6PL (M4, M9, M14)
ZP31K5EPFV130	COMPRESSOR 31100, 208/230/60/1 (M15, M16, M17, M18)	B1219301	MUFFLER 1/2 X 1/2
ZP36K5EPFV130	COMPRESSOR 36200, 208/230/60/1 (M19, M20, M21, M22)	0151M00018	REVERSING VALVE (M1, M2, M3, M4, M5, M6, M10, M11, M12, M13, M14)
ZP39K5EPFV130	COMPRESSOR 39000, 208/230/60/1 (M23, M24, M25, M26)	B1227314	REVERSING VALVE (M7, M8, M9)
ZP51K5EPFV130	COMPRESSOR 51000, 208/230/60/1 (M27, M28, M29)	0151M00020	REVERSING VALVE (M19, M20, M21, M22, M23, M24, M25, M26, M27, M28, M29)
0131M00018P	COND MOTOR 1/4 HP, 1 SP, 6 PL (M18, M22, M26)	0130M00089	SW-CUTOUT HI PRESS (M3, M4, M9, M13, M14, M18, M21, M22, M25, M26, M29)
0131M00061	COND MOTOR 1/4 HP, 1 SP, 8 PL (M15, M16, M17, M19, M20, M21, M23, M24, M25, M27, M28, M29)	0130M00088	SW-CUTOUT LOW PRESS (M3, M4, M9, M13, M14, M18, M21, M22, M25, M26, M29)
CONT1P025024V	CONTACTOR 25 AMP, 1P, 24V (M1, M2, M3, M4, M5, M6, M7, M8, M9, M10, M11, M12, M13, M14, M15, M16, M17, M18, M19, M20, M21, M22)	0130R00000	SW-CUTOUT LOW PRESS (M7, M15, M16, M19, M27)
CONT1P030024V	CONTACTOR 30 AMP, 1P, 24V (M23, M24, M25, M26, M27, M28, M29)	0151R00032	VALVE, BASE 3/4" OPEN LEFT (M1, M2, M3, M4, M5, M6, M7, M8, M9, M10, M11, M12, M13, M14, M15, M16, M17, M18)
0130R00045	CRANKCASE HEATER SWITCH (M2, M3, M4, M8, M9, M12, M13, M14, M17, M18, M20, M21, M22, M24, M25, M26, M28, M29)	0151R00033	VALVE, BASE 7/8" OPEN LEFT (M19, M20, M21, M22, M23, M24, M25, M26, M27, M28, M29)
0130M00105	DEFROST CONTROL (M1, M2, M3, M4, M5, M6, M10, M11, M12, M13, M14, M15, M19, M20, M21, M22, M23, M24, M25, M26, M27, M28, M29)		
0130M00098	DEFROST CONTROL (M7, M8, M9, M16, M17, M18)		
PCBDM130	DEFROST CONTROL BOARD (M5, M6, M7, M10, M11, M15, M16, M19, M23, M27)		

Control Cover / Control Box



Control Cover / Control Box

Ref. Part No:	No:	Description:	Ref. Part No:	No:	Description:
<i>Image 1:</i>			Expanded Model Nomenclature		
11	0121R00318PBB	LOWER ACCESS PANEL (M15, M19, M20, M21, M22)	M1 - VSZ130181AA		
11	0121R00321PBB	LOWER ACCESS PANEL (M23, M24, M25, M26, M27, M28, M29)	M2 - VSZ130181AB		
11	0121R00322PBB	LOWER ACCESS PANEL (M7, M8, M9, M16, M17, M18)	M3 - VSZ130181AC		
11	0121R00323PBB	LOWER ACCESS PANEL (M1, M2, M3, M4, M5, M6, M10, M11, M12, M13, M14)	M4 - VSZ130181AD		
21	0121R00053PBB	CONTROL COVER	M5 - VSZ130241AA		
71	CONT1P025024V	CONTACTOR 25 AMP, 1P, 24V (M1, M2, M3, M4, M5, M6, M7, M8, M9, M10, M11, M12, M13, M14, M15, M16, M17, M18, M19, M20, M21, M22)	M6 - VSZ130241AB		
71	CONT1P030024V	CONTACTOR 30 AMP, 1P, 24V (M23, M24, M25, M26, M27, M28, M29)	M7 - VSZ130241BA		
81	CAP050300440RS	CAPACITOR 5/30/440V (M2, M3, M4)	M8 - VSZ130241BB		
81	CAP050350440RS	CAPACITOR 5/35/440V (M1)	M9 - VSZ130241BC		
81	CAP050400440RT	CAPACITOR 5/40/440V (M5, M6, M7, M8, M9, M10, M11, M12, M13, M14)	M10 - VSZ130301AA		
81	CAP050450440RT	CAPACITOR 5/45/440V (M15, M16, M17, M18, M19, M20, M21, M22, M23, M24, M25, M26)	M11 - VSZ130301AB		
81	CAP050700440RT	CAPACITOR 5/70 MFD/440V/DUAL RD (M27, M28, M29)	M12 - VSZ130301AC		
91	4400065	CAPACITOR STRAP	M13 - VSZ130301AD		
131	PCBDM130	DEFROST CONTROL BOARD (M5, M6, M7, M10, M11, M15, M16, M19, M23, M27)	M14 - VSZ130301AE		
131	PCBDM160	DEFROST CONTROL BOARD (M1, M2, M3, M4, M8, M9, M12, M13, M14, M17, M18, M20, M21, M22, M24, M25, M26, M28, M29)	M15 - VSZ130361AA		
			M16 - VSZ130361BA		
			M17 - VSZ130361BB		
			M18 - VSZ130361BC		
			M19 - VSZ130421AA		
			M20 - VSZ130421AB		
			M21 - VSZ130421AC		
			M22 - VSZ130421AD		
			M23 - VSZ130481AA		
			M24 - VSZ130481AB		
			M25 - VSZ130481AC		
			M26 - VSZ130481AD		
			M27 - VSZ130601AA		
			M28 - VSZ130601AB		
			M29 - VSZ130601AC		

Compressor / Tubing Assembly

Image 1

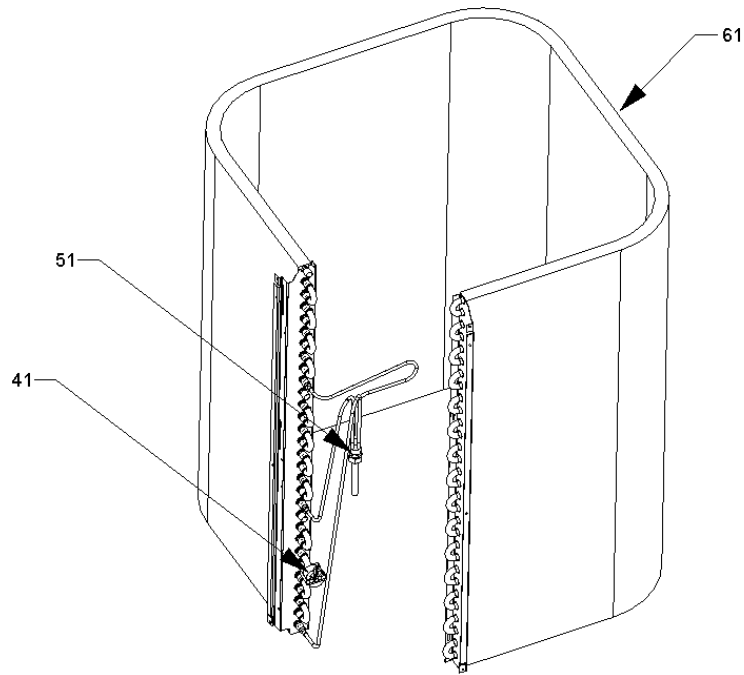
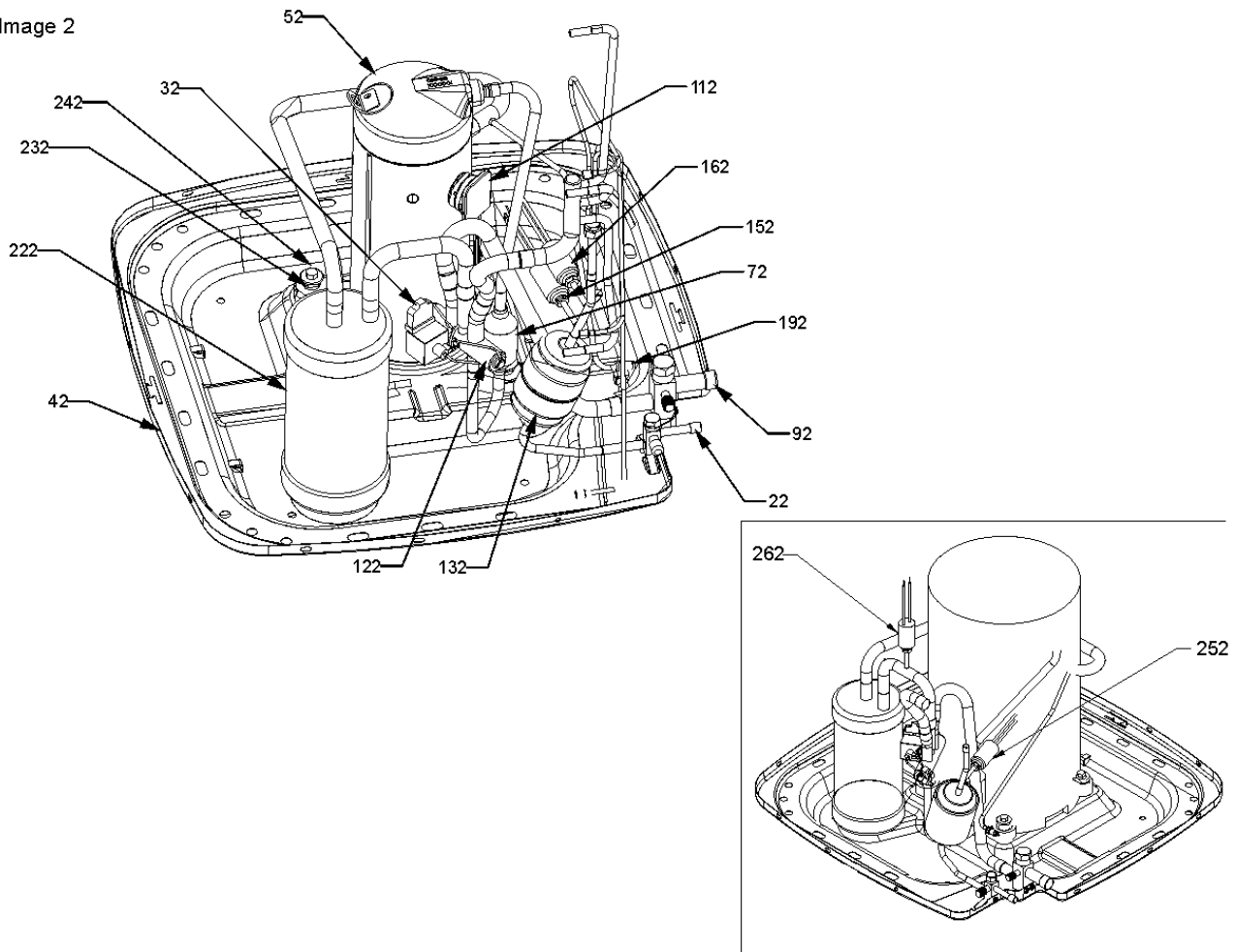


Image 2



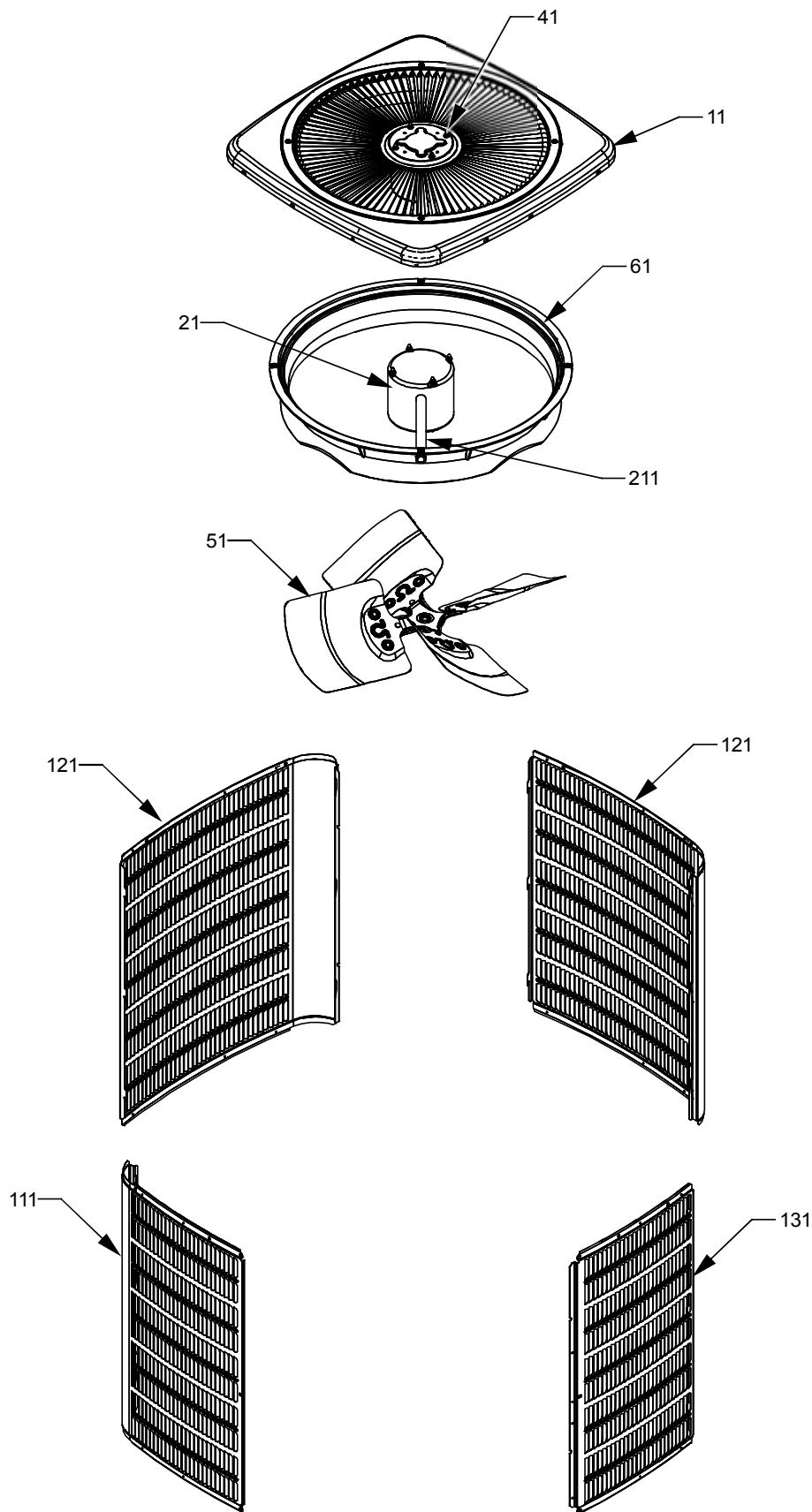
Compressor / Tubing Assembly

Ref. Part No:	No:	Description:	Ref. Part No:	No:	Description:
<i>Image 1:</i>					
41	0130M00098	DEFROST CONTROL (M7, M8, M9, M16, M17, M18)			
41	0130M00105	DEFROST CONTROL (M1, M2, M3, M4, M5, M6, M10, M11, M12, M13, M14, M15, M19, M20, M21, M22, M23, M24, M25, M26, M27, M28, M29)			
51	0162M00057	FLOWRATOR .039 (M1, M2, M3, M4)			
51	0162M00058	FLOWRATOR .043 (M5, M6)			
51	0162M00059	FLOWRATOR .049 (M10, M11, M12, M13, M14)			
51	0162M00068	FLOWRATOR .055 (M15)			
51	0162M00069	FLOWRATOR .059 (M19, M20, M21, M22)			
51	0162M00070	FLOWRATOR .059 (M23, M24, M25, M26)			
51	0162M00060	FLOWRATOR .065 (M27, M28, M29)			
51	0162M00127	FLOWRATOR-4 W/ 0.043 PISTON (M7, M8, M9)			
51	0162M00141	FLOWRATOR-6,.188 ST TUBE 0.055 (M16, M17, M18)			
61	0201R00150	TUBING ASSY, COND COIL (M1, M2, M3, M4)			
61	0201R00151	TUBING ASSY, COND COIL (M15)			
61	0201R00152	TUBING ASSY, COND COIL (M19, M20, M21, M22)			
61	0201R00154	TUBING ASSY, COND COIL (M23, M24, M25, M26)			
61	0201R00155	TUBING ASSY, COND COIL (M27, M28, M29)			
61	0201R00156	TUBING ASSY, COND COIL (M5)			
61	0201R00157	TUBING ASSY, COND COIL (M10)			
61	0201R00285	TUBING ASSY, COND COIL (M16, M17, M18)			
61	0201R00317	TUBING ASSY, COND COIL (M7, M8, M9)			
61	0201R00324	TUBING ASSY, COND COIL (M6)			
61	0201R00325	TUBING ASSY, COND COIL (M11, M12, M13, M14)			
NS	B1789849	FLOW CHECK PISTON KIT .049 (M1, M2, M3, M4)			
NS	B1789857	FLOW CHECK PISTON KIT .057 (M5, M6, M7, M8, M9)			
NS	B1789863	FLOW CHECK PISTON KIT .063 (M10, M11, M12, M13, M14)			
NS	B1789868	FLOW CHECK PISTON KIT .068 (M15)			
NS	B1789870	FLOW CHECK PISTON KIT .070 (M16, M17, M18)			
NS	B1789874	FLOW CHECK PISTON KIT .074 (M19, M20, M21, M22)			
NS	B1789878	FLOW CHECK PISTON KIT .078 (M23, M24, M25, M26)			
NS	B1789888	FLOW CHECK PISTON KIT .088 (M27, M28, M29)			

Compressor / Tubing Assembly

Ref. Part No:	No:	Description:	Ref. Part No:	No:	Description:																													
<i>Image 2:</i>			<i>Image 2:</i>																															
22	B12825171	3/8" SERVICE VALVE	232	B1339533	COMPRESSOR GROMMET (QTY 4)																													
32	B1225020	SOLENOID COIL CORD W/1/4"TERMINAL	242	M0221641	TF SHOULDER SCREW (QTY 4)																													
42	0121R00005PBB	BASE PAN 26" (M1, M2, M3, M4, M5, M6, M7, M8, M9, M10, M11, M12, M13, M14)	252	0130M00089	SW-CUTOUT HI PRESS (M3, M4, M9, M13, M14, M18, M21, M22, M25, M26, M29)																													
42	0121R00006PBB	BASE PAN 29" (M15, M16, M17, M18, M19, M20, M21, M22, M23, M24, M25, M26)	262	0130M00088	SW-CUTOUT LOW PRESS (M3, M4, M9, M13, M14, M18, M21, M22, M25, M26, M29)																													
42	0121R00007PBB	BASE PAN 35" (M27, M28, M29)	NS	20270812	COMPENSATOR (M16, M17, M18)																													
52	ZP16K5EPFV130	COMPRESSOR 15500, 208/230/60/1 (M1, M2, M3, M4)	NS	20270815	COMPENSATOR (M7, M8, M9)																													
52	ZP21K5EPFV130	COMPRESSOR 21300, 208/230/60/1 (M5, M6, M7, M8, M9)	NS	0130R00045	CRANKCASE HEATER SWITCH (M2, M3, M4, M8, M9, M12, M13, M14, M17, M18, M20, M21, M22, M24, M25, M26, M28, M29)																													
52	ZP25K5EPFV130	COMPRESSOR 25200, 208/230/60/1 (M10, M11, M12, M13, M14)	NS	0163R00006	HEATER, CRANKCASE 230V, 40W (M2, M3, M4, M8, M9, M12, M13, M14, M17, M18)																													
52	ZP31K5EPFV130	COMPRESSOR 31100, 208/230/60/1 (M15, M16, M17, M18)	NS	0163R00007	HEATER, CRANKCASE 230V, 40W (M20, M21, M22, M24, M25, M26, M28, M29)																													
52	ZP36K5EPFV130	COMPRESSOR 36200, 208/230/60/1 (M19, M20, M21, M22)	Expanded Model Nomenclature																															
52	ZP39K5EPFV130	COMPRESSOR 39000, 208/230/60/1 (M23, M24, M25, M26)	<table border="1"> <tr><td>M1 - VSZ130181AA</td></tr> <tr><td>M2 - VSZ130181AB</td></tr> <tr><td>M3 - VSZ130181AC</td></tr> <tr><td>M4 - VSZ130181AD</td></tr> <tr><td>M5 - VSZ130241AA</td></tr> <tr><td>M6 - VSZ130241AB</td></tr> <tr><td>M7 - VSZ130241BA</td></tr> <tr><td>M8 - VSZ130241BB</td></tr> <tr><td>M9 - VSZ130241BC</td></tr> <tr><td>M10 - VSZ130301AA</td></tr> <tr><td>M11 - VSZ130301AB</td></tr> <tr><td>M12 - VSZ130301AC</td></tr> <tr><td>M13 - VSZ130301AD</td></tr> <tr><td>M14 - VSZ130301AE</td></tr> <tr><td>M15 - VSZ130361AA</td></tr> <tr><td>M16 - VSZ130361BA</td></tr> <tr><td>M17 - VSZ130361BB</td></tr> <tr><td>M18 - VSZ130361BC</td></tr> <tr><td>M19 - VSZ130421AA</td></tr> <tr><td>M20 - VSZ130421AB</td></tr> <tr><td>M21 - VSZ130421AC</td></tr> <tr><td>M22 - VSZ130421AD</td></tr> <tr><td>M23 - VSZ130481AA</td></tr> <tr><td>M24 - VSZ130481AB</td></tr> <tr><td>M25 - VSZ130481AC</td></tr> <tr><td>M26 - VSZ130481AD</td></tr> <tr><td>M27 - VSZ130601AA</td></tr> <tr><td>M28 - VSZ130601AB</td></tr> <tr><td>M29 - VSZ130601AC</td></tr> </table>			M1 - VSZ130181AA	M2 - VSZ130181AB	M3 - VSZ130181AC	M4 - VSZ130181AD	M5 - VSZ130241AA	M6 - VSZ130241AB	M7 - VSZ130241BA	M8 - VSZ130241BB	M9 - VSZ130241BC	M10 - VSZ130301AA	M11 - VSZ130301AB	M12 - VSZ130301AC	M13 - VSZ130301AD	M14 - VSZ130301AE	M15 - VSZ130361AA	M16 - VSZ130361BA	M17 - VSZ130361BB	M18 - VSZ130361BC	M19 - VSZ130421AA	M20 - VSZ130421AB	M21 - VSZ130421AC	M22 - VSZ130421AD	M23 - VSZ130481AA	M24 - VSZ130481AB	M25 - VSZ130481AC	M26 - VSZ130481AD	M27 - VSZ130601AA	M28 - VSZ130601AB	M29 - VSZ130601AC
M1 - VSZ130181AA																																		
M2 - VSZ130181AB																																		
M3 - VSZ130181AC																																		
M4 - VSZ130181AD																																		
M5 - VSZ130241AA																																		
M6 - VSZ130241AB																																		
M7 - VSZ130241BA																																		
M8 - VSZ130241BB																																		
M9 - VSZ130241BC																																		
M10 - VSZ130301AA																																		
M11 - VSZ130301AB																																		
M12 - VSZ130301AC																																		
M13 - VSZ130301AD																																		
M14 - VSZ130301AE																																		
M15 - VSZ130361AA																																		
M16 - VSZ130361BA																																		
M17 - VSZ130361BB																																		
M18 - VSZ130361BC																																		
M19 - VSZ130421AA																																		
M20 - VSZ130421AB																																		
M21 - VSZ130421AC																																		
M22 - VSZ130421AD																																		
M23 - VSZ130481AA																																		
M24 - VSZ130481AB																																		
M25 - VSZ130481AC																																		
M26 - VSZ130481AD																																		
M27 - VSZ130601AA																																		
M28 - VSZ130601AB																																		
M29 - VSZ130601AC																																		
52	ZP51K5EPFV130	COMPRESSOR 51000, 208/230/60/1 (M27, M28, M29)																																
72	B1219301	MUFFLER 1/2 X 1/2																																
92	0151R00032	VALVE, BASE 3/4" OPEN LEFT (M1, M2, M3, M4, M5, M6, M7, M8, M9, M10, M11, M12, M13, M14, M15, M16, M17, M18)																																
92	0151R00033	VALVE, BASE 7/8" OPEN LEFT (M19, M20, M21, M22, M23, M24, M25, M26, M27, M28, M29)																																
112	0159R00000P	COMPRESSOR SCROLL HARNESS (M1, M2, M3, M4, M5, M6, M7, M8, M9, M10, M11, M12, M13, M14)																																
112	0159R00002P	COMPRESSOR SCROLL HARNESS (M15, M16, M17, M18, M19, M20, M21, M22, M23, M24, M25, M26)																																
112	0159R00002P	COMPRESSOR SCROLL HARNESS (M27, M28, M29)																																
122	0151M00018	REVERSING VALVE (M1, M2, M3, M4, M5, M6, M10, M11, M12, M13, M14)																																
122	0151M00019	REVERSING VALVE (M15, M16, M17, M18)																																
122	0151M00020	REVERSING VALVE (M19, M20, M21, M22, M23, M24, M25, M26, M27, M28, M29)																																
122	B1227314	REVERSING VALVE (M7, M8, M9)																																
132	20485201	BI-FLOW FILTER DRIER (M7, M8, M9, M16, M17, M18)																																
152	0130M00088	SW-CUTOUT LOW PRESS (M1, M2, M5, M6, M8, M10, M11, M12, M17, M20, M23, M24, M28)																																
152	0130R00000	SW-CUTOUT LOW PRESS (M7, M15, M16, M19, M27)																																
162	20322603	HIGH PRESSURE SWITCH (M15, M19, M27)																																
162	0130M00089	SW-CUTOUT HI PRESS (M1, M2, M5, M6, M7, M8, M10, M11, M16, M17, M20, M23, M24, M28)																																
222	B1226206	ACCUMULATOR (M1, M2, M3, M4, M5, M6, M7, M8, M9, M10, M11, M12, M13, M14)																																
222	0151R00004P	ACCUMULATOR .750 (M15, M16, M17, M18)																																
222	B1226207	ACCUMULATOR .875 (M19, M20, M21, M22, M23, M24, M25, M26, M27, M28, M29)																																

Cabinet Top / Side Panels



Cabinet Top / Side Panels

Ref. Part No: No:	Description:	Ref. Part No: No:	Description:
<i>Image 1:</i>		<i>Image 1:</i>	
11	0121R00008PBB TOP PANEL 26" (M1, M2, M3, M4, M5, M6, M7, M8, M9, M10, M11, M12, M13, M14)	131	0121R00039PBB LOUVERED SIDE PANEL [RT OF CNTL PNL] (M15, M19, M20, M21, M22)
11	0121R00010PBB TOP PANEL 29" (M15, M16, M17, M18, M19, M20, M21, M22, M23, M24, M25, M26)	131	0121R00050PBB LOUVERED SIDE PANEL [RT OF CNTL PNL] (M27, M28, M29)
11	0121R00269PBB TOP PANEL, 35" (M27, M28, M29)	131	0121R00173PBB LOUVERED SIDE PANEL [RT OF CNTL PNL] (M7, M8, M9)
21	0131M00266 1/8 HP 8 PL PSC MOTOR (M1, M2, M3, M5, M6, M7, M8, M10, M11, M12, M13)	211	0161R00001P CONDUIT (M1, M2, M3, M4, M5, M6, M7, M8, M9, M10, M11, M12, M13, M14)
21	0131M00018P COND MOTOR 1/4 HP, 1 SP, 6 PL (M18, M22, M26)	211	0161R00002P CONDUIT (M15, M16, M17, M18, M19, M20, M21, M22, M23, M24, M25, M26)
21	0131M00061 COND MOTOR 1/4 HP, 1 SP, 8 PL (M15, M16, M17, M19, M20, M21, M23, M24, M25, M27, M28, M29)	211	0161R00004P CONDUIT (M27, M28, M29)
21	0131M00276 MOTOR, 1/8HP, ISP, 6PL (M4, M9, M14)	Expanded Model Nomenclature	
41	0163M00006P ACORN NUT 5/16 HEX BLACK (QTY 4)	<div style="border: 1px solid black; padding: 5px;"> M1 - VSZ130181AA M2 - VSZ130181AB M3 - VSZ130181AC M4 - VSZ130181AD M5 - VSZ130241AA M6 - VSZ130241AB M7 - VSZ130241BA M8 - VSZ130241BB M9 - VSZ130241BC M10 - VSZ130301AA M11 - VSZ130301AB M12 - VSZ130301AC M13 - VSZ130301AD M14 - VSZ130301AE M15 - VSZ130361AA M16 - VSZ130361BA M17 - VSZ130361BB M18 - VSZ130361BC M19 - VSZ130421AA M20 - VSZ130421AB M21 - VSZ130421AC M22 - VSZ130421AD M23 - VSZ130481AA M24 - VSZ130481AB M25 - VSZ130481AC M26 - VSZ130481AD M27 - VSZ130601AA M28 - VSZ130601AB M29 - VSZ130601AC </div>	
51	0150M00018 FAN BLADE 20" (M1, M2, M3, M5, M6)		
51	0150M00012 FAN BLADE 20" CCW (M7, M8, M10, M11, M12, M13)		
51	0150M00008 FAN BLADE 22" TNT2203-25 (M15, M16, M17, M19, M20, M21)		
51	B1086750 FAN BLADE 22", 3 BLADE, 24° (M26)		
51	0150M00013 FAN BLADE 26" CCW (M27, M28, M29)		
51	B1086765 FAN BLADE TYPE 3 (M23, M24, M25)		
51	0150M00031 FAN BLADE, 20", 3 BLADE, 21DEG (M4)		
51	0150M00033 FAN BLADE, 20", 3 BLADE, 24DEG (M9, M14)		
51	0150M00022 FAN BLADE, 22" (M18, M22)		
61	0161L00000 VENTURI RING 22" (M15, M16, M17, M18, M19, M20, M21, M22, M23, M24, M25, M26)		
61	0161R00007P VENTURI RING 35" (M27, M28, M29)		
111	0121R00015PBBB LOUVERED SIDE PANEL [LT OF CNTL PNL] (M1, M2, M3, M4, M5, M6, M10, M11, M12, M13, M14)		
111	0121R00025PBBB LOUVERED SIDE PANEL [LT OF CNTL PNL] (M23, M24, M25, M26)		
111	0121R00027PBBB LOUVERED SIDE PANEL [LT OF CNTL PNL] (M15, M19, M20, M21, M22)		
111	0121R00042PBBB LOUVERED SIDE PANEL [LT OF CNTL PNL] (M27, M28, M29)		
111	0121R00125PBBB LOUVERED SIDE PANEL [LT OF CNTL PNL] (M16, M17, M18)		
111	0121R00171PBBB LOUVERED SIDE PANEL [LT OF CNTL PNL] (M7, M8, M9)		
121	0121R00018PBBB LOUVERED SIDE PANEL (M1, M2, M3, M4, M5, M6, M10, M11, M12, M13, M14)		
121	0121R00031PBBB LOUVERED SIDE PANEL (M23, M24, M25, M26)		
121	0121R00033PBBB LOUVERED SIDE PANEL (M15, M19, M20, M21, M22)		
121	0121R00046PBBB LOUVERED SIDE PANEL (M27, M28, M29)		
121	0121R00132PBBB LOUVERED SIDE PANEL (M16, M17, M18)		
121	0121R00172PBBB LOUVERED SIDE PANEL (M7, M8, M9)		
131	0121R00021PBB LOUVERED SIDE PANEL [RT OF CNTL PNL] (M1, M2, M3, M4, M5, M6, M10, M11, M12, M13, M14)		
131	0121R00139PBB LOUVERED SIDE PANEL [RT OF CNTL PNL] (M16, M17, M18)		
131	0121R00037PBB LOUVERED SIDE PANEL [RT OF CNTL PNL] (M23, M24, M25, M26)		