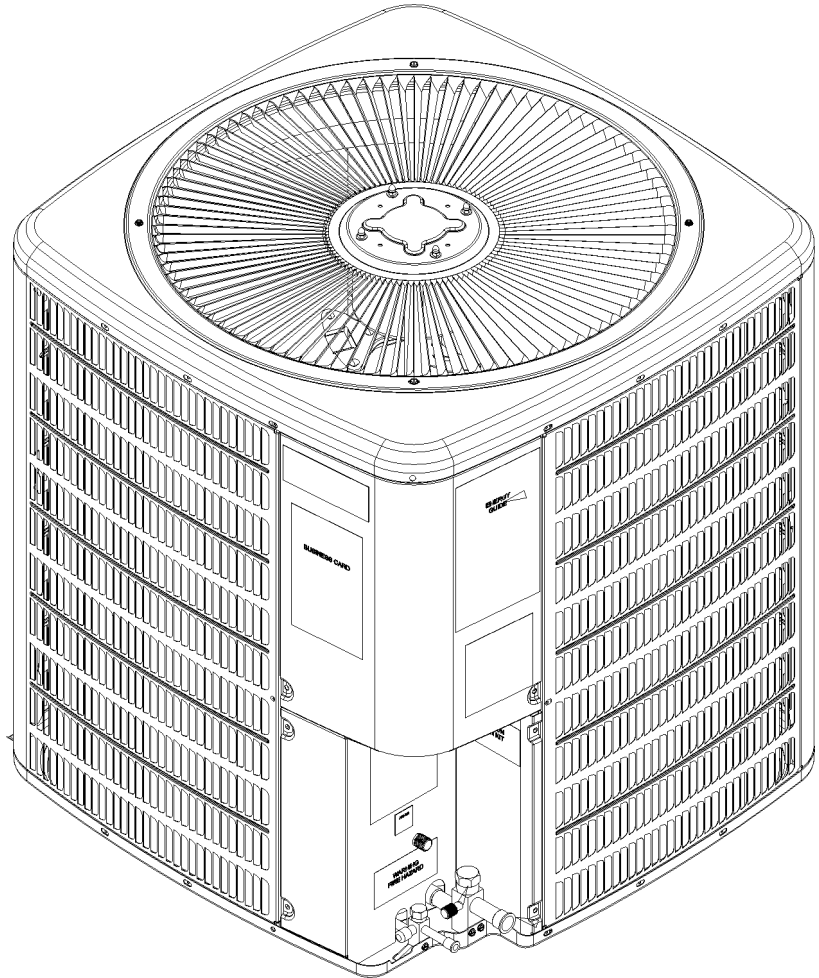


REPAIR PARTS

VSZ13 Remote Heat Pump

VSZ130241BE

VSZ130601AD



This manual is to be used by qualified technicians only.

© 2016 Goodman Manufacturing Company, L.P. ♦ 5151 San Felipe St., Suite 500 ♦ Houston, TX 77056

Important Information

Index

Functional Parts List	3
Illustration and Parts	4 - 9

Views shown are for parts illustrations only, not servicing procedures

Text Codes:

AR - As Required

NA - Not Available

NS - Not Shown

00000000 - See Note

QTY - Quantity Example (QTY 3) (If Quantity not shown, Quantity = 1)

M - Model Example (M1) (If M Code not shown, then part is used on all Models)

Expanded Model Nomenclature:

Example M1 - Model#1 M2 - Model#2 M3 - Model#3

Goodman Manufacturing Company, L.P. is not responsible for personal injury or property damage resulting from improper service. Review all service information before beginning repairs.

Warranty service must be performed by an authorized technician, using authorized factory parts. If service is required after the warranty expires, Goodman Manufacturing Company, L.P. also recommends contacting an authorized technician and using authorized factory parts.

Goodman Manufacturing Company, L.P. reserves the right to discontinue, or change at any time, specifications or designs without notice or without incurring obligations.

For assistance within the U.S.A. contact:
Homeowner Support
Goodman Manufacturing Company, L.P.
19001 Kermier Road
Waller, Texas 77484
877-254-4729-Telephone
713-863-2382-Facsimile

For assistance outside the U.S.A. contact:
International Division
Goodman Manufacturing Company, L.P.
19001 Kermier Road
Waller, Texas 77484
713-861-2500-Telephone
713-863-2382-Facsimile

Functional Parts

Part

No: **Description:**

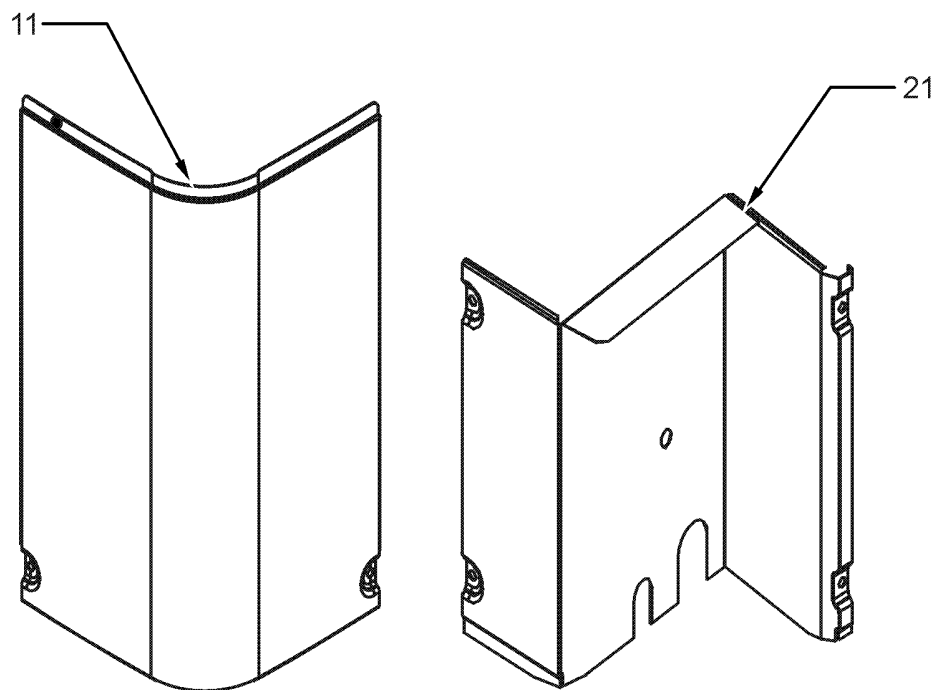
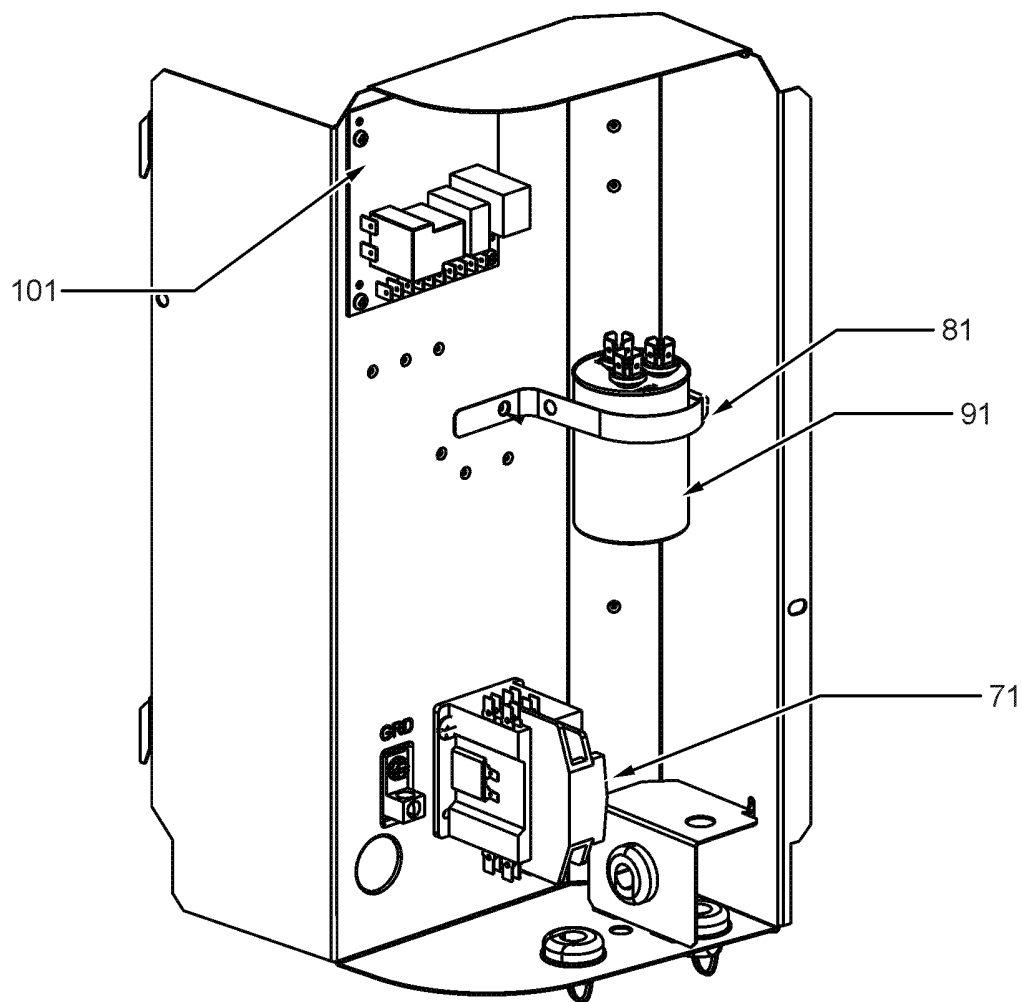
B1226206	ACCUMULATOR (M1)
B1226207	ACCUMULATOR .875 (M2)
0151R00079	BASE VALVE 3/4" (M1)
0151R00078	BASE VALVE 3/8"
0151R00080	BASE VALVE 7/8" (M2)
CAP050400440CT	CAPACITOR 5/40/440V/DUAL RD (M1)
CAP050700440CT	CAPACITOR 5/70/440V/DUAL RD (M2)
ZP21K5EPFV130	COMPRESSOR 21300, 208/230/60/1 (M1)
ZP51K5EPFV130	COMPRESSOR 51000, 208/230/60/1 (M2)
CONT1P025024V	CONTACTOR 25 AMP, 1P, 24V (M1)
CONT1P030024V	CONTACTOR 30 AMP, 1P, 24V (M2)
0130M00105	CONTROL, DEFROST (M2)
0130M00098	CONTROL, DEFROST (M1)
0130M00089	CUT-OUT SWITCH, HIGH PRESSURE
0130M00088	CUT-OUT SWITCH, LOW PRESSURE
PCBDM133	DEFROST CONTROL BOARD
0130M00106	DISC THERMOSTAT CRNKCS HTR SW
0163R00006	HEATER, CRANKCASE 230V, 40W (M1)
0163R00007	HEATER, CRANKCASE 230V, 40W (M2)
0131M00807	MOTOR, 1/4HP, 1SP, 8PL, AL (M2)
0131M00800	MOTOR, 1/8HP, 1SP, 6PL, AL (M1)
0151R00067	REVERSING VALVE (M1)
0151M00020	REVERSING VALVE (M2)

Expanded Model Nomenclature

M1 - VSZ130241BE

M2 - VSZ130601AD

Control Cover / Control Box Assembly



Control Cover / Control Box Assembly

Ref. Part No:	No:	Description:	Ref. Part No:	No:	Description:
---------------	-----	--------------	---------------	-----	--------------

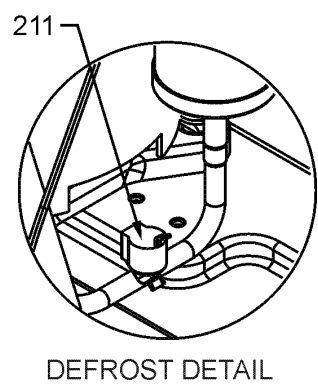
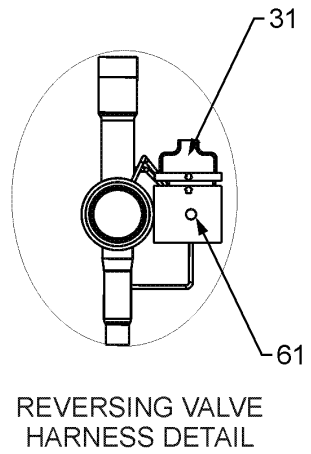
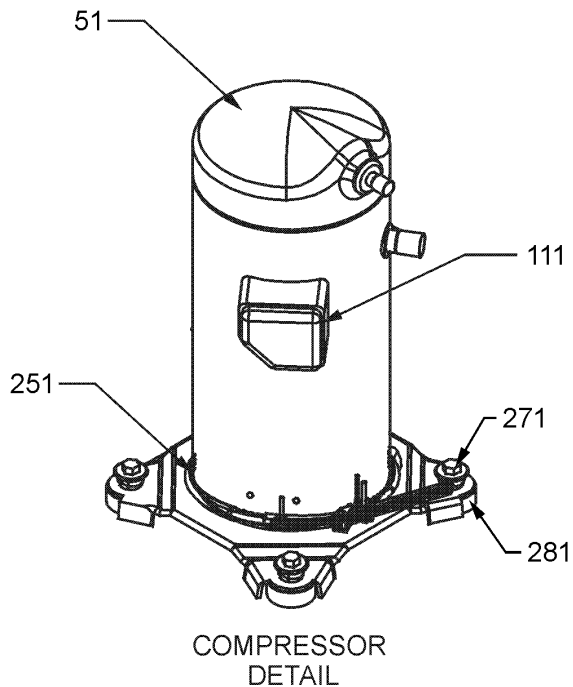
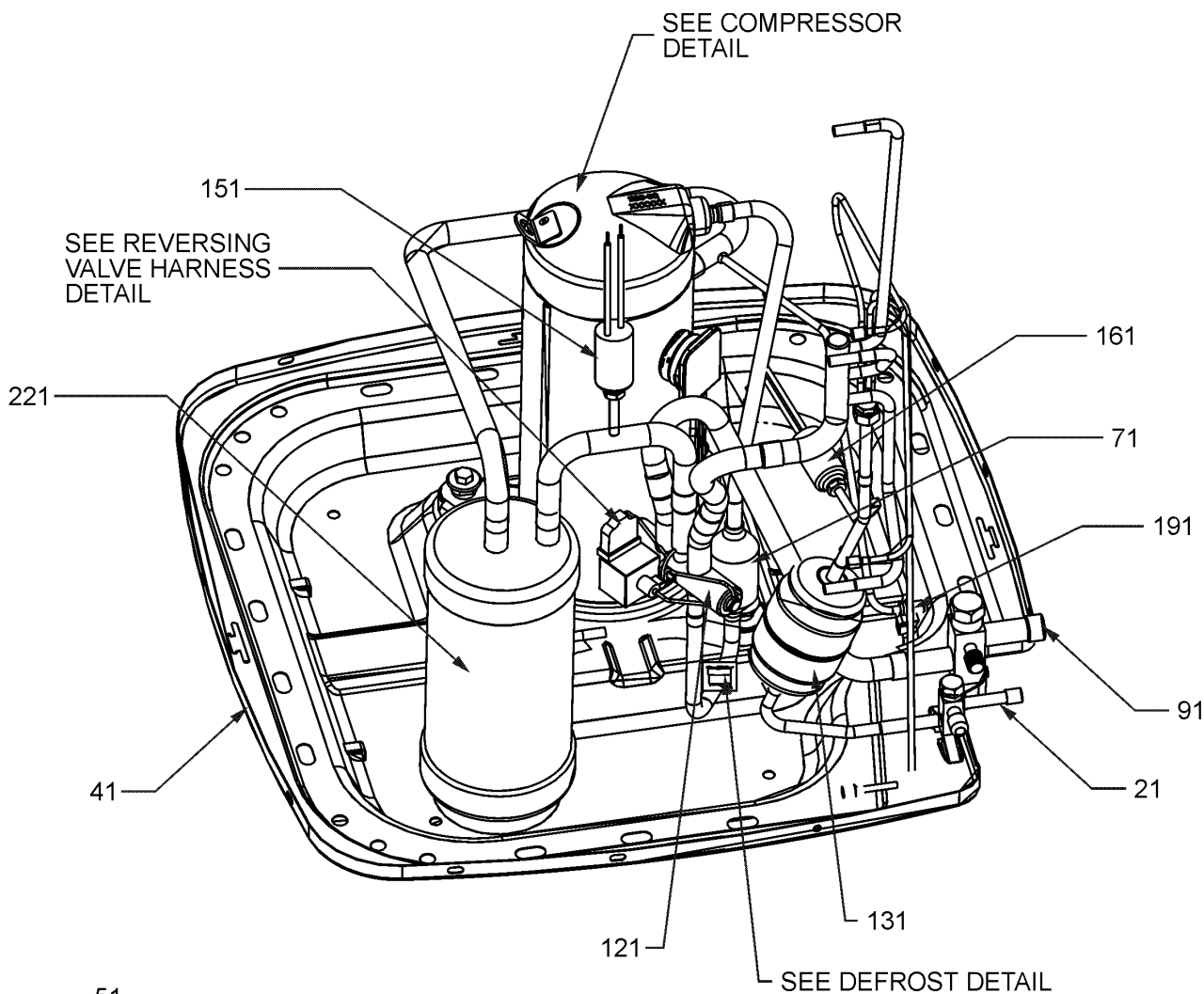
Image 1:

11	0121R00053PBB	CONTROL COVER
21	0121R00321PBB	LOWER ACCESS PANEL (M2)
21	0121R00663PBB	LOWER ACCESS PANEL (M1)
71	CONT1P025024V	CONTACTOR 25 AMP, 1P, 24V (M1)
71	CONT1P030024V	CONTACTOR 30 AMP, 1P, 24V (M2)
81	4400065	CAPACITOR STRAP
91	CAP050400440CT	CAPACITOR 5/40/440V/DUAL RD (M1)
91	CAP050700440CT	CAPACITOR 5/70/440V/DUAL RD (M2)
101	PCBDM133	DEFROST CONTROL BOARD

Expanded Model Nomenclature

M1 - VSZ130241BE
M2 - VSZ130601AD

Compressor / Tubing Assembly



Compressor / Tubing Assembly

Ref. Part No: No:	Description:	Ref. Part No: No:	Description:
-------------------	--------------	-------------------	--------------

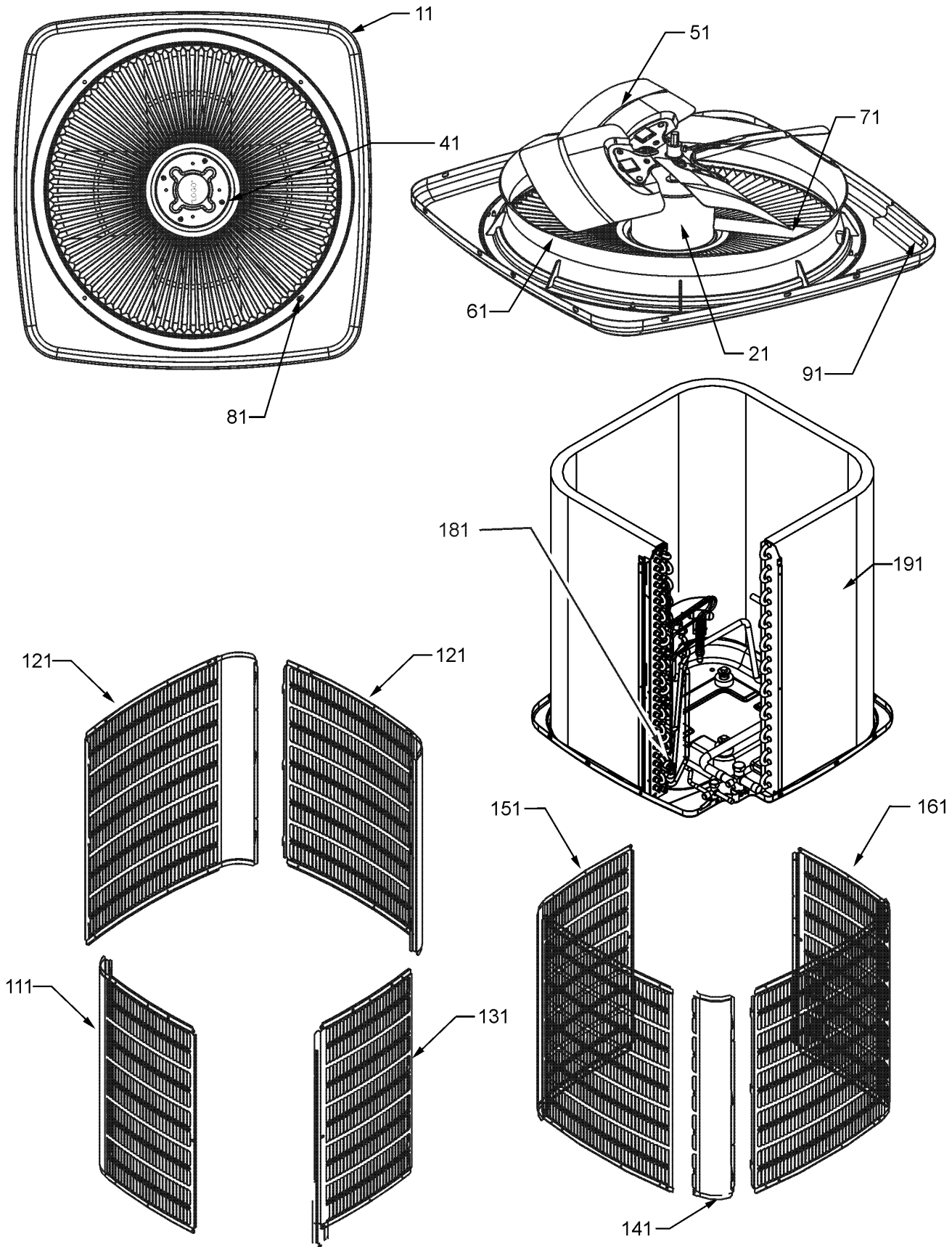
Image 1:

21	0151R00078	BASE VALVE 3/8"
31	0130M00083	SOLENOID HARNESS W/1/4" TERM
41	0121R00005	BASE PAN, 26" (M1)
41	0121R00007	BASE PAN, 35.5" (M2)
51	ZP21K5EPFV130	COMPRESSOR 21300, 208/230/60/1 (M1)
51	ZP51K5EPFV130	COMPRESSOR 51000, 208/230/60/1 (M2)
61	B1225022	SOLENOID COIL
71	B1219301	MUFFLER 1/2 X 1/2
91	0151R00079	BASE VALVE 3/4" (M1)
91	0151R00080	BASE VALVE 7/8" (M2)
111	0159R00000P	COMPRESSOR SCROLL HARNESS (M1)
111	0159R00002P	COMPRESSOR SCROLL HARNESS (M2)
121	0151M00020	REVERSING VALVE (M2)
121	0151R00067	REVERSING VALVE (M1)
131	20485201	BI-FLOW FILTER DRIER
151	0130M00088	CUT-OUT SWITCH, LOW PRESSURE
161	0130M00089	CUT-OUT SWITCH, HIGH PRESSURE
191	B1787000	VALVE CORE
211	0130M00106	DISC THERMOSTAT CRNKCS HTR SW
221	B1226206	ACCUMULATOR (M1)
221	B1226207	ACCUMULATOR .875 (M2)
251	0163R00006	HEATER, CRANKCASE 230V, 40W (M1)
251	0163R00007	HEATER, CRANKCASE 230V, 40W (M2)
271	M0221641	TF SHOULDER SCREW (QTY 4)
281	B1339533	COMPRESSOR GROMMET (QTY 4)

Expanded Model Nomenclature

M1 - VSZ130241BE
M2 - VSZ130601AD

Cabinet Top / Side Panel Assembly



Cabinet Top / Side Panel Assembly

Ref. Part No: No:	Description:	Ref. Part No: No:	Description:
-------------------	--------------	-------------------	--------------

Image 1:

11	0121R00269PBB	PANEL, TOP 35" PNT (M2)
11	0121R00008PBB	TOP PANEL 26" (M1)
21	0131M00807	MOTOR, 1/4HP,1SP,8PL,AL (M2)
21	0131M00800	MOTOR, 1/8HP, 1SP, 6PL, AL (M1)
41	0163M00006P	ACORN NUT 5/16 HEX BLACK (QTY 4)
51	0150M00013	FAN BLADE 26" CCW (M2)
51	0150M00033	FAN BLADE, 20", 3 BLADE, 24DEG (M1)
61	0161R00007P	VENTURI RING 35" (M2)
71	0161R00001P	CONDUIT (M1)
71	0161R00004P	CONDUIT (M2)
81	0163M00003P	SCREW #10 X 1/2, A, SLOT, SR, BLACK (M1)
81	0163M00004	SCREW #10X3/4", BLACK (M2)
91	0154R00006	GASKET, CONTROL PANEL
111	0121R00042PBBB	LOUVERED SIDE PANEL [LT OF CNTL PNL] (M2)
121	0121R00046PBBB	LOUVERED SIDE PANEL (M2)
131	0121R00050PBB	LOUVERED SIDE PANEL [RT OF CNTL PNL] (M2)
141	0121R00350PBB	Louver Post, PBB 28.73 (M1)
151	0121R00337PBBLS	Louver Panel, PBB 26" _28.73 (M1)
161	0121R00337PBBRS	Louver Panel, PBB 26" _28.73 (M1)
181	0130M00098	CONTROL, DEFROST (M1)
181	0130M00105	CONTROL, DEFROST (M2)
191	0201R00155S	COIL TUBING ASSY (M2)
191	0201R00317	COIL TUBING ASSY (M1)
NS	B1789857	FLOW CHECK PISTON KIT .057 (M1)
NS	B1789888	FLOW CHECK PISTON KIT .088 (M2)

Expanded Model Nomenclature

M1 - VSZ130241BE
M2 - VSZ130601AD