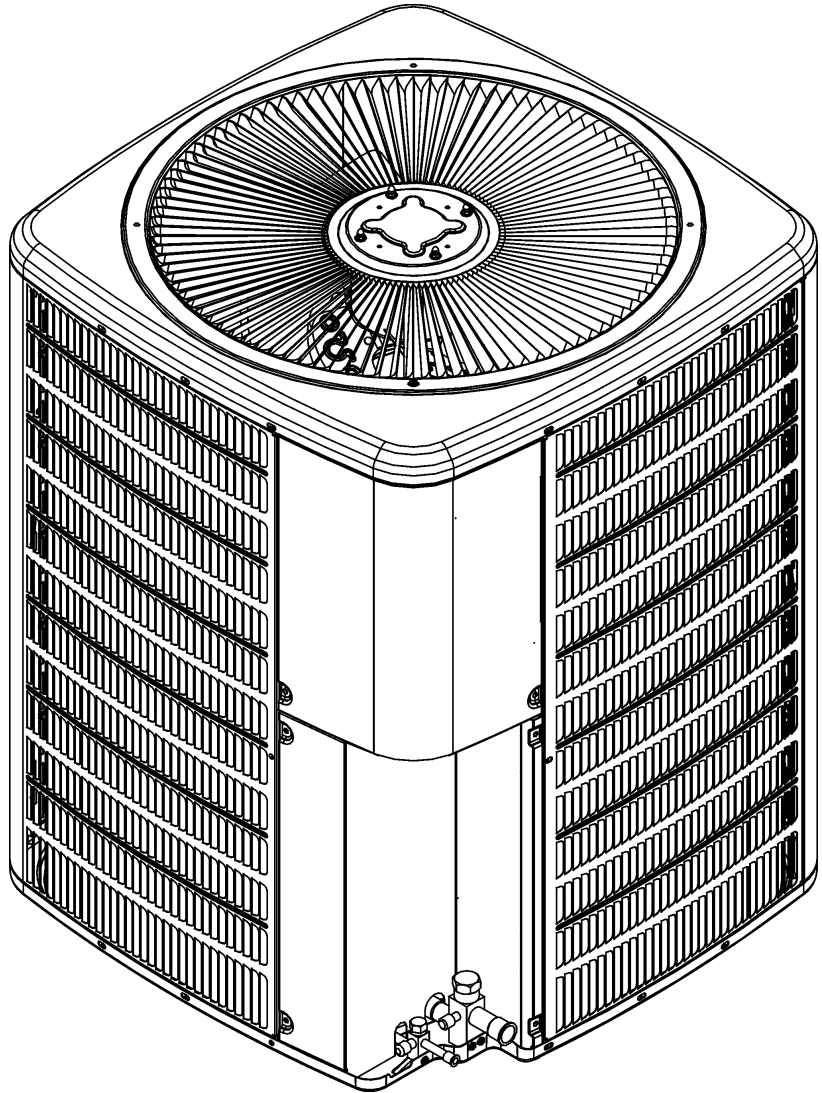


REPAIR PARTS

VSX14 Remote Condensing Unit

VSX140181BB
VSX140181BC
VSX140181BD
VSX140191AC
VSX140191AD
VSX140241BC
VSX140241BD
VSX140241BE
VSX140251BB
VSX140251BC
VSX140301BA
VSX140301BB
VSX140311AC
VSX140361AD
VSX140361AE
VSX140371AD
VSX140421AD
VSX140421AE
VSX140431AD
VSX140481AC
VSX140481AD
VSX140601AC
VSX140601AD



This manual is to be used by qualified technicians only.

This manual replaces RP-4303C.

© 2016 - 2017 Goodman Manufacturing Company, L.P. ♦ 5151 San Felipe St., Suite 500 ♦ Houston, TX 77056

Important Information

Index

Functional Parts List	3
Illustration and Parts	4 - 9

Views shown are for parts illustrations only, not servicing procedures

Text Codes:

AR - As Required

NA - Not Available

NS - Not Shown

00000000 - See Note

QTY - Quantity Example (QTY 3) (If Quantity not shown, Quantity = 1)

M - Model Example (M1) (If M Code not shown, then part is used on all Models)

Expanded Model Nomenclature:

Example M1 - Model#1 M2 - Model#2 M3 - Model#3

Goodman Manufacturing Company, L.P. is not responsible for personal injury or property damage resulting from improper service. Review all service information before beginning repairs.

Warranty service must be performed by an authorized technician, using authorized factory parts. If service is required after the warranty expires, Goodman Manufacturing Company, L.P. also recommends contacting an authorized technician and using authorized factory parts.

Goodman Manufacturing Company, L.P. reserves the right to discontinue, or change at any time, specifications or designs without notice or without incurring obligations.

For assistance within the U.S.A. contact:
Homeowner Support
Goodman Manufacturing Company, L.P.
19001 Kermier Road
Waller, Texas 77484
877-254-4729-Telephone
713-863-2382-Facsimile

For assistance outside the U.S.A. contact:
International Division
Goodman Manufacturing Company, L.P.
19001 Kermier Road
Waller, Texas 77484
713-861-2500-Telephone
713-863-2382-Facsimile

Functional Parts

Part

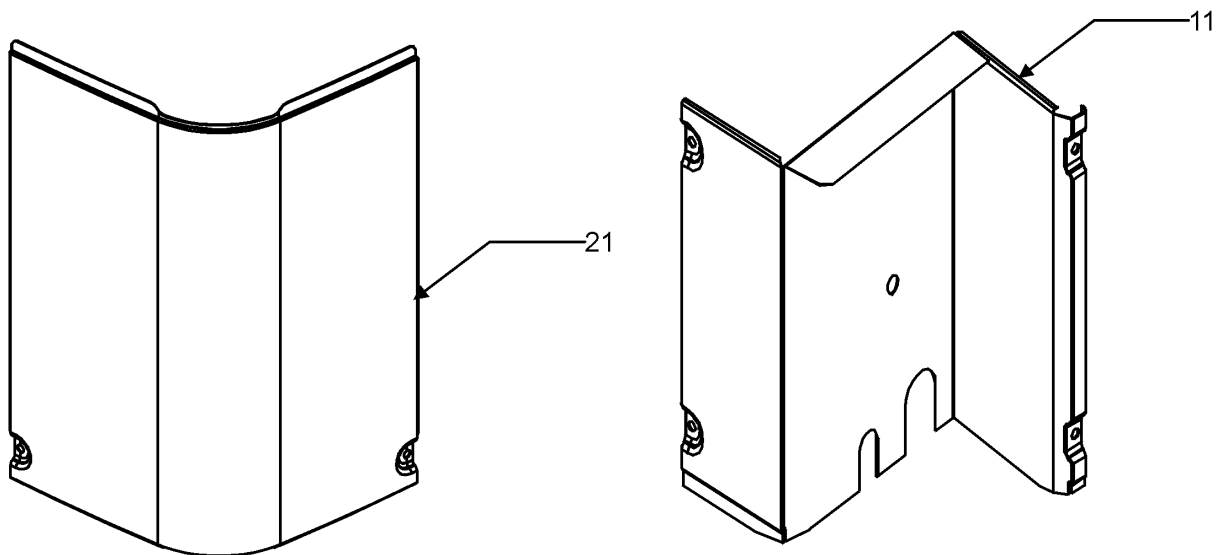
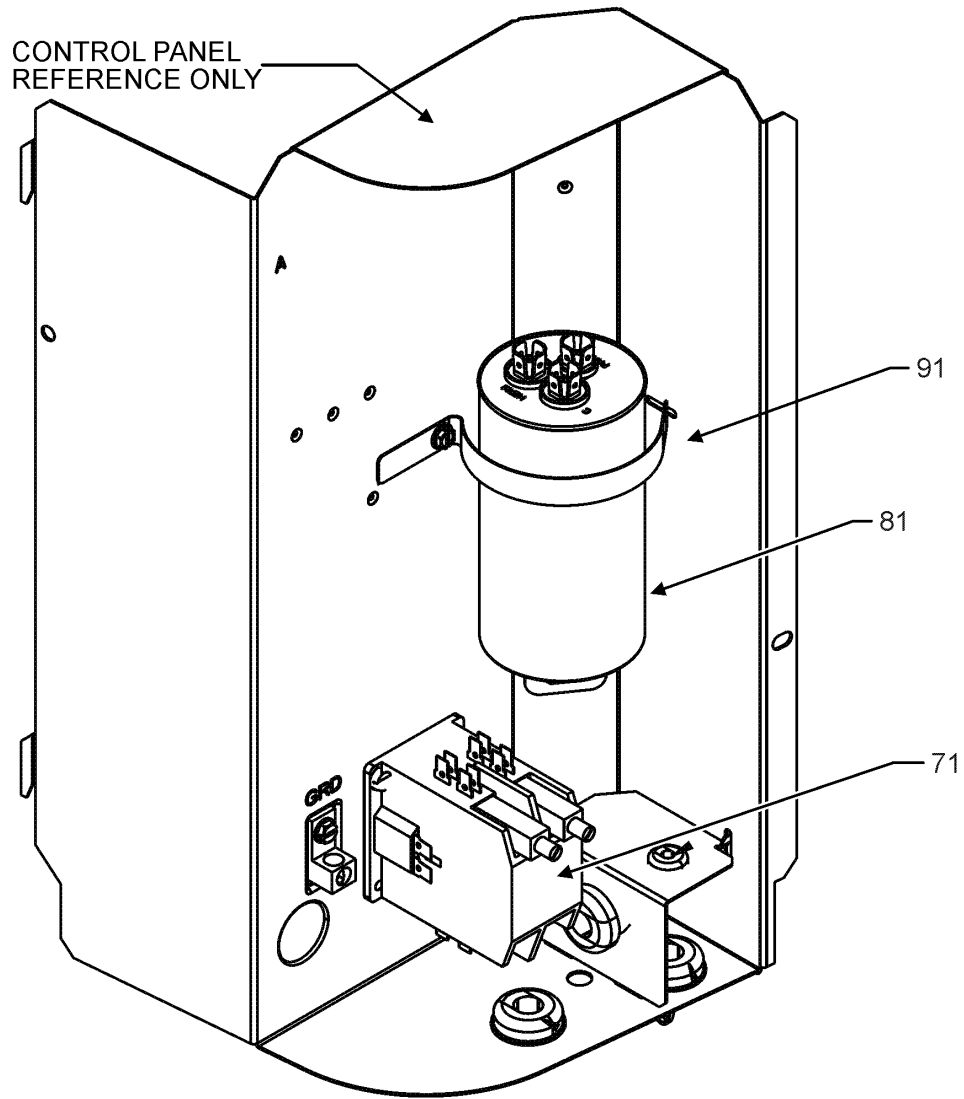
No: Description:

0131M00811	1/8 HP 8 PL PSC MOTOR (M2, M4, M6, M9)
50N492ZV-ZAKM	2.0TONRECHI COMPR.4 LEGS (M6, M7, M8)
50N6229V-ZAKM	2.5 TON RECHI COMPR. 4 LEGS (M11, M12)
0151R00079	BASE VALVE 3/4" (M1, M2, M3, M4, M5, M6, M7, M8, M9, M10, M11, M12, M13, M14, M15, M16)
0151R00078	BASE VALVE 3/8"
0151R00080	BASE VALVE 7/8" (M17, M18, M19, M20, M21, M22, M23)
CAP050500440CT	CAP, 5/50 MFD/440V/DUAL RD (M11, M12)
CAP050300440CS	CAP,5/30MFD/440V/DUAL RD (M4, M5)
CAP050350440CS	CAPACITOR 5/35/440V (M1, M2, M3, M9, M10)
CAP050400440CT	CAPACITOR 5/40/440V/DUAL RD (M13)
CAP050450440CT	CAPACITOR 5/45/440V/DUAL RD (M6, M7, M8, M14, M15, M16, M17, M18, M19, M20, M21)
CAP050700440CT	CAPACITOR 5/70/440V/DUAL RD (M22, M23)
ZP14K6EPFV130	COMP, 14,000,208/230/60/1 (M4, M5)
ZP24K6EPFV130	COMP, 24,000,208/230/60/1 (M13)
ZP29K6EPFV130	COMP, 29,000,208/230/60/1 (M16)
ZP29K5EPFV130	COMP,29000,208/230/60/1 (M14, M15)
ZP49K5EPFV130	COMP,49400,208/230/60/1 (M22, M23)
ZP20K5EPFV130	COMPRESSOR 20000, 208/230/60/1 (M9, M10)
ZP31K5EPFV130	COMPRESSOR 31100, 208/230/60/1 (M17, M18, M19)
ZP38K5EPFV130	COMPRESSOR 37500, 208/230/60/1 (M20, M21)
0131M00266	COND MOTOR 1/8 HP, 8 PL, PSC (M1, M3, M5, M7, M8, M10)
CONT1P025024V	CONTACTOR 25 AMP, 1P, 24V (M1, M2, M3, M4, M5, M6, M7, M8, M9, M10, M11, M12, M13, M14, M15, M16, M17, M18, M19)
CONT1P030024V	CONTACTOR 30 AMP, 1P, 24V (M20, M21, M22, M23)
0150M00012	FAN BLADE 20" CCW (M1, M2, M3, M4, M5, M6, M7, M8, M9, M10)
0150M00008	FAN BLADE 22" TNT2203-25 (M13, M14, M15, M16)
10625738	FAN BLADE 26" ALUM CCW (M20, M21, M22, M23)
B1086764	FAN BLADE TYPE 2 (M11, M12, M17, M18, M19)
0131M00807	MOTOR, 1/4HP,1SP,8PL,AL (M20, M21, M22, M23)
0131M00753	MOTOR, 1/6HP, 1SP, 8PL, AL (M11, M12, M13, M14, M15, M16, M17, M18, M19)
0130M00327	SW-CUTOUT HI PRESS (M1, M2, M3, M6, M7, M8, M11, M12)

Expanded Model Nomenclature

M1 - VSX140181BB
M2 - VSX140181BC
M3 - VSX140181BD
M4 - VSX140191AC
M5 - VSX140191AD
M6 - VSX140241BC
M7 - VSX140241BD
M8 - VSX140241BE
M9 - VSX140251BB
M10 - VSX140251BC
M11 - VSX140301BA
M12 - VSX140301BB
M13 - VSX140311AC
M14 - VSX140361AD
M15 - VSX140361AE
M16 - VSX140371AD
M17 - VSX140421AD
M18 - VSX140421AE
M19 - VSX140431AD
M20 - VSX140481AC
M21 - VSX140481AD
M22 - VSX140601AC
M23 - VSX140601AD

Control Box Assembly



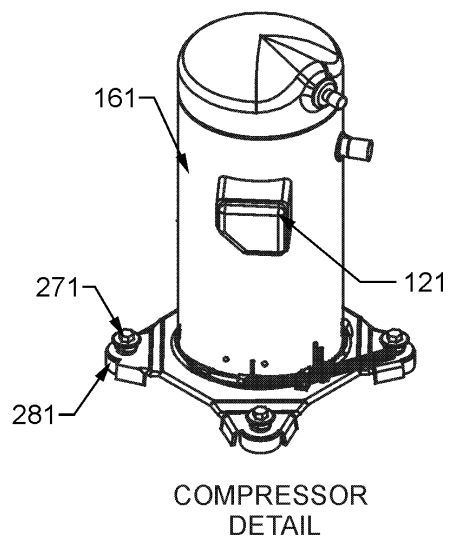
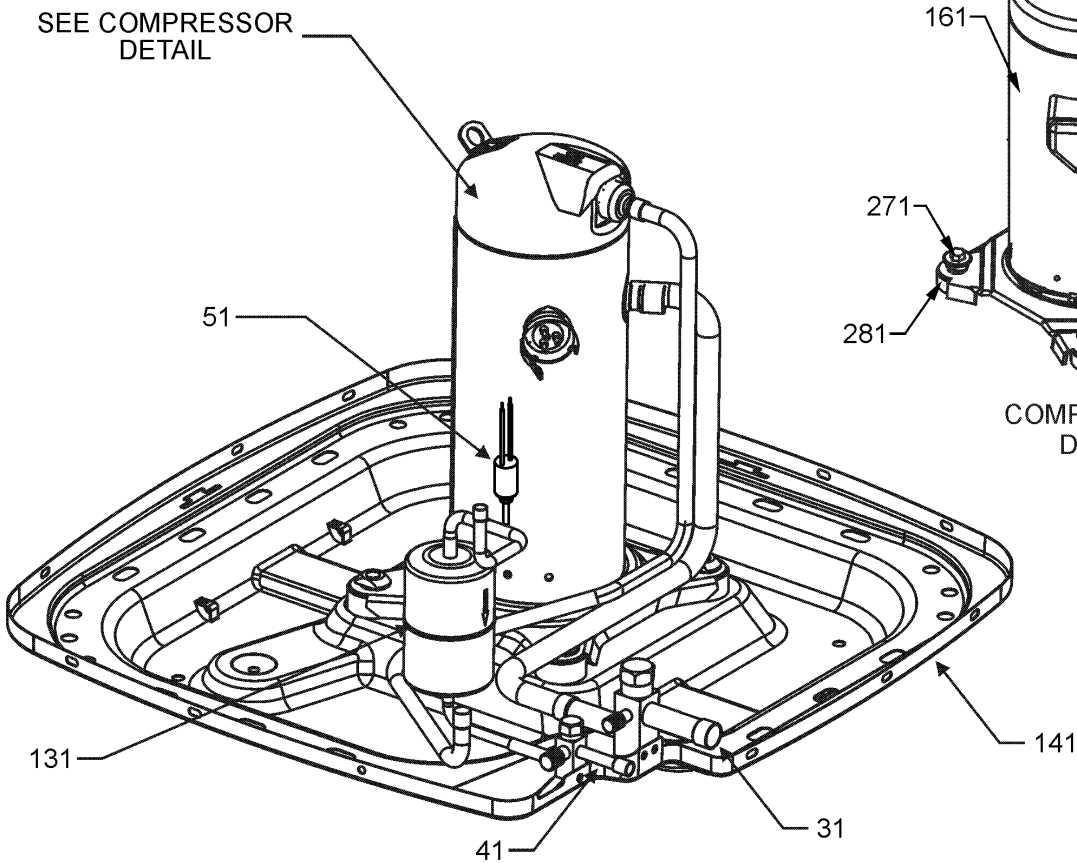
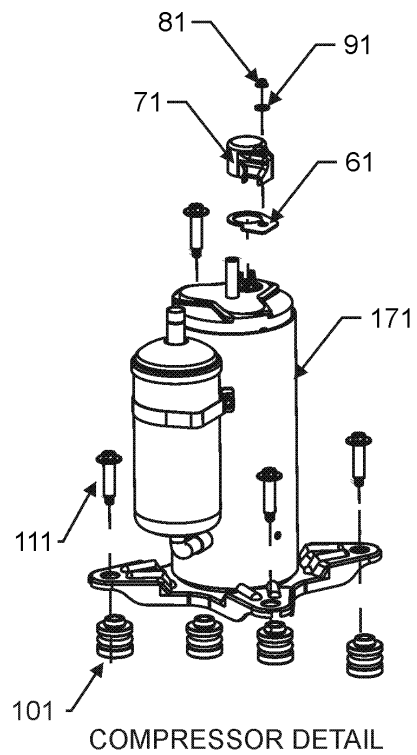
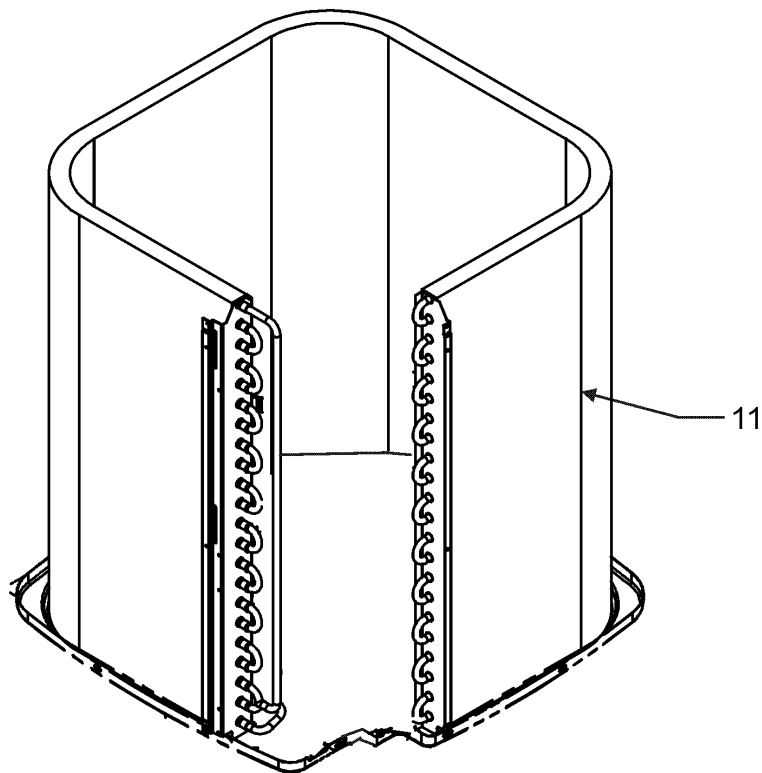
Control Box Assembly

Ref. Part No:	No:	Description:	Ref. Part No:	No:	Description:
Image 1:					
11	0121R00316PBB	PANEL, LOWER ACCESS PNT (M22, M23)			
11	0121R00319PBB	PANEL, LOWER ACCESS PNT (M17, M18, M19, M20, M21)			
11	0121R00326PBB	PANEL, LOWER ACCESS PNT (M1, M2, M3, M4, M5, M6, M7, M8)			
11	0121R00663PBB	PANEL, LOWER ACCESS PNT (M9, M10, M11, M12, M13, M14, M15, M16)			
21	0121R00053PBB	CONTROL COVER			
71	CONT1P025024V	CONTACTOR 25 AMP, 1P, 24V (M1, M2, M3, M4, M5, M6, M7, M8, M9, M10, M11, M12, M13, M14, M15, M16, M17, M18, M19)			
71	CONT1P030024V	CONTACTOR 30 AMP, 1P, 24V (M20, M21, M22, M23)			
81	CAP050500440CT	CAP, 5/50 MFD/440V/DUAL RD (M11, M12)			
81	CAP050300440CS	CAP,5/30MFD/440V/DUAL RD (M4, M5)			
81	CAP050350440CS	CAPACITOR 5/35/440V (M1, M2, M3, M9, M10)			
81	CAP050400440CT	CAPACITOR 5/40/440V/DUAL RD (M13)			
81	CAP050450440CT	CAPACITOR 5/45/440V/DUAL RD (M6, M7, M8, M14, M15, M16, M17, M18, M19, M20, M21)			
81	CAP050700440CT	CAPACITOR 5/70/440V/DUAL RD (M22, M23)			
91	4400065	CAPACITOR STRAP			

Expanded Model Nomenclature

M1 - VSX140181BB
 M2 - VSX140181BC
 M3 - VSX140181BD
 M4 - VSX140191AC
 M5 - VSX140191AD
 M6 - VSX140241BC
 M7 - VSX140241BD
 M8 - VSX140241BE
 M9 - VSX140251BB
 M10 - VSX140251BC
 M11 - VSX140301BA
 M12 - VSX140301BB
 M13 - VSX140311AC
 M14 - VSX140361AD
 M15 - VSX140361AE
 M16 - VSX140371AD
 M17 - VSX140421AD
 M18 - VSX140421AE
 M19 - VSX140431AD
 M20 - VSX140481AC
 M21 - VSX140481AD
 M22 - VSX140601AC
 M23 - VSX140601AD

Compressor and Tubing Assembly

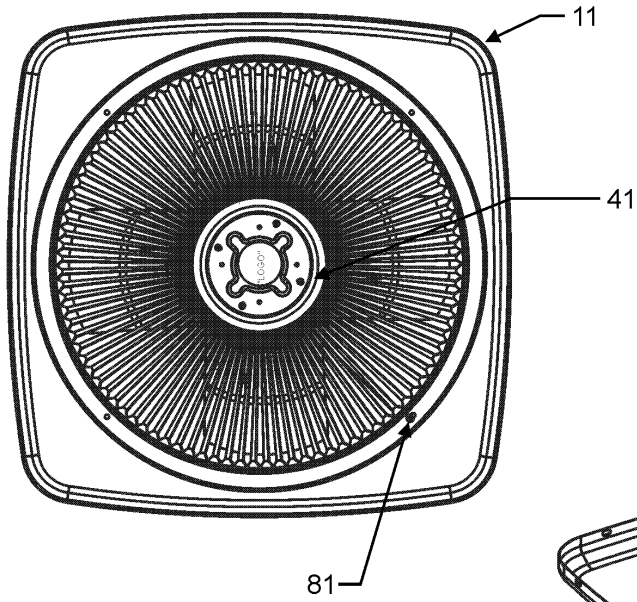


Compressor and Tubing Assembly

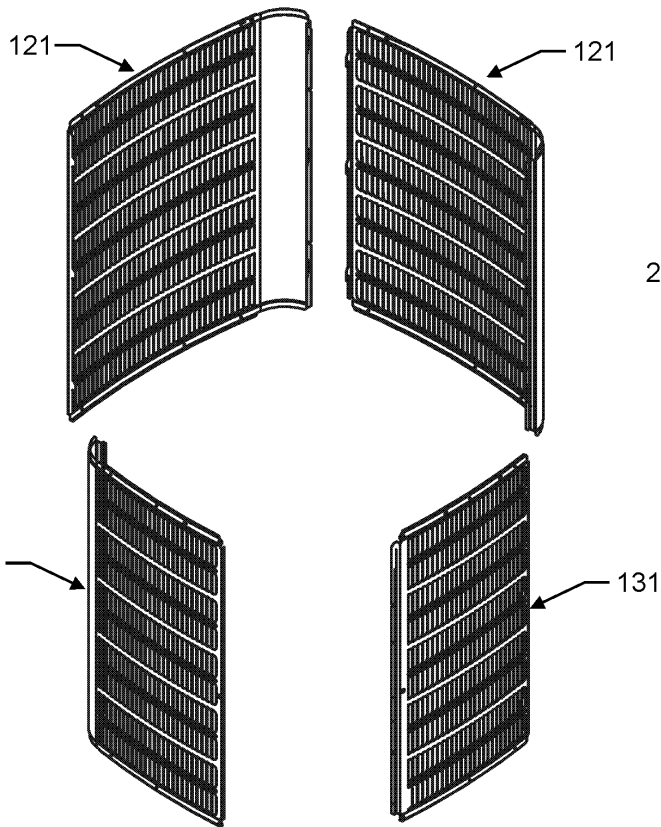
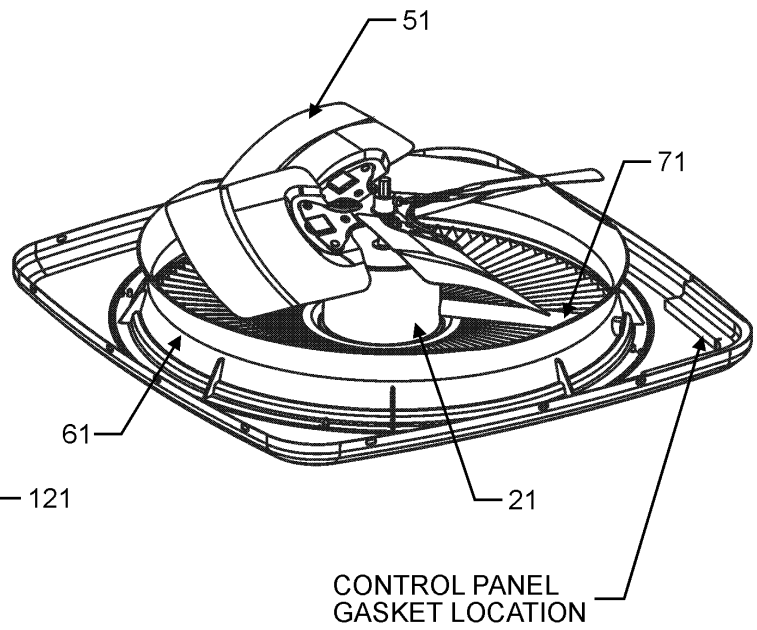
Ref. Part No: No:	Description:	Ref. Part No: No:	Description:
Image 1:		Image 1:	
11	0201R00279	NS	B1789851 FLOW CHECK PISTON KIT .051 (M1, M2, M3)
11	0201R00296	NS	B1789853 FLOW CHECK PISTON KIT .053 (M4, M5)
11	0201R00385	NS	B1789857 FLOW CHECK PISTON KIT .057 (M6, M7, M8, M9, M10)
11	0201R00433		
11	0201R00458	NS	B1789863 FLOW CHECK PISTON KIT .063 (M13)
		NS	B1789865 FLOW CHECK PISTON KIT .065 (M11, M12)
11	0201R00566	NS	B1789868 FLOW CHECK PISTON KIT .068 (M14, M15)
11	0201R00666	NS	B1789871 FLOW CHECK PISTON KIT .071 (M16)
11	0201R00230	NS	B1789874 FLOW CHECK PISTON KIT .074 (M17, M18, M19)
31	0151R00079	NS	B1789878 FLOW CHECK PISTON KIT .078 (M20, M21)
		NS	B1789888 FLOW CHECK PISTON KIT .088 (M22, M23)
31	0151R00080	Expanded Model Nomenclature	
		M1 - VSX140181BB M2 - VSX140181BC M3 - VSX140181BD M4 - VSX140191AC M5 - VSX140191AD M6 - VSX140241BC M7 - VSX140241BD M8 - VSX140241BE M9 - VSX140251BB M10 - VSX140251BC M11 - VSX140301BA M12 - VSX140301BB M13 - VSX140311AC M14 - VSX140361AD M15 - VSX140361AE M16 - VSX140371AD M17 - VSX140421AD M18 - VSX140421AE M19 - VSX140431AD M20 - VSX140481AC M21 - VSX140481AD M22 - VSX140601AC M23 - VSX140601AD	
41	0151R00078		
51	0130M00327		
61	60100107		
71	60100317		
81	60100401		
91	60100201		
101	60140209		
111	0163M00186		
121	0159R00000P		
121	0159R00001P		
121	0159R00002P		
131	0162R00009		
141	0121R00005		
141	0121R00006		
141	0121R00007		
161	ZP14K6EPFV130		
161	ZP24K6EPFV130		
161	ZP29K6EPFV130		
161	ZP29K5EPFV130		
161	ZP49K5EPFV130		
161	ZP20K5EPFV130		
161	ZP31K5EPFV130		
161	ZP38K5EPFV130		
271	M0221641		
281	B1339533		
291	50N382YV-ZAKM		
291	50N492ZV-ZAKM		
291	50N6229V-ZAKM		

Top and Louver Panel Assembly

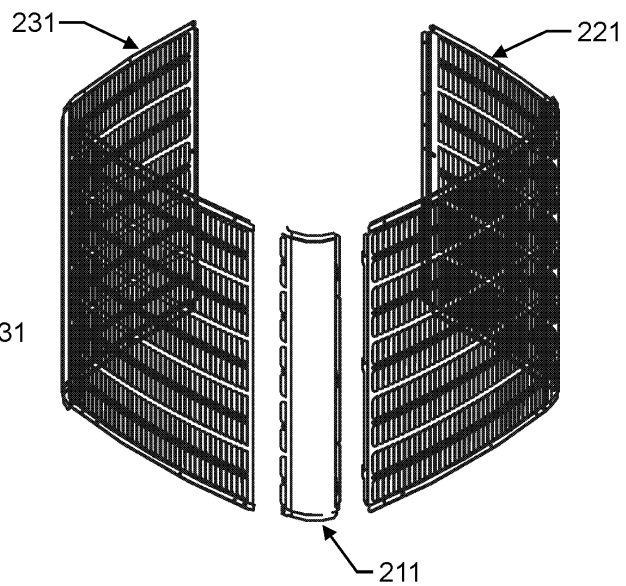
TOP VIEW



BOTTOM VIEW



LOUVER PANEL ASSEMBLY
STYLE 1



LOUVER PANEL ASSEMBLY
STYLE 2

Top and Louver Panel Assembly

Ref. Part No:	Description:	Ref. Part No:	Description:
Image 1:		Expanded Model Nomenclature	
11	0121R00269PBB	PANEL, TOP 35" PNT (M20, M21, M22, M23)	M1 - VSX140181BB
11	0121R00008PBB	TOP PANEL 26" (M1, M2, M3, M4, M5, M6, M7, M8, M9, M10)	M2 - VSX140181BC
11	0121R00010PBB	TOP PANEL 29" (M11, M12, M13, M14, M15, M16, M17, M18, M19)	M3 - VSX140181BD
21	0131M00811	1/8 HP 8 PL PSC MOTOR (M2, M4, M6, M9)	M4 - VSX140191AC
21	0131M00266	COND MOTOR 1/8 HP, 8 PL, PSC (M1, M3, M5, M7, M8, M10)	M5 - VSX140191AD
21	0131M00807	MOTOR, 1/4HP, 1SP, 8PL, AL (M20, M21, M22, M23)	M6 - VSX140241BC
21	0131M00753	MOTOR, 1/6HP, 1SP, 8PL, AL (M11, M12, M13, M14, M15, M16, M17, M18, M19)	M7 - VSX140241BD
41	0163M00006P	ACORN NUT 5/16 HEX BLACK (QTY 4)	M8 - VSX140241BE
51	0150M00012	FAN BLADE 20" CCW (M1, M2, M3, M4, M5, M6, M7, M8, M9, M10)	M9 - VSX140251BB
51	0150M00008	FAN BLADE 22" TNT2203-25 (M13, M14, M15, M16)	M10 - VSX140251BC
51	10625738	FAN BLADE 26" ALUM CCW (M20, M21, M22, M23)	M11 - VSX140301BA
51	B1086764	FAN BLADE TYPE 2 (M11, M12, M17, M18, M19)	M12 - VSX140301BB
61	0161L00000	VENTURI RING 22" (M13, M16, M17, M18, M19)	M13 - VSX140311AC
61	0161R00007P	VENTURI RING 35" (M20, M21)	M14 - VSX140361AD
71	0161R00001P	CONDUIT (M1, M2, M3, M4, M5, M6, M7, M8, M9, M10)	M15 - VSX140361AE
71	0161R00002P	CONDUIT (M13, M16, M17, M18, M19)	M16 - VSX140371AD
71	0161R00003P	CONDUIT (M11, M12, M14, M15)	M17 - VSX140421AD
71	0161R00004P	CONDUIT (M20, M21)	M18 - VSX140421AE
71	0161R00005P	CONDUIT (M22, M23)	M19 - VSX140431AD
81	0163M00003P	SCREW #10 X 1/2, A, SLOT, SR, BLACK (M1, M2, M3, M4, M5, M6, M7, M8, M9, M10, M11, M12, M13, M14, M15, M22, M23)	M20 - VSX140481AC
81	0163M00004	SCREW #10X3/4", BLACK	M21 - VSX140481AD
111	0121R00229PBBB	PANEL 1, BENT LOUVER 35 (M22, M23)	M22 - VSX140601AC
111	0121R00228PBBB	PANEL 1, BENT LOUVER 35, 5MM (M20, M21)	M23 - VSX140601AD
121	0121R00232PBBB	PANEL 2, BENT LOUVER 35 (M22, M23)	
121	0121R00231PBBB	PANEL 2, BENT LOUVER 35, 5MM (M20, M21)	
131	0121R00235PBB	PANEL 3, LOUVER 35, 37.8 (M22, M23)	
131	0121R00234PBB	PANEL 3, LOUVER 35, 5MM, PNT (M20, M21)	
211	0121R00347PBB	Louver Post, PBB 23.73 (M1, M2, M3, M4, M5, M6, M7, M8)	
211	0121R00350PBB	Louver Post, PBB 28.73 (M9, M10, M11, M12, M13, M14, M15, M16)	
211	0121R00352PBB	Louver Post, PBB 32.51 (M17, M18, M19)	
221	0121R00336PBBRS	Louver Panel, PBB 26" _23.73 (M1, M2, M3, M4, M5, M6, M7, M8)	
221	0121R00337PBBRS	Louver Panel, PBB 26" _28.73 (M9, M10)	
221	0121R00342PBBRS	Louver Panel, PBB 29" _28.73 (M11, M12, M13, M14, M15, M16)	
221	0121R00344PBBRS	Louver Panel, PBB 29" _32.51 (M17, M18, M19)	
231	0121R00336PBBL	Louver Panel, PBB 26" _23.73 (M1, M2, M3, M4, M5, M6, M7, M8)	
231	0121R00337PBBL	Louver Panel, PBB 26" _28.73 (M9, M10)	
231	0121R00342PBBL	Louver Panel, PBB 29" _28.73 (M11, M12, M13, M14, M15, M16)	
231	0121R00344PBBL	Louver Panel, PBB 29" _32.51 (M17, M18, M19)	
NS	0154R00006	GASKET, CONTROL PANEL	
NS	0163M00005P	WASHER, BLACK (.50 OD .218D) (QTY 4)	