

REPAIR PARTS

VSX14 Remote Condensing Unit

VSX140181BE
VSX140181BF
VSX140181CA
VSX140191AE
VSX140191AF
VSX140241BF
VSX140241BG
VSX140251BD
VSX140251BE
VSX140301BC
VSX140301DA
VSX140301DC
VSX140301DD
VSX140311AD
VSX140361AF
VSX140361AG
VSX140371AE
VSX140421AF
VSX140431AE
VSX140481AE
VSX140601AE



This manual is to be used by qualified technicians only.

This manual replaces RP-4319D.

© 2017, 2019 - 2022 Goodman Manufacturing Company, L.P. ♦ 5151 San Felipe St, Suite 500 ♦ Houston, TX 77056

Important Information

Index

Functional Parts List	3
Illustration and Parts	4 - 9

Views shown are for parts illustrations only, not servicing procedures.

Text Codes:

AR - As Required

NA - Not Available

NS - Not Shown

00000000 - See Note

QTY - Quantity Example (QTY 3) (If Quantity not shown, Quantity = 1)

M - Model Example (M1) (If M Code not shown, then part is used on all Models)

Expanded Model Nomenclature:

Example
M1 - Model#1
M2 - Model#2
M3 - Model#3

Goodman Manufacturing Company, L.P. is not responsible for personal injury or property damage resulting from improper service. Review all service information before beginning repairs.

Warranty service must be performed by an authorized technician, using authorized factory parts. If service is required after the warranty expires, Goodman Manufacturing Company, L.P. also recommends contacting an authorized technician and using authorized factory parts.

Goodman Manufacturing Company, L.P. reserves the right to discontinue, or change at any time, specifications or designs without notice or without incurring obligations.

For assistance within the U.S.A. contact:
Homeowner Support
Goodman Manufacturing Company, L.P.
19001 Kermier Road
Waller, Texas 77484
877-254-4729-Telephone
713-863-2382-Facsimile

For assistance outside the U.S.A. contact:
International Division
Goodman Manufacturing Company, L.P.
19001 Kermier Road
Waller, Texas 77484
713-861-2500-Telephone
713-863-2382-Facsimile

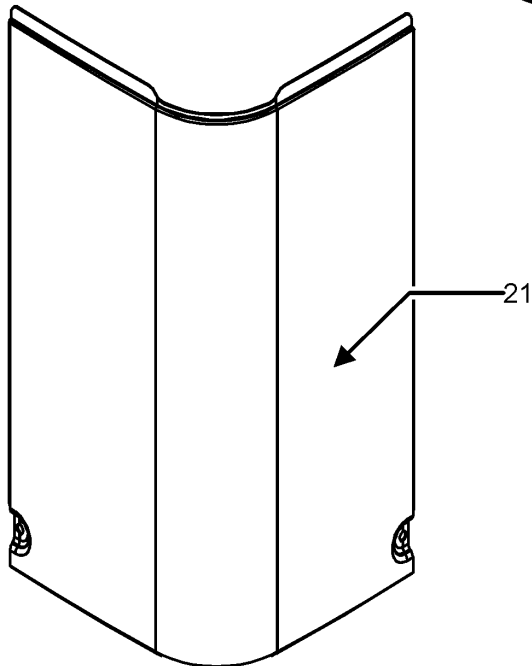
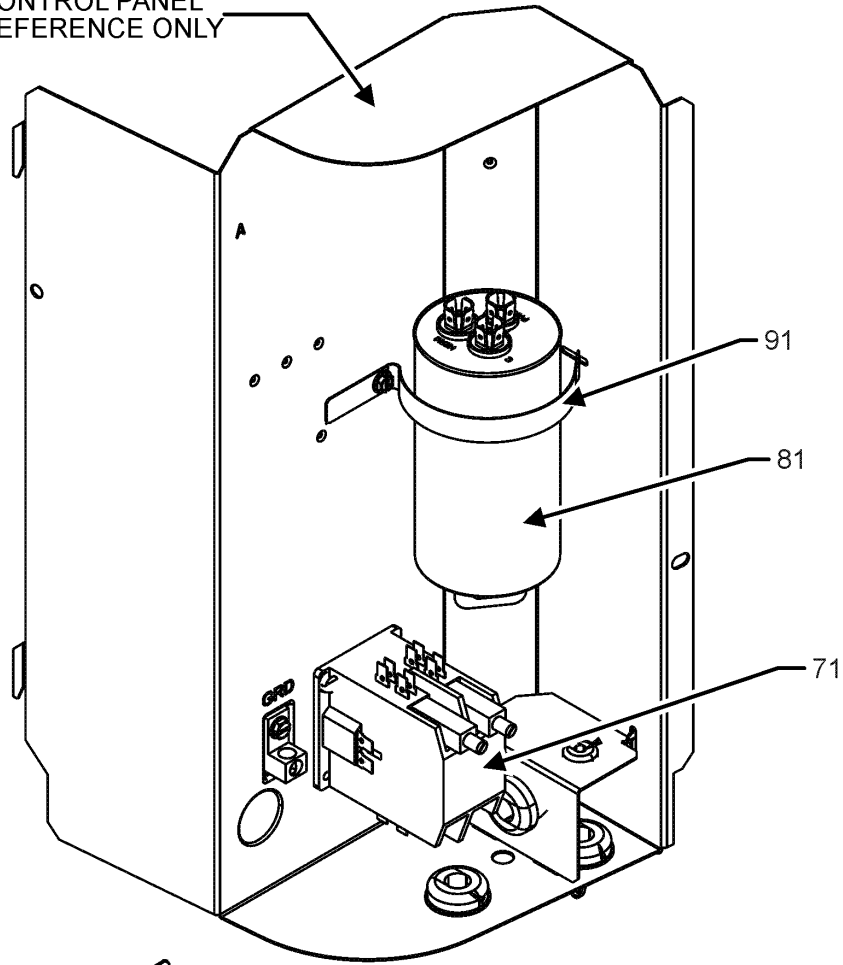
Functional Parts

Part No: **Description:**

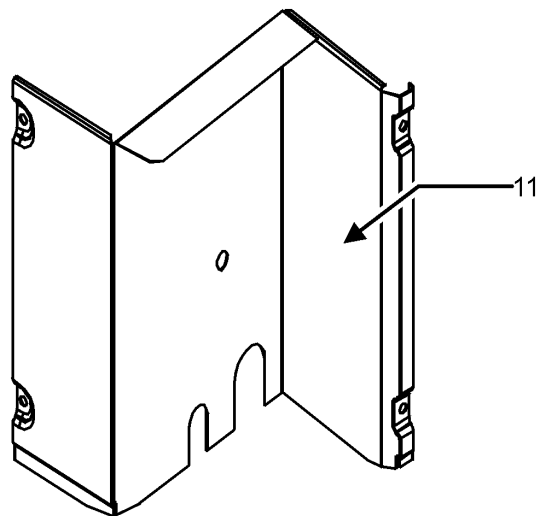
Part No:	Description:	Expanded Model Nomenclature
50N382YV-ZAKM	1.5T RECHI COMPRESSOR (4-LEGS) (M1,	M1 - VSX140181BE
0131M00266	1/8 HP 8 PL PSC MOTOR (M1, M4, M6, M8)	M2 - VSX140181BF
0131M00811	1/8 HP 8 PL PSC MOTOR (M2, M5, M7, M9)	M3 - VSX140181CA
50N492ZV-ZAKM	2.0TONRECHI COMPR.4 LEGS (M6, M7)	M4 - VSX140191AE
50N6229V-ZAKM	2.5 TON RECHI COMPR. 4 LEGS (M10)	M5 - VSX140191AF
0151R00185	BASE VALVE 3/4" (M1, M2, M3, M4, M5, M6, M7, M8, M9, M10, M11, M12, M13, M14, M15, M16, M17)	M6 - VSX140241BF
0151R00187	BASE VALVE 3/8"	M7 - VSX140241BG
0151R00186	BASE VALVE 7/8" (M18, M19, M20, M21)	M8 - VSX140251BD
0150M00012	BLADE-FAN 20" CCW (M1, M2, M4, M5, M6, M7, M8, M9)	M9 - VSX140251BE
CAP050450440CT	CAP, 5/45 MFD/440V/DUAL RD (M6, M7, M15, M16, M17, M18, M19, M20)	M10 - VSX140301BC
CAP050500440CT	CAP, 5/50 MFD/440V/DUAL RD (M10)	M11 - VSX140301DA
CAP050300440CS	CAP,5/30MFD/440V/DUAL RD (M4, M5)	M12 - VSX140301DC
CAP050350440CS	CAPACITOR 5/35/440V (M1, M2, M3, M8, M9)	M13 - VSX140301DD
CAP050400440CT	CAPACITOR 5/40/440V/DUAL RD (M11, M12, M13, M14)	M14 - VSX140311AD
CAP050700440CT	CAPACITOR 5/70/440V/DUAL RD (M21)	M15 - VSX140361AF
ZP14K6EPFV120	COMP, 20200, 208/230/60/1 (M4, M5)	M16 - VSX140361AG
ZP24K6EPFV120	COMP, 32500, 208/230/60/1 (M14)	M17 - VSX140371AE
ZP29K6EPFV120	COMP, 39700, 208/230/60/1 (M16, M17)	M18 - VSX140421AF
ZP20K5EPFV130	COMP,20000,208/230/60/1 (M8, M9)	M19 - VSX140431AE
ZP29K5EPFV130	COMP,29000,208/230/60/1 (M15)	M20 - VSX140481AE
ZP31K5EPFV130	COMP,31100,208/230/60/1 (M18, M19)	M21 - VSX140601AE
ZP38K5EPFV130	COMP,37500,208/230/60/1 (M20)	
ZP49K5EPFV130	COMP,49400,208/230/60/1 (M21)	
5VS250FAA21	COMPRESSOR, PANASONIC (M11)	
5VS250FAB21	COMPRESSOR, PANASONIC (M12)	
5VS250FAC21	COMPRESSOR, PANASONIC (M13)	
CONT1P030024V	CONTACTOR 30 AMP, 1P, 24V	
0150M00030	FAN BLADE, 18" (M3)	
0150M00008	FAN BLADE, 22" TNT2203-25 (M10, M11, M12, M13, M14, M15, M16, M17, M18, M19)	
0150M00066	FAN BLADE, 26" (M20, M21)	
0131M00807	MOTOR, 1/4HP, 1SP, 8PL, AL (M20, M21)	
0131M00753	MOTOR, 1/6HP, 1SP, 8PL, AL (M10, M11, M14, M15, M16, M17, M18, M19)	
0131M00971	MOTOR, 1/6HP, 1SP, 8PL, AL (M12, M13)	
0131M00593	MOTOR, 1/8 HP, 1SP, 6PL, AL (M3)	
0130M00089	SW-CUTOUT HI PRESS (M1, M2, M3, M6, M7, M10, M11, M12, M13)	

Control Box Assembly

CONTROL PANEL
REFERENCE ONLY



UPPER ACCESS PANEL



LOWER ACCESS PANEL

Control Box Assembly

Ref. Part No:	Ref. Part No:	Description:	Description:
---------------	---------------	--------------	--------------

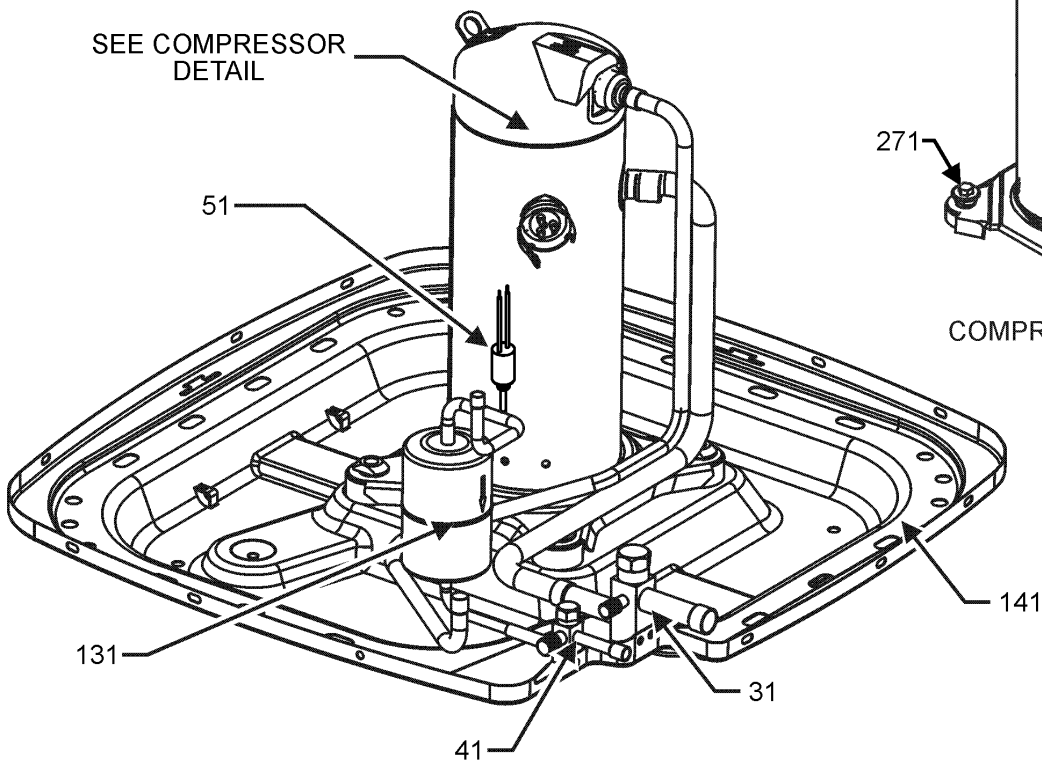
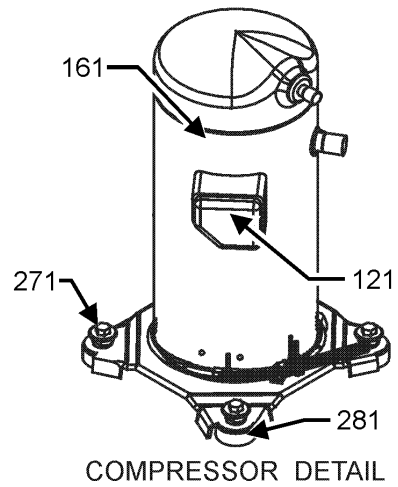
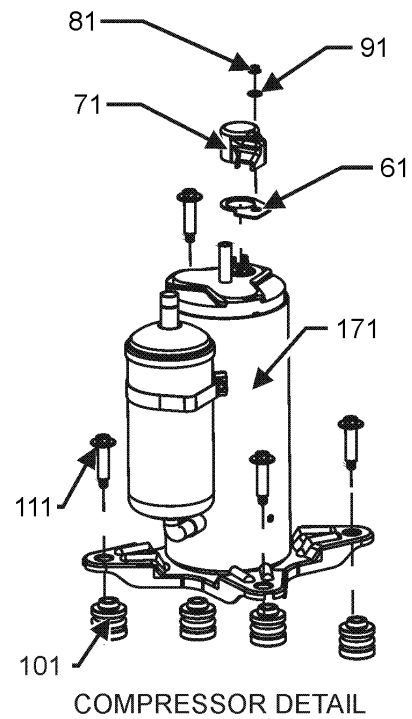
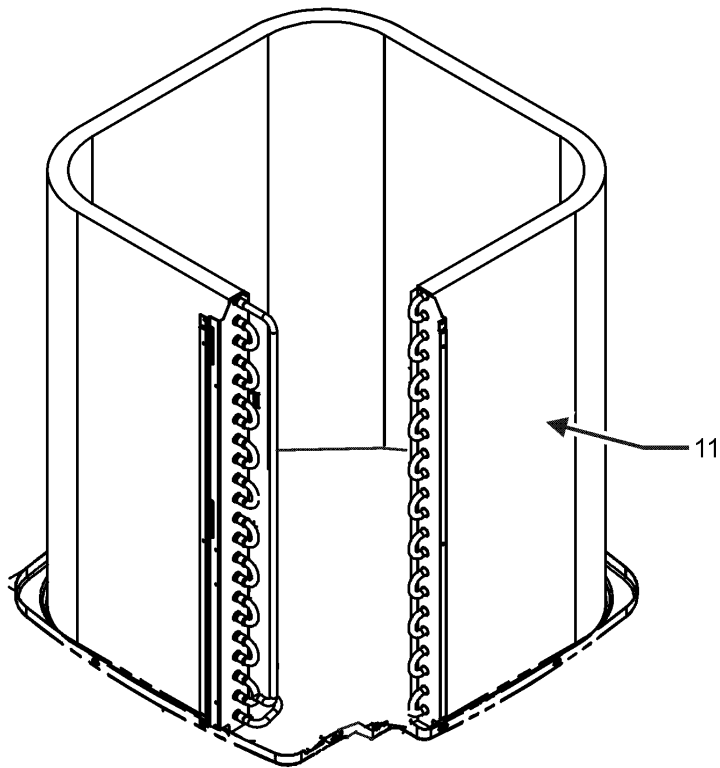
Image 1:

11	0121R00265PDB	PANEL, LOWER ACCESS 23_25.2 PNT (M3)
11	0121R00909PDB	PNL, LWR ACCESS (M21)
11	0121R00912PDB	PNL, LWR ACCESS (M18, M19, M20)
11	0121R00915PDB	PNL, LWR ACCESS (M1, M2, M4, M5, M6, M7)
11	0121R00919PDB	PNL, LWR ACCESS (M8, M9, M10, M11, M12, M13, M14, M15, M16, M17)
21	0121R00268PDB	COVER, CONTROL, PNT (M3)
21	0121R00937PDB	PNL, CONTROL COVER (M1, M2, M4, M5, M6, M7, M8, M9, M10, M11, M12, M13, M14, M15, M16, M17, M18, M19, M20, M21)
71	CONT1P030024V	CONTACTOR 30 AMP, 1P, 24V
81	CAP050450440CT	CAP, 5/45 MFD/440V/DUAL RD (M6, M7, M15, M16, M17, M18, M19, M20)
81	CAP050500440CT	CAP, 5/50 MFD/440V/DUAL RD (M10)
81	CAP050300440CS	CAP, 5/30MFD/440V/DUAL RD (M4, M5)
81	CAP050350440CS	CAPACITOR 5/35/440V (M1, M2, M3, M8, M9)
81	CAP050400440CT	CAPACITOR 5/40/440V/DUAL RD (M11, M12, M13, M14)
81	CAP050700440CT	CAPACITOR 5/70/440V/DUAL RD (M21)
91	4400065	CAPACITOR STRAP

Expanded Model Nomenclature

- M1 - VSX140181BE
- M2 - VSX140181BF
- M3 - VSX140181CA
- M4 - VSX140191AE
- M5 - VSX140191AF
- M6 - VSX140241BF
- M7 - VSX140241BG
- M8 - VSX140251BD
- M9 - VSX140251BE
- M10 - VSX140301BC
- M11 - VSX140301DA
- M12 - VSX140301DC
- M13 - VSX140301DD
- M14 - VSX140311AD
- M15 - VSX140361AF
- M16 - VSX140361AG
- M17 - VSX140371AE
- M18 - VSX140421AF
- M19 - VSX140431AE
- M20 - VSX140481AE
- M21 - VSX140601AE

Compressor and Tubing Assembly



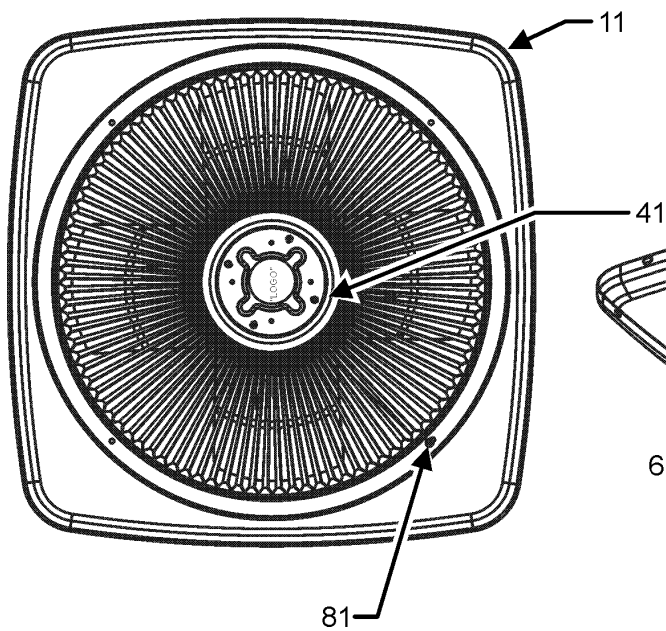
NOTE: TUBING ASSEMBLY MAY DIFFER FROM WHAT IS SHOWN

Compressor and Tubing Assembly

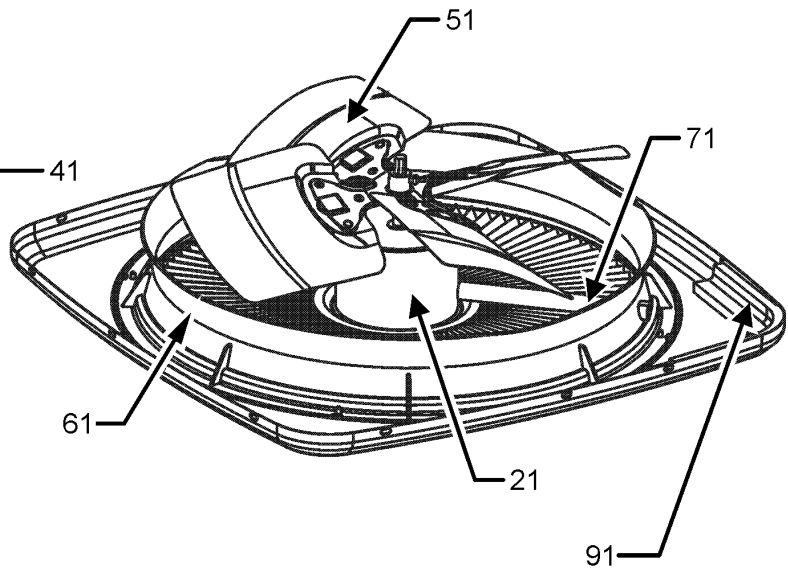
Ref. Part No: No:	Description:	Ref. Part No: No:	Description:																					
Image 1:		Image 1:																						
11	0201R00230	171	5VS250FAA21																					
	COIL TUBING ASSY (M10)		COMPRESSOR, PANASONIC (M11)																					
11	0201R00279	171	5VS250FAB21																					
	COIL TUBING ASSY (M15)		COMPRESSOR, PANASONIC (M12)																					
11	0201R00296	171	5VS250FAC21																					
	COIL TUBING ASSY (M11, M12, M13, M14, M16, M17)		COMPRESSOR, PANASONIC (M13)																					
11	0201R00385	271	M0221641																					
	COIL TUBING ASSY (M20)		TF SHOULDER SCREW (M4, M5, M8, M9, M14, M15, M16, M17, M18, M19, M20, M21)																					
11	0201R00433	281	B1339533																					
	COIL TUBING ASSY (M21)		COMPRESSOR GROMMET (M4, M5, M8, M9, M14, M15, M16, M17, M18, M19, M20, M21)																					
11	0201R00458	NS	B1789851																					
	COIL TUBING ASSY (M1, M2, M4, M5, M6, M7)		FLOW CHECK PISTON KIT (M1, M2, M3)																					
11	0201R00566	NS	B1789853																					
	COIL TUBING ASSY (M18, M19)		FLOW CHECK PISTON KIT (M4, M5)																					
11	0201R00666	NS	B1789857																					
	COIL TUBING ASSY (M8, M9)		FLOW CHECK PISTON KIT (M6, M7, M8)																					
11	0201R00683	NS	B1789863																					
	COIL TUBING ASSY (M3)		FLOW CHECK PISTON KIT (M14)																					
31	0151R00185	NS	B1789865																					
	BASE VALVE 3/4" (M1, M2, M3, M4, M5, M6, M7, M8, M9, M10, M11, M12, M13, M14, M15, M16, M17)		FLOW CHECK PISTON KIT (M10)																					
31	0151R00186	NS	B1789867																					
	BASE VALVE 7/8" (M18, M19, M20, M21)		FLOW CHECK PISTON KIT (M11, M12, M13)																					
41	0151R00187	NS	B1789868																					
	BASE VALVE 3/8"		FLOW CHECK PISTON KIT (M15, M16)																					
51	0130M00089	NS	B1789872																					
	SW-CUTOUT HI PRESS (M1, M2, M3, M6, M7, M10, M11, M12, M13)		FLOW CHECK PISTON KIT (M17)																					
61	0154M00003	NS	B1789874																					
	GASKET, TERM COVER (M11, M12, M13)		FLOW CHECK PISTON KIT (M18, M19)																					
61	60100107	NS	B1789878																					
	TERMINAL COVER GASKET (M1, M2, M3, M6, M7, M10)		FLOW CHECK PISTON KIT (M20)																					
71	0130M00028	NS	B1789888																					
	TERMINAL COVER (M11, M12, M13)		FLOW CHECK PISTON KIT (M21)																					
71	60100317	NS	B1789859																					
	TERMINAL COVER (M1, M2, M3, M6, M7, M10)		KIT, FLOW CHECK PISTON (M9)																					
81	0163M00468	Expanded Model Nomenclature																						
	TERMINAL COVER NUT (M11, M12, M13)	<table border="1"> <tr><td>M1 - VSX140181BE</td></tr> <tr><td>M2 - VSX140181BF</td></tr> <tr><td>M3 - VSX140181CA</td></tr> <tr><td>M4 - VSX140191AE</td></tr> <tr><td>M5 - VSX140191AF</td></tr> <tr><td>M6 - VSX140241BF</td></tr> <tr><td>M7 - VSX140241BG</td></tr> <tr><td>M8 - VSX140251BD</td></tr> <tr><td>M9 - VSX140251BE</td></tr> <tr><td>M10 - VSX140301BC</td></tr> <tr><td>M11 - VSX140301DA</td></tr> <tr><td>M12 - VSX140301DC</td></tr> <tr><td>M13 - VSX140301DD</td></tr> <tr><td>M14 - VSX140311AD</td></tr> <tr><td>M15 - VSX140361AF</td></tr> <tr><td>M16 - VSX140361AG</td></tr> <tr><td>M17 - VSX140371AE</td></tr> <tr><td>M18 - VSX140421AF</td></tr> <tr><td>M19 - VSX140431AE</td></tr> <tr><td>M20 - VSX140481AE</td></tr> <tr><td>M21 - VSX140601AE</td></tr> </table>		M1 - VSX140181BE	M2 - VSX140181BF	M3 - VSX140181CA	M4 - VSX140191AE	M5 - VSX140191AF	M6 - VSX140241BF	M7 - VSX140241BG	M8 - VSX140251BD	M9 - VSX140251BE	M10 - VSX140301BC	M11 - VSX140301DA	M12 - VSX140301DC	M13 - VSX140301DD	M14 - VSX140311AD	M15 - VSX140361AF	M16 - VSX140361AG	M17 - VSX140371AE	M18 - VSX140421AF	M19 - VSX140431AE	M20 - VSX140481AE	M21 - VSX140601AE
M1 - VSX140181BE																								
M2 - VSX140181BF																								
M3 - VSX140181CA																								
M4 - VSX140191AE																								
M5 - VSX140191AF																								
M6 - VSX140241BF																								
M7 - VSX140241BG																								
M8 - VSX140251BD																								
M9 - VSX140251BE																								
M10 - VSX140301BC																								
M11 - VSX140301DA																								
M12 - VSX140301DC																								
M13 - VSX140301DD																								
M14 - VSX140311AD																								
M15 - VSX140361AF																								
M16 - VSX140361AG																								
M17 - VSX140371AE																								
M18 - VSX140421AF																								
M19 - VSX140431AE																								
M20 - VSX140481AE																								
M21 - VSX140601AE																								
81	60100401		TERMINAL NUT - RECHI COMP (M1, M2, M3, M6, M7, M10)																					
91	0154M00078		TERMINAL COVER NUT GASKET (M11, M12, M13)																					
91	60100201		WASHER - RECHI COMPRESSOR (M1, M2, M3, M6, M7, M10)																					
101	60140209		GROMMET - RECHI COMPRESSOR (M1, M2, M3, M6, M7, M10)																					
101	0164M00000P		GROMMET, COMP, PANASONIC (M11, M12, M13)																					
111	0163M00186		SCREW-SHOULDER TF (M1, M2, M3, M6, M7, M10)																					
111	0163M00502		SCREW-SHOULDER TF BLUE (M11, M12, M13)																					
121	0159R00019		HARNESS, COMP SCROLL (M4, M5, M8, M9)																					
121	0159R00020		HARNESS, COMP SCROLL (M14, M15, M16, M17, M18, M19)																					
121	0159R00021		HARNESS, COMP SCROLL (M20)																					
121	0159R00002P		HARNESS, COMP SCROLL 130 46" (M21)																					
131	0162R00057		FILTER DRIER																					
141	0121R00272		BASE PAN, 23" (M3)																					
141	0121R00005		BASE PAN, 26" (M1, M2, M4, M5, M6, M7, M8, M9)																					
141	0121R00006		BASE PAN, 29" (M10, M11, M12, M13, M14, M15, M16, M17, M18, M19)																					
141	0121R00007		BASE PAN, 35.5" (M20, M21)																					
161	ZP14K6EPFV120		COMP, 20200, 208/230/60/1 (M4, M5)																					
161	ZP24K6EPFV120		COMP, 32500, 208/230/60/1 (M14)																					
161	ZP29K6EPFV120		COMP, 39700, 208/230/60/1 (M16, M17)																					
161	ZP20K5EPFV130		COMP,20000,208/230/60/1 (M8, M9)																					
161	ZP29K5EPFV130		COMP,29000,208/230/60/1 (M15)																					
161	ZP31K5EPFV130		COMP,31100,208/230/60/1 (M18, M19)																					
161	ZP38K5EPFV130		COMP,37500,208/230/60/1 (M20)																					
161	ZP49K5EPFV130		COMP,49400,208/230/60/1 (M21)																					
171	50N382YV-5AKM		1.5T RECHI COMPRESSOR (3-LEGS) (M3)																					
171	50N382YV-ZAKM		1.5T RECHI COMPRESSOR (4-LEGS) (M1, M2)																					
171	50N492ZV-ZAKM		2.0TONRECHI COMPR.4 LEGS (M6, M7)																					
171	50N6229V-ZAKM		2.5 TON RECHI COMPR. 4 LEGS (M10)																					

Top and Louver Panel Assembly

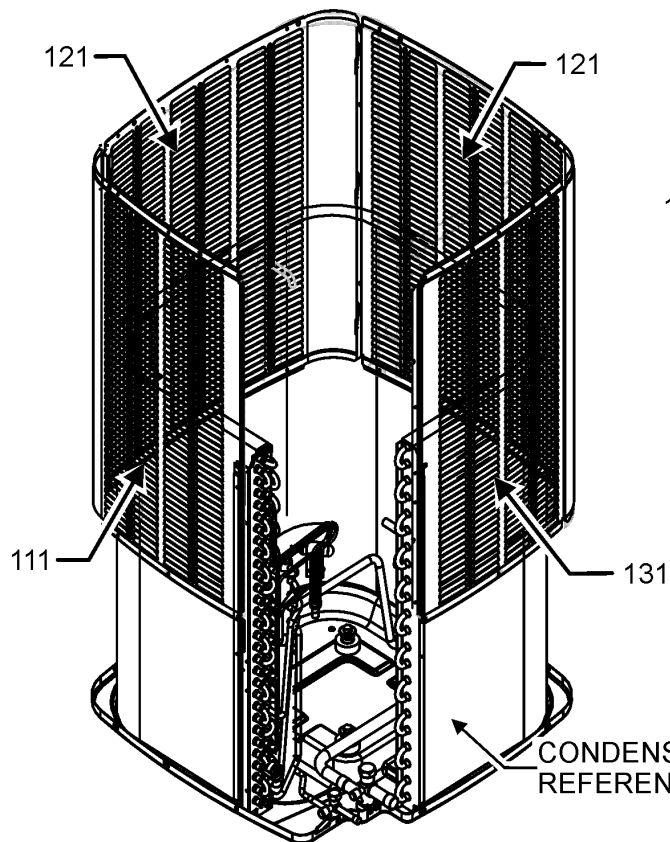
TOP PANEL ASSEMBLY
TOP VIEW



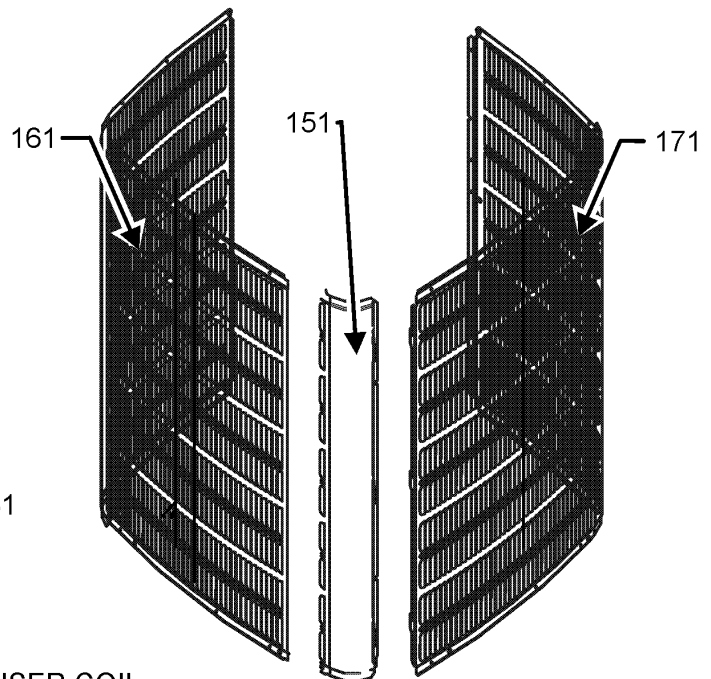
TOP PANEL ASSEMBLY
BOTTOM VIEW



LOUVER PANEL ASSEMBLY STYLE 1



LOUVER PANEL ASSEMBLY STYLE 2



Top and Louver Panel Assembly

Ref. Part No:	Ref. Part No:	Description:	Description:
Image 1:		Image 1:	
11	0121R00269PDB	PANEL, TOP 35" PNT (M20, M21)	161 0121R00274PDBLS PANEL, LOUVER 23_25.2, PNT (M3)
11	0121R00270PDB	PANEL, TOP, PNT (M3)	171 0121R00336PDBRS LOUVER PANEL, 26"_23.73 (M1, M2, M4, M5, M6, M7)
11	0121R00008PDB	TOP PANEL 26" (M1, M2, M4, M5, M6, M7, M8, M9)	171 0121R00337PDBRS LOUVER PANEL, 26"_28.73 (M8, M9)
11	0121R00010PDB	TOP PANEL 29" (M10, M11, M12, M13, M14, M15, M16, M17, M18, M19)	171 0121R00342PDBRS LOUVER PANEL, 29"_28.73 (M10, M11, M12, M13, M14, M15, M16, M17)
21	0131M00266	1/8 HP 8 PL PSC MOTOR (M1, M4, M6, M8)	171 0121R00344PDBRS LOUVER PANEL, 29"_32.51 (M18, M19)
21	0131M00811	1/8 HP 8 PL PSC MOTOR (M2, M5, M7, M9)	171 0121R00274PDBRS PANEL, LOUVER 23_25.2, PNT (M3)
21	0131M00807	MOTOR, 1/4HP, 1SP, 8PL, AL (M20, M21)	NS 0121R00297 RAIN SHIELD (M3)
21	0131M00753	MOTOR, 1/6HP, 1SP, 8PL, AL (M10, M11, M14, M15, M16, M17, M18, M19)	NS 0163M00005P WASHER, BLACK (.50 OD .218D) (M1, M2, M4, M5, M6, M7, M8, M9, M10, M11, M12, M13, M14, M15, M16, M17, M18, M19, M20, M21)
21	0131M00971	MOTOR, 1/6HP, 1SP, 8PL, AL (M12, M13)	
21	0131M00593	MOTOR, 1/8 HP, 1SP, 6PL, AL (M3)	
41	0163M00006P	ACORN NUT 5/16 HEX BLACK (QTY 4)	
51	0150M00012	BLADE-FAN 20" CCW (M1, M2, M4, M5, M6, M7, M8, M9)	
51	0150M00030	FAN BLADE, 18" (M3)	
51	0150M00008	FAN BLADE, 22" TNT2203-25 (M10, M11, M12, M13, M14, M15, M16, M17, M18, M19)	
51	0150M00066	FAN BLADE, 26" (M20, M21)	
61	0161R00048	MOLDED RING-VENTURI 22 (M15)	
61	0161R00007P	RING, VENTURI 35" (M20)	
61	0161L00000	RING-VENTURI 22 (M11, M12, M13, M14, M16, M17, M18, M19)	
71	0161R00001P	CONDUIT (M1, M2, M4, M5, M6, M7, M8, M9)	
71	0161R00002P	CONDUIT (M11, M12, M13, M14, M15, M16, M17, M18, M19)	
71	0161R00003P	CONDUIT (M10)	
71	0161R00004P	CONDUIT (M20)	
71	0161R00005P	CONDUIT (M21)	
71	0161R00032	conduit (M3)	
81	0163M00003P	SCREW,#10 X 1/2,A,SLOT,SR,BLK (M1, M2, M3, M4, M5, M6, M7, M8, M9, M10, M21)	
81	0163M00004	SCREW,#10X3/4", BLK (M11, M12, M13, M14, M15, M16, M17, M18, M19, M20)	
91	0154R00045	GASKET, CONTROL PANEL (M1, M2, M4, M5, M6, M7, M8, M9, M10, M11, M12, M13, M14, M15, M16, M17, M18, M19, M20, M21)	
111	0121R00228PDB	PANEL 1, LOUVER 35, 5MM, PNT (M20)	
111	0121R00229PDB	PANEL 1, LOUVER 35, 37.8 5MM, PNT (M21)	
121	0121R00232PDB	PANEL 2, LOUVER 35 (M21)	
121	0121R00231PDB	PANEL 2, LOUVER 35, 5MM, PNT (M20)	
131	0121R00235PDB	PANEL 3, LOUVER 35, 37.8 (M21)	
131	0121R00234PDB	PANEL 3, LOUVER 35, 5MM, PNT (M20)	
151	0121R00347PDB	Louver Post, PBB 23.73 (M1, M2, M4, M5, M6, M7)	
151	0121R00350PDB	Louver Post, PBB 28.73 (M8, M9, M10, M11, M12, M13, M14, M15, M16, M17)	
151	0121R00352PDB	Louver Post, PBB 32.51 (M18, M19)	
151	0121R00280PDB	POST, LOUVER 23_25.2, PNT (M3)	
161	0121R00336PDBLS	LOUVER PANEL, 26"_23.73 (M1, M2, M4, M5, M6, M7)	
161	0121R00337PDBLS	LOUVER PANEL, 26"_28.73 (M8, M9)	
161	0121R00342PDBLS	LOUVER PANEL, 29"_28.73 (M10, M11, M12, M13, M14, M15, M16, M17)	
161	0121R00344PDBLS	LOUVER PANEL, 29"_32.51 (M18, M19)	

Expanded Model Nomenclature

M1 - VSX140181BE
M2 - VSX140181BF
M3 - VSX140181CA
M4 - VSX140191AE
M5 - VSX140191AF
M6 - VSX140241BF
M7 - VSX140241BG
M8 - VSX140251BD
M9 - VSX140251BE
M10 - VSX140301BC
M11 - VSX140301DA
M12 - VSX140301DC
M13 - VSX140301DD
M14 - VSX140311AD
M15 - VSX140361AF
M16 - VSX140361AG
M17 - VSX140371AE
M18 - VSX140421AF
M19 - VSX140431AE
M20 - VSX140481AE
M21 - VSX140601AE