

REPAIR PARTS

VSX14 Remote Condensing Unit

VSX140191AG
VSX140241BH
VSX140251BF
VSX140301DB
VSX140311AE
VSX140361AH
VSX140371AG
VSX140421AG
VSX140431AG
VSX140481AF
VSX140601AF



This manual is to be used by qualified technicians only.

© 2021 Goodman Manufacturing Company, L.P. ♦ 5151 San Felipe St, Suite 500 ♦ Houston, TX 77056

Important Information

Index

Functional Parts List	3
Illustration and Parts	4 - 9

Views shown are for parts illustrations only, not servicing procedures.

Text Codes:

AR - As Required

NA - Not Available

NS - Not Shown

00000000 - See Note

QTY - Quantity Example (QTY 3) (If Quantity not shown, Quantity = 1)

M - Model Example (M1) (If M Code not shown, then part is used on all Models)

Expanded Model Nomenclature:

Example
M1 - Model#1
M2 - Model#2
M3 - Model#3

Goodman Manufacturing Company, L.P. is not responsible for personal injury or property damage resulting from improper service. Review all service information before beginning repairs.

Warranty service must be performed by an authorized technician, using authorized factory parts. If service is required after the warranty expires, Goodman Manufacturing Company, L.P. also recommends contacting an authorized technician and using authorized factory parts.

Goodman Manufacturing Company, L.P. reserves the right to discontinue, or change at any time, specifications or designs without notice or without incurring obligations.

For assistance within the U.S.A. contact:
Homeowner Support
Goodman Manufacturing Company, L.P.
19001 Kermier Road
Waller, Texas 77484
877-254-4729-Telephone
713-863-2382-Facsimile

For assistance outside the U.S.A. contact:
International Division
Goodman Manufacturing Company, L.P.
19001 Kermier Road
Waller, Texas 77484
713-861-2500-Telephone
713-863-2382-Facsimile

Functional Parts

Part

No: Description:

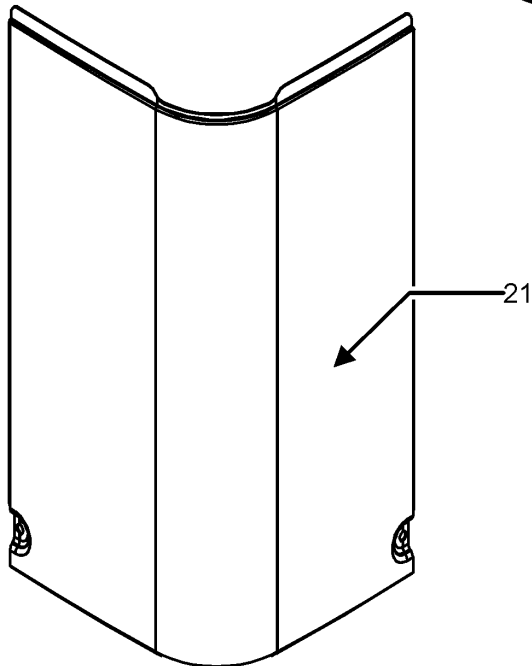
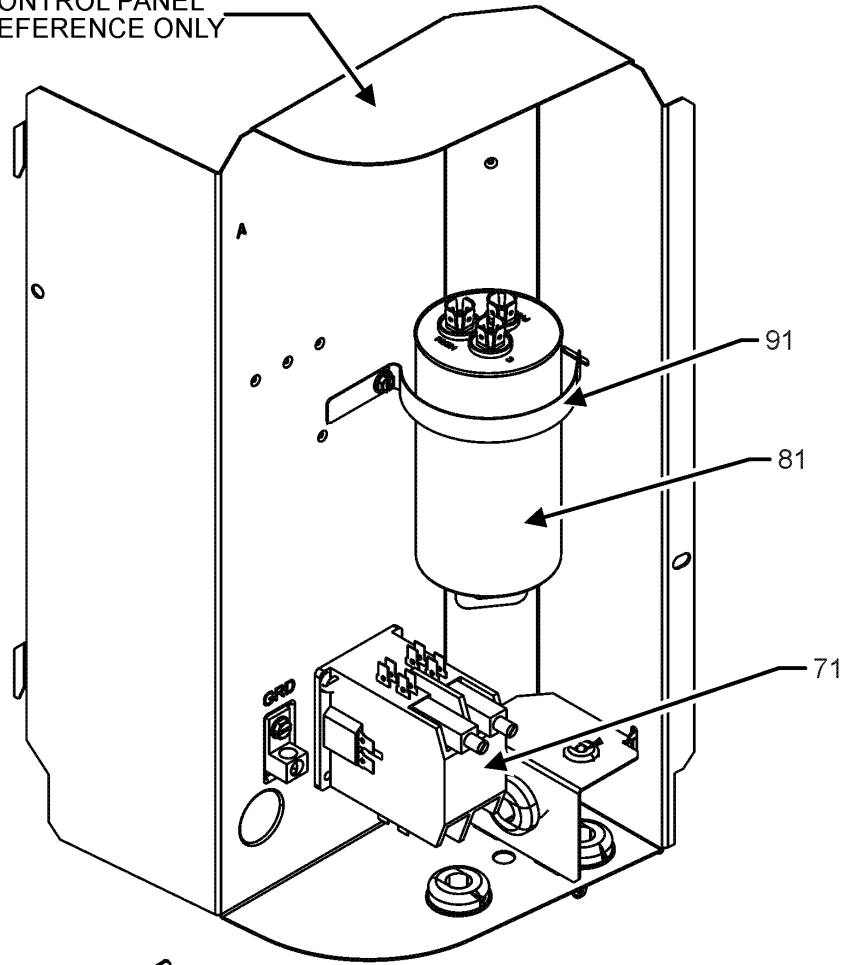
50N492ZV-ZAKM	2.0TONRECHI COMPR.4 LEGS (M2)
0151R00185	BASE VALVE 3/4" (M1, M2, M3, M4, M5, M6, M7)
0151R00187	BASE VALVE 3/8"
0151R00186	BASE VALVE 7/8" (M8, M9, M10, M11)
0150M00012	BLADE-FAN 20" CCW (M1, M2, M3)
CAP050450440CT	CAP, 5/45 MFD/440V/DUAL RD (M2, M6, M7, M8, M9, M10)
CAP050300440CS	CAP,5/30MFD/440V/DUAL RD (M1)
CAP050350440CS	CAPACITOR 5/35/440V (M3)
CAP050400440CT	CAPACITOR 5/40/440V/DUAL RD (M4, M5)
CAP050700440CT	CAPACITOR 5/70/440V/DUAL RD (M11)
ZP14K6EPFV120	COMP, 20200, 208/230/60/1 (M1)
ZP24K6EPFV120	COMP, 32500, 208/230/60/1 (M5)
ZP29K6EPFV120	COMP, 39700, 208/230/60/1 (M6, M7)
ZP20K5EPFV130	COMP,20000,208/230/60/1 (M3)
ZP31K5EPFV130	COMP,31100,208/230/60/1 (M8, M9)
ZP38K5EPFV130	COMP,37500,208/230/60/1 (M10)
ZP49K5EPFV130	COMP,49400,208/230/60/1 (M11)
5VS250FAA21	COMPRESSOR, PANASONIC (M4)
CONT1P025024V	CONTACTOR 25 AMP, 1P, 24V (M1, M2, M3, M4, M5, M6, M7, M8, M9)
CONT1P030024V	CONTACTOR 30 AMP, 1P, 24V (M10, M11)
0150M00008	FAN BLADE, 22" TNT2203-25 (M4, M5, M6, M7, M8, M9)
0150M00066	FAN BLADE, 26" (M10, M11)
0131M00968	MOTOR, 1/4HP, 1SP, 8PL, AL (M10, M11)
0131M00971	MOTOR, 1/6HP, 1SP, 8PL, AL (M4, M5, M6, M7, M8, M9)
0131M00969	MOTOR, 1/8HP, 8PL, PSC (M1, M2, M3)
0130M00089	SW-CUTOUT HI PRESS (M2, M4)

Expanded Model Nomenclature

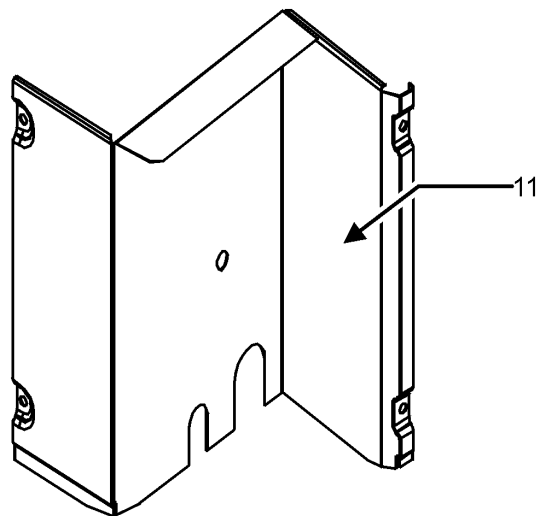
- | |
|-------------------|
| M1 - VSX140191AG |
| M2 - VSX140241BH |
| M3 - VSX140251BF |
| M4 - VSX140301DB |
| M5 - VSX140311AE |
| M6 - VSX140361AH |
| M7 - VSX140371AG |
| M8 - VSX140421AG |
| M9 - VSX140431AG |
| M10 - VSX140481AF |
| M11 - VSX140601AF |

Control Box Assembly

CONTROL PANEL
REFERENCE ONLY



UPPER ACCESS PANEL



LOWER ACCESS PANEL

Control Box Assembly

Ref. Part No:	Ref. Part No:	Description:	Description:
---------------	---------------	--------------	--------------

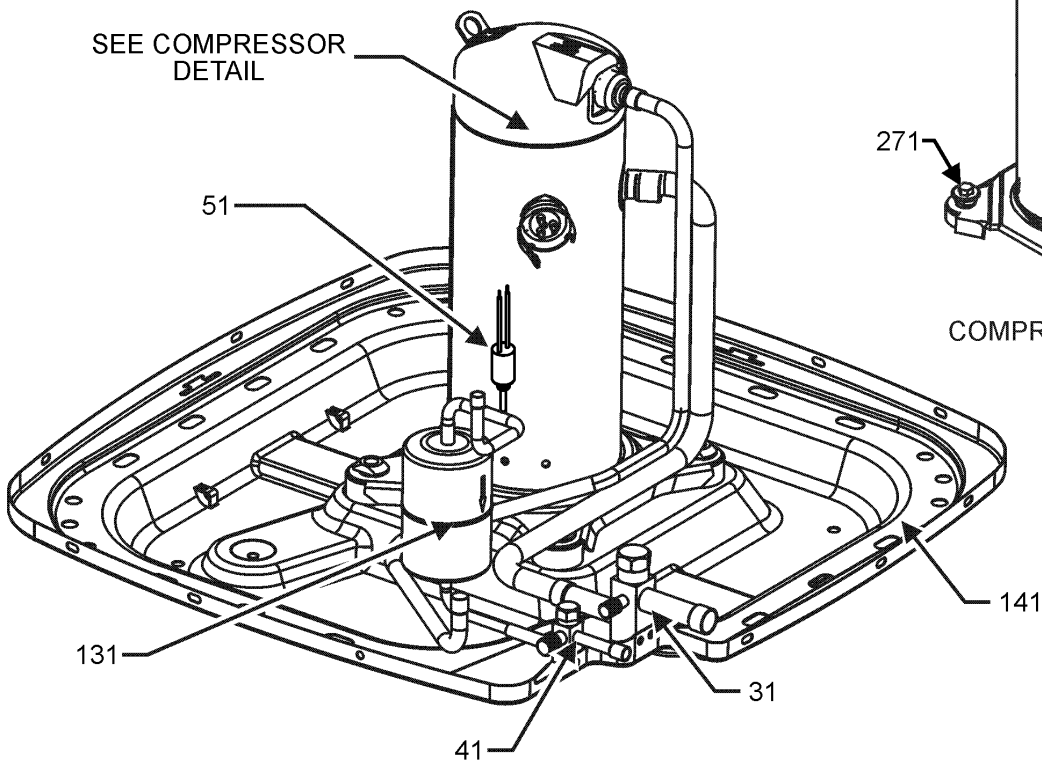
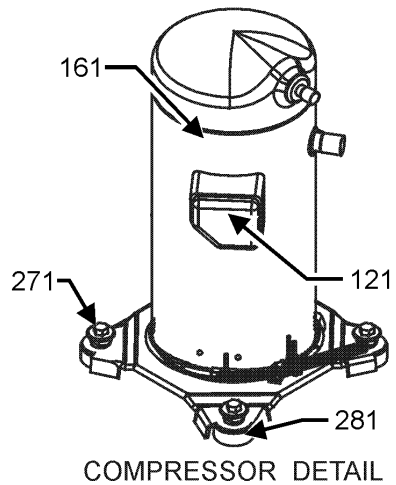
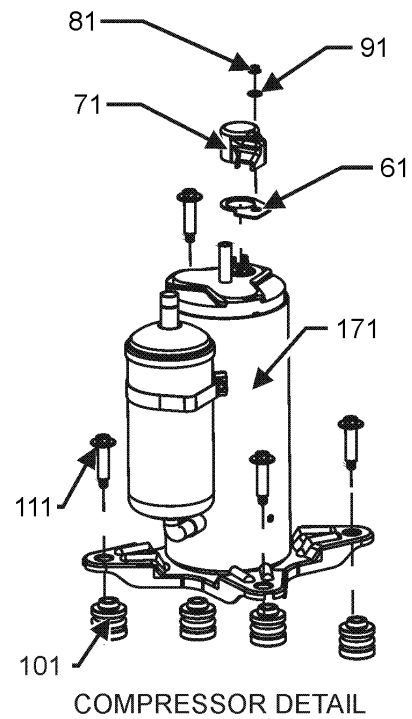
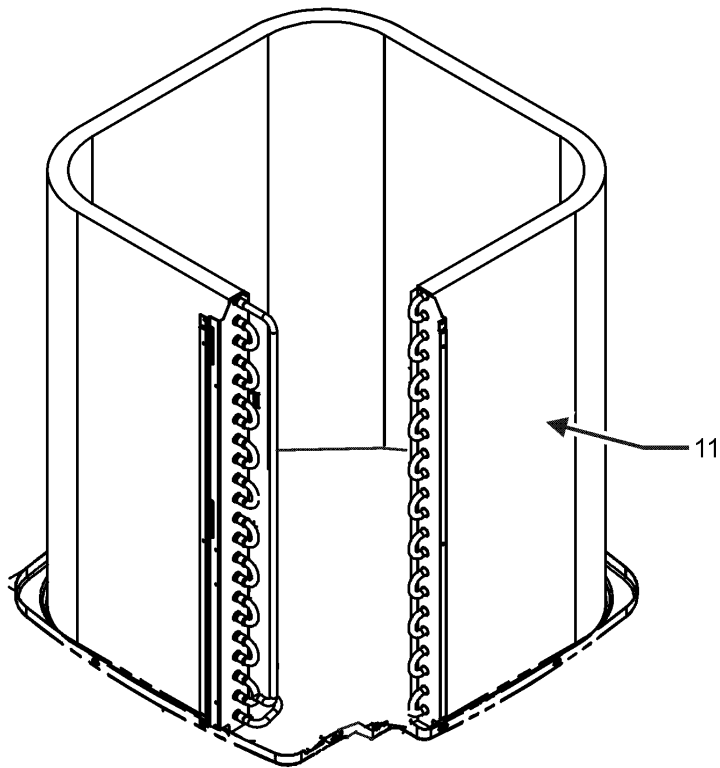
Image 1:

11	0121R00909PDB	PNL, LWR ACCESS (M11)
11	0121R00912PDB	PNL, LWR ACCESS (M8, M9, M10)
11	0121R00915PDB	PNL, LWR ACCESS (M1, M2)
11	0121R00919PDB	PNL, LWR ACCESS (M3, M4, M5, M6, M7)
21	0121R00053PDB	CONTROL COVER
71	CONT1P025024V	CONTACTOR 25 AMP, 1P, 24V (M1, M2, M3, M4, M5, M6, M7, M8, M9)
71	CONT1P030024V	CONTACTOR 30 AMP, 1P, 24V (M10, M11)
81	CAP050450440CT	CAP, 5/45 MFD/440V/DUAL RD (M2, M6, M7, M8, M9, M10)
81	CAP050300440CS	CAP,5/30MFD/440V/DUAL RD (M1)
81	CAP050350440CS	CAPACITOR 5/35/440V (M3)
81	CAP050400440CT	CAPACITOR 5/40/440V/DUAL RD (M4, M5)
81	CAP050700440CT	CAPACITOR 5/70/440V/DUAL RD (M11)
91	4400065	CAPACITOR STRAP

Expanded Model Nomenclature

M1 - VSX140191AG
M2 - VSX140241BH
M3 - VSX140251BF
M4 - VSX140301DB
M5 - VSX140311AE
M6 - VSX140361AH
M7 - VSX140371AG
M8 - VSX140421AG
M9 - VSX140431AG
M10 - VSX140481AF
M11 - VSX140601AF

Compressor and Tubing Assembly



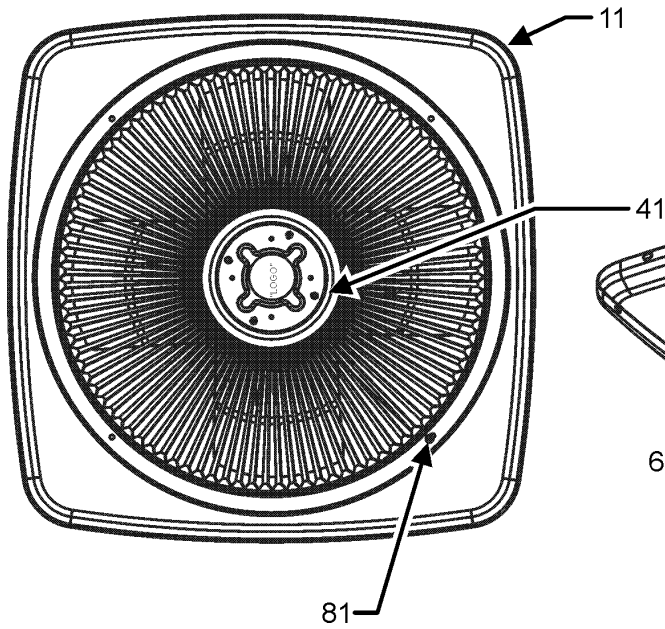
NOTE: TUBING ASSEMBLY MAY DIFFER FROM WHAT IS SHOWN

Compressor and Tubing Assembly

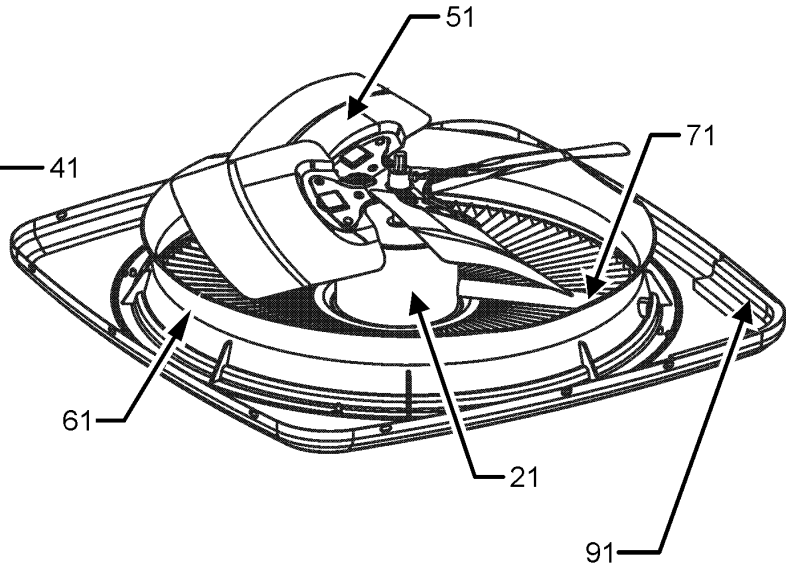
Ref. Part No:	Part No:	Description:	Ref. Part No:	Part No:	Description:
<i>Image 1:</i>			Expanded Model Nomenclature		
11	0201R00296	COIL TUBING ASSY (M4, M5, M6, M7)	M1	-	VSX140191AG
11	0201R00385	COIL TUBING ASSY (M10)	M2	-	VSX140241BH
11	0201R00433	COIL TUBING ASSY (M11)	M3	-	VSX140251BF
11	0201R00458	COIL TUBING ASSY (M1, M2)	M4	-	VSX140301DB
11	0201R00566	COIL TUBING ASSY (M8, M9)	M5	-	VSX140311AE
11	0201R00666	COIL TUBING ASSY (M3)	M6	-	VSX140361AH
31	0151R00185	BASE VALVE 3/4" (M1, M2, M3, M4, M5, M6, M7)	M7	-	VSX140371AG
31	0151R00186	BASE VALVE 7/8" (M8, M9, M10, M11)	M8	-	VSX140421AG
41	0151R00187	BASE VALVE 3/8"	M9	-	VSX140431AG
51	0130M00089	SW-CUTOUT HI PRESS (M2, M4)	M10	-	VSX140481AF
61	0154M00003	GASKET, TERM COVER (M4)	M11	-	VSX140601AF
61	60100107	TERMINAL COVER GASKET (M2)			
71	0130M00028	TERMINAL COVER (M4)			
71	60100317	TERMINAL COVER (M2)			
81	0163M00468	TERMINAL COVER NUT (M4)			
81	60100401	TERMINAL NUT - RECHI COMP (M2)			
91	0154M00078	TERMINAL COVER NUT GASKET (M4)			
91	60100201	WASHER - RECHI COMPRESSOR (M2)			
101	60140209	GROMMET - RECHI COMPRESSOR (M2)			
101	0164M00000P	GROMMET, COMP, PANASONIC (M4)			
111	0163M00505	SCREW, SHOULDER WITH SPACER (M4)			
111	0163M00186	SCREW-SHOULDER TF (M2)			
121	0159R00019	HARNESS, COMP SCROLL (M1, M3)			
121	0159R00020	HARNESS, COMP SCROLL (M5, M6, M7, M8, M9)			
121	0159R00021	HARNESS, COMP SCROLL (M10)			
121	0159R00017	HARNESS, COMP-SCROLL (M11)			
131	0162R00057	FILTER DRIER			
141	0121R00005	BASE PAN, 26" (M1, M2, M3)			
141	0121R00006	BASE PAN, 29" (M4, M5, M6, M7, M8, M9)			
141	0121R00007	BASE PAN, 35.5" (M10, M11)			
161	ZP14K6EPFV120	COMP, 20200, 208/230/60/1 (M1)			
161	ZP24K6EPFV120	COMP, 32500, 208/230/60/1 (M5)			
161	ZP29K6EPFV120	COMP, 39700, 208/230/60/1 (M6, M7)			
161	ZP20K5EPFV130	COMP,20000,208/230/60/1 (M3)			
161	ZP31K5EPFV130	COMP,31100,208/230/60/1 (M8, M9)			
161	ZP38K5EPFV130	COMP,37500,208/230/60/1 (M10)			
161	ZP49K5EPFV130	COMP,49400,208/230/60/1 (M11)			
171	50N492ZV-ZAKM	2.0TONRECHI COMPR.4 LEGS (M2)			
171	5VS250FAA21	COMPRESSOR, PANASONIC (M4)			
271	M0221641	TF SHOULDER SCREW (M1, M3, M5, M6, M7, M8, M9, M10, M11)			
281	B1339533	COMPRESSOR GROMMET (M1, M3, M5, M6, M7, M8, M9, M10, M11)			
NS	B1789853	FLOW CHECK PISTON KIT (M1)			
NS	B1789857	FLOW CHECK PISTON KIT (M2)			
NS	B1789863	FLOW CHECK PISTON KIT (M5)			
NS	B1789867	FLOW CHECK PISTON KIT (M4)			
NS	B1789868	FLOW CHECK PISTON KIT (M6)			
NS	B1789872	FLOW CHECK PISTON KIT (M7)			
NS	B1789874	FLOW CHECK PISTON KIT (M8, M9)			
NS	B1789878	FLOW CHECK PISTON KIT (M10)			
NS	B1789888	FLOW CHECK PISTON KIT (M11)			
NS	B1789859	KIT, FLOW CHECK PISTON (M3)			

Top and Louver Panel Assembly

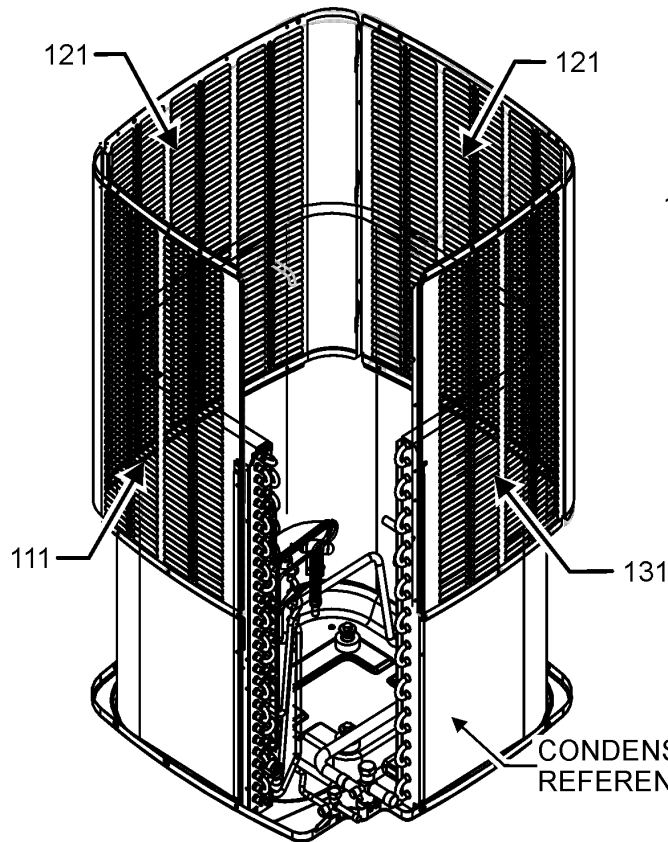
TOP PANEL ASSEMBLY
TOP VIEW



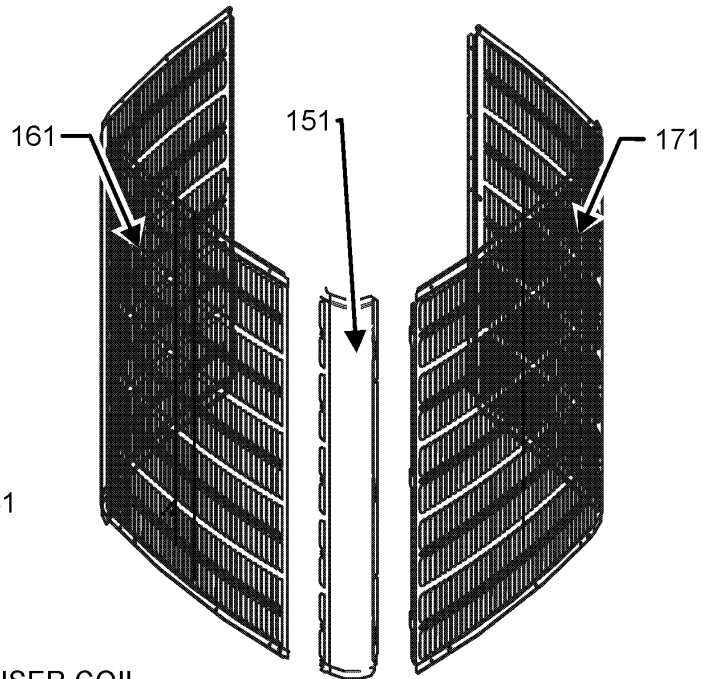
TOP PANEL ASSEMBLY
BOTTOM VIEW



LOUVER PANEL ASSEMBLY STYLE 1



LOUVER PANEL ASSEMBLY STYLE 2



Top and Louver Panel Assembly

Ref. Part No:	Ref. Part No:	Description:	Description:
---------------	---------------	--------------	--------------

Image 1:

11	0121R00269PDB	PANEL, TOP 35" PNT (M10, M11)
11	0121R00008PDB	TOP PANEL 26" (M1, M2, M3)
11	0121R00010PDB	TOP PANEL 29" (M4, M5, M6, M7, M8, M9)
21	0131M00968	MOTOR, 1/4HP, 1SP, 8PL, AL (M10, M11)
21	0131M00971	MOTOR, 1/6HP, 1SP, 8PL, AL (M4, M5, M6, M7, M8, M9)
21	0131M00969	MOTOR, 1/8HP, 8PL, PSC (M1, M2, M3)
41	0163M00006P	ACORN NUT 5/16 HEX BLACK (QTY 4)
51	0150M00012	BLADE-FAN 20" CCW (M1, M2, M3)
51	0150M00008	FAN BLADE, 22" TNT2203-25 (M4, M5, M6, M7, M8, M9)
51	0150M00066	FAN BLADE, 26" (M10, M11)
61	0161R00007P	RING, VENTURI 35" (M10)
61	0161L00000	RING-VENTURI 22 (M4, M5, M6, M7, M8, M9)
71	0161R00001P	CONDUIT (M1, M2, M3)
71	0161R00002P	CONDUIT (M4, M5, M6, M7, M8, M9)
71	0161R00004P	CONDUIT (M10)
71	0161R00005P	CONDUIT (M11)
81	0163M00003P	SCREW,#10 X 1/2,A,SLOT,SR,BLK (M1, M2, M3, M11)
81	0163M00004	SCREW,#10X3/4", BLK (M4, M5, M6, M7, M8, M9, M10)
91	0154R00006	GASKET, CONTROL PANEL
111	0121R00228PDB	PANEL 1, LOUVER 35, 5MM, PNT (M10)
111	0121R00229PDB	PANEL 1, LOUVER 35, 37.8 5MM, PNT (M11)
121	0121R00232PDB	PANEL 2, LOUVER 35 (M11)
121	0121R00231PDB	PANEL 2, LOUVER 35, 5MM, PNT (M10)
131	0121R00235PDB	PANEL 3, LOUVER 35, 37.8 (M11)
131	0121R00234PDB	PANEL 3, LOUVER 35, 5MM, PNT (M10)
151	0121R00347PDB	Louver Post, PBB 23.73 (M1, M2)
151	0121R00350PDB	Louver Post, PBB 28.73 (M3, M4, M5, M6, M7)
151	0121R00352PDB	Louver Post, PBB 32.51 (M8, M9)
161	0121R00336PDBLS	LOUVER PANEL, 26" _23.73 (M1, M2)
161	0121R00337PDBLS	LOUVER PANEL, 26" _28.73 (M3)
161	0121R00342PDBLS	LOUVER PANEL, 29" _28.73 (M4, M5, M6, M7)
161	0121R00344PDBLS	LOUVER PANEL, 29" _32.51 (M8, M9)
171	0121R00336PDBRS	LOUVER PANEL, 26" _23.73 (M1, M2)
171	0121R00337PDBRS	LOUVER PANEL, 26" _28.73 (M3)
171	0121R00342PDBRS	LOUVER PANEL, 29" _28.73 (M4, M5, M6, M7)
171	0121R00344PDBRS	LOUVER PANEL, 29" _32.51 (M8, M9)
NS	0163M00005P	WASHER, BLACK (.50 OD .218D) (QTY 4)

Expanded Model Nomenclature

- M1 - VSX140191AG
- M2 - VSX140241BH
- M3 - VSX140251BF
- M4 - VSX140301DB
- M5 - VSX140311AE
- M6 - VSX140361AH
- M7 - VSX140371AG
- M8 - VSX140421AG
- M9 - VSX140431AG
- M10 - VSX140481AF
- M11 - VSX140601AF