

REPAIR PARTS

VSX13 Remote Condensing Unit

VSX130181EL
VSX130241EG
VSX130241FA
VSX130301LB
VSX130301LC
VSX130301LD
VSX130361EH
VSX130361EK
VSX130421AJ
VSX130421AK
VSX130421AL
VSX130421AM
VSX130421AN
VSX130481AJ
VSX130481AK
VSX130601BH
VSX130601BJ
VSX130611AE



This manual is to be used by qualified technicians only.

This manual replaces RP-4318D.

© 2017 - 2021 Goodman Manufacturing Company, L.P. ♦ 5151 San Felipe St, Suite 500 ♦ Houston, TX 77056

Important Information

Index

Functional Parts List	3
Illustration and Parts	4 - 9

Views shown are for parts illustrations only, not servicing procedures.

Text Codes:

AR - As Required

NA - Not Available

NS - Not Shown

00000000 - See Note

QTY - Quantity Example (QTY 3) (If Quantity not shown, Quantity = 1)

M - Model Example (M1) (If M Code not shown, then part is used on all Models)

Expanded Model Nomenclature:

Example
M1 - Model#1
M2 - Model#2
M3 - Model#3

Goodman Manufacturing Company, L.P. is not responsible for personal injury or property damage resulting from improper service. Review all service information before beginning repairs.

Warranty service must be performed by an authorized technician, using authorized factory parts. If service is required after the warranty expires, Goodman Manufacturing Company, L.P. also recommends contacting an authorized technician and using authorized factory parts.

Goodman Manufacturing Company, L.P. reserves the right to discontinue, or change at any time, specifications or designs without notice or without incurring obligations.

For assistance within the U.S.A. contact:
Homeowner Support
Goodman Manufacturing Company, L.P.
19001 Kermier Road
Waller, Texas 77484
877-254-4729-Telephone
713-863-2382-Facsimile

For assistance outside the U.S.A. contact:
International Division
Goodman Manufacturing Company, L.P.
19001 Kermier Road
Waller, Texas 77484
713-861-2500-Telephone
713-863-2382-Facsimile

Functional Parts

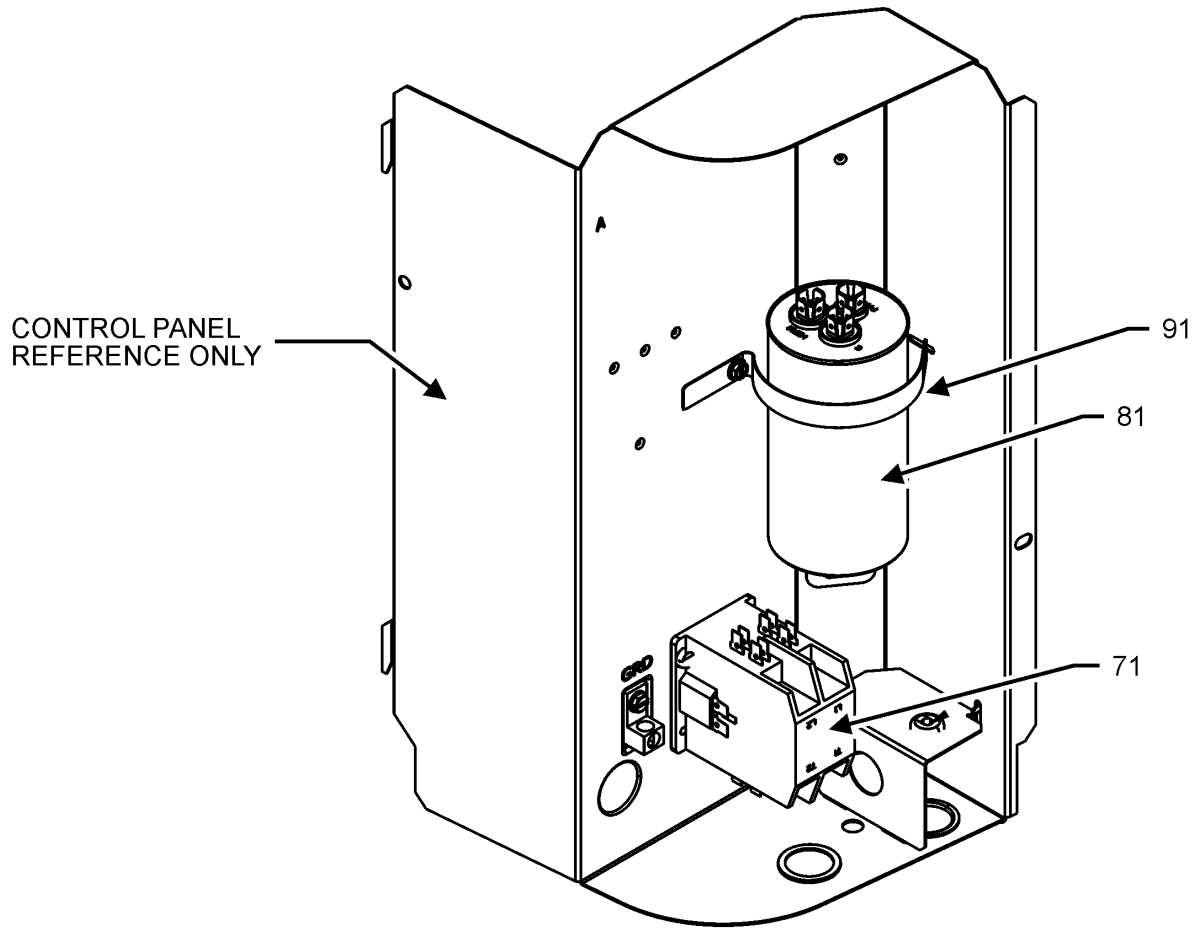
Part No: **Description:**

50N382YV-5AKM	1.5T RECHI COMPRESSOR (3-LEGS) (M1)
0131M00266	1/8 HP 8 PL PSC MOTOR (M4)
0131M00811	1/8 HP 8 PL PSC MOTOR (M5)
50N492ZV-5AKM	2.0 TON RECHI COMPRESSOR (M3)
50N492ZV-ZAKM	2.0TONRECHI COMPR.4 LEGS (M2)
50N6229V-ZAKM	2.5 TON RECHI COMPR. 4 LEGS (M4, M5, M6)
0151R00185	BASE VALVE 3/4" (M1, M2, M3, M4, M5, M6, M7, M8)
0151R00187	BASE VALVE 3/8"
0151R00186	BASE VALVE 7/8" (M9, M10, M11, M12, M13, M14, M15, M16, M17, M18)
CAP050350440CS	CAP, 5/35 MFD/440V/DUAL RD (M1)
CAP050450440CT	CAP, 5/45 MFD/440V/DUAL RD (M2, M3, M7, M8, M9, M10, M11, M12, M13, M14, M15)
CAP050500440CT	CAP, 5/50 MFD/440V/DUAL RD (M4, M5, M6)
CAP050700440CT	CAPACITOR 5/70/440V/DUAL RD (M16, M17, M18)
ZP29K5EPFV130	COMP,29000,208/230/60/1 (M7, M8)
ZP49K5EPFV130	COMP,49400,208/230/60/1 (M16, M17)
ZP34K5EPFV130	COMPRESSOR 34500, 208/230/60/1 (M9, M10, M11, M12, M13)
ZP39K5EPFV130	COMPRESSOR 39000, 208/230/60/1 (M14, M15)
ZP51K5EPFV130	COMPRESSOR 51000, 208/230/60/1 (M18)
CONT1P025024V	CONTACTOR 25 AMP, 1P, 24V (M1, M2, M3, M4, M5, M6, M7, M8, M9, M10, M11, M12, M13)
CONT1P030024V	CONTACTOR 30 AMP, 1P, 24V (M14, M15, M16, M17, M18)
0130M00089	CUT-OUT SWITCH, HIGH PRESSURE (M1, M2, M3, M4, M5, M6)
0131M00018P	MOTOR, 1/4HP, 1SP, 6PL (M9, M11)
0131M00813	MOTOR, 1/4HP, 1SP, 6PL (M7, M10, M12, M14, M16)
0131M00807	MOTOR, 1/4HP,1SP,8PL,AL (M18)
0131M00593	MOTOR, 1/8 HP, ISP, 6PL, AL (M1, M3)
0131M00800	MOTOR, 1/8HP, 1SP, 6PL, AL (M2)
0131M00969	MOTOR, 1/8HP, 8PL, PSC (M6)
0131M00954	MOTOR, OD, PSC, 1/4HP (M8, M13, M15, M17)

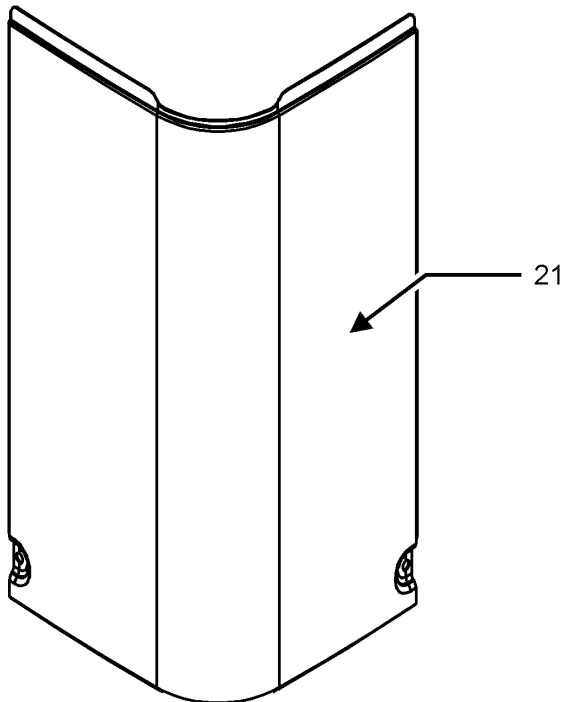
Expanded Model Nomenclature

M1 - VSX130181EL
M2 - VSX130241EG
M3 - VSX130241FA
M4 - VSX130301LB
M5 - VSX130301LC
M6 - VSX130301LD
M7 - VSX130361EH
M8 - VSX130361EK
M9 - VSX130421AJ
M10 - VSX130421AK
M11 - VSX130421AL
M12 - VSX130421AM
M13 - VSX130421AN
M14 - VSX130481AJ
M15 - VSX130481AK
M16 - VSX130601BH
M17 - VSX130601BJ
M18 - VSX130611AE

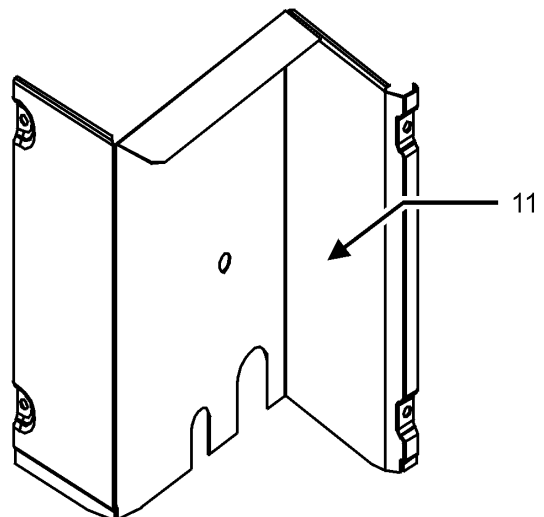
Control Box Assembly



COVER



ACCESS PANEL



Control Box Assembly

Ref. Part No:	Part No:	Description:	Ref. Part No:	Part No:	Description:
---------------	----------	--------------	---------------	----------	--------------

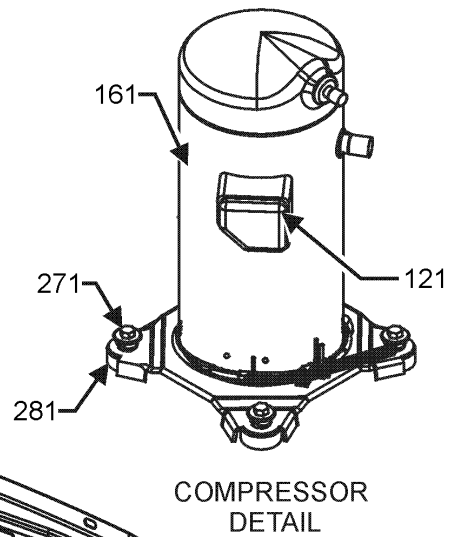
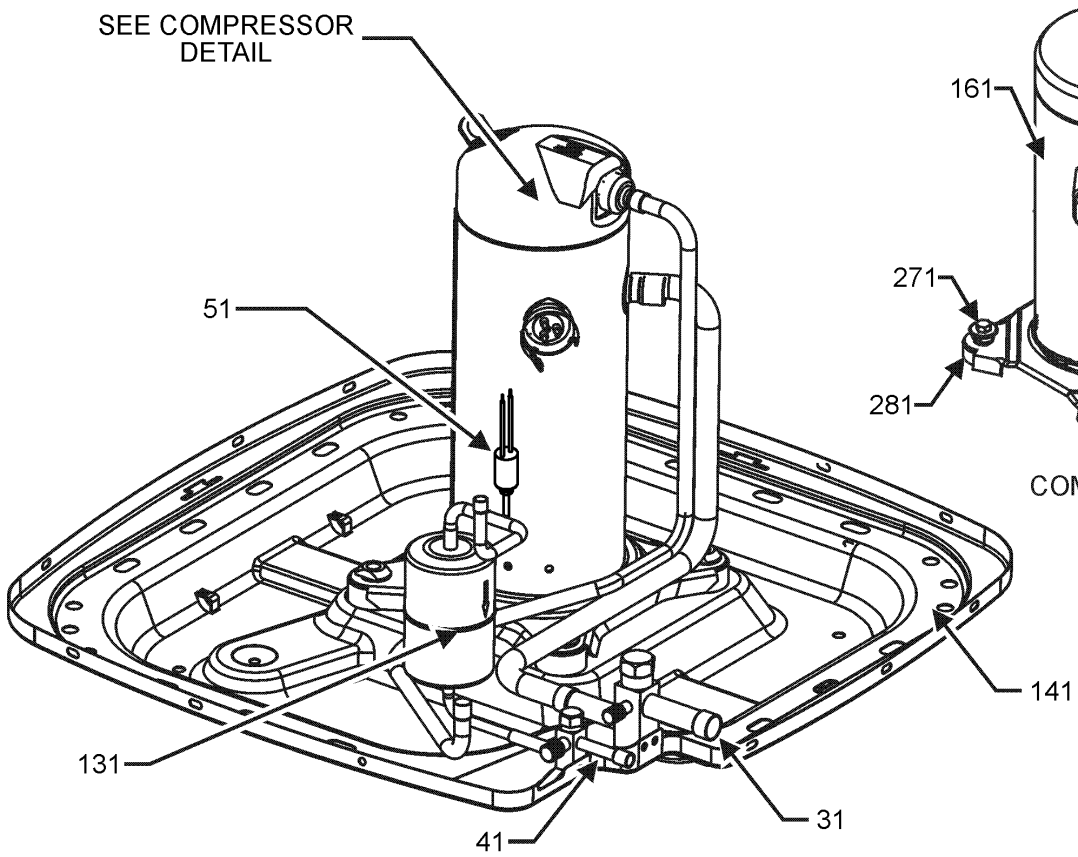
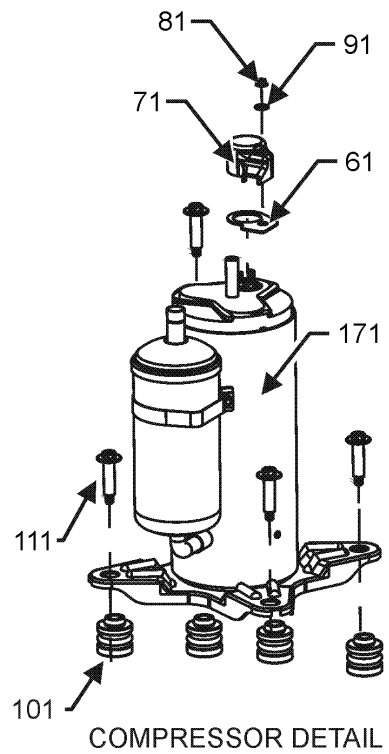
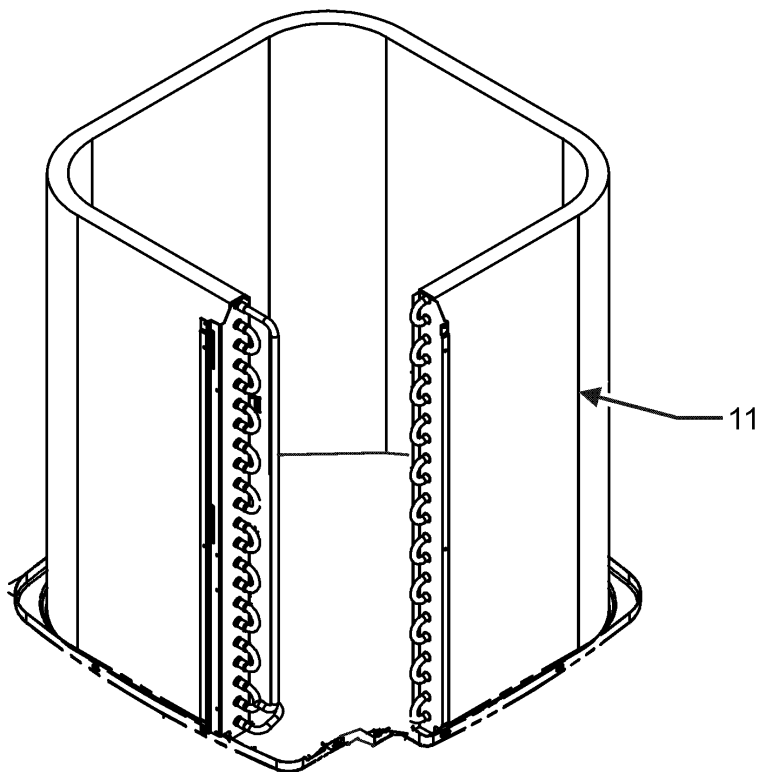
Image 1:

11	0121R00265PDB	PANEL, LOWER ACCESS 23_25.2 PNT (M1, M3)
11	0121R00909PDB	PNL, LWR ACCESS (M16, M17)
11	0121R00912PDB	PNL, LWR ACCESS (M9, M10, M11, M12, M13, M14, M15, M18)
11	0121R00915PDB	PNL, LWR ACCESS (M2, M7, M8)
11	0121R00919PDB	PNL, LWR ACCESS (M4, M5, M6)
21	0121R00053PDB	CONTROL COVER (M2, M4, M5, M6, M7, M8, M9, M10, M11, M12, M13, M14, M15, M16, M17, M18)
21	0121R00268PDB	CONTROL COVER (M1, M3)
71	CONT1P025024V	CONTACTOR 25 AMP, 1P, 24V (M1, M2, M3, M4, M5, M6, M7, M8, M9, M10, M11, M12, M13)
71	CONT1P030024V	CONTACTOR 30 AMP, 1P, 24V (M14, M15, M16, M17, M18)
81	CAP050350440CS	CAP, 5/35 MFD/440V/DUAL RD (M1)
81	CAP050450440CT	CAP, 5/45 MFD/440V/DUAL RD (M2, M3, M7, M8, M9, M10, M11, M12, M13, M14, M15)
81	CAP050500440CT	CAP, 5/50 MFD/440V/DUAL RD (M4, M5, M6)
81	CAP050700440CT	CAPACITOR 5/70/440V/DUAL RD (M16, M17, M18)
91	4400065	CAPACITOR STRAP

Expanded Model Nomenclature

M1 - VSX130181EL
M2 - VSX130241EG
M3 - VSX130241FA
M4 - VSX130301LB
M5 - VSX130301LC
M6 - VSX130301LD
M7 - VSX130361EH
M8 - VSX130361EK
M9 - VSX130421AJ
M10 - VSX130421AK
M11 - VSX130421AL
M12 - VSX130421AM
M13 - VSX130421AN
M14 - VSX130481AJ
M15 - VSX130481AK
M16 - VSX130601BH
M17 - VSX130601BJ
M18 - VSX130611AE

Compressor and Tubing Assembly



NOTE: TUBING ASSEMBLY MAY DIFFER FROM WHAT IS SHOWN

Compressor and Tubing Assembly

Ref. Part No:	Ref. Part No:	Description:	Description:
Image 1:		Image 1:	
11	0201R00349	COIL TUBING ASSY (M16, M17)	NS B1789876 FLOW CHECK PISTON KIT (M9, M10, M11, M12, M13)
11	0201R00385	COIL TUBING ASSY (M18)	NS B1789880 FLOW CHECK PISTON KIT (M14, M15)
11	0201R00458	COIL TUBING ASSY (M7, M8)	NS B1789886 FLOW CHECK PISTON KIT (M16, M17, M18)
11	0201R00472	COIL TUBING ASSY (M9, M10, M11, M12, M13, M14, M15)	
11	0201R00510	COIL TUBING ASSY (M2)	
11	0201R00666	COIL TUBING ASSY (M4, M5, M6)	
11	0201R00683	COIL TUBING ASSY (M1, M3)	
31	0151R00185	BASE VALVE 3/4" (M1, M2, M3, M4, M5, M6, M7, M8)	
31	0151R00186	BASE VALVE 7/8" (M9, M10, M11, M12, M13, M14, M15, M16, M17, M18)	
41	0151R00187	BASE VALVE 3/8"	
51	0130M00089	CUT-OUT SWITCH, HIGH PRESSURE (M1, M2, M3, M4, M5, M6)	
61	60100107	TERMINAL COVER GASKET (M1, M2, M3, M4, M5, M6)	
71	60100317	TERMINAL COVER (M1, M2, M3, M4, M5, M6)	
81	60100401	TERMINAL NUT - RECHI COMP (M1, M2, M3, M4, M5, M6)	
91	60100201	WASHER - RECHI COMPRESSOR (M1, M2, M3, M4, M5, M6)	
101	60140209	GROMMET - RECHI COMPRESSOR (M1, M2, M3, M4, M5, M6)	
111	0163M00186	SCREW-SHOULDER TF (M1, M2, M3, M4, M5, M6)	
121	0159R00019	HARNESS, COMP SCROLL (M7, M8)	
121	0159R00020	HARNESS, COMP SCROLL (M9, M10, M11, M12, M13, M14, M15)	
121	0159R00016	HARNESS, COMP-SCROLL (M16, M17)	
121	0159R00017	HARNESS, COMP-SCROLL (M18)	
131	0162R00009	FILTER DRIER (M9, M10, M11, M18)	
141	0121R00272	BASE PAN, 23" (M1, M3)	
141	0121R00005	BASE PAN, 26" (M2, M4, M5, M6, M7, M8)	
141	0121R00006	BASE PAN, 29" (M9, M10, M11, M12, M13, M14, M15, M16, M17)	
141	0121R00007	BASE PAN, 35.5" (M18)	
161	ZP29K5EPFV130	COMP,29000,208/230/60/1 (M7, M8)	
161	ZP49K5EPFV130	COMP,49400,208/230/60/1 (M16, M17)	
161	ZP34K5EPFV130	COMPRESSOR 34500, 208/230/60/1 (M9, M10, M11, M12, M13)	
161	ZP39K5EPFV130	COMPRESSOR 39000, 208/230/60/1 (M14, M15)	
161	ZP51K5EPFV130	COMPRESSOR 51000, 208/230/60/1 (M18)	
171	50N382YV-5AKM	1.5T RECHI COMPRESSOR (3-LEGS) (M1)	
171	50N492ZV-5AKM	2.0 TON RECHI COMPRESSOR (M3)	
171	50N492ZV-ZAKM	2.0TONRECHI COMPR.4 LEGS (M2)	
171	50N6229V-ZAKM	2.5 TON RECHI COMPR. 4 LEGS (M4, M5, M6)	
271	M0221641	TF SHOULDER SCREW (M7, M8, M9, M10, M11, M12, M13, M14, M15, M16, M17, M18)	
281	B1339533	COMPRESSOR GROMMET (M7, M8, M9, M10, M11, M12, M13, M14, M15, M16, M17, M18)	
NS	B1789851	FLOW CHECK PISTON KIT (M1)	
NS	B1789857	FLOW CHECK PISTON KIT (M2, M3)	
NS	B1789867	FLOW CHECK PISTON KIT (M4, M5, M6)	
NS	B1789870	FLOW CHECK PISTON KIT (M7, M8)	

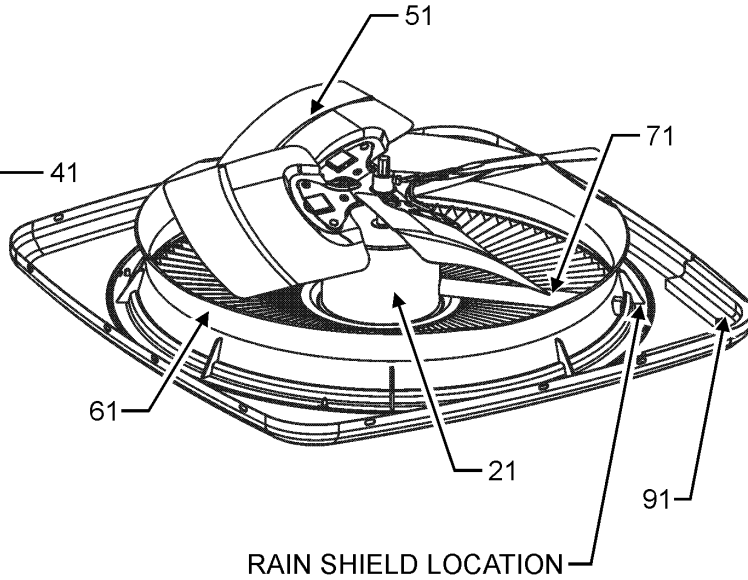
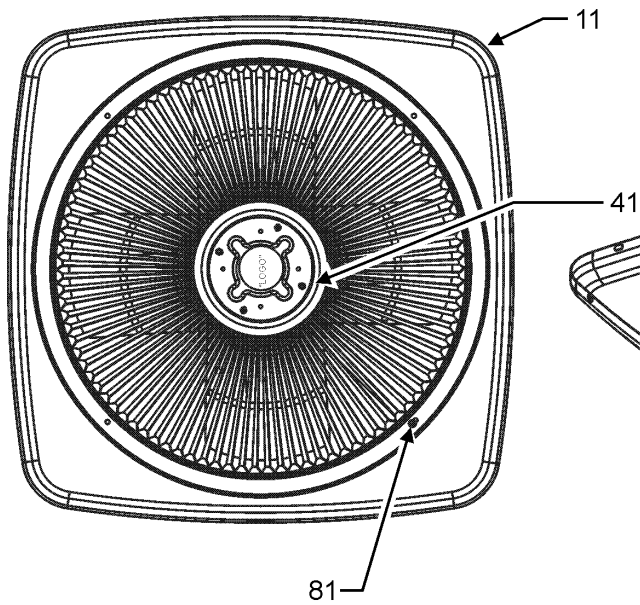
Expanded Model Nomenclature

M1 - VSX130181EL
M2 - VSX130241EG
M3 - VSX130241FA
M4 - VSX130301LB
M5 - VSX130301LC
M6 - VSX130301LD
M7 - VSX130361EH
M8 - VSX130361EK
M9 - VSX130421AJ
M10 - VSX130421AK
M11 - VSX130421AL
M12 - VSX130421AM
M13 - VSX130421AN
M14 - VSX130481AJ
M15 - VSX130481AK
M16 - VSX130601BH
M17 - VSX130601BJ
M18 - VSX130611AE

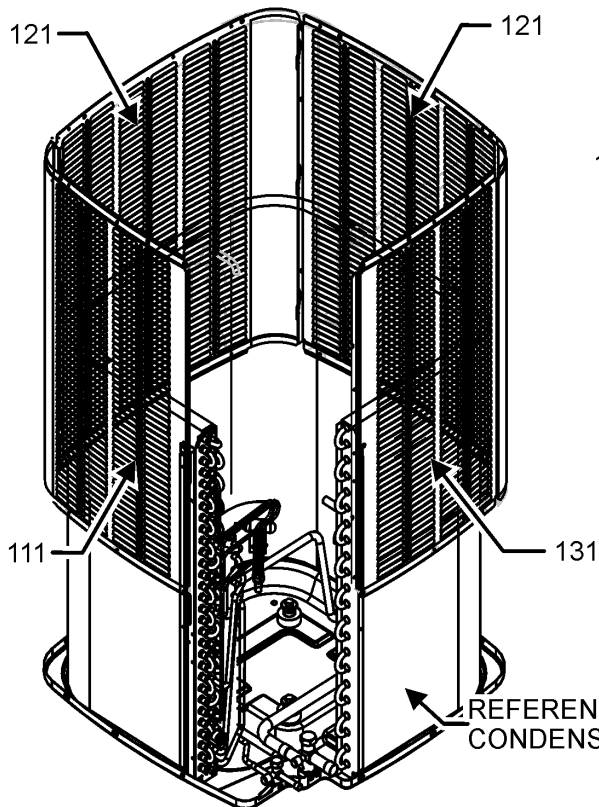
Cabinet Top and Side Panel Assembly

TOP VIEW

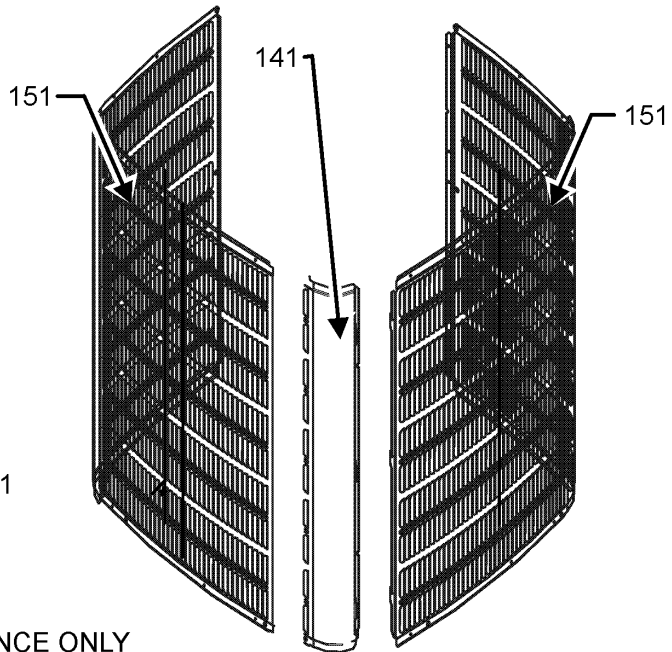
BOTTOM VIEW



RAIN SHIELD LOCATION



PANEL ASSEMBLY STYLE 1



PANEL ASSEMBLY STYLE 2

REFERENCE ONLY
CONDENSER COIL

Cabinet Top and Side Panel Assembly

Ref. Part No:	Ref. Part No:	Description:	Description:
Image 1:		Expanded Model Nomenclature	
11	0121R00270PDB	TOP PANEL (M1, M3)	M1 - VSX130181EL
11	0121R00008PDB	TOP PANEL 26" (M2, M4, M5, M6, M7, M8)	M2 - VSX130241EG
11	0121R00010PDB	TOP PANEL 29" (M9, M10, M11, M12, M13, M14, M15, M16, M17)	M3 - VSX130241FA
11	0121R00269PDB	TOP PANEL 35" (M18)	M4 - VSX130301LB
21	0131M00266	1/8 HP 8 PL PSC MOTOR (M4)	M5 - VSX130301LC
21	0131M00811	1/8 HP 8 PL PSC MOTOR (M5)	M6 - VSX130301LD
21	0131M00018P	MOTOR, 1/4HP, 1SP, 6PL (M9, M11)	M7 - VSX130361EH
21	0131M00813	MOTOR, 1/4HP, 1SP, 6PL (M7, M10, M12, M14, M15, M16, M17)	M8 - VSX130361EK
21	0131M00807	MOTOR, 1/4HP, 1SP, 8PL, AL (M18)	M9 - VSX130421AJ
21	0131M00593	MOTOR, 1/8 HP, 1SP, 6PL, AL (M1, M3)	M10 - VSX130421AK
21	0131M00800	MOTOR, 1/8HP, 1SP, 6PL, AL (M2)	M11 - VSX130421AL
21	0131M00969	MOTOR, 1/8HP, 8PL, PSC (M6)	M12 - VSX130421AM
21	0131M00954	MOTOR, OD, PSC, 1/4HP (M8, M13, M15, M17)	M13 - VSX130421AN
41	0163M00006P	ACORN NUT 5/16 HEX BLACK (QTY 4)	M14 - VSX130481AJ
51	0150M00041	FAN BLADE (M4, M5, M6, M7)	M15 - VSX130481AK
51	0150M00067	FAN BLADE (M8)	M16 - VSX130601BH
51	0150M00018	FAN BLADE 20" (M2)	M17 - VSX130601BJ
51	0150M00030	FAN BLADE, 18" (M1, M3)	M18 - VSX130611AE
51	B1086750	FAN BLADE, 22", 3 BLADE, 24 DEG (M9, M10, M11, M12, M13, M14, M15, M16, M17)	
51	0150M00066	FAN BLADE, 26" (M18)	
61	0161L00000	VENTURI RING 22" (M9, M10, M11, M12, M13, M14, M15, M16, M17)	
61	0161R00007P	VENTURI RING 35" (M18)	
71	0161R00001P	CONDUIT (M2, M4, M5, M6, M7, M8)	
71	0161R00002P	CONDUIT (M9, M10, M11, M12, M13, M14, M15, M16, M17)	
71	0161R00004P	CONDUIT (M18)	
71	0161R00032	CONDUIT (M1, M3)	
81	0163M00004	SCREW #10X3/4", BLACK (M9, M10, M11, M12, M13, M14, M15, M16, M17, M18)	
81	0163M00003P	SCREW, #10 X 1/2, A, SLOT, SR, BLK (M1, M2, M3, M4, M5, M6, M7, M8)	
91	0154R000006	GASKET, CONTROL PANEL (M2, M4, M5, M6, M7, M8, M9, M10, M11, M12, M13, M14, M15, M16, M17, M18)	
111	0121R00228PDB	PANEL 1, BENT LOUVER 35, 5MM (M18)	
121	0121R00231PDB	PANEL 2, LOUVER 35, 5MM, PNT (M18)	
131	0121R00234PDB	PANEL 3, LOUVER 35, 5MM, PNT (M18)	
141	0121R00347PDB	Louver Post, PBB 23.73 (M2, M7, M8)	
141	0121R00280PDB	Louver Post, PBB 23_25.2, PNT BB (M1, M3)	
141	0121R00350PDB	Louver Post, PBB 28.73 (M4, M5, M6)	
141	0121R00352PDB	Louver Post, PBB 32.51 (M9, M10, M11, M12, M13, M14, M15)	
141	0121R00354PDB	Louver Post, PBB 36.30 (M16, M17)	
151	0121R00336PDB	Louver Panel, PBB 26"_23.73 (M2, M7, M8)	
151	0121R00337PDB	Louver Panel, PBB 26"_28.73 (M4, M5, M6)	
151	0121R00344PDB	Louver Panel, PBB 29"_32.51 (M9, M10, M11, M12, M13, M14, M15)	
151	0121R00346PDB	Louver Panel, PBB 29"_36.30 (M16, M17)	
151	0121R00274PDB	PANEL, LOUVER 23_25.2, PNT BB (M1, M3)	
NS	0121R00297	RAIN SHEILD (M1, M3)	