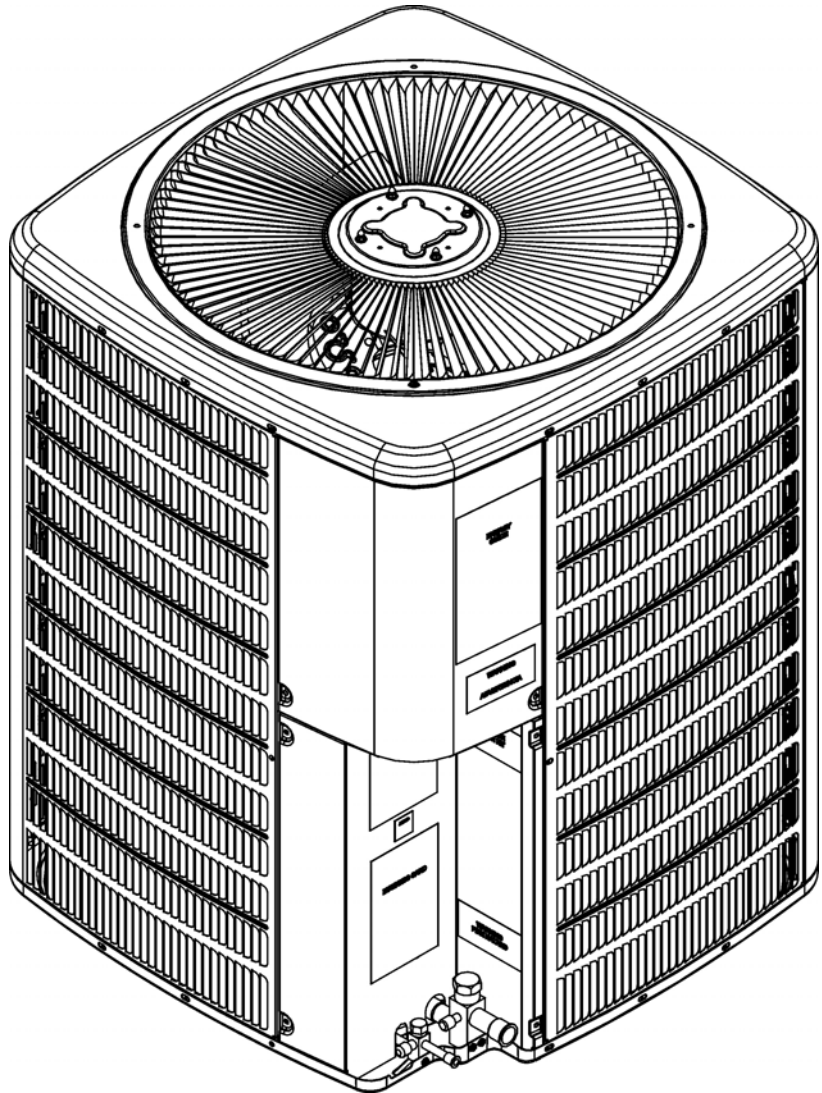


REPAIR PARTS

VSX13 Remote Condensing Unit

VSX130181EG
VSX130181EH
VSX130181EJ
VSX130181EK
VSX130241ED
VSX130241EE
VSX130241EF
VSX130301AF
VSX130301AG
VSX130301LA
VSX130361EE
VSX130361EF
VSX130361EG
VSX130421AF
VSX130421AG
VSX130421AH
VSX130481AF
VSX130481AG
VSX130481AH
VSX130601BE
VSX130601BF
VSX130601BG
VSX130611AC
VSX130611AD



This manual is to be used by qualified technicians only.

This manual replaces RP-4308A.

© 2016 - 2017 Goodman Manufacturing Company, L.P. ♦ 5151 San Felipe St., Suite 500 ♦ Houston, TX 77056

Important Information

Index

Functional Parts List	3
Illustration and Parts	4 - 9

Views shown are for parts illustrations only, not servicing procedures

Text Codes:

AR - As Required

NA - Not Available

NS - Not Shown

00000000 - See Note

QTY - Quantity Example (QTY 3) (If Quantity not shown, Quantity = 1)

M - Model Example (M1) (If M Code not shown, then part is used on all Models)

Expanded Model Nomenclature:

Example M1 - Model#1 M2 - Model#2 M3 - Model#3

Goodman Manufacturing Company, L.P. is not responsible for personal injury or property damage resulting from improper service. Review all service information before beginning repairs.

Warranty service must be performed by an authorized technician, using authorized factory parts. If service is required after the warranty expires, Goodman Manufacturing Company, L.P. also recommends contacting an authorized technician and using authorized factory parts.

Goodman Manufacturing Company, L.P. reserves the right to discontinue, or change at any time, specifications or designs without notice or without incurring obligations.

For assistance within the U.S.A. contact:
Homeowner Support
Goodman Manufacturing Company, L.P.
19001 Kermier Road
Waller, Texas 77484
877-254-4729-Telephone
713-863-2382-Facsimile

For assistance outside the U.S.A. contact:
International Division
Goodman Manufacturing Company, L.P.
19001 Kermier Road
Waller, Texas 77484
713-861-2500-Telephone
713-863-2382-Facsimile

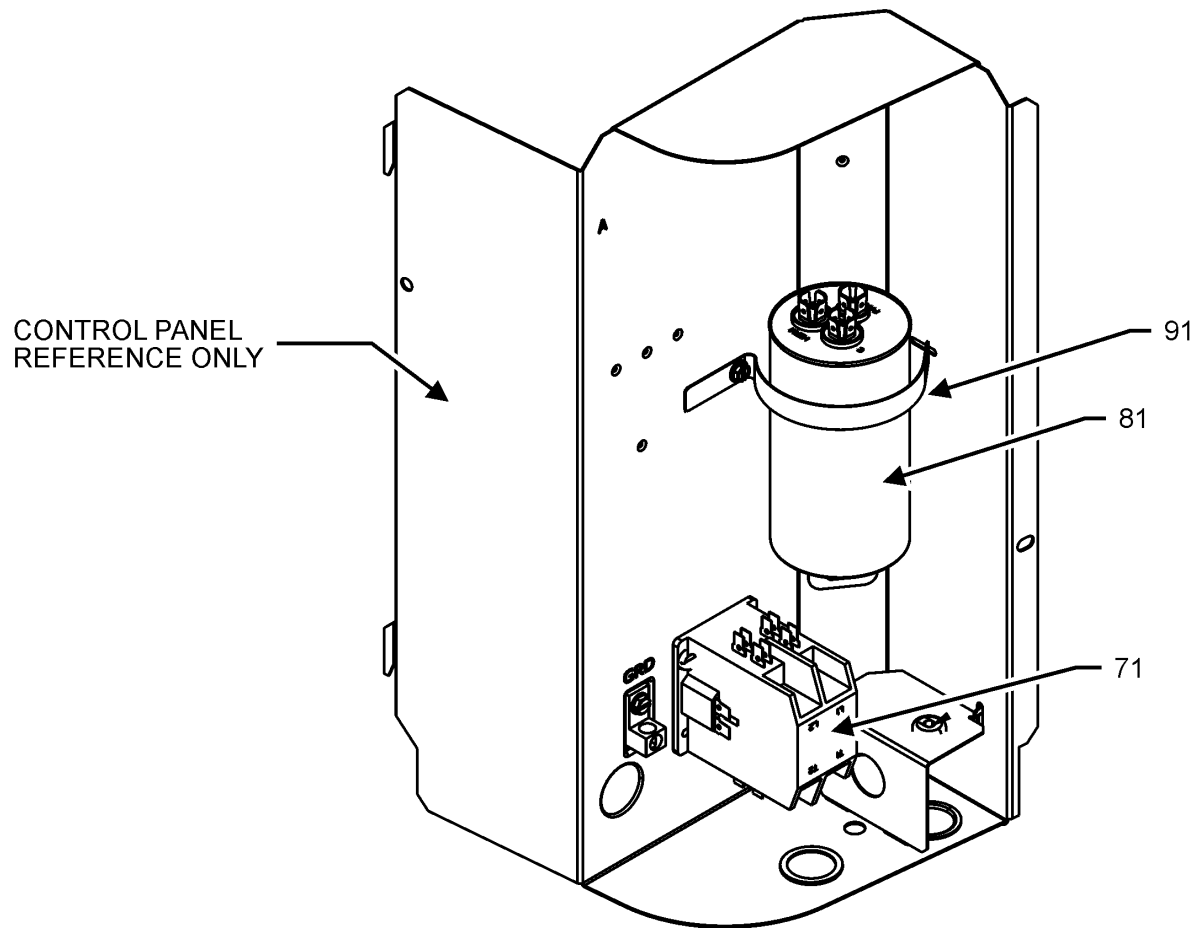
Functional Parts

Part

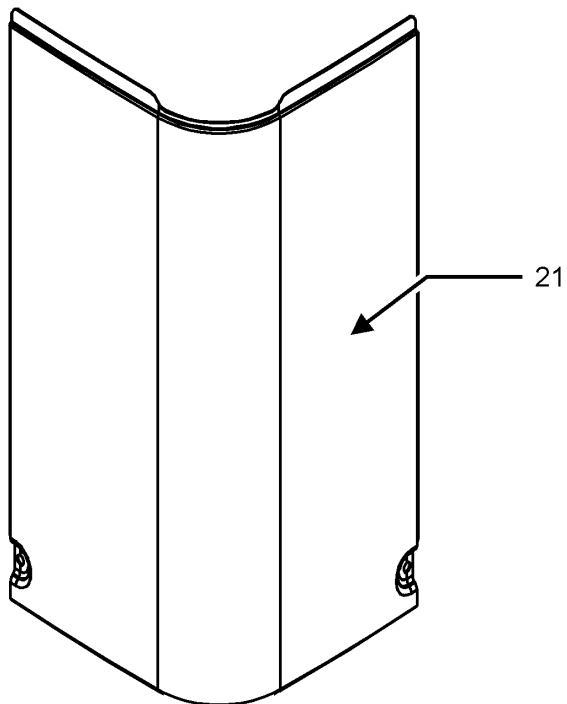
No: Description:

Part No:	Description:	Expanded Model Nomenclature
50N382XV-5AKM	1.5 Rechi Compressor (M2, M4)	M1 - VSX130181EG
50N382YV-5AKM	1.5T RECHI COMPRESSOR (3-LEGS) (M1, M3)	M2 - VSX130181EH
50N492ZV-ZAKM	2.0TONRECHI COMPR.4 LEGS (M5, M6, M7)	M3 - VSX130181EJ
50N6229V-ZAKM	2.5 TON RECHI COMPR. 4 LEGS (M10)	M4 - VSX130181EK
0151R00079	BASE VALVE 3/4" (M1, M2, M3, M4, M5, M6, M7, M8, M9, M10, M11, M12, M13)	M5 - VSX130241ED
0151R00078	BASE VALVE 3/8"	M6 - VSX130241EE
0151R00080	BASE VALVE 7/8" (M14, M15, M16, M17, M18, M19, M20, M21, M22, M23, M24)	M7 - VSX130241EF
CAP050500440CT	CAP, 5/50 MFD/440V/DUAL RD (M10)	M8 - VSX130301AF
CAP050350440CS	CAPACITOR 5/35/440V (M1, M2, M3, M4)	M9 - VSX130301AG
CAP050400440CT	CAPACITOR 5/40/440V/DUAL RD (M8, M9)	M10 - VSX130301LA
CAP050450440CT	CAPACITOR 5/45/440V/DUAL RD (M5, M6, M7, M11, M12, M13, M14, M15, M16, M17, M18, M19)	M11 - VSX130361EE
CAP050700440CT	CAPACITOR 5/70/440V/DUAL RD (M20, M21, M22, M23, M24)	M12 - VSX130361EF
ZP24K5EPFV130	COMP,24000,208/230/60/1 (M8, M9)	M13 - VSX130361EG
ZP29K5EPFV130	COMP,29000,208/230/60/1 (M11, M12, M13)	M14 - VSX130421AF
ZP49K5EPFV130	COMP,49400,208/230/60/1 (M20, M21, M22)	M15 - VSX130421AG
ZP34K5EPFV130	COMPRESSOR 34500, 208/230/60/1 (M14, M15, M16)	M16 - VSX130421AH
ZP39K5EPFV130	COMPRESSOR 39000, 208/230/60/1 (M17, M18, M19)	M17 - VSX130481AF
ZP51K5EPFV130	COMPRESSOR 51000, 208/230/60/1 (M23, M24)	M18 - VSX130481AG
0131M00018P	COND MOTOR 1/4 HP, 1 SP, 6 PL (M11, M13, M14, M16, M17, M19, M20, M22)	M19 - VSX130481AH
0131M00266	COND MOTOR 1/8 HP, 8 PL, PSC (M10)	M20 - VSX130601BE
CONT1P025024V	CONTACTOR 25 AMP, 1P, 24V (M1, M2, M3, M4, M5, M6, M7, M8, M9, M10, M11, M12, M13, M14, M15, M16)	M21 - VSX130601BF
CONT1P030024V	CONTACTOR 30 AMP, 1P, 24V (M17, M18, M19, M20, M21, M22, M23, M24)	M22 - VSX130601BG
0131M00813	MOTOR, 1/4HP, 1SP, 6PL (M12, M15, M18, M21)	M23 - VSX130611AC
0131M00807	MOTOR, 1/4HP,1SP,8PL,AL (M23, M24)	M24 - VSX130611AD
0131M00593	MOTOR, 1/8 HP, ISP, 6PL, AL (M1, M2, M3, M4)	
0131M00800	MOTOR, 1/8HP, 1SP, 6PL, AL (M5, M6, M7, M8, M9)	
0130M00327	SW-CUTOUT HI PRESS (M1, M2, M3, M4, M5, M6, M7, M10)	

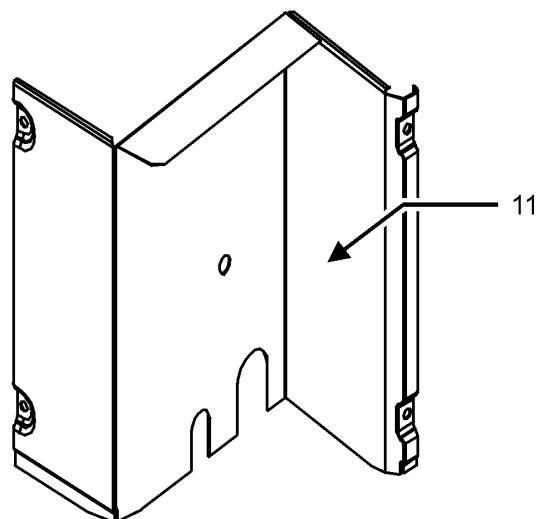
Control Box Assembly



COVER



ACCESS PANEL



Control Box Assembly

Ref. Part No:	Part No:	Description:	Ref. Part No:	Part No:	Description:
---------------	----------	--------------	---------------	----------	--------------

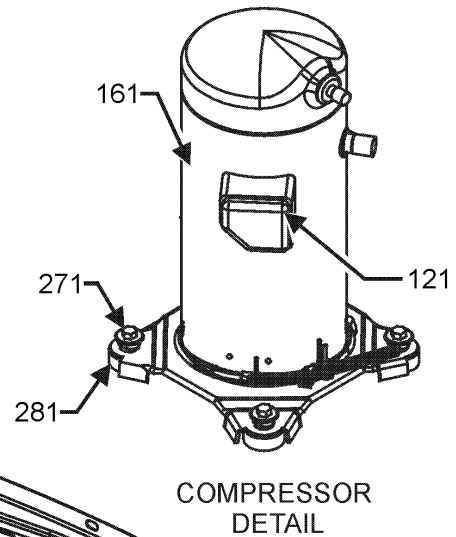
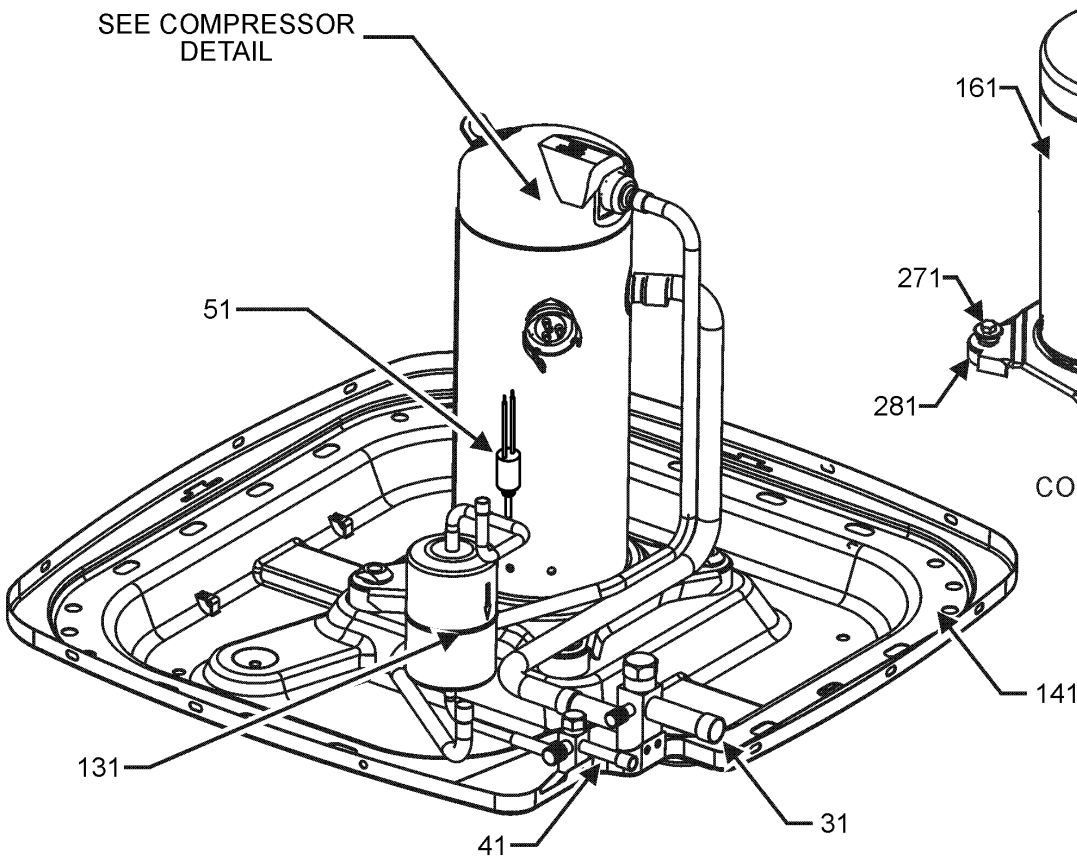
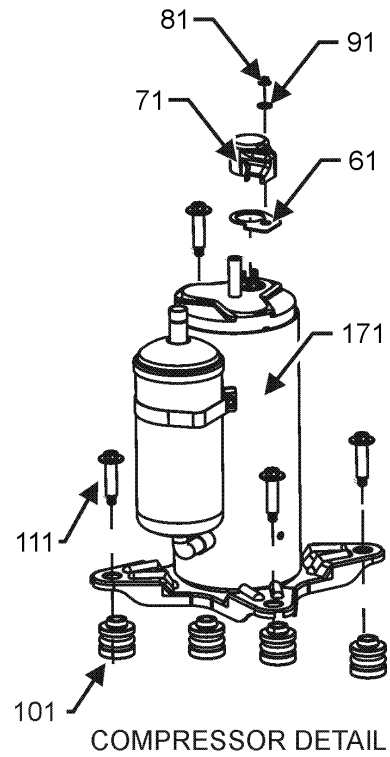
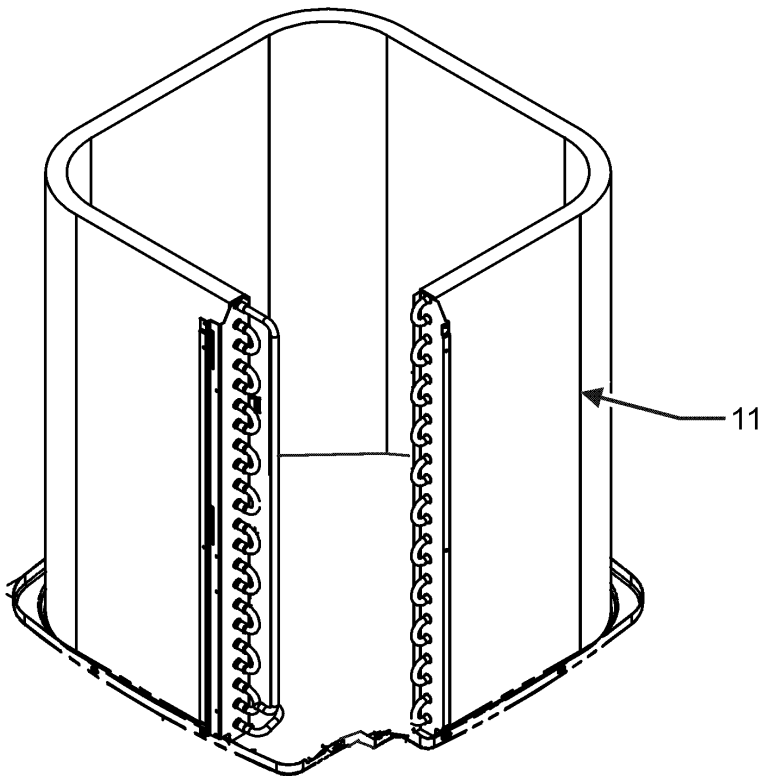
Image 1:

11	0121R00663PBB	LOWER ACCESS PANEL (M10)
11	0121R00316PBB	PANEL, LOWER ACCESS PNT (M20, M21, M22)
11	0121R00319PBB	PANEL, LOWER ACCESS PNT (M14, M15, M16, M17, M18, M19, M23, M24)
11	0121R00326PBB	PANEL, LOWER ACCESS PNT (M5, M6, M7, M8, M9, M11, M12, M13)
11	0121R00265PBB	PANEL, LOWER ACCESS 23_25.2 PNT (M1, M2, M3, M4)
21	0121R00053PBB	CONTROL COVER (M5, M6, M7, M8, M9, M10, M11, M12, M13, M14, M15, M16, M17, M18, M19, M20, M21, M22, M23, M24)
21	0121R00268PBB	CONTROL COVER (M1, M2, M3, M4)
71	CONT1P025024V	CONTACTOR 25 AMP, 1P, 24V (M1, M2, M3, M4, M5, M6, M7, M8, M9, M10, M11, M12, M13, M14, M15, M16)
71	CONT1P030024V	CONTACTOR 30 AMP, 1P, 24V (M17, M18, M19, M20, M21, M22, M23, M24)
81	CAP050500440CT	CAP, 5/50 MFD/440V/DUAL RD (M10)
81	CAP050350440CS	CAPACITOR 5/35/440V (M1, M2, M3, M4)
81	CAP050400440CT	CAPACITOR 5/40/440V/DUAL RD (M8, M9)
81	CAP050450440CT	CAPACITOR 5/45/440V/DUAL RD (M5, M6, M7, M11, M12, M13, M14, M15, M16, M17, M18, M19)
81	CAP050700440CT	CAPACITOR 5/70/440V/DUAL RD (M20, M21, M22, M23, M24)
91	4400065	CAPACITOR STRAP

Expanded Model Nomenclature

- M1 - VSX130181EG
- M2 - VSX130181EH
- M3 - VSX130181EJ
- M4 - VSX130181EK
- M5 - VSX130241ED
- M6 - VSX130241EE
- M7 - VSX130241EF
- M8 - VSX130301AF
- M9 - VSX130301AG
- M10 - VSX130301LA
- M11 - VSX130361EE
- M12 - VSX130361EF
- M13 - VSX130361EG
- M14 - VSX130421AF
- M15 - VSX130421AG
- M16 - VSX130421AH
- M17 - VSX130481AF
- M18 - VSX130481AG
- M19 - VSX130481AH
- M20 - VSX130601BE
- M21 - VSX130601BF
- M22 - VSX130601BG
- M23 - VSX130611AC
- M24 - VSX130611AD

Compressor and Tubing Assembly



NOTE: COIL TUBING ASSEMBLY MIGHT DIFFER FROM WHAT IS SHOWN

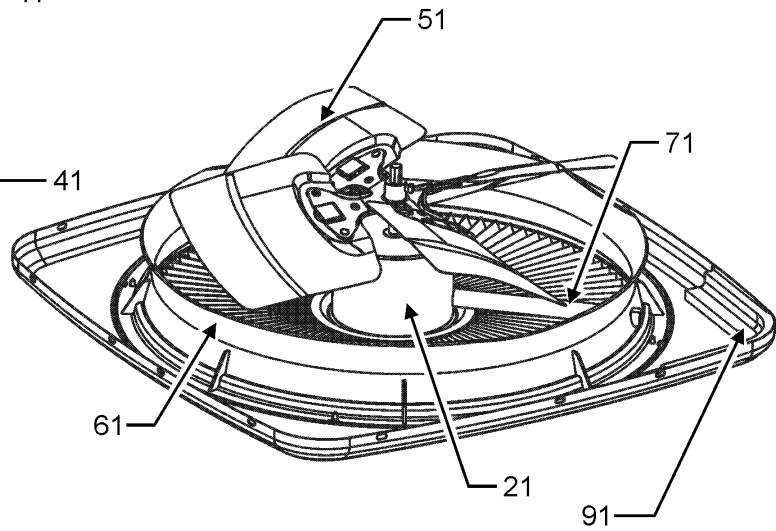
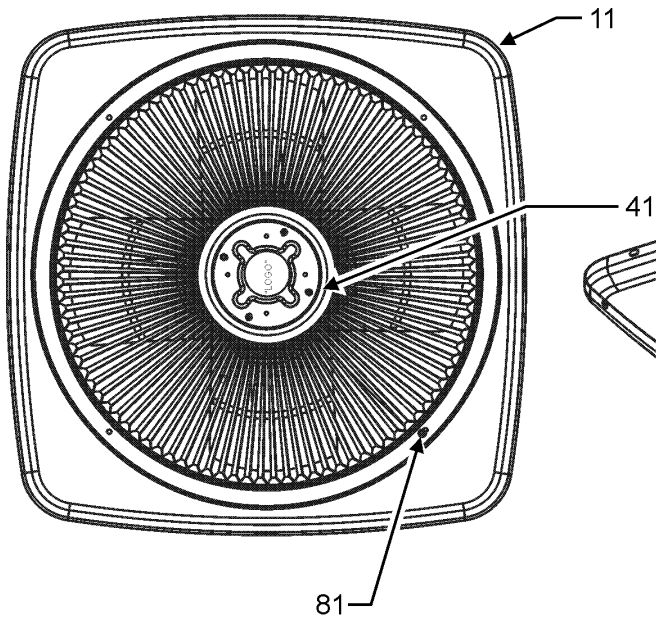
Compressor and Tubing Assembly

Ref. Part No: No:	Description:	Ref. Part No: No:	Description:	
Image 1:		Image 1:		
11	0201R00349	NS	B1789886	FLOW CHECK PISTON KIT (M20, M21, M22, M23, M24)
11	0201R00385	NS	B1789851	FLOW CHECK PISTON KIT .051 (M1, M2, M3, M4)
11	0201R00453	NS	B1789855	FLOW CHECK PISTON KIT .055 (M5, M6, M7)
11	0201R00458	NS	B1789861	FLOW CHECK PISTON KIT .061 (M8, M9)
11	0201R00472	NS	B1789867	FLOW CHECK PISTON KIT .067 (M10)
11	0201R00510	NS	B1789870	FLOW CHECK PISTON KIT .070 (M11, M12, M13)
11	0201R00666	NS	B1789876	FLOW CHECK PISTON KIT .076 (M14, M15, M16)
11	0201R00683	NS	B1789880	FLOW CHECK PISTON KIT .080 (M17, M18, M19)
31	0151R00079	NS	0121R00297	RAIN SHEILD (M1, M2, M3, M4)
31	0151R00080	Expanded Model Nomenclature		
41	0151R00078	M1 - VSX130181EG		
51	0130M00327	M2 - VSX130181EH		
61	60100107	M3 - VSX130181EJ		
71	60100317	M4 - VSX130181EK		
81	60100401	M5 - VSX130241ED		
91	60100201	M6 - VSX130241EE		
101	60140209	M7 - VSX130241EF		
111	0163M00186	M8 - VSX130301AF		
121	0159R00000P	M9 - VSX130301AG		
121	0159R00001P	M10 - VSX130301LA		
121	0159R00002P	M11 - VSX130361EE		
131	0162R00009	M12 - VSX130361EF		
141	0121R00272	M13 - VSX130361EG		
141	0121R00005	M14 - VSX130421AF		
141	0121R00006	M15 - VSX130421AG		
141	0121R00007	M16 - VSX130421AH		
161	ZP24K5EPFV130	M17 - VSX130481AF		
161	ZP29K5EPFV130	M18 - VSX130481AG		
161	ZP49K5EPFV130	M19 - VSX130481AH		
161	ZP34K5EPFV130	M20 - VSX130601BE		
161	ZP39K5EPFV130	M21 - VSX130601BF		
161	ZP51K5EPFV130	M22 - VSX130601BG		
171	50N382XV-5AKM	M23 - VSX130611AC		
171	50N382YV-5AKM	M24 - VSX130611AD		
171	50N492ZV-ZAKM			
171	50N6229V-ZAKM			
271	M0221641			
281	B1339533			

Cabinet Top and Side Panel Assembly

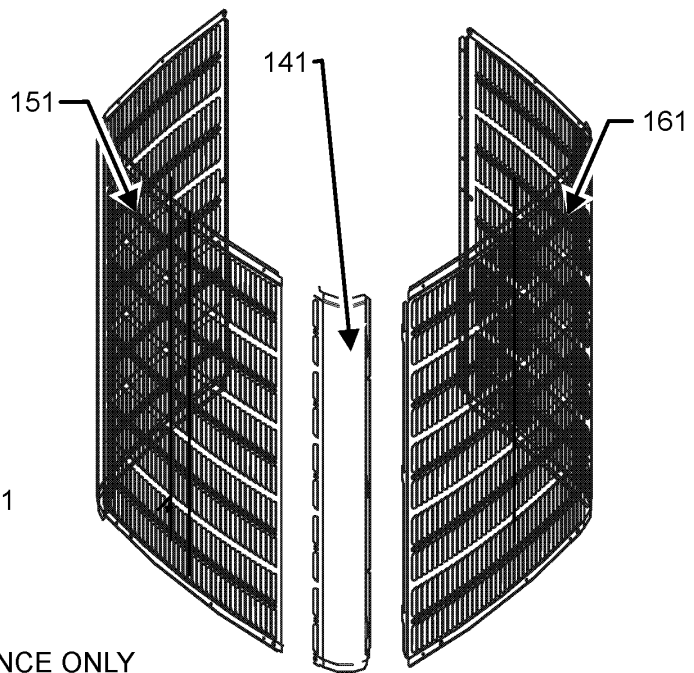
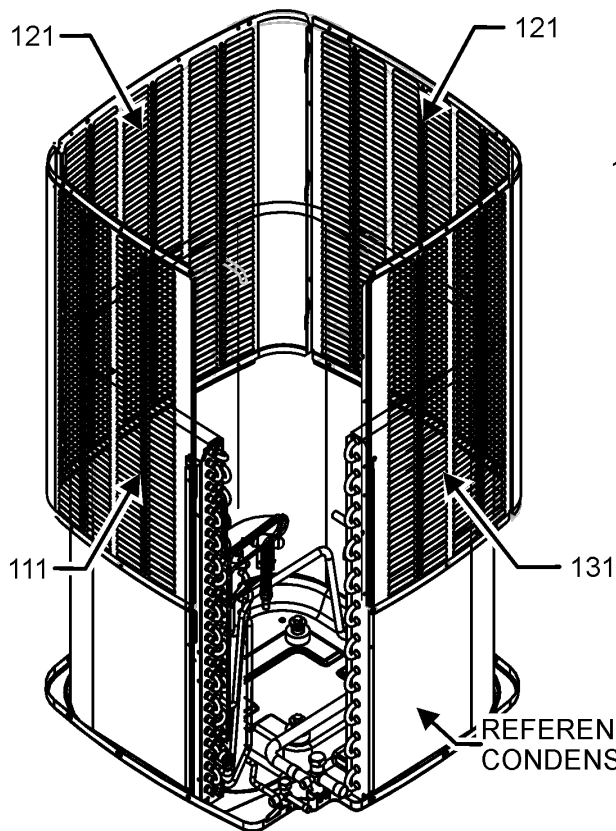
TOP VIEW

BOTTOM VIEW



PANEL ASSEMBLY STYLE 1

PANEL ASSEMBLY STYLE 2



Cabinet Top and Side Panel Assembly

Ref. Part No: No:	Description:	Ref. Part No: No:	Description:		
Image 1:		Image 1:			
11	0121R00270PBB TOP PANEL (M1, M2, M3, M4)	161	0121R00344PBBRS Louver Panel, PBB 29" _32.51 (M14, M15, M16, M17, M18, M19)		
11	0121R00008PBB TOP PANEL 26" (M5, M6, M7, M8, M9, M10, M11, M12, M13)	161	0121R00346PBBRS Louver Panel, PBB 29" _36.30 (M20, M21, M22)		
11	0121R00010PBB TOP PANEL 29" (M14, M15, M16, M17, M18, M19, M20, M21, M22)	161	0121R00274PBBR PANEL, LOUVER 23_25.2, PNT BB (M1, M2, M3, M4)		
11	0121R00269PBB TOP PANEL 35" (M23, M24)	Expanded Model Nomenclature			
21	0131M00018P COND MOTOR 1/4 HP, 1 SP, 6 PL (M11, M13, M14, M16, M17, M19, M20, M22)	<div style="border: 1px solid black; padding: 5px;"> M1 - VSX130181EG M2 - VSX130181EH M3 - VSX130181EJ M4 - VSX130181EK M5 - VSX130241ED M6 - VSX130241EE M7 - VSX130241EF M8 - VSX130301AF M9 - VSX130301AG M10 - VSX130301LA M11 - VSX130361EE M12 - VSX130361EF M13 - VSX130361EG M14 - VSX130421AF M15 - VSX130421AG M16 - VSX130421AH M17 - VSX130481AF M18 - VSX130481AG M19 - VSX130481AH M20 - VSX130601BE M21 - VSX130601BF M22 - VSX130601BG M23 - VSX130611AC M24 - VSX130611AD </div>			
21	0131M00266 COND MOTOR 1/8 HP, 8 PL, PSC (M10)				
21	0131M00813 MOTOR, 1/4HP, 1SP, 6PL (M12, M15, M18, M21)				
21	0131M00807 MOTOR, 1/4HP, 1SP, 8PL, AL (M23, M24)				
21	0131M00593 MOTOR, 1/8 HP, 1SP, 6PL, AL (M1, M2, M3, M4)				
21	0131M00800 MOTOR, 1/8HP, 1SP, 6PL, AL (M5, M6, M7, M8, M9)				
41	0163M00006P ACORN NUT 5/16 HEX BLACK (QTY 4)				
51	0150M00041 FAN BLADE (M10, M11, M12, M13)				
51	0150M00018 FAN BLADE 20" (M5, M6, M7, M8, M9)				
51	B1086750 FAN BLADE 22", 3 BLADE, 24° (M14, M15, M16, M17, M18, M19, M20, M21, M22)				
51	10625738 FAN BLADE 26" ALUM CCW (M23, M24)				
51	0150M00030 FAN BLADE, 18" (M1, M2, M3, M4)				
61	0161L00000 VENTURI RING 22" (M14, M15, M16, M17, M18, M19, M20, M21, M22)				
61	0161R00007P VENTURI RING 35" (M23, M24)				
71	0161R00001P CONDUIT (M5, M6, M7, M8, M9, M10, M11, M12, M13)				
71	0161R00002P CONDUIT (M14, M15, M16, M17, M18, M19, M20, M21, M22)				
71	0161R00004P CONDUIT (M23, M24)				
71	0161R00032 CONDUIT (M1, M2, M3, M4)				
81	0163M00003P SCREW #10 X 1/2, A, SLOT, SR, BLACK (M2, M3, M4, M5, M6, M7, M8, M9, M10, M11, M12, M13, M14, M15, M16, M17, M18, M19, M20, M21, M22)				
81	0163M00004 SCREW #10X3/4", BLACK (M1, M23, M24)				
91	0154R00006 GASKET, CONTROL PANEL (M5, M6, M7, M8, M9, M10, M11, M12, M13, M14, M15, M16, M17, M18, M19, M20, M21, M22, M23, M24)				
111	0121R00228PBBB PANEL 1, BENT LOUVER 35, 5MM (M23, M24)				
121	0121R00231PBBB PANEL 2, BENT LOUVER 35, 5MM (M23, M24)				
131	0121R00234PBB PANEL 3, LOUVER 35, 5MM, PNT (M23, M24)				
141	0121R00347PBB Louver Post, PBB 23.73 (M5, M6, M7, M8, M9, M11, M12, M13)				
141	0121R00280PBB Louver Post, PBB 23_25.2, PNT BB (M1, M2, M3, M4)				
141	0121R00350PBB Louver Post, PBB 28.73 (M10)				
141	0121R00352PBB Louver Post, PBB 32.51 (M14, M15, M16, M17, M18, M19)				
141	0121R00354PBB Louver Post, PBB 36.30 (M20, M21, M22)				
151	0121R00336PBBLS Louver Panel, PBB 26" _23.73 (M5, M6, M7, M8, M9, M11, M12, M13)				
151	0121R00337PBBLS Louver Panel, PBB 26" _28.73 (M10)				
151	0121R00344PBBLS Louver Panel, PBB 29" _32.51 (M14, M15, M16, M17, M18, M19)				
151	0121R00346PBBLS Louver Panel, PBB 29" _36.30 (M20, M21, M22)				
151	0121R00274PBBL PANEL, LOUVER 23_25.2, PNT BB (M1, M2, M3, M4)				
161	0121R00336PBBRS Louver Panel, PBB 26" _23.73 (M5, M6, M7, M8, M9, M11, M12, M13)				
161	0121R00337PBBRS Louver Panel, PBB 26" _28.73 (M10)				