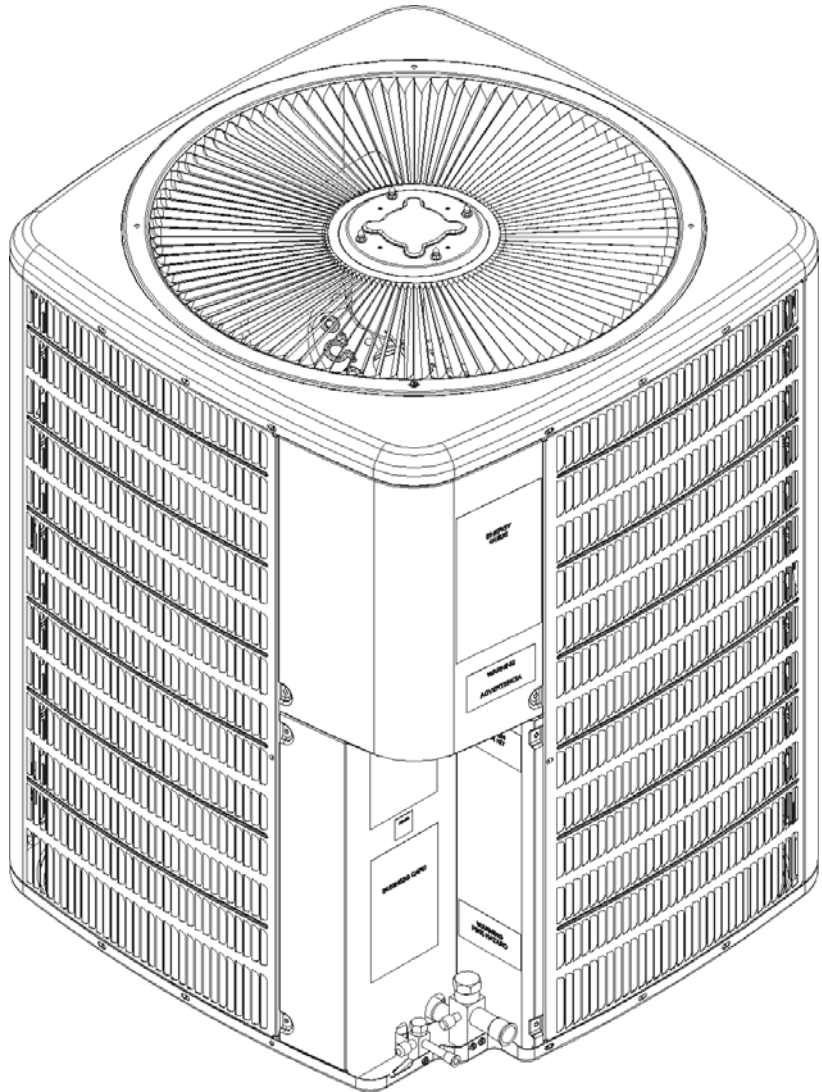


REPAIR PARTS

VSX13 Remote Condensing Unit

VSX130181AA
VSX130181BA
VSX130181DA
VSX130181EA
VSX130181EB
VSX130181ED
VSX130181EF
VSX130241AA
VSX130241BA
VSX130241DA
VSX130301AA
VSX130301AB
VSX130301AC
VSX130301DA
VSX130301DB
VSX130361AA
VSX130361BA
VSX130361DA
VSX130361EA
VSX130361EB
VSX130421AA
VSX130421AB
VSX130421AC
VSX130421BA
VSX130481AA
VSX130481AB
VSX130481AC
VSX130481BA
VSX130601BA
VSX130601BB



This manual is to be used by qualified technicians only.

This manual replaces RP-603K.

© 2010-2014, 2016 Goodman Manufacturing Company, L.P. ♦ 5151 San Felipe St., Suite 500 ♦ Houston, TX 77056

Important Information

Index

Functional Parts List	3
Illustration and Parts	4 - 9

Views shown are for parts illustrations only, not servicing procedures

Text Codes:

AR - As Required

NA - Not Available

NS - Not Shown

00000000 - See Note

QTY - Quantity Example (QTY 3) (If Quantity not shown, Quantity = 1)

M - Model Example (M1) (If M Code not shown, then part is used on all Models)

Expanded Model Nomenclature:

Example M1 - Model#1 M2 - Model#2 M3 - Model#3

Goodman Manufacturing Company, L.P. is not responsible for personal injury or property damage resulting from improper service. Review all service information before beginning repairs.

Warranty service must be performed by an authorized technician, using authorized factory parts. If service is required after the warranty expires, Goodman Manufacturing Company, L.P. also recommends contacting an authorized technician and using authorized factory parts.

Goodman Manufacturing Company, L.P. reserves the right to discontinue, or change at any time, specifications or designs without notice or without incurring obligations.

For assistance within the U.S.A. contact:
Consumer Affairs Department
Goodman Manufacturing Company, L.P.
7401 Security Way
Houston, Texas 77040
877-254-4729-Telephone
713-863-2382-Facsimile

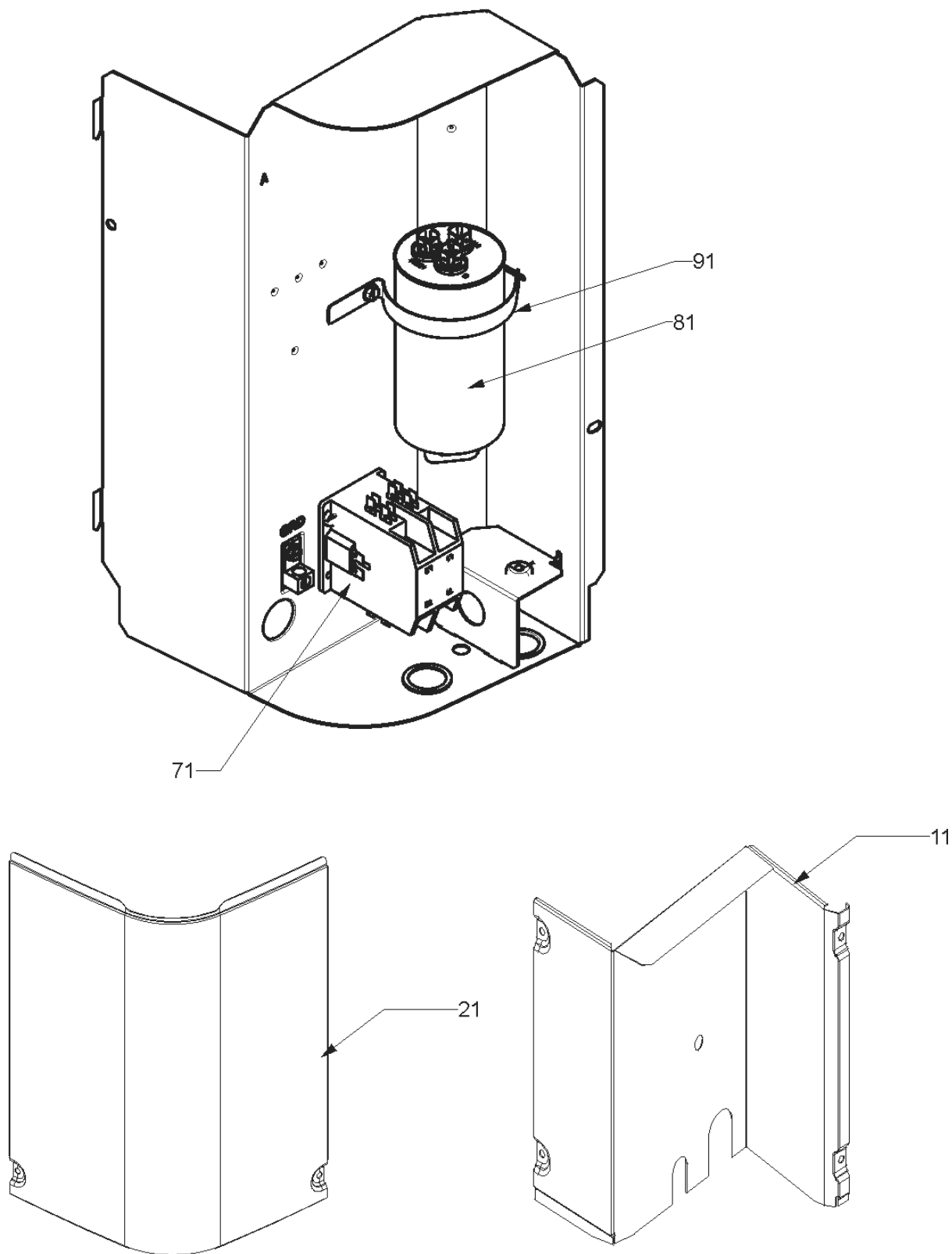
For assistance outside the U.S.A. contact:
International Division
Goodman Manufacturing Company, L.P.
7401 Security Way
Houston, Texas 77040
713-861-2500-Telephone
713-863-2382-Facsimile

Functional Parts

Part No: **Description:**

Part No:	Description:	Expanded Model Nomenclature
50N382XV-5AKM	1.5 Rechi Compressor (M4, M6, M7)	M1 - VSX130181AA
50N382XV-ZAKM	1.5T RECHI ROTARY COMPRESSOR (M5)	M2 - VSX130181BA
0151R00079	BASE VALVE 3/4" (M1, M2, M3, M4, M5, M6, M7, M8, M9, M10, M11, M12, M13, M14, M15, M16, M17, M18, M19, M20)	M3 - VSX130181DA
0151R00078	BASE VALVE 3/8" (M1, M2, M3, M4, M5, M6, M7, M8, M9, M11, M12, M13, M16, M17, M18, M19, M20, M21, M22, M23, M24, M25, M26, M27, M28, M29, M30)	M4 - VSX130181EA
0151R00080	BASE VALVE 7/8" (M21, M22, M23, M24, M25, M26, M27, M28, M29, M30)	M5 - VSX130181EB
760051-2001-22	BRISTOL COMPRESSOR (M28)	M6 - VSX130181ED
CAP050300440CS	CAP,5/30MFD/440V/DUAL RD (M1, M2, M3, M4, M5, M6, M7, M8, M9, M10)	M7 - VSX130181EF
CAP050400440CT	CAPACITOR 5/40/440V/DUAL RD (M11, M12, M13, M14, M15, M28)	M8 - VSX130241AA
CAP050450440CT	CAPACITOR 5/45/440V/DUAL RD (M16, M17, M18, M19, M20, M21, M22, M23, M24, M25, M26, M27)	M9 - VSX130241BA
CAP050700440CT	CAPACITOR 5/70/440V/DUAL RD (M29, M30)	M10 - VSX130241DA
ZP24K5EPFV130	COMP,24000,208/230/60/1 (M11, M12, M13, M14, M15)	M11 - VSX130301AA
ZP29K5EPFV130	COMP,29000,208/230/60/1 (M16, M17, M18, M19, M20)	M12 - VSX130301AB
ZP49K5EPFV130	COMP,49400,208/230/60/1 (M29, M30)	M13 - VSX130301AC
5KS150FAB21	COMPRESSOR 14600, 208/230/60/1 (M2, M3)	M14 - VSX130301DA
ZP16K5EPFV130	COMPRESSOR 15500, 208/230/60/1 (M1)	M15 - VSX130301DB
ZP20K5EPFV130	COMPRESSOR 20000, 208/230/60/1 (M8, M9, M10)	M16 - VSX130361AA
ZP34K5EPFV130	COMPRESSOR 34500, 208/230/60/1 (M21, M22, M23)	M17 - VSX130361BA
ZP39K5EPFV130	COMPRESSOR 39000, 208/230/60/1 (M25, M26, M27)	M18 - VSX130361DA
760024-2001-20	COMPRESSOR BRISTOL (M24)	M19 - VSX130361EA
0131M00018P	COND MOTOR 1/4 HP, 1 SP, 6 PL (M18, M19, M20, M22, M23, M24, M26, M27, M28, M29, M30)	M20 - VSX130361EB
0131M00061	COND MOTOR 1/4 HP, 1 SP, 8 PL (M21, M25)	M21 - VSX130421AA
0131M00060	COND MOTOR 1/6 HP, 1 SP, 8 PL (M16, M17)	M22 - VSX130421AB
0131M00266	COND MOTOR 1/8 HP, 8 PL, PSC (M1, M2, M8, M9, M11)	M23 - VSX130421AC
0131M00276	COND MOTOR, 1/8 HP, ISP, 6PL (M3, M4, M5, M6, M10, M14, M15)	M24 - VSX130421BA
0131M00593	COND MOTOR, 1/8 HP, ISP, 6PL, AL (M7)	M25 - VSX130481AA
0131M00294	COND MOTOR, 1/8HP, ISP, 6PL (M12, M13)	M26 - VSX130481AB
CONT1P025024V	CONTACTOR 25 AMP, 1P, 24V (M1, M2, M3, M4, M5, M6, M7, M8, M9, M10, M11, M12, M13, M14, M15, M16, M17, M18, M19, M20, M21, M22, M23, M24)	M27 - VSX130481AC
CONT1P030024V	CONTACTOR 30 AMP, 1P, 24V (M25, M26, M27, M28, M29, M30)	M28 - VSX130481BA
0130M00089	CUT-OUT SWITCH, HIGH PRESSURE (M4, M5, M6, M7)	M29 - VSX130601BA
0150M00041	FAN BLADE (M19, M20)	M30 - VSX130601BB
0150M00018	FAN BLADE 20" (M1, M8, M9, M12, M13)	
0150M00012	FAN BLADE 20" CCW (M2, M11)	
B1086750	FAN BLADE 22", 3 BLADE, 24° (M22, M23, M24, M26, M27, M28, M29, M30)	
B1086764	FAN BLADE TYPE 2 (M16, M17)	
B1086765	FAN BLADE TYPE 3 (M21, M25)	
0150M00029	FAN BLADE, 18" (M18)	
0150M00030	FAN BLADE, 18" (M3, M4, M5, M6, M7, M10, M14, M15)	

Control Cover / Control Box



Control Cover / Control Box

Ref. Part No:	Description:	Ref. Part No:	Description:
Image 1:		Expanded Model Nomenclature	
11	0121R00316PBB	PANEL, LOWER ACCESS PNT (M29, M30)	M1 - VSX130181AA
11	0121R00319PBB	PANEL, LOWER ACCESS PNT (M21, M22, M23, M24, M25, M26, M27, M28)	M2 - VSX130181BA
11	0121R00325PBB	PANEL, LOWER ACCESS PNT (M16, M17)	M3 - VSX130181DA
11	0121R00326PBB	PANEL, LOWER ACCESS PNT (M1, M2, M8, M9, M11, M12, M13, M19, M20)	M4 - VSX130181EA
11	0121R00264PBB	PANEL, LOWER ACCESS 23_22.6 (M3)	M5 - VSX130181EB
11	0121R00265PBB	PANEL, LOWER ACCESS 23_25.2 PNT (M4, M5, M6, M7, M10, M14, M15)	M6 - VSX130181ED
11	0121R00266PBB	PANEL, LOWER ACCESS 23_30.24PNT (M18)	M7 - VSX130181EF
21	0121R00053PBB	CONTROL COVER (M1, M2, M8, M9, M11, M12, M13, M16, M17, M19, M20, M21, M22, M23, M24, M25, M26, M27, M28, M29, M30)	M8 - VSX130241AA
21	0121R00268PBB	CONTROL COVER (M3, M4, M5, M6, M7, M10, M14, M15, M18)	M9 - VSX130241BA
71	CONT1P025024V	CONTACTOR 25 AMP, 1P, 24V (M1, M2, M3, M4, M5, M6, M7, M8, M9, M10, M11, M12, M13, M14, M15, M16, M17, M18, M19, M20, M21, M22, M23, M24)	M10 - VSX130241DA
71	CONT1P030024V	CONTACTOR 30 AMP, 1P, 24V (M25, M26, M27, M28, M29, M30)	M11 - VSX130301AA
81	CAP050300440CS	CAP.5/30MFD/440V/DUAL RD (M1, M2, M3, M4, M5, M6, M7, M8, M9, M10)	M12 - VSX130301AB
81	CAP050400440CT	CAPACITOR 5/40/440V/DUAL RD (M11, M12, M13, M14, M15, M28)	M13 - VSX130301AC
81	CAP050450440CT	CAPACITOR 5/45/440V/DUAL RD (M16, M17, M18, M19, M20, M21, M22, M23, M24, M25, M26, M27)	M14 - VSX130301DA
81	CAP050700440CT	CAPACITOR 5/70/440V/DUAL RD (M29, M30)	M15 - VSX130301DB
91	4400065	CAPACITOR STRAP	M16 - VSX130361AA
			M17 - VSX130361BA
			M18 - VSX130361DA
			M19 - VSX130361EA
			M20 - VSX130361EB
			M21 - VSX130421AA
			M22 - VSX130421AB
			M23 - VSX130421AC
			M24 - VSX130421BA
			M25 - VSX130481AA
			M26 - VSX130481AB
			M27 - VSX130481AC
			M28 - VSX130481BA
			M29 - VSX130601BA
			M30 - VSX130601BB

Compressor / Tubing Assembly/Condenser

Image 1

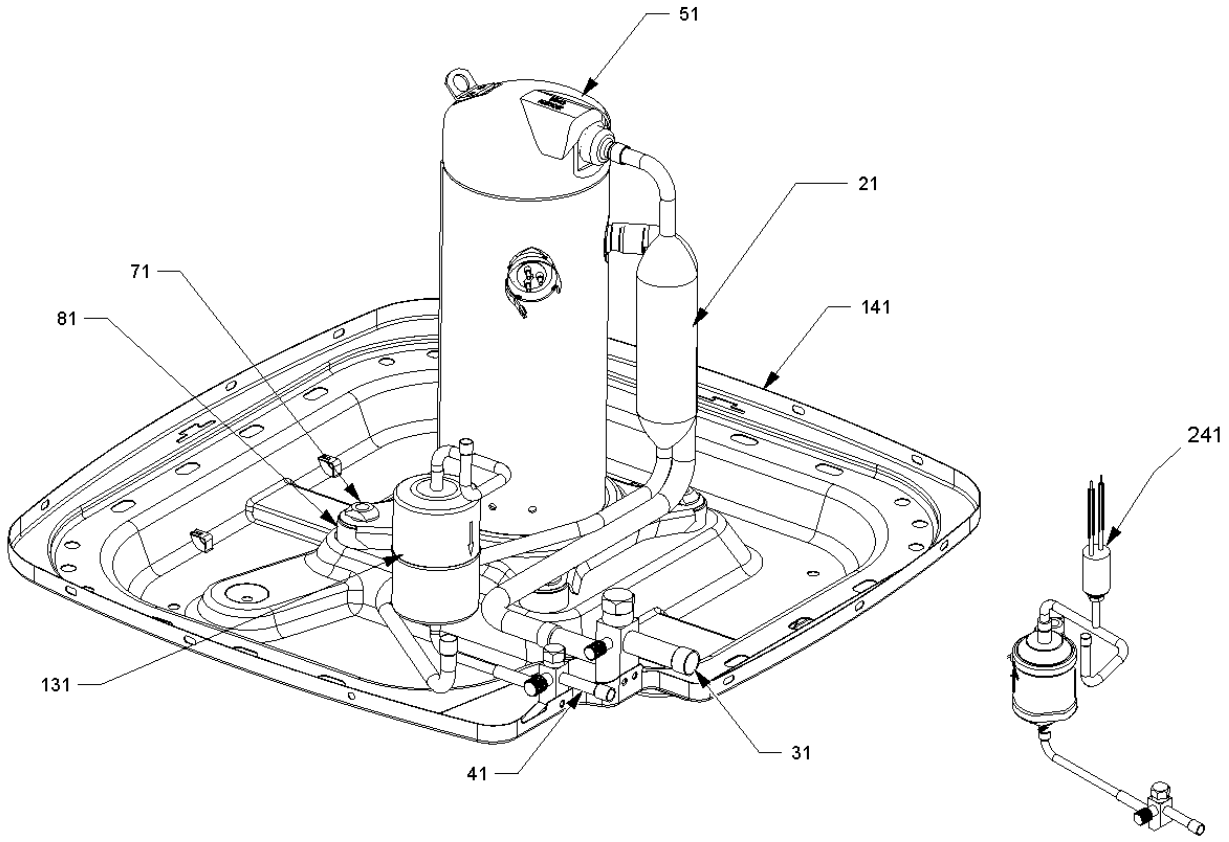


Image 2

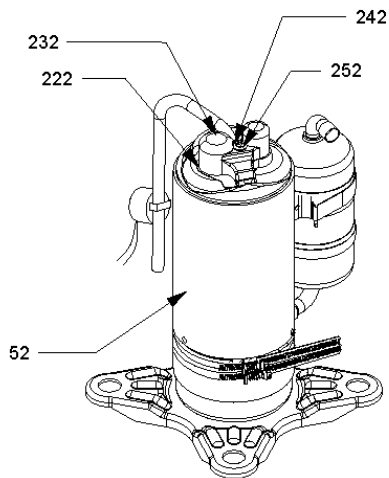
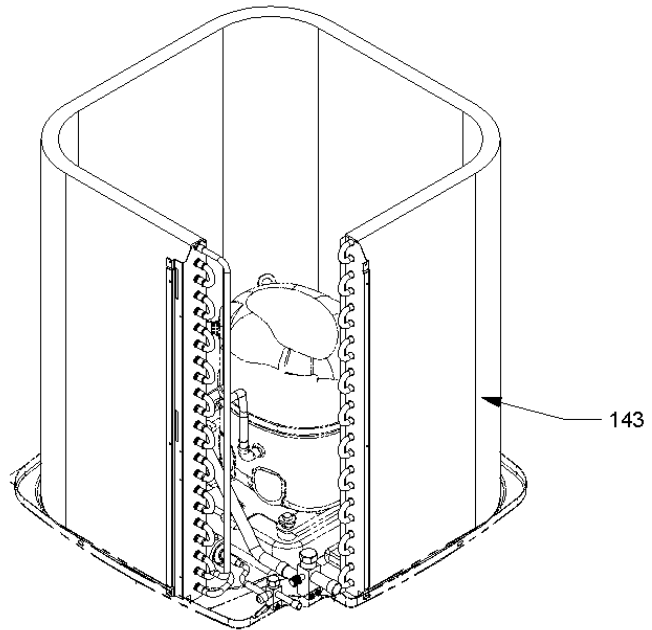


Image 3



Compressor / Tubing Assembly/Condenser

Ref. Part No: No:	Description:	Ref. Part No: No:	Description:
Image 1:		Image 3:	
21	B1219301	MUFFLER 1/2 X 1/2 (M28)	
31	0151R00079	BASE VALVE 3/4" (M1, M2, M3, M4, M5, M6, M7, M8, M9, M10, M11, M12, M13, M14, M15, M16, M17, M18, M19, M20)	143 0201R00242S COIL TUBING ASSY (M21, M22, M23, M24, M25, M26, M27, M28)
31	0151R00080	BASE VALVE 7/8" (M21, M22, M23, M24, M25, M26, M27, M28, M29, M30)	143 0201R00268 COIL TUBING ASSY (M1, M2, M8)
41	0151R00078	BASE VALVE 3/8" (M1, M2, M3, M4, M5, M6, M7, M8, M9, M11, M12, M13, M16, M17, M18, M19, M20, M21, M22, M23, M24, M25, M26, M27, M28, M29, M30)	143 0201R00328 COIL TUBING ASSY (M9)
51	760051-2001-22	BRISTOL COMPRESSOR (M28)	143 0201R00383 COIL TUBING ASSY (M10, M14)
51	ZP24K5EPFV130	COMP,24000,208/230/60/1 (M11, M12, M13, M14, M15)	143 0201R00389 COIL TUBING ASSY (M3)
51	ZP29K5EPFV130	COMP,29000,208/230/60/1 (M16, M17, M18, M19, M20)	143 0201R00391 COIL TUBING ASSY (M18)
51	ZP49K5EPFV130	COMP,49400,208/230/60/1 (M29, M30)	143 0201R00409 COIL TUBING ASSY (M4, M5, M6, M15)
51	5KS150FAB21	COMPRESSOR 14600, 208/230/60/1 (M2, M3)	143 0201R00453 COIL TUBING ASSY (M7)
51	ZP16K5EPFV130	COMPRESSOR 15500, 208/230/60/1 (M1)	143 0201R00463 COIL TUBING ASSY (M29, M30)
51	ZP20K5EPFV130	COMPRESSOR 20000, 208/230/60/1 (M8, M9, M10)	143 0201R00492 COIL TUBING ASSY (M13, M20)
51	ZP34K5EPFV130	COMPRESSOR 34500, 208/230/60/1 (M21, M22, M23)	143 0201R00271 TUBING ASSY, COND COIL (M11, M12, M19)
51	ZP39K5EPFV130	COMPRESSOR 39000, 208/230/60/1 (M25, M26, M27)	143 0201R00272 TUBING ASSY, COND COIL (M16, M17)
51	760024-2001-20	COMPRESSOR BRISTOL (M24)	
71	0163M00186	SCREW-SHOULDER TF (M4, M5, M6, M7)	
71	M0221641	TF SHOULDER SCREW (M1, M2, M3, M8, M9, M10, M11, M12, M13, M14, M15, M16, M17, M18, M19, M20, M21, M22, M23, M24, M25, M26, M27, M28, M29, M30)	
81	B1339533	COMPRESSOR GROMMET (M1, M8, M9, M10, M11, M12, M13, M14, M15, M16, M17, M18, M19, M20, M21, M22, M23, M24, M25, M26, M27, M28, M29, M30)	
81	60140209	GROMMET - RECHI COMPRESSOR (M4, M5, M6, M7)	
131	0162R00009	FILTER DRIER	
141	0121R00005PBB	BASE PAN 26" (M1, M2, M8, M9, M11, M12, M13, M19, M20)	
141	0121R00006PBB	BASE PAN 29" (M16, M17, M21, M22, M23, M24, M25, M26, M27, M28, M29, M30)	
141	0121R00272	BASE PAN, 23" (M3, M4, M5, M6, M7, M10, M14, M15, M18)	
241	0130M00089	CUT-OUT SWITCH, HIGH PRESSURE (M4, M5, M6, M7)	
NS	0159R00000P	COMPRESSOR SCROLL HARNESS (M1, M8, M9, M10, M11, M12, M13, M14, M15, M18, M19, M20)	
NS	0159R00001P	COMPRESSOR SCROLL HARNESS (M16, M17, M21, M22, M23, M26, M27, M29, M30)	
NS	0159R00002P	COMPRESSOR SCROLL HARNESS (M25)	
NS	0130M00028	TERMINAL COVER (M2, M3)	
Image 2:		Expanded Model Nomenclature	
52	50N382XV-5AKM	1.5 Rechi Compressor (M4, M6, M7)	M1 - VSX130181AA
52	50N382XV-ZAKM	1.5T RECHI ROTARY COMPRESSOR (M5)	M2 - VSX130181BA
222	60100107	TERMINAL COVER GASKET (M4, M5, M6, M7)	M3 - VSX130181DA
232	60100317	TERMINAL COVER (M4, M5, M6, M7)	M4 - VSX130181EA
242	60100401	TERMINAL NUT - RECHI COMP (M4, M5, M6, M7)	M5 - VSX130181EB
252	60100201	WASHER - RECHI COMPRESSOR (M4, M5, M6, M7)	M6 - VSX130181ED
			M7 - VSX130181EF
			M8 - VSX130241AA
			M9 - VSX130241BA
			M10 - VSX130241DA
			M11 - VSX130301AA
			M12 - VSX130301AB
			M13 - VSX130301AC
			M14 - VSX130301DA
			M15 - VSX130301DB
			M16 - VSX130361AA
			M17 - VSX130361BA
			M18 - VSX130361DA
			M19 - VSX130361EA
			M20 - VSX130361EB
			M21 - VSX130421AA
			M22 - VSX130421AB
			M23 - VSX130421AC
			M24 - VSX130421BA
			M25 - VSX130481AA
			M26 - VSX130481AB
			M27 - VSX130481AC
			M28 - VSX130481BA
			M29 - VSX130601BA
			M30 - VSX130601BB

Cabinet Top / Side Panels

Image 1

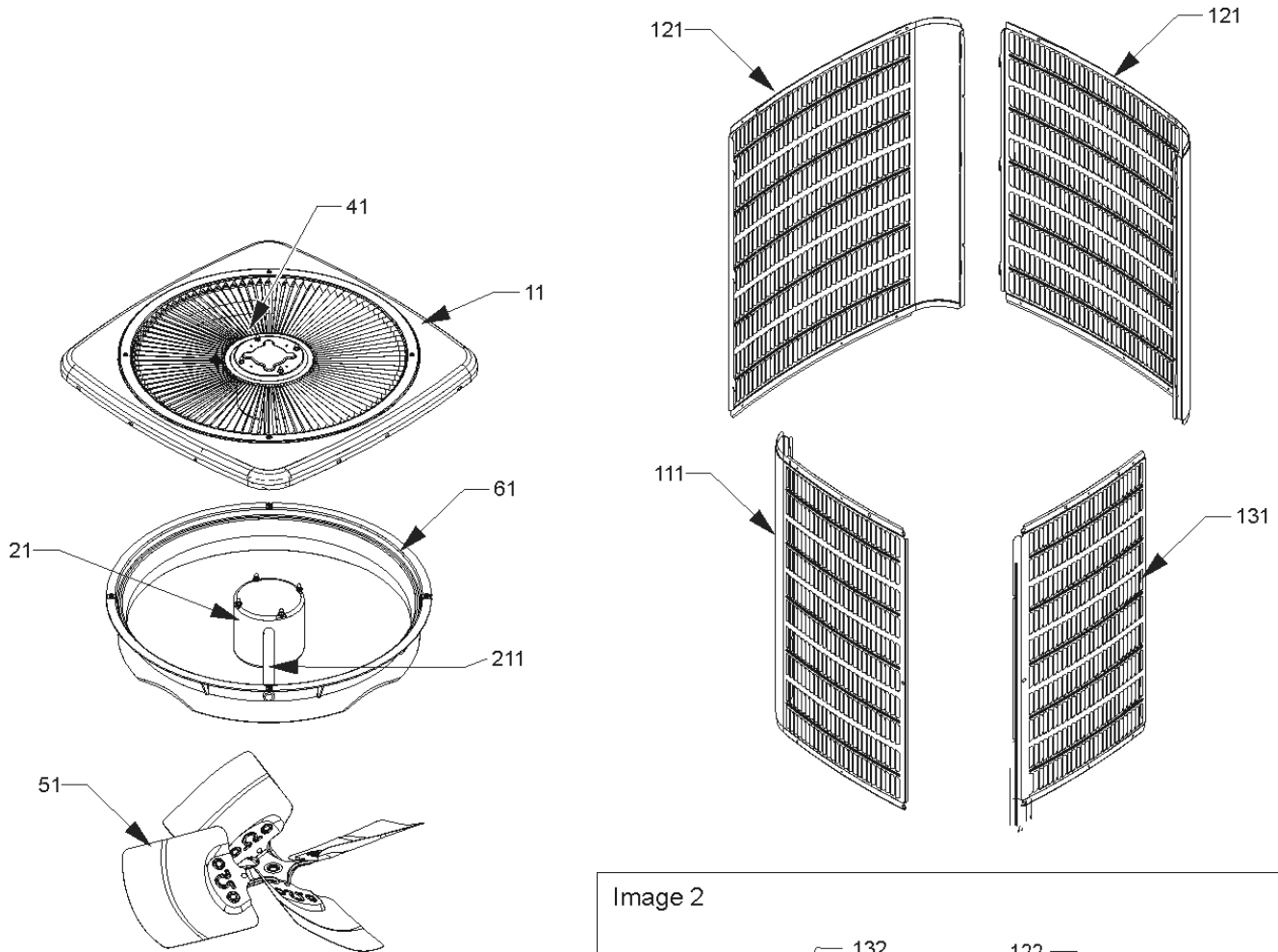
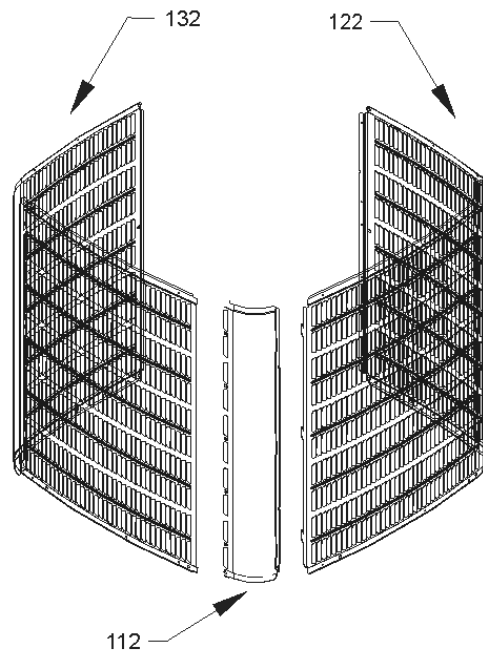


Image 2



Cabinet Top / Side Panels

Ref. Part No: No:	Description:	Ref. Part No: No:	Description:
Image 1:		Image 2:	
11	0121R00270PBB PANEL, TOP, PNT, BB (M3, M4, M5, M6, M7, M10, M14, M15, M18)	112	0121R00354PBB Louver Post, PBB 36.30 (M30)
11	0121R00008PBB TOP PANEL 26" (M1, M2, M8, M9, M11, M12, M13, M19, M20)	112	0121R00279PBB POST, LOUVER 23_22.6, PNT BB (M3)
11	0121R00010PBB TOP PANEL 29" (M16, M17, M21, M22, M23, M24, M25, M26, M27, M28, M29, M30)	112	0121R00280PBB POST, LOUVER 23_25.2, PNT BB (M4, M5, M6, M7, M10, M14, M15)
21	0131M00018P COND MOTOR 1/4 HP, 1 SP, 6 PL (M18, M19, M20, M22, M23, M24, M26, M27, M28, M29, M30)	112	0121R00281PBB POST, LOUVER 23_30.24, PNT BB (M18)
21	0131M00061 COND MOTOR 1/4 HP, 1 SP, 8 PL (M21, M25)	122	0121R00336PBBRS Louver Panel, PBB 26"_23.73 (M13, M20)
21	0131M00060 COND MOTOR 1/6 HP, 1 SP, 8 PL (M16, M17)	122	0121R00344PBBRS Louver Panel, PBB 29"_32.51 (M23, M27)
21	0131M00266 COND MOTOR 1/8 HP, 8 PL, PSC (M1, M2, M8, M9, M11)	122	0121R00346PBBRS Louver Panel, PBB 29"_36.30 (M30)
21	0131M00276 COND MOTOR, 1/8 HP, ISP, 6PL (M3, M4, M5, M6, M10, M14, M15)	122	0121R00273PBBR PANEL, LOUVER 23_22.6, PNT BB (M3)
21	0131M00593 COND MOTOR, 1/8 HP, ISP, 6PL, AL (M7)	122	0121R00274PBBR PANEL, LOUVER 23_25.2, PNT BB (M4, M5, M6, M7, M10, M14, M15)
21	0131M00294 COND MOTOR, 1/8HP, ISP, 6PL (M12, M13)	122	0121R00275PBBR PANEL, LOUVER 23_30.24, PNT BB (M18)
41	0163M00006P ACORN NUT 5/16 HEX BLACK (QTY 4)	132	0121R00336PBBLS Louver Panel, PBB 26"_23.73 (M13, M20)
51	0150M00041 FAN BLADE (M19, M20)	132	0121R00344PBBLS Louver Panel, PBB 29"_32.51 (M23, M27)
51	0150M00018 FAN BLADE 20" (M1, M8, M9, M12, M13)	132	0121R00346PBBLS Louver Panel, PBB 29"_36.30 (M30)
51	0150M00012 FAN BLADE 20" CCW (M2, M11)	132	0121R00273PBBL PANEL, LOUVER 23_22.6, PNT BB (M3)
51	B1086750 FAN BLADE 22", 3 BLADE, 24° (M22, M23, M24, M26, M27, M28, M29, M30)	132	0121R00274PBBL PANEL, LOUVER 23_25.2, PNT BB (M4, M5, M6, M7, M10, M14, M15)
51	B1086764 FAN BLADE TYPE 2 (M16, M17)	132	0121R00275PBBL PANEL, LOUVER 23_30.24, PNT BB (M18)
51	B1086765 FAN BLADE TYPE 3 (M21, M25)	Expanded Model Nomenclature	
51	0150M00029 FAN BLADE, 18" (M18)	M1 - VSX130181AA	
51	0150M00030 FAN BLADE, 18" (M3, M4, M5, M6, M7, M10, M14, M15)	M2 - VSX130181BA	
61	0161L00000 VENTURI RING 22" (M16, M17, M21, M22, M23, M24, M25, M26, M27, M28, M29, M30)	M3 - VSX130181DA	
111	0121R00102PBBB LOUVERED SIDE PANEL [LT OF CNTL PNL] (M1, M2, M8, M9, M11, M12, M19)	M4 - VSX130181EA	
111	0121R00124PBBB LOUVERED SIDE PANEL [LT OF CNTL PNL] (M16, M17)	M5 - VSX130181EB	
111	0121R00127PBBB LOUVERED SIDE PANEL [LT OF CNTL PNL] (M21, M22, M24, M25, M26, M28)	M6 - VSX130181ED	
111	0121R00175PBBB LOUVERED SIDE PANEL [LT OF CNTL PNL] (M29)	M7 - VSX130181EF	
121	0121R00131PBBB LOUVERED SIDE PANEL (M16, M17)	M8 - VSX130241AA	
121	0121R00134PBBB LOUVERED SIDE PANEL (M21, M22, M24, M25, M26, M28)	M9 - VSX130241BA	
121	0121R00176PBBB LOUVERED SIDE PANEL (M29)	M10 - VSX130241DA	
121	0121R00109PBBB LOUVERED SIDE PANEL-VERTICAL (M1, M2, M8, M9, M11, M12, M19)	M11 - VSX130301AA	
131	0121R00116PBB LOUVERED SIDE PANEL [RT OF CNTL PNL] (M1, M2, M8, M9, M11, M12, M19)	M12 - VSX130301AB	
131	0121R00138PBB LOUVERED SIDE PANEL [RT OF CNTL PNL] (M16, M17)	M13 - VSX130301AC	
131	0121R00141PBB LOUVERED SIDE PANEL [RT OF CNTL PNL] (M21, M22, M24, M25, M26, M28)	M14 - VSX130301DA	
131	0121R00177PBB LOUVERED SIDE PANEL [RT OF CNTL PNL] (M29)	M15 - VSX130301DB	
211	0161R00001P CONDUIT (M1, M2, M8, M9, M11, M12, M13, M19, M20)	M16 - VSX130361AA	
211	0161R00002P CONDUIT (M16, M17, M21, M22, M23, M24, M25, M26, M27, M28, M29, M30)	M17 - VSX130361BA	
211	0161R00032 conduit (M3, M4, M5, M6, M7, M10, M14, M15, M18)	M18 - VSX130361DA	
112	0121R00347PBB Louver Post, PBB 23.73 (M13, M20)	M19 - VSX130361EA	
112	0121R00352PBB Louver Post, PBB 32.51 (M23, M27)	M20 - VSX130361EB	
		M21 - VSX130421AA	
		M22 - VSX130421AB	
		M23 - VSX130421AC	
		M24 - VSX130421BA	
		M25 - VSX130481AA	
		M26 - VSX130481AB	
		M27 - VSX130481AC	
		M28 - VSX130481BA	
		M29 - VSX130601BA	
		M30 - VSX130601BB	