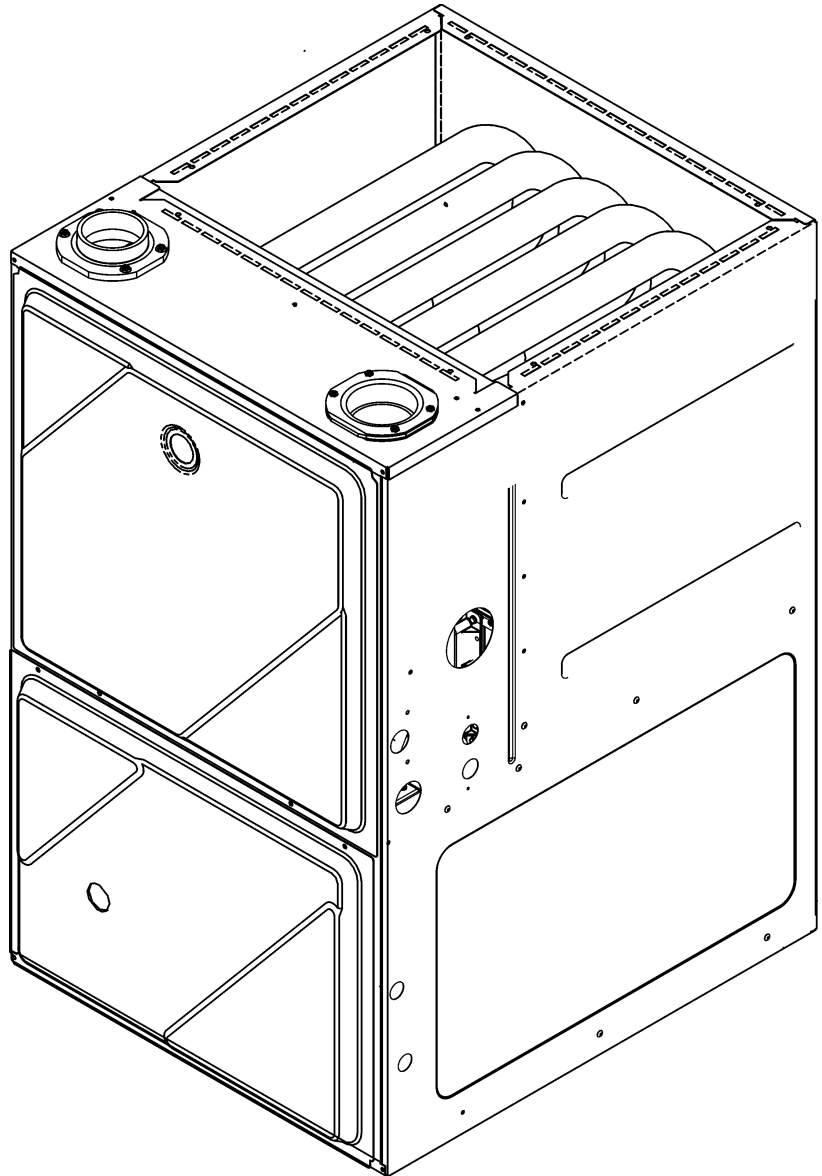


REPAIR PARTS

VMSS 96% Single Stage UpFlow Furnace

VMSS960403ANAA
VMSS960603BNAA
VMSS960803BNAA
VMSS960804CNAA
VMSS961005CNAA



This manual is to be used by qualified technicians only.

This manual replaces RP-2303.

© 2017 Goodman Manufacturing Company, L.P. ♦ 5151 San Felipe St., Suite 500 ♦ Houston, TX 77056

Functional Parts

Part

No: Description:

20162904	*PRIMARY LIMIT-TEMPERATURE CONTROL (M3, M5) *Refer to service bulletin SF-054
0163F00017	BECKETT-BURNER (QTY 2)
0271F00182	BLOWER HSG ASSY (M4)
0271F00181	BLOWER HSG ASSY (M2, M3)
0271F00330	BLOWER HSG ASSY. (M1)
0271F00161	BLOWER SHELL & WHEEL ASSY (M5)
B1368053	BLOWER WHEEL 11 X 6 CW (M1)
CAP125000370LA	CAPACITOR 12.5/370V (M1, M2)
CAP150000370LA	CAPACITOR 15/370V (M5)
CAP200000370LA	CAPACITOR 20/370V (M3, M4)
0130F00010	FLAME SENSOR
0151M00037	GAS VALVE
0257F00240	HEAT EXCHANGER ASSY (M4)
0257F00280	HEAT EXCHANGER ASSY (M5)
0257F00374	HEAT EXCHANGER ASSY (M2)
0257F00379	HEAT EXCHANGER ASSY (M3)
0257F00446	HEAT EXCHANGER ASSY (M1)
0130F00008	IGNITOR-SINI 17 SEC
0130M00243	INTERLOCK SWITCH
10123538	MANUAL RESET LIMIT - ROS (M3, M5)
10123539	MANUAL RESET LIMIT - ROS (M2, M4)
10123533	MANUAL RESET LIMIT - ROS (M1)
0131F00038	MOTOR, 1/2 HP (M4)
0131F00030	MOTOR, 1/2HP (M3)
0131F00027	MOTOR, 1/3HP, 4SP, 6PL (M1, M2)
0131F00031	MOTOR, 3/4 HP (M5)
PCBBF140	PCB, IGNITION CONTROL
0130F00642	PRESSURE SWITCH (M1)
20162903	PRIMARY LIMIT - BLUE (M1, M2, M4)
0130F00038	PRIMARY LIMIT - LT BLUE 120° (AUX) (QTY 2)
0130F00440	SWITCH, PRESSURE (M2)
0130F00439	SWITCH, PRESSURE (M3, M4, M5)
0150M00042	WHEEL, BLOWER (10 X 10) (M4)
0150M00043	WHEEL, BLOWER (10 X 8) (M2, M3)

Expanded Model Nomenclature

M1 - VMSS960403ANAA
M2 - VMSS960603BNAA
M3 - VMSS960803BNAA
M4 - VMSS960804CNAA
M5 - VMSS961005CNAA

Important Information

Index

Functional Parts List	3
Illustration and Parts	4 - 11

Views shown are for parts illustrations only, not servicing procedures

Text Codes:

AR - As Required

NA - Not Available

NS - Not Shown

00000000 - See Note

QTY - Quantity Example (QTY 3) (If Quantity not shown, Quantity = 1)

M - Model Example (M1) (If M Code not shown, then part is used on all Models)

Expanded Model Nomenclature:

Example M1 - Model#1 M2 - Model#2 M3 - Model#3

Goodman Manufacturing Company, L.P. is not responsible for personal injury or property damage resulting from improper service. Review all service information before beginning repairs.

Warranty service must be performed by an authorized technician, using authorized factory parts. If service is required after the warranty expires, Goodman Manufacturing Company, L.P. also recommends contacting an authorized technician and using authorized factory parts.

Goodman Manufacturing Company, L.P. reserves the right to discontinue, or change at any time, specifications or designs without notice or without incurring obligations.

For assistance within the U.S.A. contact:
Homeowner Support
Goodman Manufacturing Company, L.P.
19001 Kermier Road
Waller, Texas 77484
877-254-4729-Telephone
713-863-2382-Facsimile

For assistance outside the U.S.A. contact:
International Division
Goodman Manufacturing Company, L.P.
19001 Kermier Road
Waller, Texas 77484
713-861-2500-Telephone
713-863-2382-Facsimile

Cabinet Assembly

IMAGE 1

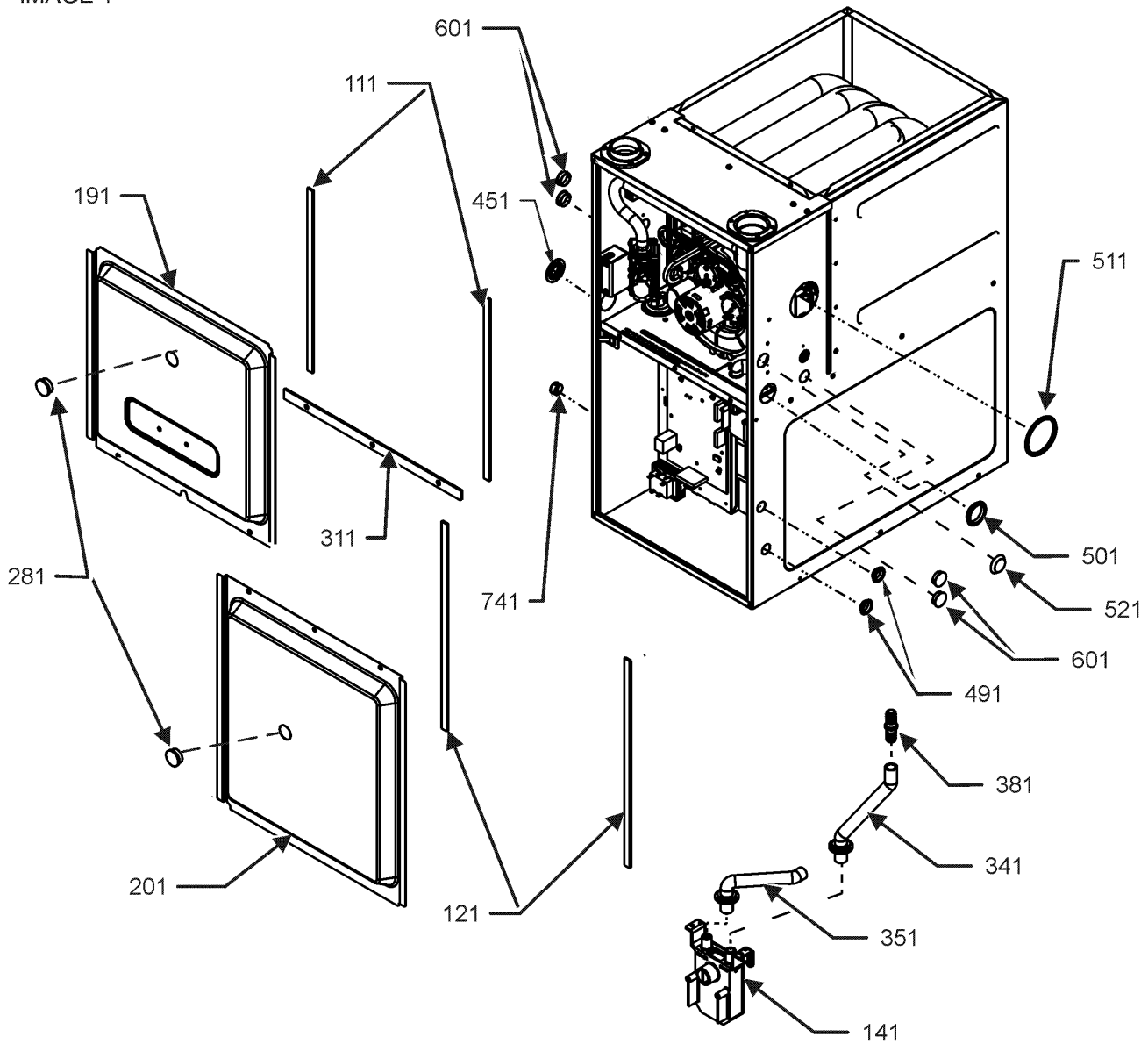
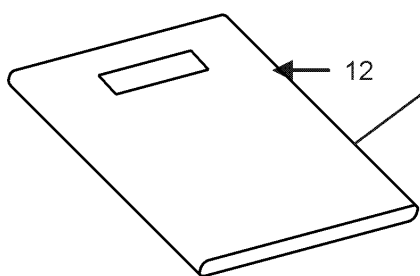
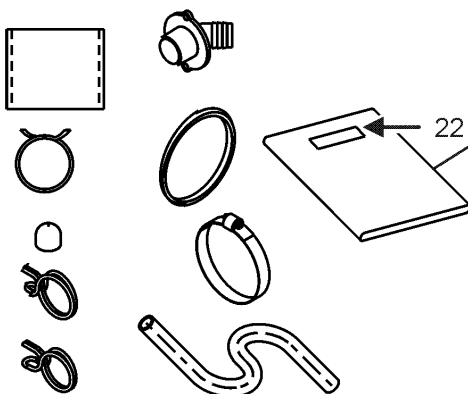


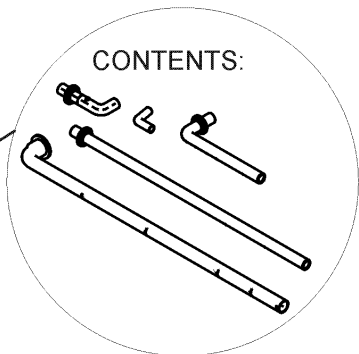
IMAGE 2



CONTENTS:



CONTENTS:



Cabinet Assembly

Ref. Part No: No:	Description:	Ref. Part No: No:	Description:
Image 1:			
111	0154F00024		GASKET (QTY 2)
121	0154F00025		GASKET (QTY 2)
141	0161F00046		DRAIN TRAP
191	0121F00674DB		DOOR ACCESS 14" (M1)
191	0121F00291DB		DOOR, ACCESS 17.5 PNT (M2, M3)
191	0121F00292DB		DOOR, ACCESS 21 PNT (M4, M5)
201	0121F00672DB		DOOR BLOWER 14" (M1)
201	0121F00288DB		DOOR, BLOWER 17.5 PNT (M2, M3)
201	0121F00289DB		DOOR, BLOWER 21 PNT (M4, M5)
281	B1392139		VIEW PORT BUSHING-BLOWER DOOR (QTY 2)
311	0154F00020		DECK GASKET (M2, M3)
311	0154F00021		DECK GASKET (M4, M5)
311	0154F00063		GASKET, DECK (M1)
341	0164F00017		HOSE-ELBOW/TRAP
351	0164F00020		DRAIN HOSE (M1)
351	0164F00006		HOSE, COVER/TRAP (M2, M3, M4, M5)
381	0161F00047		COUPLING, HOSE BARBED
451	M0501301		PIPE GROMMET
491	M0570808		BUTTON PLUG (QTY 3)
501	M0570806		BUTTON PLUG
511	M0570807		BUTTON PLUG
521	0161M00027		PLUG, HOLE (M1, M2, M3, M5)
601	B1392021		PLASTIC PLUG, 1" (2713-BLK) (QTY 4)
741	B1392104		UNIVERSAL BUSHING UB 875
NS	M0310345		BUTTON PLUG (QTY 2)
NS	0163M00049		CLAMP HOSE (QTY 2)
NS	M0209730		SCREW-DECORATIVE (QTY 3)

Image 2:

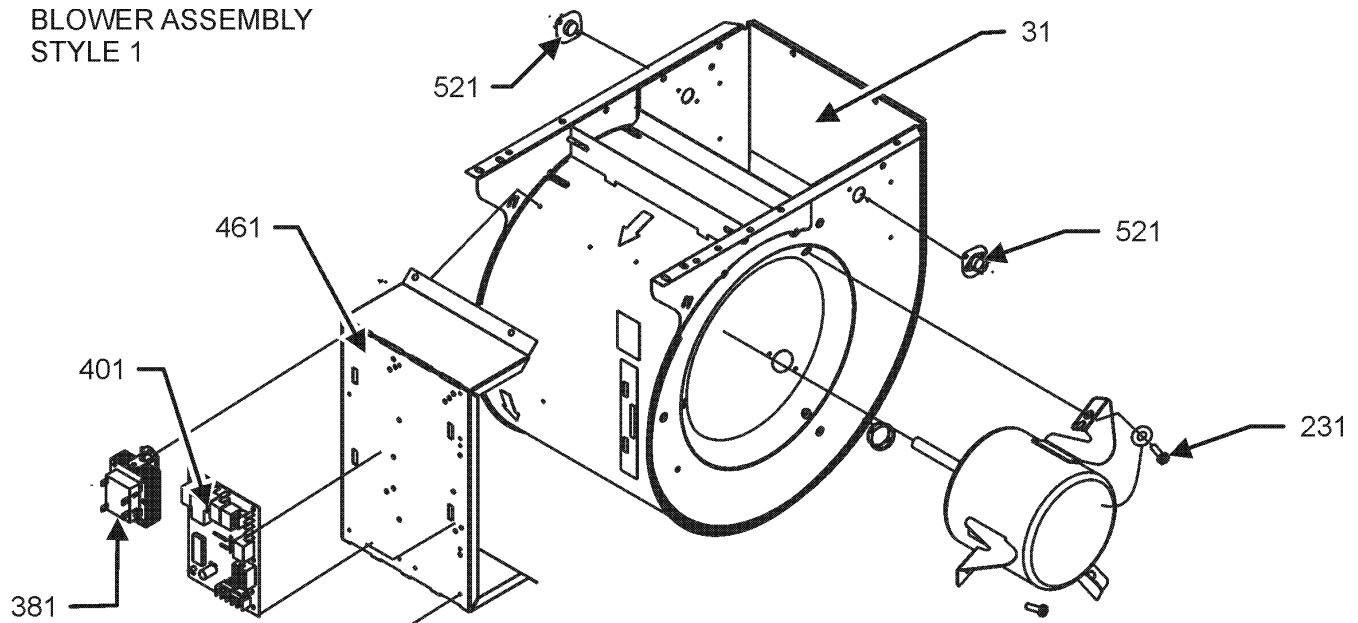
12	0270F03140	DRAIN PART BAG ASSY UF
22	0270F03667	BAG ASSY UF

Expanded Model Nomenclature

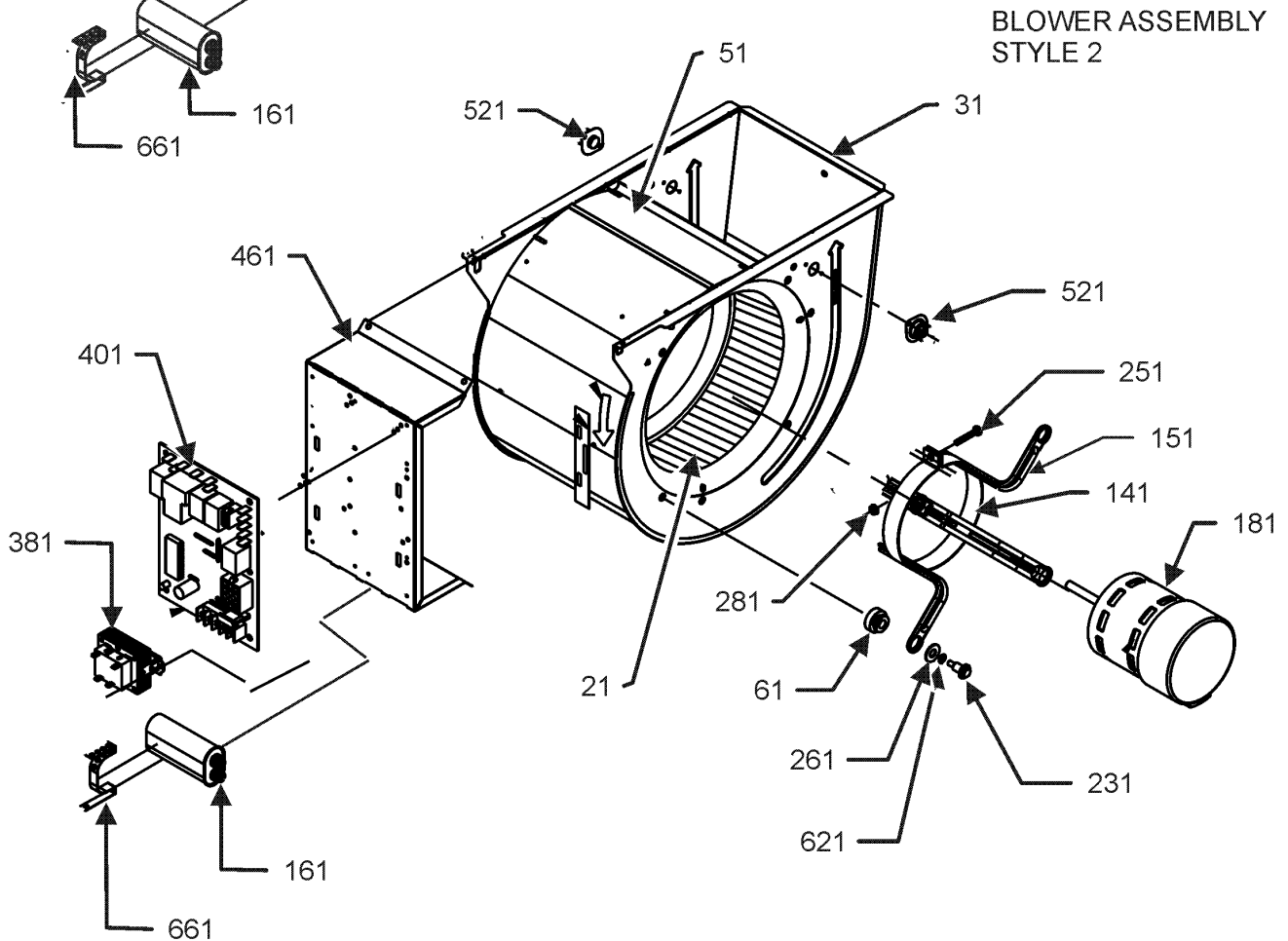
- | |
|---------------------|
| M1 - VMSS960403ANAA |
| M2 - VMSS960603BNAA |
| M3 - VMSS960803BNAA |
| M4 - VMSS960804CNAA |
| M5 - VMSS961005CNAA |

Blower Assembly

BLOWER ASSEMBLY
STYLE 1



BLOWER ASSEMBLY
STYLE 2



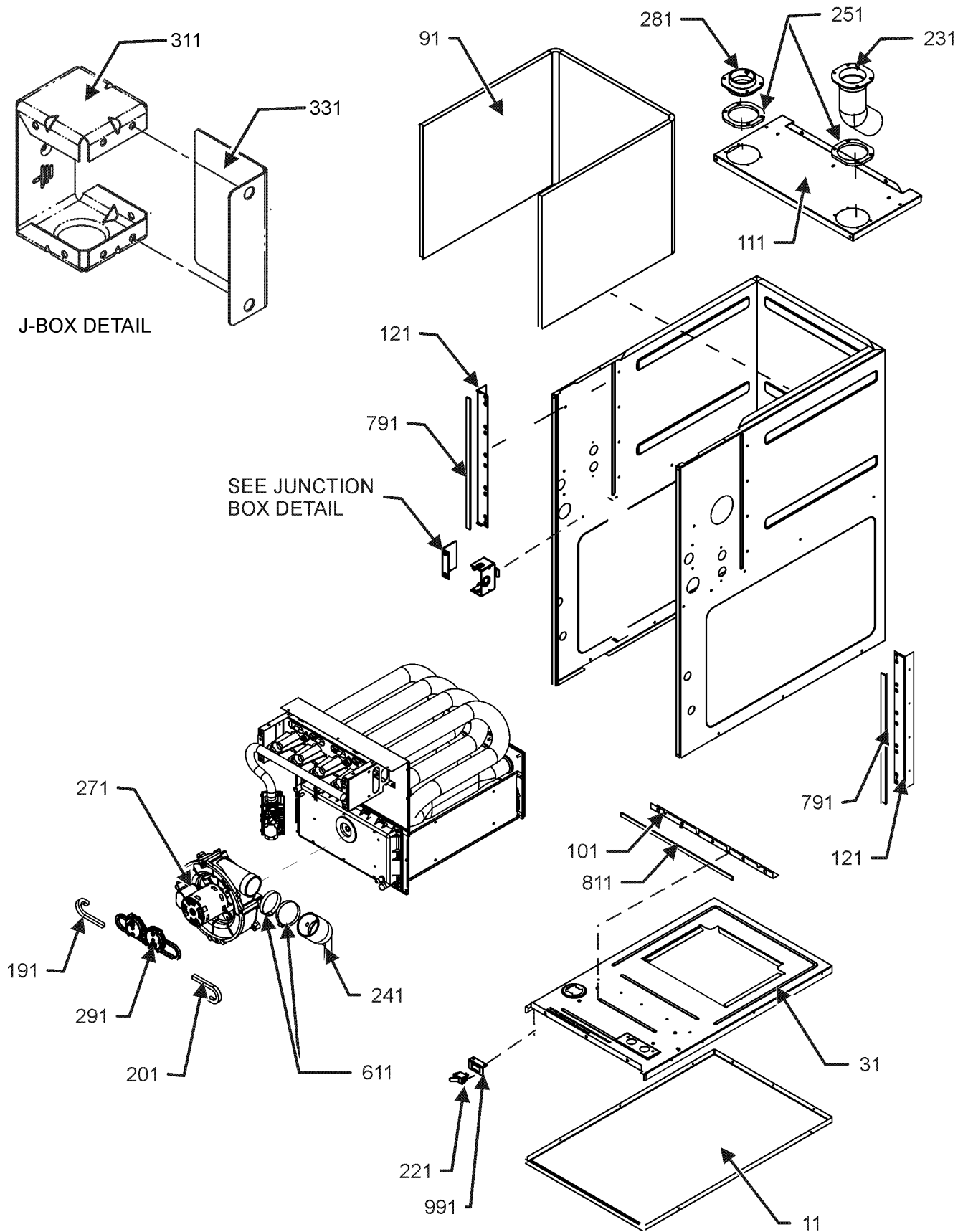
Blower Assembly

Ref. Part No:	No:	Description:	Ref. Part No:	No:	Description:
Image 1:					
21	B1368053	BLOWER WHEEL 11 X 6 CW (M1)			
21	0150M00042	WHEEL, BLOWER (10 X 10) (M4)			
21	0150M00043	WHEEL, BLOWER (10 X 8) (M2, M3)			
31	0271F00181	BLOWER HSG ASSY (M2, M3)			
31	0271F00182	BLOWER HSG ASSY (M4)			
31	0271F00330	BLOWER HSG ASSY. (M1)			
31	0271F00161	BLOWER SHELL & WHEEL ASSY (M5)			
51	764741	BLOWER BLOCK-OFF 10 X 10 (M4)			
51	764740	BLOWER BLOCK-OFF 10 X 8 (M2, M3)			
51	764739	BLOWER CUT-OFF 10 X 6 (M1)			
61	A4002702	BLOWER MOTOR GROMMET (M5)			
141	10441601	MOTOR MOUNT BAND (M5)			
151	10441501	MOTOR MOUNT ARM (M5)			
161	CAP125000370LA	CAPACITOR 12.5/370V (M1, M2)			
161	CAP150000370LA	CAPACITOR 15/370V (M5)			
161	CAP200000370LA	CAPACITOR 20/370V (M3, M4)			
181	0131F00038	MOTOR, 1/2 HP (M4)			
181	0131F00030	MOTOR, 1/2HP (M3)			
181	0131F00027	MOTOR, 1/3HP, 4SP, 6PL (M1, M2)			
181	0131F00031	MOTOR, 3/4 HP (M5)			
231	0163F00028	SCREW (M5)			
231	M0250558	TC SCREW (M1, M2, M3, M4)			
251	M0267144	MACHINE SCREW (M5)			
261	M0274008	WASHER-FLAT (M5)			
281	M0282015	KEPS NUT (M5)			
381	0130M00140	TRANSFORMER 120V TO 24V, 40VA			
401	PCBBF140	PCB, IGNITION CONTROL			
461	0121F00464	MOUNTING PLATE-CONTROLS			
521	0130F00038	PRIMARY LIMIT - LT BLUE 120° (AUX) (QTY 2)			
621	B1392820	WASHER, SPLIT LOCK 1/4 BZ (M5)			
661	20520901	CAPACITOR STRAP			
NS	B1392021	PLASTIC PLUG, 1" (2713-BLK) (QTY 4)			
NS	0259F00024	WIRE HARNESS-BLOWER			

Expanded Model Nomenclature

M1 - VMSS960403ANAA
M2 - VMSS960603BNAA
M3 - VMSS960803BNAA
M4 - VMSS960804CNAA
M5 - VMSS961005CNAA

Chassis Assembly



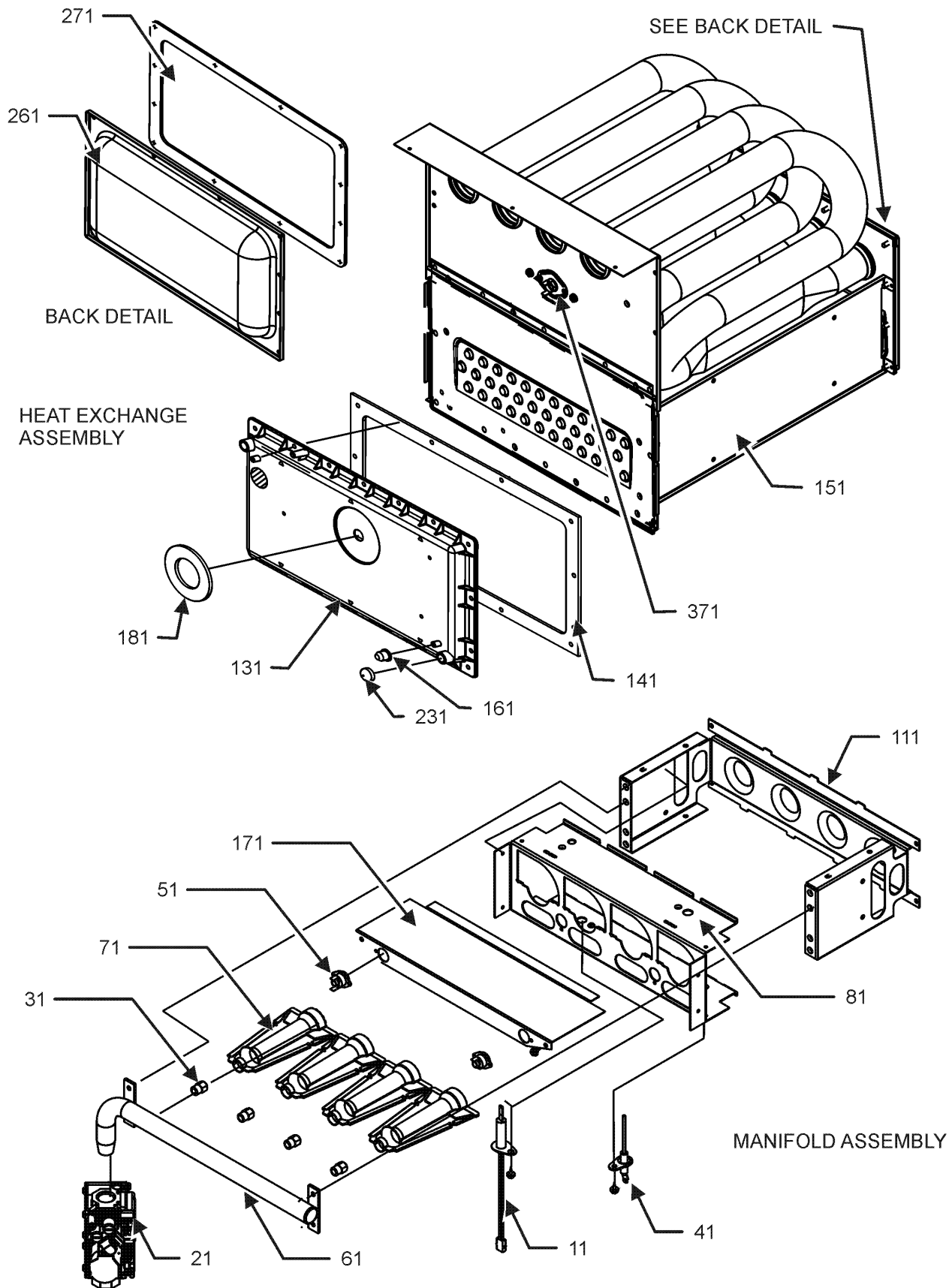
Chassis Assembly

Ref. Part No:	No:	Description:	Ref. Part No:	No:	Description:
Image 1:					
11	0121F00530DG	BASEPAN, 17.5 (M2, M3)			
11	0121F00531DG	BASEPAN, 21 PNT (M4, M5)			
11	0121F00664DG	BASEPAN,14 PNT (M1)			
31	0121F00663	DECK-BLOWER 14" (M1)			
31	0121F00533	DECK-BLOWER 17.5" (M2, M3)			
31	0121F00534	DECK-BLOWER 21" (M4, M5)			
91	0160F00025	INSULATION, HT EXCHANGER (M1)			
91	0160F00015	INSULATION, HT EXCHANGER 17.5" (M2, M3)			
91	0160F00016	INSULATION, HT EXCHANGER 21" (M4, M5)			
101	0121F00314	ANGLE, DECK (M2, M3)			
101	0121F00315	ANGLE, DECK (M4, M5)			
101	0121F00661	ANGLE, DECK (M1)			
111	0121F00662DG	PAINTED TOP, FURNACE 14" (M1)			
111	0121F00279DG	PAINTED TOP, FURNACE 17.5 (M2, M3)			
111	0121F00280DG	PAINTED TOP, FURNACE 21 (M4, M5)			
121	0121F00313	ANGLE, SIDE (QTY 2)			
191	0164M00008	PRESSURE SWITCH HOSE			
201	0164M00015	PRESSURE SWITCH HOSE			
221	0130M00243	INTERLOCK SWITCH			
231	0164F00002	FLUE PIPE W/BEND			
241	0164F00001	ELBOW-FLUE, UPFLOW			
251	0154F00041	FRESH AIR GASKET			
271	0171M00001	MOTOR-ID, BLOWER (M2, M3, M4, M5)			
271	0171M00008	MOTOR-ID, BLOWER (M1)			
281	0161F00037	COUPLING			
291	0130F00642	PRESSURE SWITCH (M1)			
291	0130F00439	SWITCH, PRESSURE (M3, M4, M5)			
291	0130F00440	SWITCH, PRESSURE (M2)			
311	0161F00042	JUNCTION BOX PLA			
331	0161F00043	JUNCTION BOX LID			
611	0163M00049	HOSE CLAMP (QTY 2)			
791	0154F00015	GASKET (QTY 2)			
811	0154F00014	GASKET (M2, M3)			
811	0154F00016	GASKET (M4, M5)			
811	0154F00064	GASKET (M1)			
991	0121F00389	BRACKET, DOOR SWITCH			
NS	0159F00067	HARNESS, WIRING (M4, M5)			
NS	0159F00070	HARNESS, WIRING (M1, M2, M3)			
NS	M0326804	TUBE PLUG			

Expanded Model Nomenclature

M1 - VMSS960403ANAA
M2 - VMSS960603BNAA
M3 - VMSS960803BNAA
M4 - VMSS960804CNAA
M5 - VMSS961005CNAA

Heat Exchange Assembly



Heat Exchange Assembly

Ref. Part No: No:	Description:	Ref. Part No: No:	Description:
Image 1:		Image 1:	
11	0130F00008	IGNITOR-SINI 17 SEC	
21	0151M00037	GAS VALVE	
31	10716005	ORIFICE (QTY 2)	
41	0130F00010	FLAME SENSOR	
51	10123533	MANUAL RESET LIMIT - ROS (M1)	
51	10123538	MANUAL RESET LIMIT - ROS (M3, M5)	
51	10123539	MANUAL RESET LIMIT - ROS (M2, M4)	
61	0163F00007	MANIFOLD (M1)	
61	0163F00008	MANIFOLD (M2)	
61	0163F00009	MANIFOLD (M4)	
61	0163F00010	MANIFOLD (M5)	
61	0163F00014	MANIFOLD (M3)	
71	0163F00017	BECKETT-BURNER (QTY 2)	
81	0121F00456	BRACKET-BURNER 2 (M1)	
81	0121F00455	BRACKET-BURNER 3 (M2)	
81	0121F00454	BRACKET-BURNER 4 (M3, M4)	
81	0121F00453	BRACKET-BURNER 5 (M5)	
111	0121F00469	ORIFICE BRACKET-BURNER 2 (M1)	
111	0121F00468	ORIFICE BRACKET-BURNER 3 (M2)	
111	0121F00467	ORIFICE BRACKET-BURNER 4 (M3, M4)	
111	0121F00466	ORIFICE BRACKET-BURNER 5 (M5)	
131	0161F00080	COVER, FRONT (M1)	
131	0161F00024	FRONT COVER (M3)	
131	0161F00026	FRONT COVER (M5)	
131	0161F00030	FRONT COVER (M4)	
131	0161F00054	FRONT COVER (M2)	
141	0154F00026	GASKET FRONT COVER (M2, M3)	
141	0154F00030	GASKET FRONT COVER (M4, M5)	
141	0154F00062	GASKET FRONT COVER (M1)	
151	0257F00240	HEAT EXCHANGER ASSY (M4)	
151	0257F00280	HEAT EXCHANGER ASSY (M5)	
151	0257F00374	HEAT EXCHANGER ASSY (M2)	
151	0257F00379	HEAT EXCHANGER ASSY (M3)	
151	0257F00446	HEAT EXCHANGER ASSY (M1)	
161	M0326804	TUBE PLUG	
171	0121F00539	SHEILD, BURNER (M1)	
171	0121F00540	SHEILD, BURNER (M2)	
171	0121F00541	SHEILD, BURNER (M3, M4)	
171	0121F00542	SHEILD, BURNER (M5)	
181	0154F00043	GASKET ID BLOWER	
231	A1781105	CAP-VINYL .500	
261	0121F00317	COVER, REAR (M2, M3)	
261	0121F00318	COVER, REAR (M4, M5)	
261	0121F00670	COVER, REAR (M1)	
271	0154F00037	GASKET, REAR CVR (M2, M3)	
271	0154F00038	GASKET, REAR CVR (M4, M5)	
271	0154F00058	GASKET, REAR CVR (M1)	
371	20162904	*PRIMARY LIMIT-TEMPERATURE CONTROL (M3, M5)	
		*Refer to service bulletin SF-054	
371	20162903	PRIMARY LIMIT - BLUE (M1, M2, M4)	
NS	0121F00582	INSULATION, RETAINER (M1)	
NS	0121F00583	INSULATION, RETAINER (M2, M3)	
		Expanded Model Nomenclature	
		M1 - VMSS960403ANAA M2 - VMSS960603BNAA M3 - VMSS960803BNAA M4 - VMSS960804CNAA M5 - VMSS961005CNAA	