

REPAIR PARTS

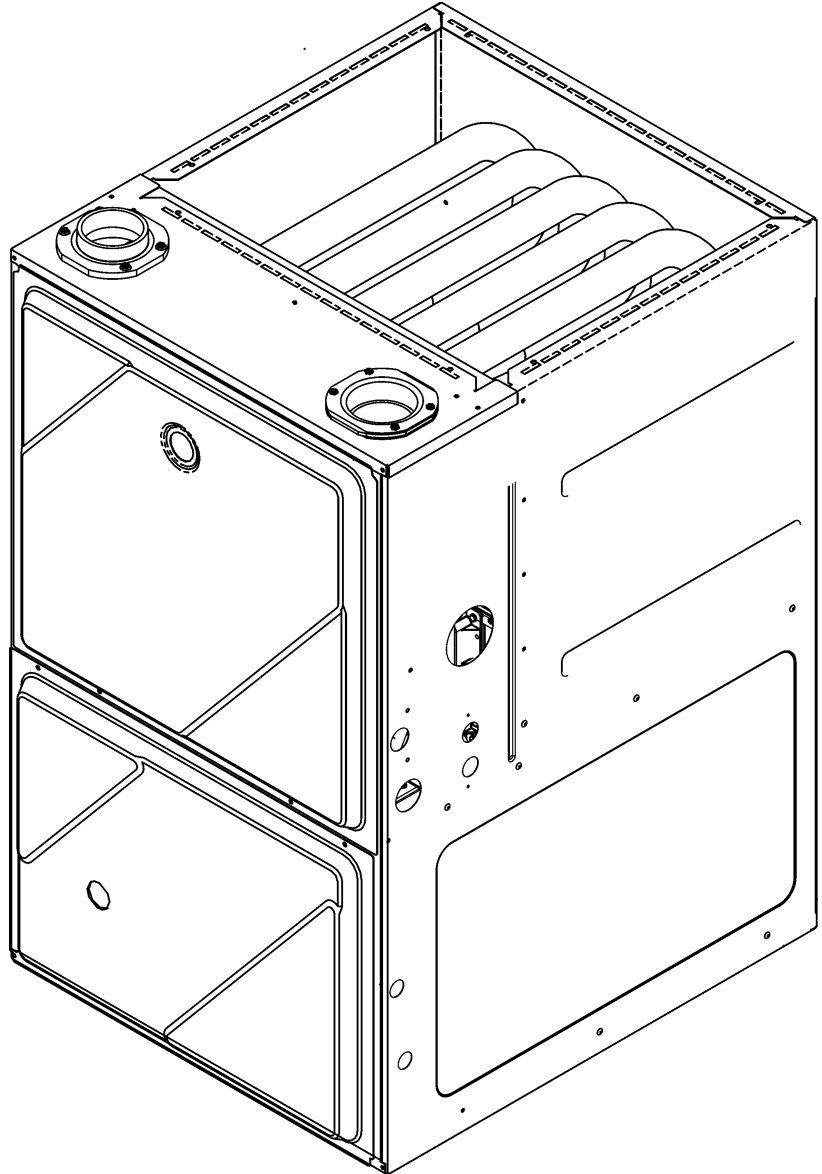
VCSS 96% Single Stage DownFlow Furnace

VCSS960402BNAA

VCSS960603BNAA

VCSS960804CNAA

VCSS961005CNAA



This manual is to be used by qualified technicians only.

© 2017 Goodman Manufacturing Company, L.P. ♦ 5151 San Felipe St., Suite 500 ♦ Houston, TX 77056

Important Information

Index

Functional Parts List	3
Illustration and Parts	4 - 11

Views shown are for parts illustrations only, not servicing procedures

Text Codes:

AR - As Required

NA - Not Available

NS - Not Shown

00000000 - See Note

QTY - Quantity Example (QTY 3) (If Quantity not shown, Quantity = 1)

M - Model Example (M1) (If M Code not shown, then part is used on all Models)

Expanded Model Nomenclature:

Example M1 - Model#1 M2 - Model#2 M3 - Model#3

Goodman Manufacturing Company, L.P. is not responsible for personal injury or property damage resulting from improper service. Review all service information before beginning repairs.

Warranty service must be performed by an authorized technician, using authorized factory parts. If service is required after the warranty expires, Goodman Manufacturing Company, L.P. also recommends contacting an authorized technician and using authorized factory parts.

Goodman Manufacturing Company, L.P. reserves the right to discontinue, or change at any time, specifications or designs without notice or without incurring obligations.

For assistance within the U.S.A. contact:
Homeowner Support
Goodman Manufacturing Company, L.P.
19001 Kermier Road
Waller, Texas 77484
877-254-4729-Telephone
713-863-2382-Facsimile

For assistance outside the U.S.A. contact:
International Division
Goodman Manufacturing Company, L.P.
19001 Kermier Road
Waller, Texas 77484
713-861-2500-Telephone
713-863-2382-Facsimile

Functional Parts

Part

No: Description:

0163F00017	BECKETT BURNER (QTY 2)
0271F00181	BLOWER HSG ASSY (M1, M2)
0271F00182	BLOWER HSG ASSY (M3)
0271F00161	BLOWER SHELL & WHEEL ASSY (M4)
CAP125000370LA	CAPACITOR 12.5/370V (M1, M2)
CAP150000370LA	CAPACITOR 15/370V (M4)
CAP200000370LA	CAPACITOR 20/370V (M3)
0130F00010	FLAME SENSOR
0151M00037	GAS VALVE
0257F00360	HEAT EXCHANGER ASSY (M4)
0257F00359	HEAT EXCHANGER ASSY (M3)
0257F00358	HEAT EXCHANGER ASSY (M2)
0257F00285	HEAT EXCHANGER ASSY (M1)
0130F00008	IGNITOR-SINI 17 SEC
0130F00123	MANUAL RESET LIMIT (M1, M2)
10123534	MANUAL RESET LIMIT 220°F (M3)
10123539	MANUAL RESET LIMIT-ORANGE (M4)
0131F00038	MOTOR, 1/2 HP (M3)
0131F00027	MOTOR, 1/3HP, 4SP, 6PL (M1, M2)
0131F00031	MOTOR, 3/4 HP (M4)
0171M00001	MOTOR-ID, BLOWER
PCBBF140	PCB, IGNITION CONTROL
0130F00071	PRESSURE LIMIT SWITCH (M3)
20162901	PRESSURE LIMIT-RED (M1, M2)
20162903	PRIMARY LIMIT - BLUE (M4)
0130F00038	PRIMARY LIMIT - LT BLUE 120° (AUX) (QTY 2)
0130M00243	SWITCH, INTERLOCK
0130F00447	SWITCH, PRESSURE (M1)
0130F00439	SWITCH, PRESSURE (M2, M3, M4)
0150M00042	WHEEL, BLOWER (10 X 10) (M3)
0150M00043	WHEEL, BLOWER (10 X 8) (M1, M2)

Expanded Model Nomenclature

M1 - VCSS960402BNAA
M2 - VCSS960603BNAA
M3 - VCSS960804CNAA
M4 - VCSS961005CNAA

Cabinet Assembly

IMAGE 1

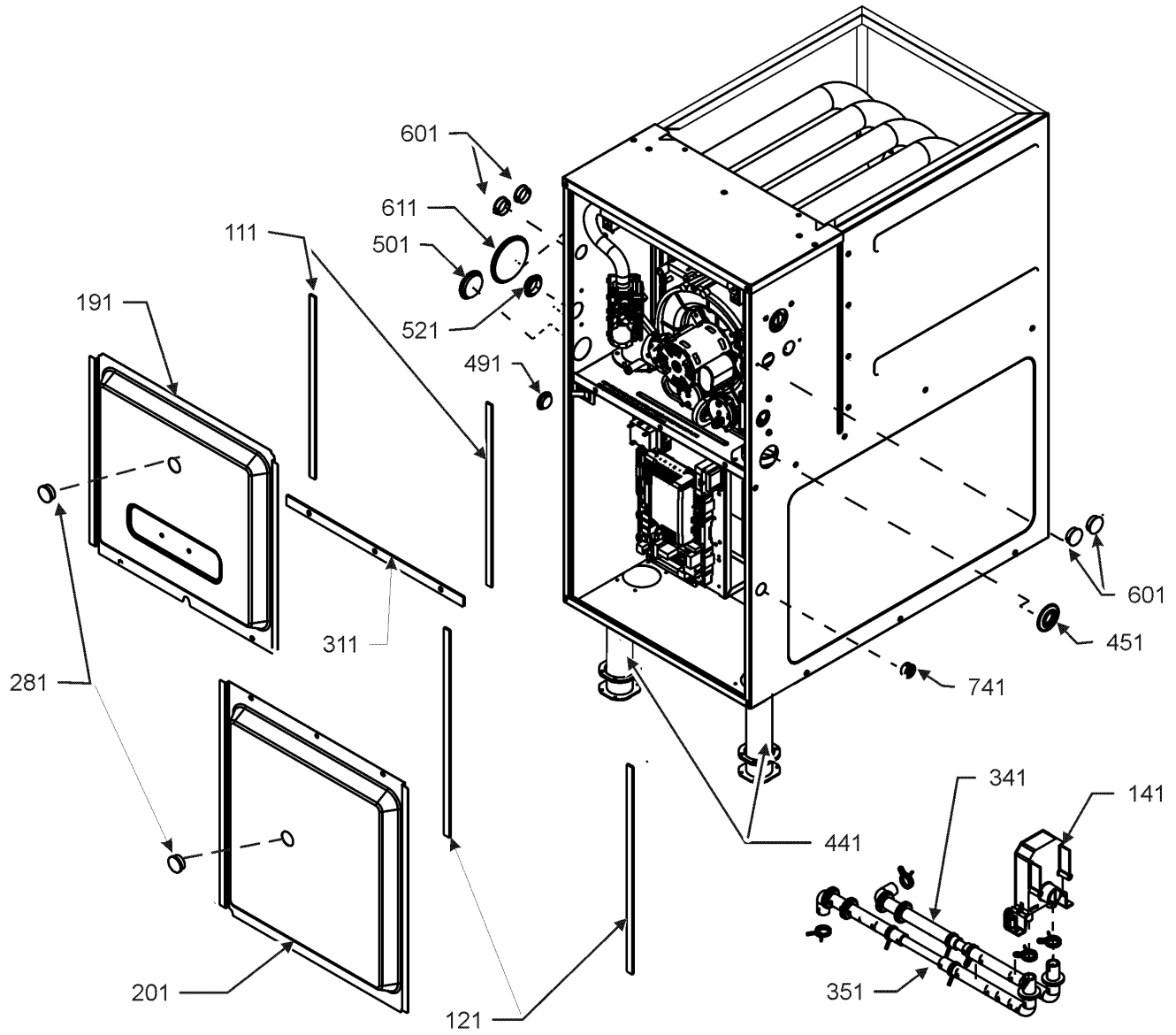
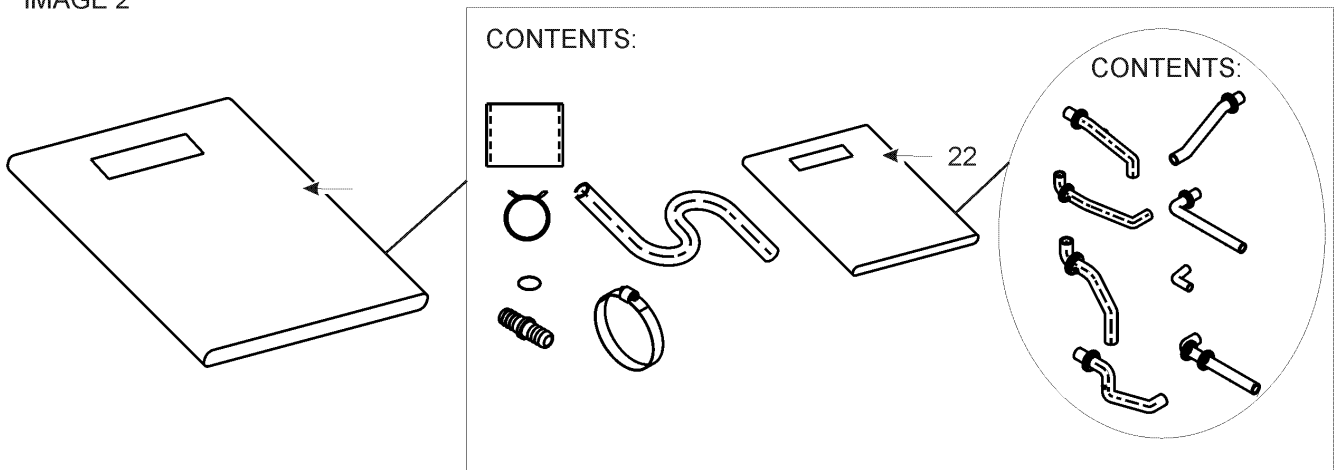


IMAGE 2



Cabinet Assembly

Ref. Part No: No:	Description:	Ref. Part No: No:	Description:
-------------------	--------------	-------------------	--------------

Image 1:

111	0154F00024	GASKET (QTY 2)
121	0154F00025	GASKET (QTY 2)
141	0161F00046	DRAIN TRAP
191	0121F00291DB	DOOR, ACCESS 17.5 PNT (M1, M2)
191	0121F00292DB	DOOR, ACCESS 21 PNT (M3, M4)
201	0121F00288DB	DOOR, BLOWER 17.5 PNT (M1, M2)
201	0121F00289DB	DOOR, BLOWER 21 PNT (M3, M4)
281	B1392139	VIEW PORT BUSHING-BLOWER DOOR (QTY 2)
311	0154F00020	DECK GASKET (M1, M2)
311	0154F00021	DECK GASKET (M3, M4)
341	0270F03125	CF DRAIN TUBE ASSY (M1, M2)
341	0270F03515	CF DRAIN TUBE ASSY (M3, M4)
351	0270F03126	CF DRAIN TUBE ASSY (M3, M4)
351	0270F03514	CF DRAIN TUBE ASSY (M1, M2)
441	0161F00064	PIPE, STRAIGHT CF (QTY 2)
451	M0501301	PIPE GROMMET
491	M0570808	BUTTON PLUG (M2, M3, M4)
501	M0570806	BUTTON PLUG (M2, M3, M4)
521	0161M00027	HOLE PLUG
601	B1392021	PLASTIC PLUG, 1" (2713-BLK) (QTY 4)
611	0163M00049	HOSE CLAMP (QTY 2)
741	B1392104	UNIVERSAL BUSHING UB 875
NS	M0310345	BUTTON PLUG (QTY 2)
NS	M0570807	BUTTON PLUG
NS	M0209730	DECORATIVE SCREW (QTY 3)

Image 2:

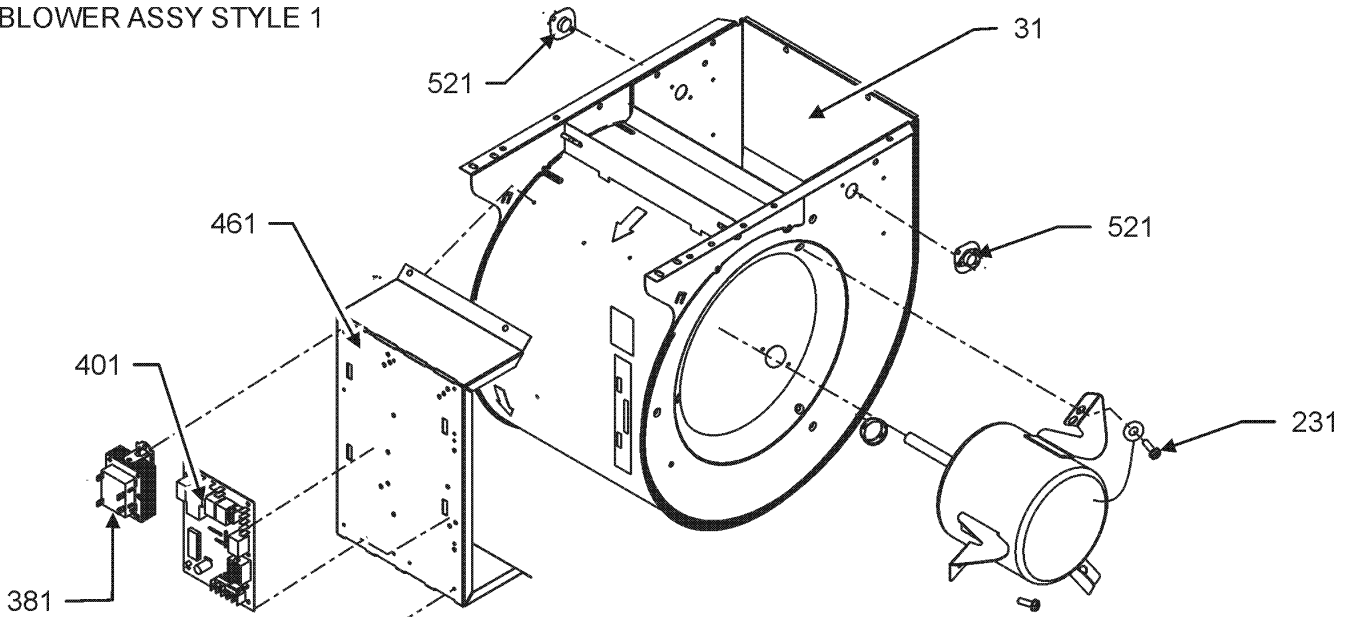
12	0270F03141	DRAIN PART BAG ASSY CF
22	0270F03139	BAG ASSY CF

Expanded Model Nomenclature

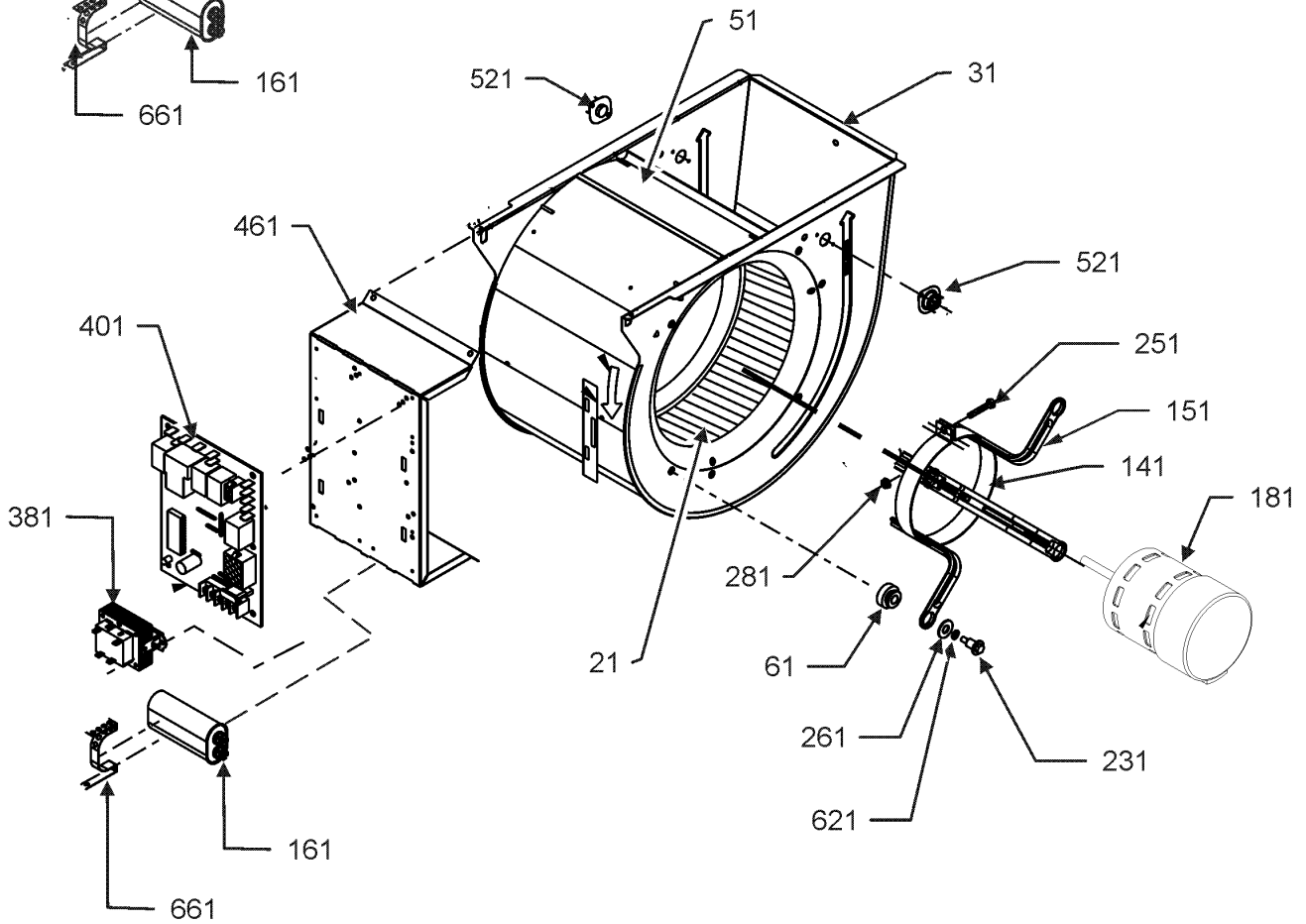
M1 - VCSS960402BNAA
M2 - VCSS960603BNAA
M3 - VCSS960804CNAA
M4 - VCSS961005CNAA

Blower Assembly

BLOWER ASSY STYLE 1



BLOWER ASSY STYLE 2



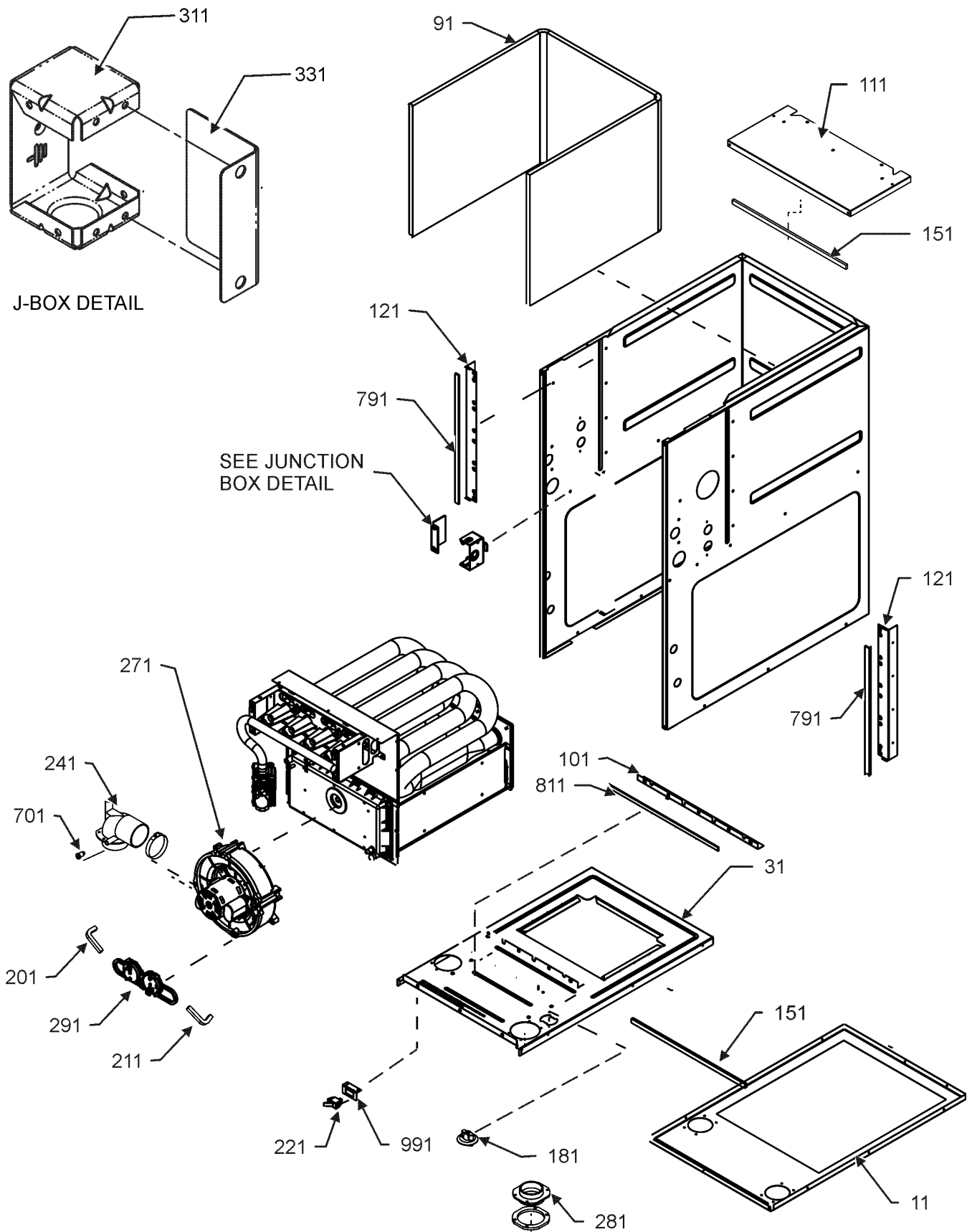
Blower Assembly

Ref. Part No:	No:	Description:	Ref. Part No:	No:	Description:
<i>Image 1:</i>					
21	0150M00042	WHEEL, BLOWER (10 X 10) (M3)			
21	0150M00043	WHEEL, BLOWER (10 X 8) (M1, M2)			
31	0271F00181	BLOWER HSG ASSY (M1, M2)			
31	0271F00182	BLOWER HSG ASSY (M3)			
31	0271F00161	BLOWER SHELL & WHEEL ASSY (M4)			
51	764741	BLOWER BLOCK-OFF 10 X 10 (M3)			
51	764740	BLOWER BLOCK-OFF 10 X 8 (M1, M2)			
61	A4002702	BLOWER MOTOR GROMMET (M4)			
141	10441601	MOTOR MOUNT BAND (M4)			
151	10441501	MOTOR MOUNT ARM (M4)			
161	CAP125000370LA	CAPACITOR 12.5/370V (M1, M2)			
161	CAP150000370LA	CAPACITOR 15/370V (M4)			
161	CAP200000370LA	CAPACITOR 20/370V (M3)			
181	0131F00038	MOTOR, 1/2 HP (M3)			
181	0131F00027	MOTOR, 1/3HP, 4SP, 6PL (M1, M2)			
181	0131F00031	MOTOR, 3/4 HP (M4)			
231	0163F00028	SCREW (M4)			
231	M0250558	TC SCREW (M1, M2, M3)			
251	M0267144	MACHINE SCREW (M4)			
261	M0274008	WASHER-FLAT (M4)			
281	M0282015	KEPS NUT (M4)			
381	0130M00140	TRANSFORMER 120V TO 24V, 40VA			
401	PCBBF140	PCB, IGNITION CONTROL			
461	0121F00464	CONTROL MOUNTING PLATE			
521	0130F00038	PRIMARY LIMIT - LT BLUE 120° (AUX) (QTY 2)			
621	B1392820	WASHER, SPLIT LOCK 1/4 BZ (M4)			
661	20520901	CAPACITOR STRAP			
NS	B1392021	PLASTIC PLUG, 1" (2713-BLK) (QTY 4)			
NS	0259F00024	WIRE HARNESS-BLOWER			

Expanded Model Nomenclature

- | |
|---------------------|
| M1 - VCSS960402BNAA |
| M2 - VCSS960603BNAA |
| M3 - VCSS960804CNAA |
| M4 - VCSS961005CNAA |

Chassis Assembly



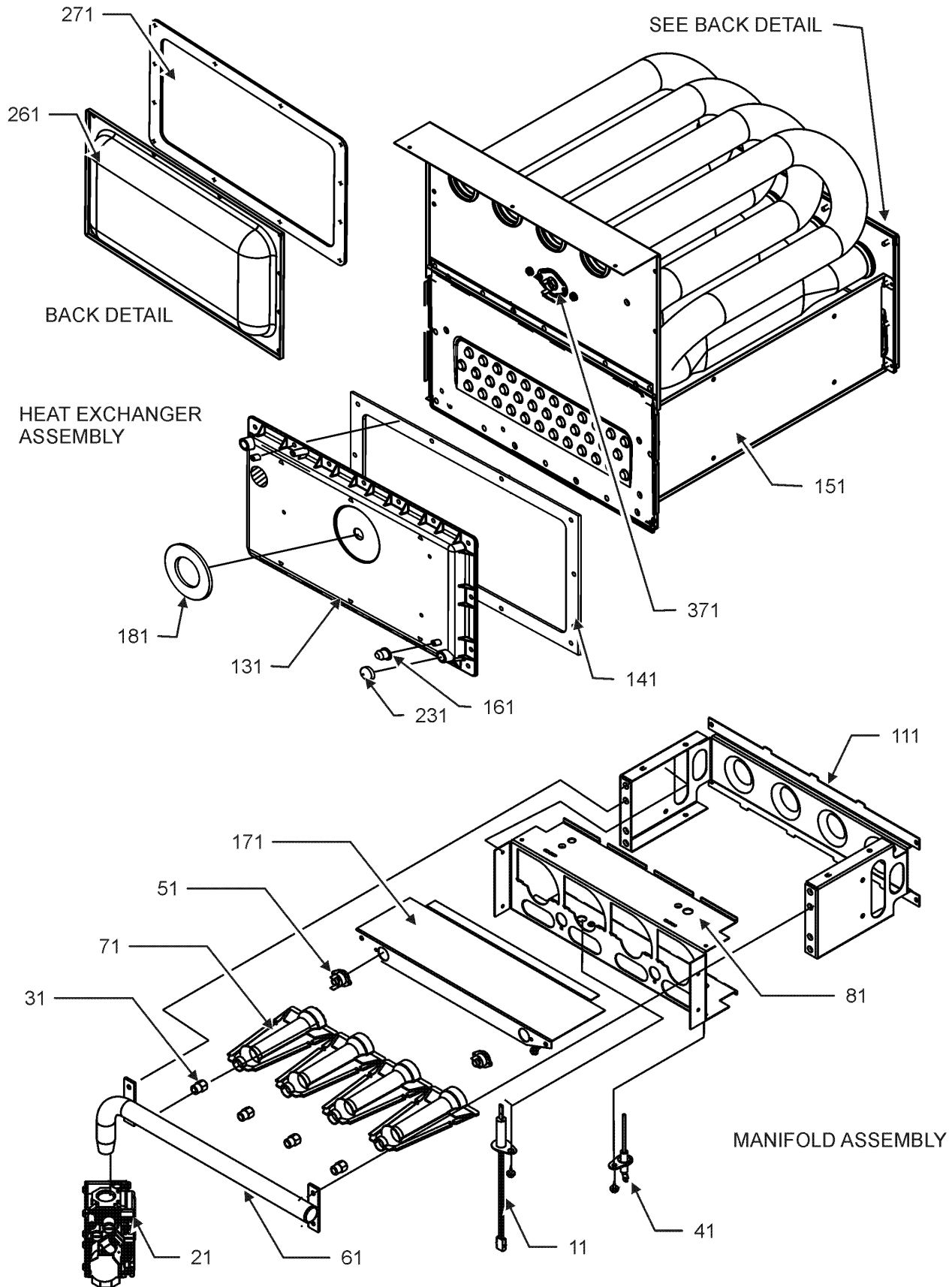
Chassis Assembly

Ref. Part No:	No:	Description:	Ref. Part No:	No:	Description:
<i>Image 1:</i>					
11	0121F00548DG	PAINTED BASEPAN, 17.5 CF (M1, M2)			
11	0121F00549DG	PAINTED BASEPAN, 21 CF (M3, M4)			
31	0121F00536	DECK-BLOWER 17.5" CF (M1, M2)			
31	0121F00537	DECK-BLOWER 21" CF (M3, M4)			
91	0160F00015	INSULATION, HT EXCHANGER 17.5" (M1, M2)			
91	0160F00016	INSULATION, HT EXCHANGER 21" (M3, M4)			
101	0121F00314	ANGLE, DECK (M1, M2)			
101	0121F00315	ANGLE, DECK (M3, M4)			
111	0121F00426DG	TOP, PAINTED FURNACE 17.5" CF (M1, M2)			
111	0121F00434DG	TOP, PAINTED FURNACE 21" CF (M3, M4)			
121	0121F00313	SIDE ANGLE (QTY 2)			
151	20179309	GASKET-FA (M1, M2)			
151	20179310	GASKET-FA (M3, M4)			
181	0159F00044	HARNESS, WIRING			
201	0164M00008	PRESSURE SWITCH HOSE			
211	0164M00031	14" PRESSURE SWITCH HOSES (M3, M4)			
211	0164M00015	PRESSURE SWITCH HOSE (M1, M2)			
221	0130M00243	SWITCH, INTERLOCK			
241	0164F00003	ELBOW-FLUE, 17.5" CFLOW (M1, M2)			
241	0164F00004	ELBOW-FLUE, 21" CFLOW (M3, M4)			
271	0171M00001	MOTOR-ID, BLOWER			
281	0161F00037	COUPLING			
291	0130F00439	SWITCH, PRESSURE (M2, M3, M4)			
291	0130F00447	SWITCH, PRESSURE (M1)			
311	0161F00042	JUNCTION BOX			
331	0161F00043	JUNCTION BOX LID			
701	M0326804	TUBE PLUG			
791	0154F00015	GASKET (QTY 2)			
811	0154F00014	GASKET (M1, M2)			
811	0154F00016	GASKET (M3, M4)			
991	0121F00389	BRACKET, DOOR SWITCH			

Expanded Model Nomenclature

M1 - VCSS960402BNAA
M2 - VCSS960603BNAA
M3 - VCSS960804CNAA
M4 - VCSS961005CNAA

Heat Exchanger and Manifold Assembly



Heat Exchanger and Manifold Assembly

Ref. Part No: No:	Description:	Ref. Part No: No:	Description:
Image 1:			
11	0130F00008		IGNITOR-SINI 17 SEC
21	0151M00037		GAS VALVE
31	10716005		ORIFICE (QTY 2)
41	0130F00010		FLAME SENSOR
51	0130F00123		MANUAL RESET LIMIT (M1, M2)
51	10123534		MANUAL RESET LIMIT 220°F (M3)
51	10123539		MANUAL RESET LIMIT-ORANGE (M4)
61	0163F00007		MANIFOLD (M1)
61	0163F00008		MANIFOLD (M2)
61	0163F00009		MANIFOLD (M3)
61	0163F00010		MANIFOLD (M4)
71	0163F00017		BECKETT BURNER (QTY 2)
81	0121F00456		BRACKET-BURNER 2 (M1)
81	0121F00455		BRACKET-BURNER 3 (M2)
81	0121F00454		BRACKET-BURNER 4 (M3)
81	0121F00453		BRACKET-BURNER 5 (M4)
111	0121F00469		ORIFICE BRACKET-BURNER 2 (M1)
111	0121F00468		ORIFICE BRACKET-BURNER 3 (M2)
111	0121F00467		ORIFICE BRACKET-BURNER 4 (M3)
111	0121F00466		ORIFICE BRACKET-BURNER 5 (M4)
131	0161F00030		COVER, FRONT (M3)
131	0161F00053		COVER, FRONT (M1)
131	0161F00054		COVER, FRONT (M2)
131	0161F00060		COVER, FRONT (M4)
141	0154F00026		GASKET FRONT COVER (M1, M2)
141	0154F00030		GASKET FRONT COVER (M3, M4)
151	0257F00285		HEAT EXCHANGER ASSY (M1)
151	0257F00358		HEAT EXCHANGER ASSY (M2)
151	0257F00359		HEAT EXCHANGER ASSY (M3)
151	0257F00360		HEAT EXCHANGER ASSY (M4)
161	M0326804		TUBE PLUG
171	0121F00542		SHIELD, BURNER (M4)
181	0154F00043		GASKET ID BLOWER
231	A1781105		CAP-VINYL .500
261	0121F00317		COVER, REAR (M1, M2)
261	0121F00318		COVER, REAR (M3, M4)
271	0154F00037		GASKET, REAR CVR (M1, M2)
271	0154F00038		GASKET, REAR CVR (M3, M4)
371	0130F00071		PRESSURE LIMIT SWITCH (M3)
371	20162901		PRESSURE LIMIT-RED (M1, M2)
371	20162903		PRIMARY LIMIT - BLUE (M4)
NS	0121F00583		INSULATION, RETAINER (M1, M2)
NS	0121F00439		PRIMARY LIMIT-HEAT SHIELD
NS	0121F00355		SHIELD, COIL (QTY 2)

Expanded Model Nomenclature

M1 - VCSS960402BNAA
M2 - VCSS960603BNAA
M3 - VCSS960804CNAA
M4 - VCSS961005CNAA