

REPAIR PARTS

UCYH "YORK" PTAC Unit

UCYH093GGAXAB

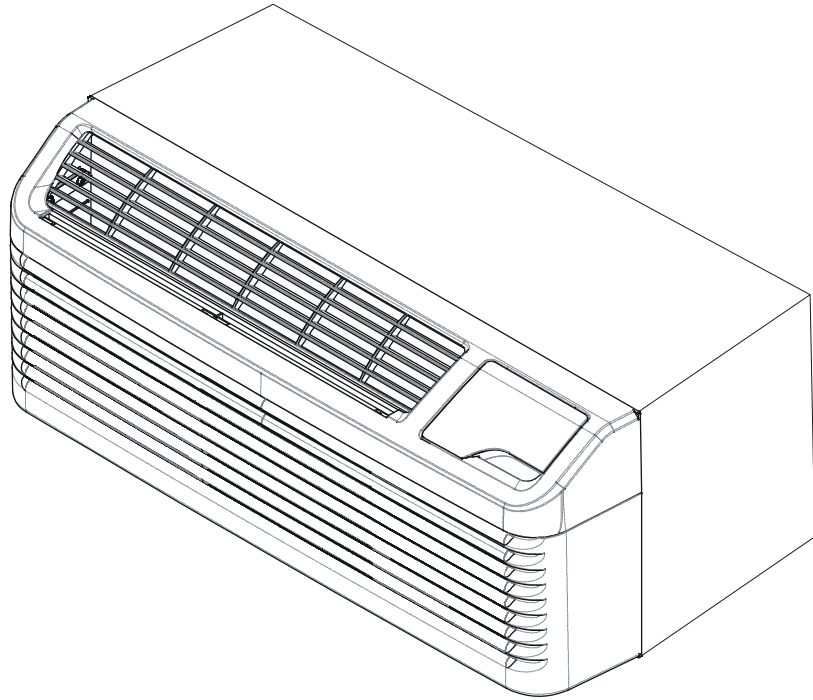
UCYH093GOAXAB

UCYH123GGAXAB

UCYH123GOAXAB

UCYH153GGAXAA

UCYH153GOAXAA



This manual is to be used by qualified technicians only.

© 2012 Goodman Manufacturing Company, L.P. ♦ 5151 San Felipe, Suite 500 ♦ Houston, TX 77056

Important Information

Index

| | |
|------------------------------|--------|
| Functional Parts List | 3 |
| Illustration and Parts | 4 - 13 |

Views shown are for parts illustrations only, not servicing procedures.

Text Codes:

AR - As Required

NA - Not Available

NS - Not Shown

00000000 - See Note

QTY - Quantity Example (QTY 3) (If Quantity not shown, Quantity = 1)

M - Model Example (M1) (If M Code not shown, then part is used on all Models)

Expanded Model Nomenclature:

| |
|---|
| Example M1 - Model#1 M2 - Model#2 M3 - Model#3 |
|---|

Goodman Manufacturing Company, L.P. is not responsible for personal injury or property damage resulting from improper service. Review all service information before beginning repairs.

Warranty service must be performed by an authorized technician, using authorized factory parts. If service is required after the warranty expires, Goodman Manufacturing Company, L.P. also recommends contacting an authorized technician and using authorized factory parts.

Goodman Manufacturing Company, L.P. reserves the right to discontinue, or change at any time, specifications or designs without notice or without incurring obligations.

For assistance within the U.S.A. contact:
Consumer Affairs Department
Goodman Manufacturing Company, L.P.
7401 Security Way
Houston, Texas 77040
877-254-4729-Telephone
713-863-2382-Facsimile

For assistance outside the U.S.A. contact:
International Division
Goodman Manufacturing Company, L.P.
7401 Security Way
Houston, Texas 77040
713-861-2500-Telephone
713-863-2382-Facsimile

Functional Parts

Part

No: Description:

| | |
|----------------|---------------------------------------|
| CAP020250450RS | CAP, 2/25 MFD/450V/DUAL RD (M1, M2) |
| CAP020300450RS | CAP, 2/30 MFD/450V/DUAL RD (M3, M4) |
| CAP050300450RS | CAP, 5/30 MFD/450V/DUAL RD (M5, M6) |
| CAP020000440RP | CAPACITOR |
| 44A202A | COMPRESSOR, RECHI (M1, M2) |
| 44A282A | COMPRESSOR, RECHI (M3, M4) |
| 50A362Q | COMPRESSOR, RECHI (M5, M6) |
| RSKP0010 | CONTROL BOARD M61 |
| 0130P00069 | CORD, 250VAC, 15A (LCD) (M2, M4, M6) |
| 0130P00058 | CORD, 250VAC, 20A (LCD) (M1, M3, M5) |
| 0131P00025 | FAN MOTOR OUTDOOR (M5, M6) |
| 0131P00006 | FAN MOTOR, INDOOR (M1, M2, M3, M4) |
| 0131P00007 | FAN MOTOR, INDOOR (M5, M6) |
| 0131P00033 | FAN MOTOR, OUTDOOR (M1, M2, M3, M4) |
| 0161P00030 | FAN, CONDENSER |
| 0275P00038 | HEATER ASSY (M1, M3, M5) |
| 0275P00007 | HEATER MODULE 0.0KW 230V (M2, M4, M6) |
| 60343503 | OVERLOAD PROTECTOR (M3, M4) |
| 60343539 | OVERLOAD PROTECTOR (M1, M2) |
| 60343546 | OVERLOAD PROTECTOR (M5, M6) |
| 0130M00096 | RELAY |
| 0130M00132 | SWITCH, HIGH PRESS |
| 0130P00073 | THERMISTOR |
| 0130P00075 | THERMISTOR |
| 20295707 | THERMISTOR-INDOOR COIL |
| 20512501 | TRANSFORMER (HYDRONIC) |
| 0150P00004 | WHEEL, BLOWER |

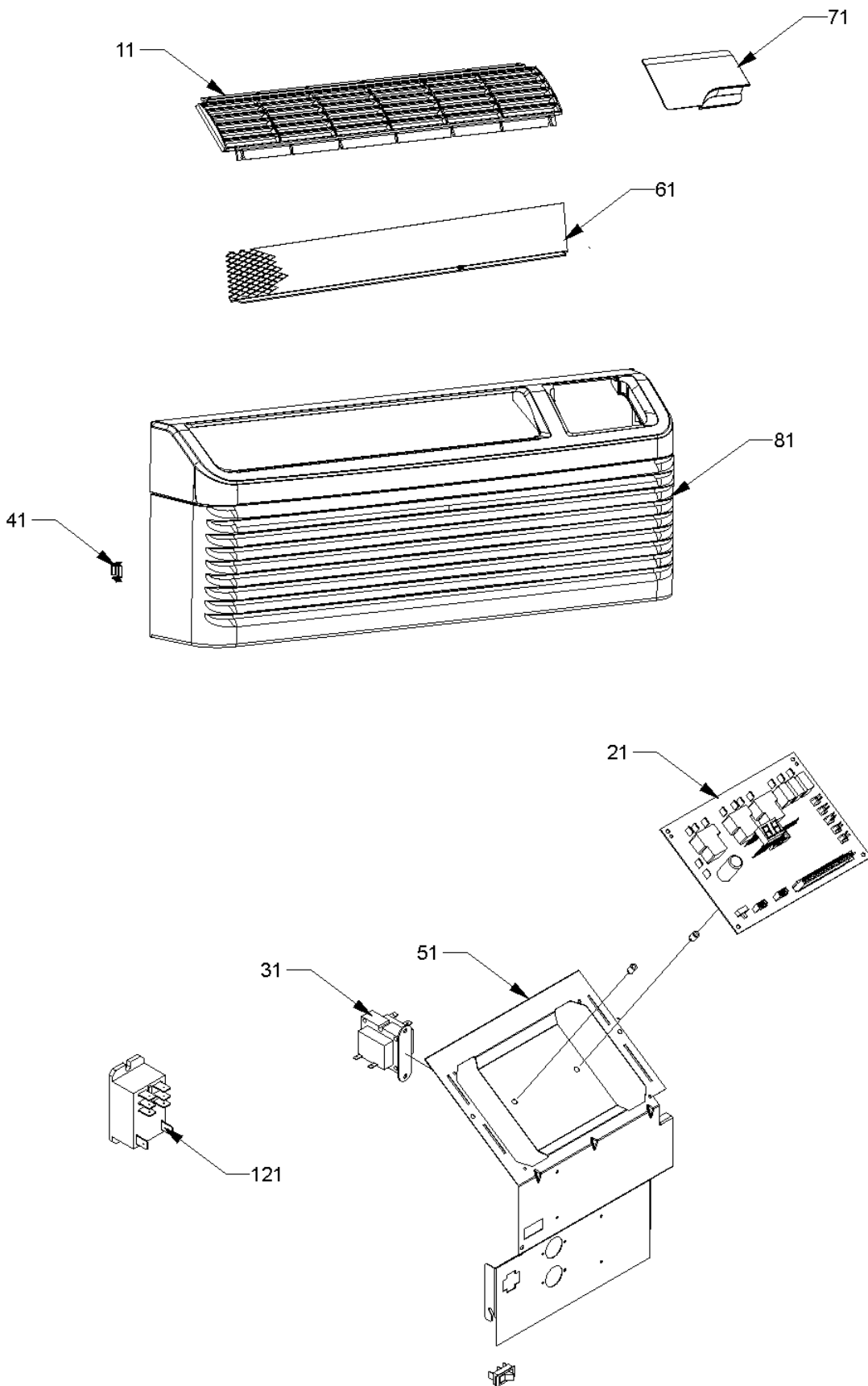
SPECIAL PARTS

0261P00008 DOOR ASSY-YORK

Expanded Model Nomenclature

| |
|--------------------|
| M1 - UCYH093GGAXAB |
| M2 - UCYH093GOAXAB |
| M3 - UCYH123GGAXAB |
| M4 - UCYH123GOAXAB |
| M5 - UCYH153GGAXAA |
| M6 - UCYH153GOAXAA |

Front Assy



Front Assy

| Ref. Part No: | No: | Description: | Ref. Part No: | No: | Description: |
|---------------|-----|--------------|---------------|-----|--------------|
|---------------|-----|--------------|---------------|-----|--------------|

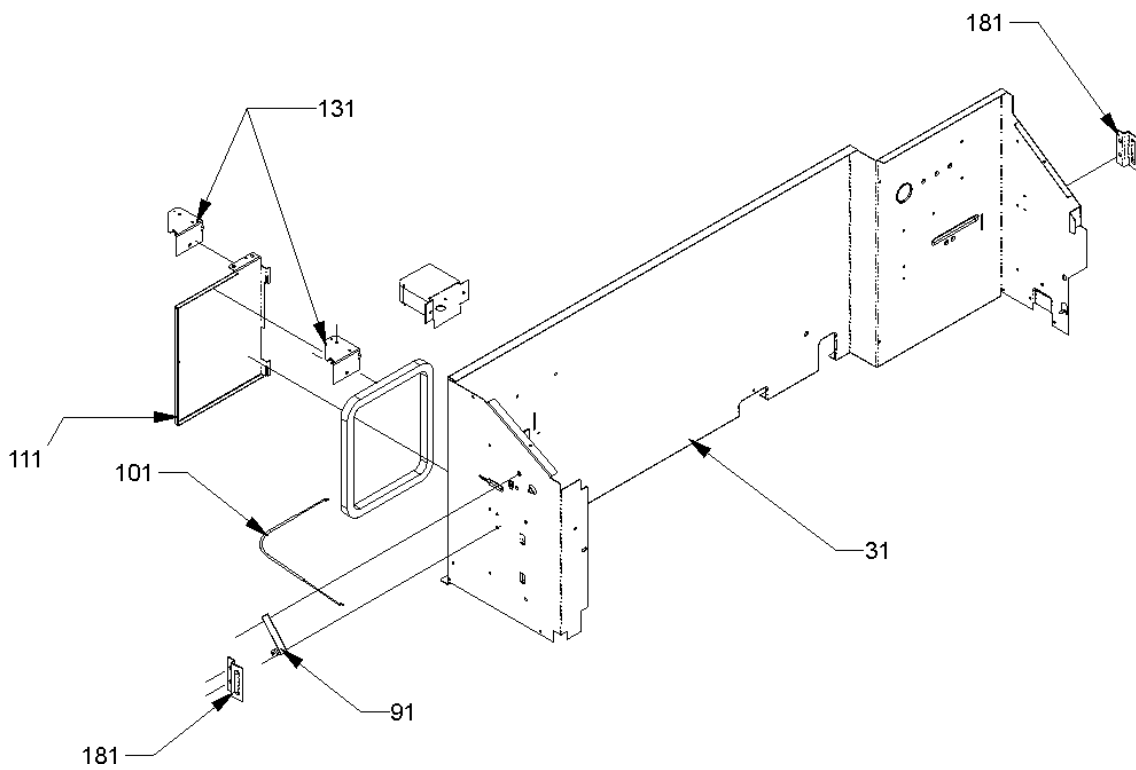
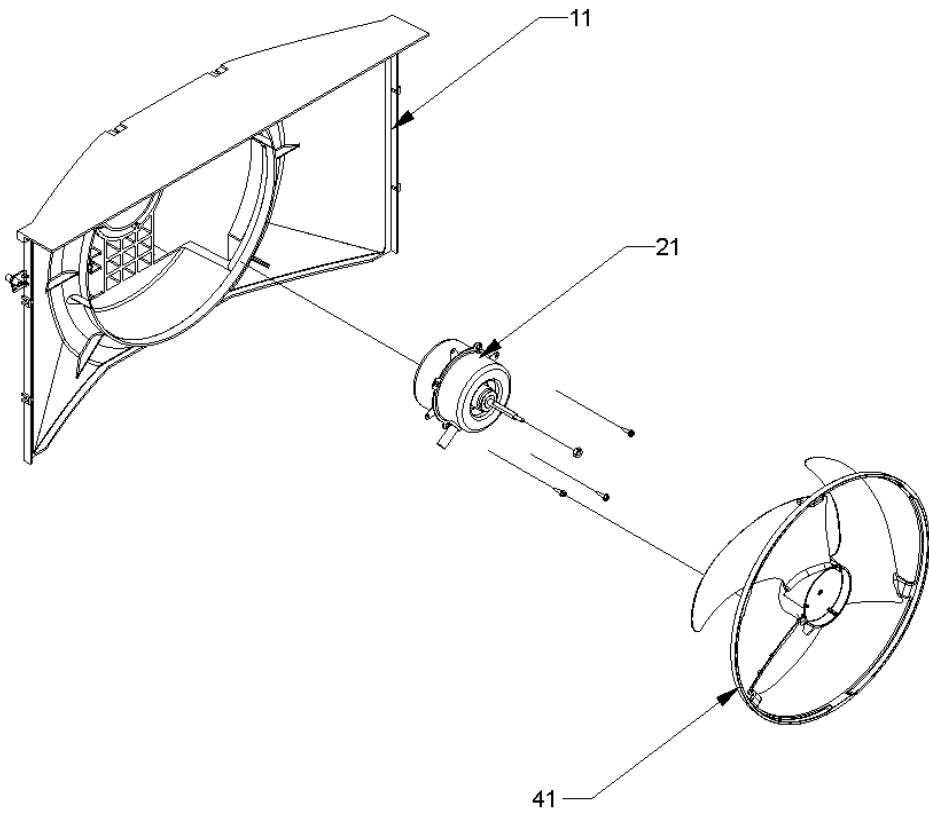
Image 1:

| | | |
|-----|------------|------------------------|
| 11 | 0161P00033 | FRONT-DICHARGE LOUVERS |
| 21 | RSKP0010 | CONTROL BOARD M61 |
| 31 | 20512501 | TRANSFORMER (HYDRONIC) |
| 41 | 0163P00025 | CLIP (QTY 2) |
| 51 | 0121P00087 | PANEL, CONTROL |
| 61 | 0121P00073 | SCREEN, DISCHARGE |
| 71 | 0261P00008 | DOOR ASSY-YORK |
| 81 | 0261P00011 | FRONT ASSY |
| 121 | 0130M00096 | RELAY |
| NS | 0161P00035 | FILTER, RACK (QTY 2) |

Expanded Model Nomenclature

- M1 - UCYH093GGAXAB
- M2 - UCYH093GOAXAB
- M3 - UCYH123GGAXAB
- M4 - UCYH123GOAXAB
- M5 - UCYH153GGAXAA
- M6 - UCYH153GOAXAA

Chassis Control Panel



Chassis Control Panel

| Ref. Part No: | No: | Description: | Ref. Part No: | No: | Description: |
|---------------|-----|--------------|---------------|-----|--------------|
|---------------|-----|--------------|---------------|-----|--------------|

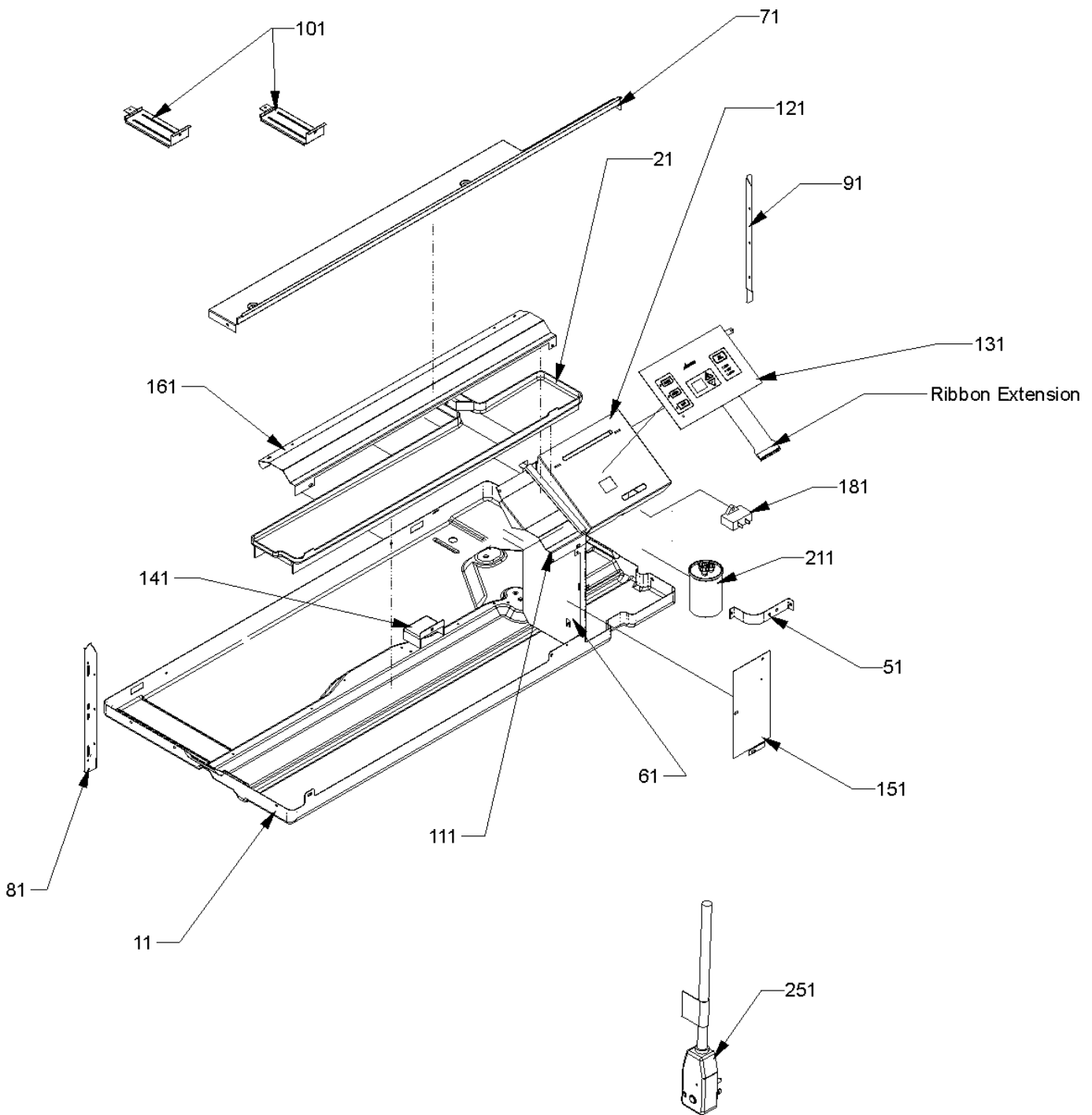
Image 1:

| | | |
|-----|--------------|-------------------------------------|
| 11 | 0161P00026 | SHROUD, CONDENSER |
| 21 | 0131P00025 | FAN MOTOR OUTDOOR (M5, M6) |
| 21 | 0131P00033 | FAN MOTOR, OUTDOOR (M1, M2, M3, M4) |
| 41 | 0161P00030 | FAN, CONDENSER |
| 91 | 11046302 | LEVER ARM |
| 101 | 0163P00019 | CABLE |
| 111 | 11046105 | VENT DOOR |
| 131 | 0121P00072 | BRACKET, VENT DOOR (QTY 2) |
| 181 | 0121P00089DG | PANEL-PARTITION PNT |

Expanded Model Nomenclature

- M1 - UCYH093GGAXAB
- M2 - UCYH093GOAXAB
- M3 - UCYH123GGAXAB
- M4 - UCYH123GOAXAB
- M5 - UCYH153GGAXAA
- M6 - UCYH153GOAXAA

Partition Assy



Partition Assy

| Ref. Part No: No: | Description: | Ref. Part No: No: | Description: |
|-------------------|--------------|-------------------|--------------|
|-------------------|--------------|-------------------|--------------|

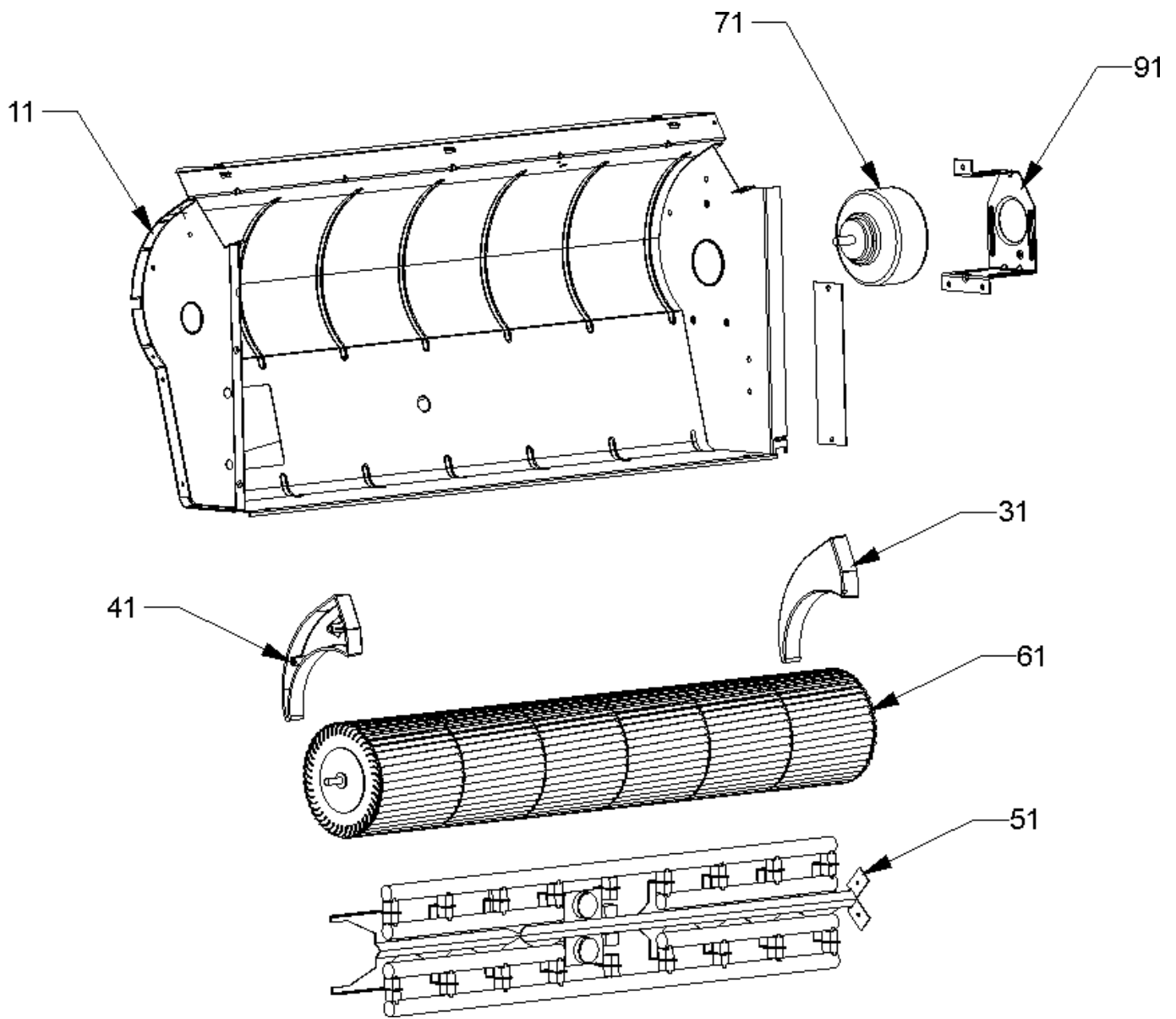
Image 1:

| | | |
|-----|----------------|--------------------------------------|
| 11 | 0121P00056DG | BASEPAN, PNT |
| 21 | 0161P00044 | PLASTIC-DRAIN PAN |
| 51 | C6300502 | CAPACITOR STRAP |
| 61 | 20403301 | MID PARTITION PANEL |
| 71 | 0121P00063 | TOP - PARTITION PANEL |
| 81 | 20416201 | SEAL-L SIDE PTC |
| 91 | 20416101 | SEAL-R SIDE PTC |
| 101 | 0121P00071DG | BRACE, TIE (QTY 2) |
| 111 | 0121P00070DG | COVER, MOTOR PNT |
| 121 | 0121P00001P | CONTROL PANEL COVER |
| 131 | RSKP0005 | CONTROL PANEL COVER AND MEMBRANE |
| 141 | 0161P00016 | PLASTIC-HOOD |
| 151 | 20410801 | ACCESS COVER |
| 161 | 0121P00061DG | CUTOFF-SCROLL DG |
| 181 | CAP020000440RP | CAPACITOR |
| 211 | CAP020250450RS | CAP, 2/25 MFD/450V/DUAL RD (M1, M2) |
| 211 | CAP020300450RS | CAP, 2/30 MFD/450V/DUAL RD (M3, M4) |
| 211 | CAP050300450RS | CAP, 5/30 MFD/450V/DUAL RD (M5, M6) |
| 251 | 0130P00069 | CORD, 250VAC, 15A (LCD) (M2, M4, M6) |
| 251 | 0130P00058 | CORD, 250VAC, 20A (LCD) (M1, M3, M5) |

Expanded Model Nomenclature

| |
|--------------------|
| M1 - UCYH093GGAXAB |
| M2 - UCYH093GOAXAB |
| M3 - UCYH123GGAXAB |
| M4 - UCYH123GOAXAB |
| M5 - UCYH153GGAXAA |
| M6 - UCYH153GOAXAA |

Indoor Assy



Indoor Assy

| Ref. Part No: | No: | Description: | Ref. Part No: | No: | Description: |
|---------------|-----|--------------|---------------|-----|--------------|
|---------------|-----|--------------|---------------|-----|--------------|

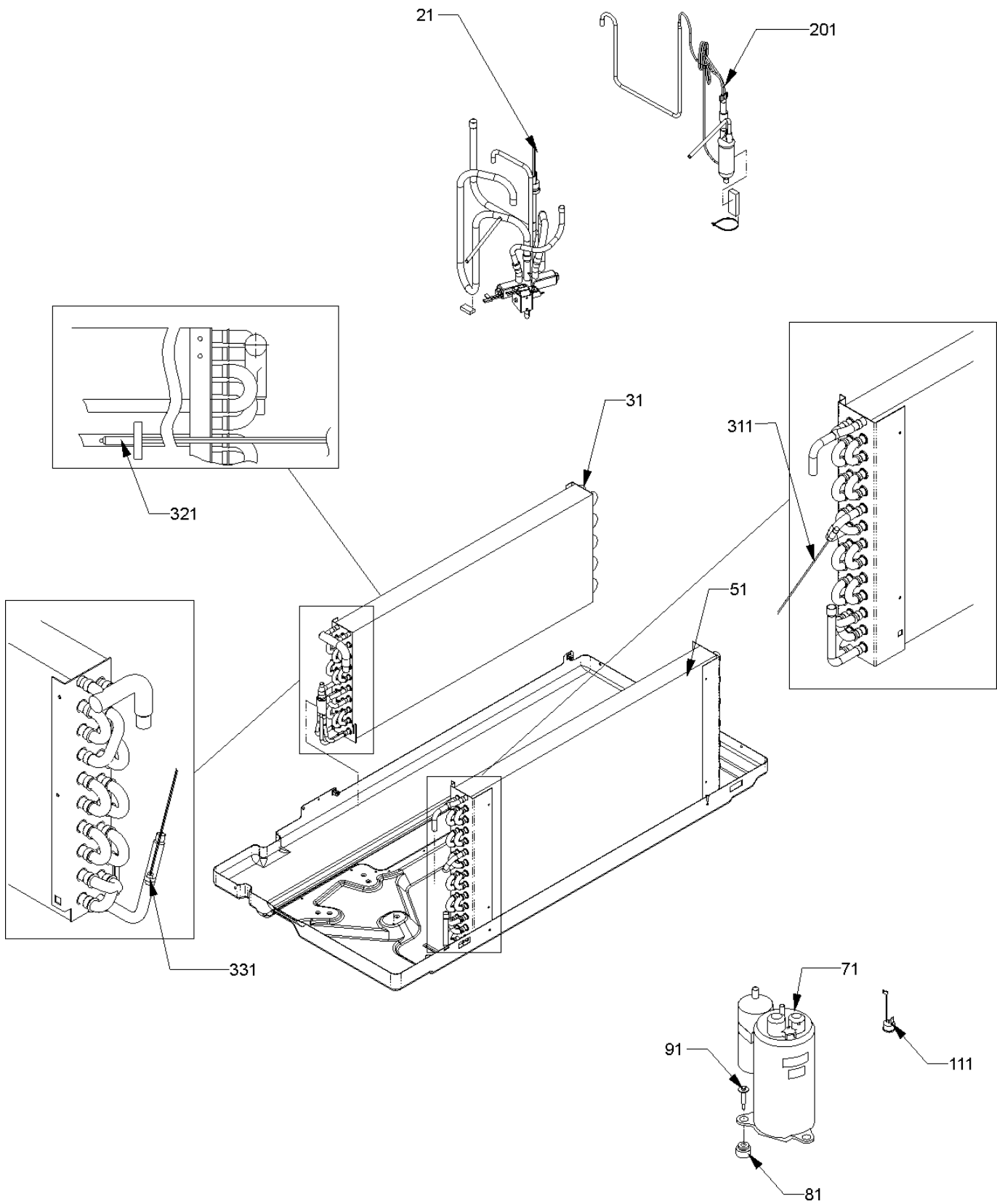
Image 1:

| | | | | | |
|----|------------|---------------------------------------|--|--|--|
| 11 | 0270P01070 | SCROLL ASSY | | | |
| 31 | 0161P00021 | END CAP, RIGHT | | | |
| 41 | 0161P00022 | END CAP, LEFT | | | |
| 51 | 0275P00038 | HEATER ASSY (M1, M3, M5) | | | |
| 51 | 0275P00007 | HEATER MODULE 0.0KW 230V (M2, M4, M6) | | | |
| 61 | 0150P00004 | WHEEL, BLOWER | | | |
| 71 | 0131P00006 | FAN MOTOR, INDOOR (M1, M2, M3, M4) | | | |
| 71 | 0131P00007 | FAN MOTOR, INDOOR (M5, M6) | | | |
| 91 | 0121P00048 | BRACKET-MOTOR MOUNT | | | |
| NS | 0163P00027 | BEARING | | | |

Expanded Model Nomenclature

| |
|--------------------|
| M1 - UCYH093GGAXAB |
| M2 - UCYH093GOAXAB |
| M3 - UCYH123GGAXAB |
| M4 - UCYH123GOAXAB |
| M5 - UCYH153GGAXAA |
| M6 - UCYH153GOAXAA |

Tubing Assy



Tubing Assy

| Ref. Part No: | No: | Description: | Ref. Part No: | No: | Description: |
|-----------------|------------|---|---------------|-----|--------------|
| <i>Image 1:</i> | | | | | |
| 21 | 0130M00132 | SWITCH, HIGH PRESS | | | |
| 31 | 0202P00067 | EVAP ASSY, 3/8, 2 ROW | | | |
| 51 | 0202P00071 | 5 MM CONDENSER COIL ASSY | | | |
| 71 | 44A202A | COMPRESSOR, RECHI (M1, M2) | | | |
| 71 | 44A282A | COMPRESSOR, RECHI (M3, M4) | | | |
| 71 | 50A362Q | COMPRESSOR, RECHI (M5, M6) | | | |
| 81 | 60130203 | GROMMET - RECHI COMPRESSOR (M1, M2, M3, M4) | | | |
| 81 | 60140209 | GROMMET - RECHI COMPRESSOR (M5, M6) | | | |
| 91 | 0163M00079 | SCREW, SHOULDER (M1, M2, M3, M4) | | | |
| 91 | M0253610 | SHOULDER SCREW (M5, M6) | | | |
| 111 | 60343503 | OVERLOAD PROTECTOR (M3, M4) | | | |
| 111 | 60343539 | OVERLOAD PROTECTOR (M1, M2) | | | |
| 111 | 60343546 | OVERLOAD PROTECTOR (M5, M6) | | | |
| 201 | 0210P00198 | CAPILLARY WELDMENT (M3, M4) | | | |
| 201 | 0210P00203 | CAPILLARY WELDMENT (M5, M6) | | | |
| 201 | 0210P00205 | CAPILLARY WELDMENT (M1, M2) | | | |
| 311 | 0130P00075 | THERMISTOR | | | |
| 321 | 0130P00073 | THERMISTOR | | | |
| 331 | 20295707 | THERMISTOR-INDOOR COIL | | | |
| NS | 60500101 | OLP SPRING - RECHI COMPRESSOR | | | |
| NS | 60100314 | TERMINAL COVER - RECHI COMP | | | |
| NS | 60100103 | TERMINAL GASKET | | | |
| NS | 60100401 | TERMINAL NUT - RECHI COMP | | | |
| NS | 60100201 | WASHER - RECHI COMPRESSOR | | | |

Expanded Model Nomenclature

| |
|--------------------|
| M1 - UCYH093GGAXAB |
| M2 - UCYH093GOAXAB |
| M3 - UCYH123GGAXAB |
| M4 - UCYH123GOAXAB |
| M5 - UCYH153GGAXAA |
| M6 - UCYH153GOAXAA |