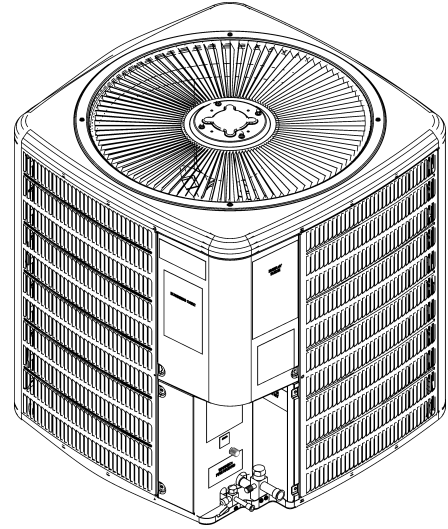


REPAIR PARTS

SSZ16 SEER Remote Heat Pumps

SSZ160241AA
SSZ160241AB
SSZ160241AC
SSZ160241AD
SSZ160241AE
SSZ160241AF
SSZ160241AG
SSZ160241AH
SSZ160241AJ
SSZ160241AK
SSZ160361AA
SSZ160361AB
SSZ160361AC
SSZ160361AD
SSZ160361AE
SSZ160361AF
SSZ160481AA
SSZ160481AB
SSZ160481AC
SSZ160481AD
SSZ160481AE
SSZ160481AF
SSZ160601AA
SSZ160601AB
SSZ160601AC
SSZ160601AD
SSZ160601AE
SSZ160601BA
SSZ160601BB
SSZ160601BC



This manual is to be used by qualified technicians only.

This manual replaces RP-362J.

© 2006-2014, 2016, 2021 Goodman Manufacturing Company, L.P. ♦ 5151 San Felipe St, Suite 500 ♦ Houston, TX 77056

Important Information

Index

| | |
|------------------------------|--------|
| Functional Parts List | 3 |
| Illustration and Parts | 4 - 11 |

Views shown are for parts illustrations only, not servicing procedures.

Text Codes:

AR - As Required

NA - Not Available

NS - Not Shown

00000000 - See Note

QTY - Quantity Example (QTY 3) (If Quantity not shown, Quantity = 1)

M - Model Example (M1) (If M Code not shown, then part is used on all Models)

Expanded Model Nomenclature:

| |
|--------------|
| Example |
| M1 - Model#1 |
| M2 - Model#2 |
| M3 - Model#3 |

Goodman Manufacturing Company, L.P. is not responsible for personal injury or property damage resulting from improper service. Review all service information before beginning repairs.

Warranty service must be performed by an authorized technician, using authorized factory parts. If service is required after the warranty expires, Goodman Manufacturing Company, L.P. also recommends contacting an authorized technician and using authorized factory parts.

Goodman Manufacturing Company, L.P. reserves the right to discontinue, or change at any time, specifications or designs without notice or without incurring obligations.

For assistance within the U.S.A. contact:

Homeowner Support

Goodman Manufacturing Company, L.P.

19001 Kermier Road

Waller, Texas 77484

877-254-4729-Telephone

713-863-2382-Facsimile

For assistance outside the U.S.A. contact:

International Division

Goodman Manufacturing Company, L.P.

19001 Kermier Road

Waller, Texas 77484

713-861-2500-Telephone

713-863-2382-Facsimile

Functional Parts

Part

No: Description:

| | | | |
|----------------|---|------------|---|
| 0151R00079 | BASE VALVE 3/4" (M1, M2, M3, M4, M5, M6, M7, M8, M9, M10) | 0151M00019 | REVERSING VALVE (M1, M2, M3, M4) |
| 0151R00078 | BASE VALVE 3/8" | 0151R00068 | REVERSING VALVE (M9, M10) |
| 0151R00080 | BASE VALVE 7/8" (M11, M12, M13, M14, M15, M16, M17, M18, M19, M20, M21, M22, M23, M24, M25, M26, M27, M28, M29, M30) | 0151M00021 | REVERSING VALVE (M11, M12, M13, M14, M15, M17, M18, M19, M20, M21, M23, M24, M25, M26, M27, M28, M29) |
| CAP050350440CS | CAPACITOR 5/35/440V (M1, M2, M3, M4, M5, M6, M7, M8, M9, M10) | B1225022 | SOLENOID COIL |
| CAP050400440CT | CAPACITOR 5/40/440V/DUAL RD (M29, M30) | 0130M00089 | SW-CUTOUT HI PRESS (M7, M8, M9, M10, M15, M16, M21, M22, M28, M29, M30) |
| CAP050450440CT | CAPACITOR 5/45/440V/DUAL RD (M11, M12, M13, M14, M15, M16, M17, M18, M19, M20, M21, M22) | 0130M00088 | SW-CUTOUT LOW PRESS (M7, M8, M9, M10, M15, M16, M21, M22, M28, M29, M30) |
| CAP050800440RT | CAPACITOR 5/80/440V (M23, M24, M25, M26, M27, M28) | 11046711 | THERMOSTAT DISC (M23, M24, M25, M26, M27, M28, M29, M30) |
| ZP20K5EPFV130 | COMPRESSOR 20000, 208/230/60/1 (M1, M2, M3, M4, M5, M6, M7, M8, M9, M10) | 0151M00002 | TXV VALVE (M11, M12, M13, M14, M15, M16) |
| ZP29K5EPFV130 | COMPRESSOR 29000, 208/230/60/1 (M11, M12, M13, M14, M15, M16) | 0151M00004 | TXV VALVE (M1, M2, M3, M4, M5, M6, M7, M8, M9, M10) |
| ZP38K5EPFV130 | COMPRESSOR 37500, 208/230/60/1 (M17, M18, M19, M20, M21, M22) | 0151M00010 | TXV VALVE (M21, M22, M25, M26, M27, M28, M29, M30) |
| ZPS49K5EPFV130 | COMPRESSOR 49100, 208/230/60/1 (M29, M30) | 0151R00009 | TXV VALVE (M17, M18, M19, M20, M23, M24) |
| ZPS49K4EPFV230 | COMPRESSOR 49200, 208/230/60/1/2STG (M28) | | |
| ZPS51K4EPFV230 | COMPRESSOR 52000, 208/230/60/1/2STG (M23, M24, M25, M26, M27) | | |
| 0131M00016P | COND MOTOR 1/6 HP, 1 SP, 8 PL (M1, M2) | | |
| 0131M00012P | COND MOTOR 1/6 HP, 1 SP, 8 PL (M11, M12, M13, M14, M15, M16, M17, M18, M19, M20, M21, M22) | | |
| 0131M00060 | COND MOTOR 1/6 HP, 1 SP, 8 PL (M3, M4, M5, M6, M7, M8, M9) | | |
| 0131M00038 | COND MOTOR 1/6 HP, 2 SP, 8 PL (M23, M24, M25, M26, M27, M28, M29, M30) | | |
| 0131M00753 | COND MOTOR, 1/6HP, 1SP, 8PL, AL (M10) | | |
| CONT1P025024V | CONTACTOR 25 AMP, 1P, 24V (M1, M2, M3, M4, M5, M6, M7, M8, M9, M10, M11, M12, M13, M14, M15, M16) | | |
| CONT1P030024V | CONTACTOR 30 AMP, 1P, 24V (M17, M18, M19, M20, M21, M22) | | |
| CONT2P040024V | CONTACTOR 40 AMP, 2P, 24V (M23, M24, M25, M26, M27, M28, M29, M30) | | |
| 0130M00105 | CONTROL, DEFROST | | |
| PCBDM133 | DEFROST CONTROL BOARD (M7, M8, M9, M10, M15, M16, M21, M22, M28, M29, M30) | | |
| PCBDM101 | DEFROST CONTROL BOARD (M1, M2, M3, M4, M5, M6, M11, M12, M13, M14, M17, M18, M19, M20, M23, M24, M25, M26, M27) | | |
| 0130M00106 | DISC THERMOSTAT CRNKCS HTR SW (M7, M8, M9, M10, M15, M16, M21, M22, M28, M29, M30) | | |
| 0150M00008 | FAN BLADE 22" TNT2203-25 (M2, M3, M4, M5, M6, M7, M8, M9, M10) | | |
| 10625738 | FAN BLADE 26" ALUM CCW (M11, M12, M13, M14, M15, M16, M17, M18, M19, M20, M21, M22, M23, M24, M25, M26, M27, M28, M29, M30) | | |
| B1086764 | FAN BLADE TYPE 2 (M1) | | |
| 0163R00006 | HEATER, CRANKCASE 230V, 40W (M7, M8, M9, M10, M15, M16) | | |
| 0163R00007 | HEATER, CRANKCASE 230V, 40W (M21, M22, M28, M29, M30) | | |
| 0130R00056 | HIGH PRESSURE SWITCH (M1, M2, M3, M4, M5, M6, M11, M12, M13, M14, M17, M18, M19, M20, M23, M24, M25, M26, M27) | | |
| 0130R00001 | LOW PRESSURE SWITCH (M1, M2, M3, M4, M5, M6, M11, M12, M13, M14, M17, M18, M19, M20, M23, M24, M25, M26, M27) | | |
| 10135604 | RELAY (M23, M24, M25, M26, M27, M28, M29, M30) | | |
| 0151R00071 | REVERSING VALVE (M16, M22, M30) | | |
| 0151M00018 | REVERSING VALVE (M5, M6, M7, M8) | | |

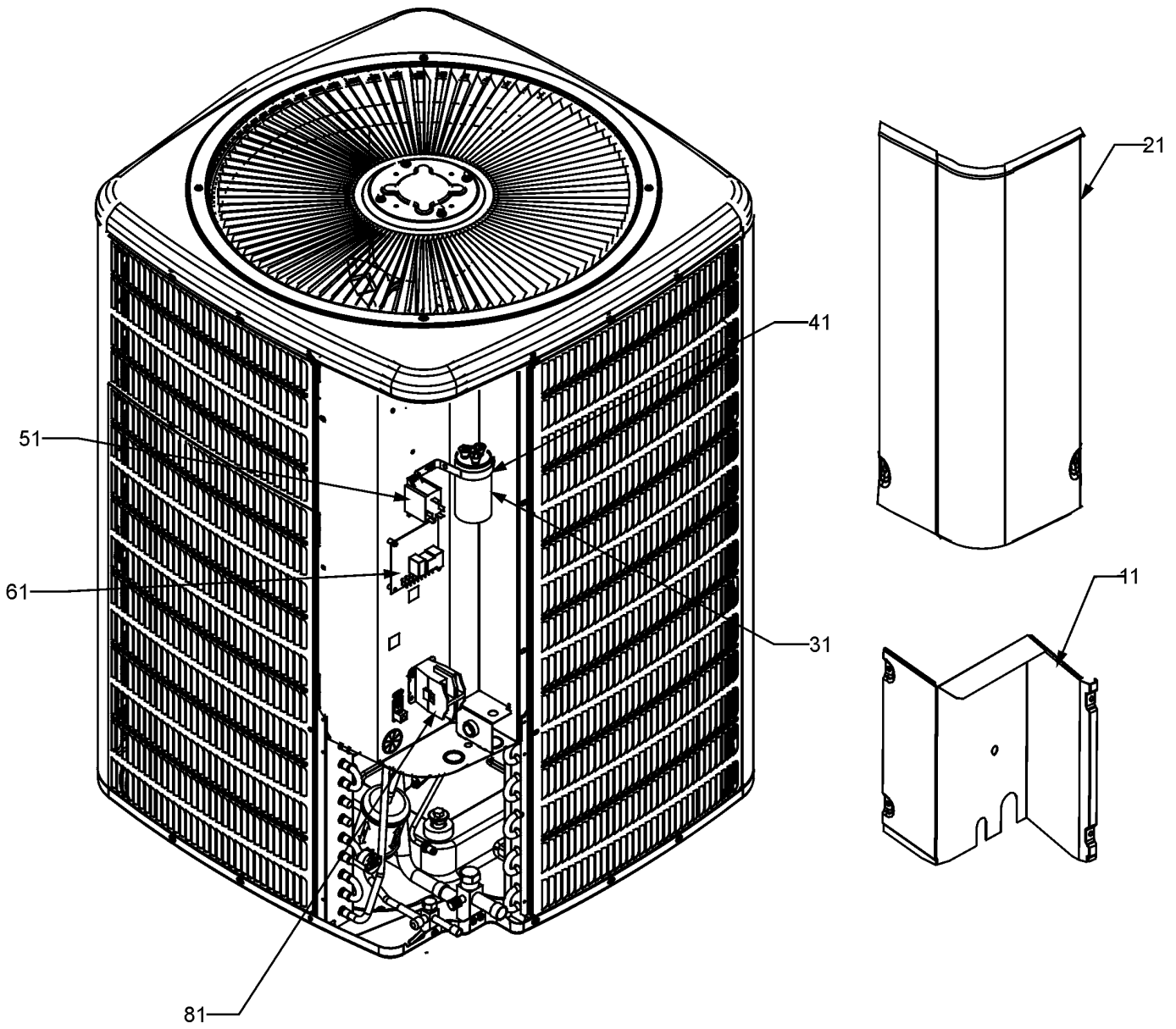
SPECIAL PARTS

0161R00009P NAMEPLATE

Expanded Model Nomenclature

| |
|-------------------|
| M1 - SSZ160241AA |
| M2 - SSZ160241AB |
| M3 - SSZ160241AC |
| M4 - SSZ160241AD |
| M5 - SSZ160241AE |
| M6 - SSZ160241AF |
| M7 - SSZ160241AG |
| M8 - SSZ160241AH |
| M9 - SSZ160241AJ |
| M10 - SSZ160241AK |
| M11 - SSZ160361AA |
| M12 - SSZ160361AB |
| M13 - SSZ160361AC |
| M14 - SSZ160361AD |
| M15 - SSZ160361AE |
| M16 - SSZ160361AF |
| M17 - SSZ160481AA |
| M18 - SSZ160481AB |
| M19 - SSZ160481AC |
| M20 - SSZ160481AD |
| M21 - SSZ160481AE |
| M22 - SSZ160481AF |
| M23 - SSZ160601AA |
| M24 - SSZ160601AB |
| M25 - SSZ160601AC |
| M26 - SSZ160601AD |
| M27 - SSZ160601AE |
| M28 - SSZ160601BA |
| M29 - SSZ160601BB |
| M30 - SSZ160601BC |

Control Cover / Control Box

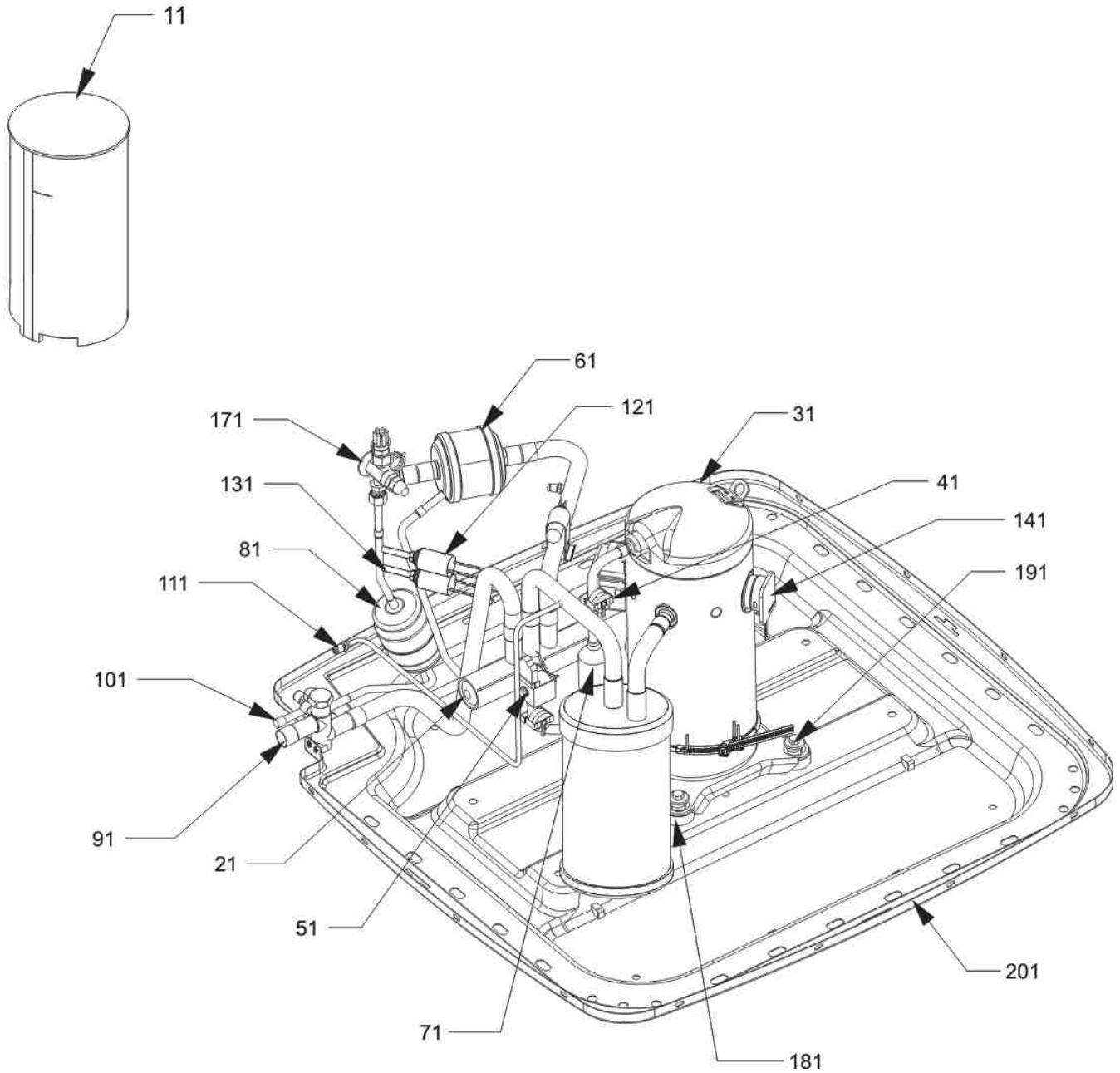


Control Cover / Control Box

| Ref. Part No: | No: | Description: | Ref. Part No: | No: | Description: |
|-----------------|----------------|---|------------------------------------|-----|--------------|
| Image 1: | | | Expanded Model Nomenclature | | |
| 11 | 0121R00317PDG | PANEL, LOWER ACCESS PNT (M23, M24, M25, M26, M27, M28, M29, M30) | M1 | - | SSZ160241AA |
| 11 | 0121R00318PDG | PANEL, LOWER ACCESS PNT (M1, M2, M3, M4, M5, M6, M7, M8, M9, M10, M11, M12, M13, M14, M15, M16, M17, M18, M19, M20, M21, M22) | M2 | - | SSZ160241AB |
| 21 | 0121R00053PDG | CONTROL COVER (M2, M3, M4, M5, M6, M7, M8, M9, M10, M12, M13, M14, M15, M16, M18, M19, M20, M21, M22) | M3 | - | SSZ160241AC |
| 21 | 0121R00054PDG | CONTROL COVER (M24, M25, M26, M27, M28, M29, M30) | M4 | - | SSZ160241AD |
| 21 | 4400064PDG | CONTROL COVER (M1, M11, M17) | M5 | - | SSZ160241AE |
| 21 | 4400080PDG | CONTROL COVER, 2 COMP (M23) | M6 | - | SSZ160241AF |
| 31 | CAP050350440CS | CAPACITOR 5/35/440V (M1, M2, M3, M4, M5, M6, M7, M8, M9, M10) | M7 | - | SSZ160241AG |
| 31 | CAP050400440CT | CAPACITOR 5/40/440V/DUAL RD (M29, M30) | M8 | - | SSZ160241AH |
| 31 | CAP050450440CT | CAPACITOR 5/45/440V/DUAL RD (M11, M12, M13, M14, M15, M16, M17, M18, M19, M20, M21, M22) | M9 | - | SSZ160241AJ |
| 31 | CAP050800440RT | CAPACITOR 5/80/440V (M23, M24, M25, M26, M27, M28) | M10 | - | SSZ160241AK |
| 41 | 4400065 | CAPACITOR STRAP | M11 | - | SSZ160361AA |
| 51 | 10135604 | RELAY (M23, M24, M25, M26, M27, M28, M29, M30) | M12 | - | SSZ160361AB |
| 61 | PCBDM101 | DEFROST CONTROL BOARD (M1, M2, M3, M4, M5, M6, M11, M12, M13, M14, M17, M18, M19, M20, M23, M24, M25, M26, M27) | M13 | - | SSZ160361AC |
| 61 | PCBDM133 | DEFROST CONTROL BOARD (M7, M8, M9, M10, M15, M16, M21, M22, M28, M29, M30) | M14 | - | SSZ160361AD |
| 81 | CONT1P025024V | CONTACTOR 25 AMP, 1P, 24V (M1, M2, M3, M4, M5, M6, M7, M8, M9, M10, M11, M12, M13, M14, M15, M16) | M15 | - | SSZ160361AE |
| 81 | CONT1P030024V | CONTACTOR 30 AMP, 1P, 24V (M17, M18, M19, M20, M21, M22) | M16 | - | SSZ160361AF |
| 81 | CONT2P040024V | CONTACTOR 40 AMP, 2P, 24V (M23, M24, M25, M26, M27, M28, M29, M30) | M17 | - | SSZ160481AA |
| NS | 0161R00009P | NAMEPLATE | M18 | - | SSZ160481AB |
| | | | M19 | - | SSZ160481AC |
| | | | M20 | - | SSZ160481AD |
| | | | M21 | - | SSZ160481AE |
| | | | M22 | - | SSZ160481AF |
| | | | M23 | - | SSZ160601AA |
| | | | M24 | - | SSZ160601AB |
| | | | M25 | - | SSZ160601AC |
| | | | M26 | - | SSZ160601AD |
| | | | M27 | - | SSZ160601AE |
| | | | M28 | - | SSZ160601BA |
| | | | M29 | - | SSZ160601BB |
| | | | M30 | - | SSZ160601BC |

Compressor / Tubing Assembly/Condenser

IMAGE 1



Compressor / Tubing Assembly/Condenser

| Ref. Part No: | Description: | Ref. Part No: | Description: |
|-------------------|--|---|--|
| Image 1: | | Image 1: | |
| 11 0160M00004 | COMPRESSOR SOUND BLANKET (M1, M2, M3, M5, M6, M7, M8, M9, M10, M11, M12, M14) | 191 M0221641 | TF SHOULDER SCREW (QTY 4) |
| 11 0160M00005 | COMPRESSOR SOUND BLANKET (M17, M18, M20, M23, M24, M25, M27, M28) | 201 0121R00006PDG | BASE PAN 29" (M2, M3, M4, M5, M6, M7, M8, M9, M10) |
| 11 B1488806 | COMPRESSOR SOUND BLANKET (M19, M21, M22, M26, M29, M30) | 201 4400011PDG | BASE PAN 29" (M1) |
| 11 B1488807 | COMPRESSOR SOUND BLANKET (M13, M15, M16) | 201 0121R00007PDG | BASE PAN 35" (M12, M13, M14, M15, M16, M18, M19, M20, M21, M22, M24, M25, M26, M27, M28, M29, M30) |
| 11 B1488810 | COMPRESSOR SOUND BLANKET (M4) | 201 4400012PDG | BASE PAN 35" (M11, M17, M23) |
| 21 0151M00018 | REVERSING VALVE (M5, M6, M7, M8) | Expanded Model Nomenclature | |
| 21 0151M00019 | REVERSING VALVE (M1, M2, M3, M4) | <div style="border: 1px solid black; padding: 5px;"> M1 - SSZ160241AA M2 - SSZ160241AB M3 - SSZ160241AC M4 - SSZ160241AD M5 - SSZ160241AE M6 - SSZ160241AF M7 - SSZ160241AG M8 - SSZ160241AH M9 - SSZ160241AJ M10 - SSZ160241AK M11 - SSZ160361AA M12 - SSZ160361AB M13 - SSZ160361AC M14 - SSZ160361AD M15 - SSZ160361AE M16 - SSZ160361AF M17 - SSZ160481AA M18 - SSZ160481AB M19 - SSZ160481AC M20 - SSZ160481AD M21 - SSZ160481AE M22 - SSZ160481AF M23 - SSZ160601AA M24 - SSZ160601AB M25 - SSZ160601AC M26 - SSZ160601AD M27 - SSZ160601AE M28 - SSZ160601BA M29 - SSZ160601BB M30 - SSZ160601BC </div> | |
| 21 0151M00021 | REVERSING VALVE (M11, M12, M13, M14, M15, M17, M18, M19, M20, M21, M23, M24, M25, M26, M27, M28, M29) | | |
| 21 0151R00068 | REVERSING VALVE (M9, M10) | | |
| 21 0151R00071 | REVERSING VALVE (M16, M22, M30) | | |
| 31 ZP20K5EPFV130 | COMPRESSOR 20000, 208/230/60/1 (M1, M2, M3, M4, M5, M6, M7, M8, M9, M10) | | |
| 31 ZP29K5EPFV130 | COMPRESSOR 29000, 208/230/60/1 (M11, M12, M13, M14, M15, M16) | | |
| 31 ZP38K5EPFV130 | COMPRESSOR 37500, 208/230/60/1 (M17, M18, M19, M20, M21, M22) | | |
| 31 ZPS49K5EPFV130 | COMPRESSOR 49100, 208/230/60/1 (M29, M30) | | |
| 31 ZPS49K4EPFV230 | COMPRESSOR 49200, 208/230/60/1/2STG (M28) | | |
| 31 ZPS51K4EPFV230 | COMPRESSOR 52000, 208/230/60/1/2STG (M23, M24, M25, M26, M27) | | |
| 41 11046711 | THERMOSTAT DISC (M23, M24, M25, M26, M27, M28, M29, M30) | | |
| 51 B1225022 | SOLENOID COIL | | |
| 61 20270812 | COMPENSATOR (M25, M26, M27, M28, M29, M30) | | |
| 61 0151R00005 | COMPENSATOR 16 OZ (M11, M12, M13, M14, M15, M16, M17, M18, M19, M20, M21, M22, M23, M24) | | |
| 61 0151R00006 | COMPENSATOR 3.5 (M1, M2, M3, M4, M5, M6, M7, M8, M9, M10) | | |
| 71 0162R00007 | MUFFLER 1/2 X 1/2 (M4, M5, M6, M7, M8, M9, M10, M13, M14, M15, M16, M19, M20, M21, M22, M26, M27, M28, M29, M30) | | |
| 71 B1219301 | MUFFLER 1/2 X 1/2 (M25) | | |
| 81 20485201 | BI-FLOW FILTER DRIER | | |
| 91 0151R00079 | BASE VALVE 3/4" (M1, M2, M3, M4, M5, M6, M7, M8, M9, M10) | | |
| 91 0151R00080 | BASE VALVE 7/8" (M11, M12, M13, M14, M15, M16, M17, M18, M19, M20, M21, M22, M23, M24, M25, M26, M27, M28, M29, M30) | | |
| 101 0151R00078 | BASE VALVE 3/8" | | |
| 111 B1787000 | VALVE CORE | | |
| 121 0130R00001 | LOW PRESSURE SWITCH (M1, M2, M3, M4, M5, M6, M11, M12, M13, M14, M17, M18, M19, M20, M23, M24, M25, M26, M27) | | |
| 131 0130R00056 | HIGH PRESSURE SWITCH (M1, M2, M3, M4, M5, M6, M11, M12, M13, M14, M17, M18, M19, M20, M23, M24, M25, M26, M27) | | |
| 141 20468101 | COMPRESSOR SOLENOID CABLE (M23, M24, M25, M26, M27, M28, M29, M30) | | |
| 171 0151M00002 | TXV VALVE (M11, M12, M13, M14, M15, M16) | | |
| 171 0151M00004 | TXV VALVE (M1, M2, M3, M4, M5, M6, M7, M8, M9, M10) | | |
| 171 0151M00010 | TXV VALVE (M21, M22, M25, M26, M27, M28, M29, M30) | | |
| 171 0151R00009 | TXV VALVE (M17, M18, M19, M20, M23, M24) | | |
| 181 B1339533 | COMPRESSOR GROMMET (QTY 4) | | |

Tubing Assembly/Condenser

IMAGE 1

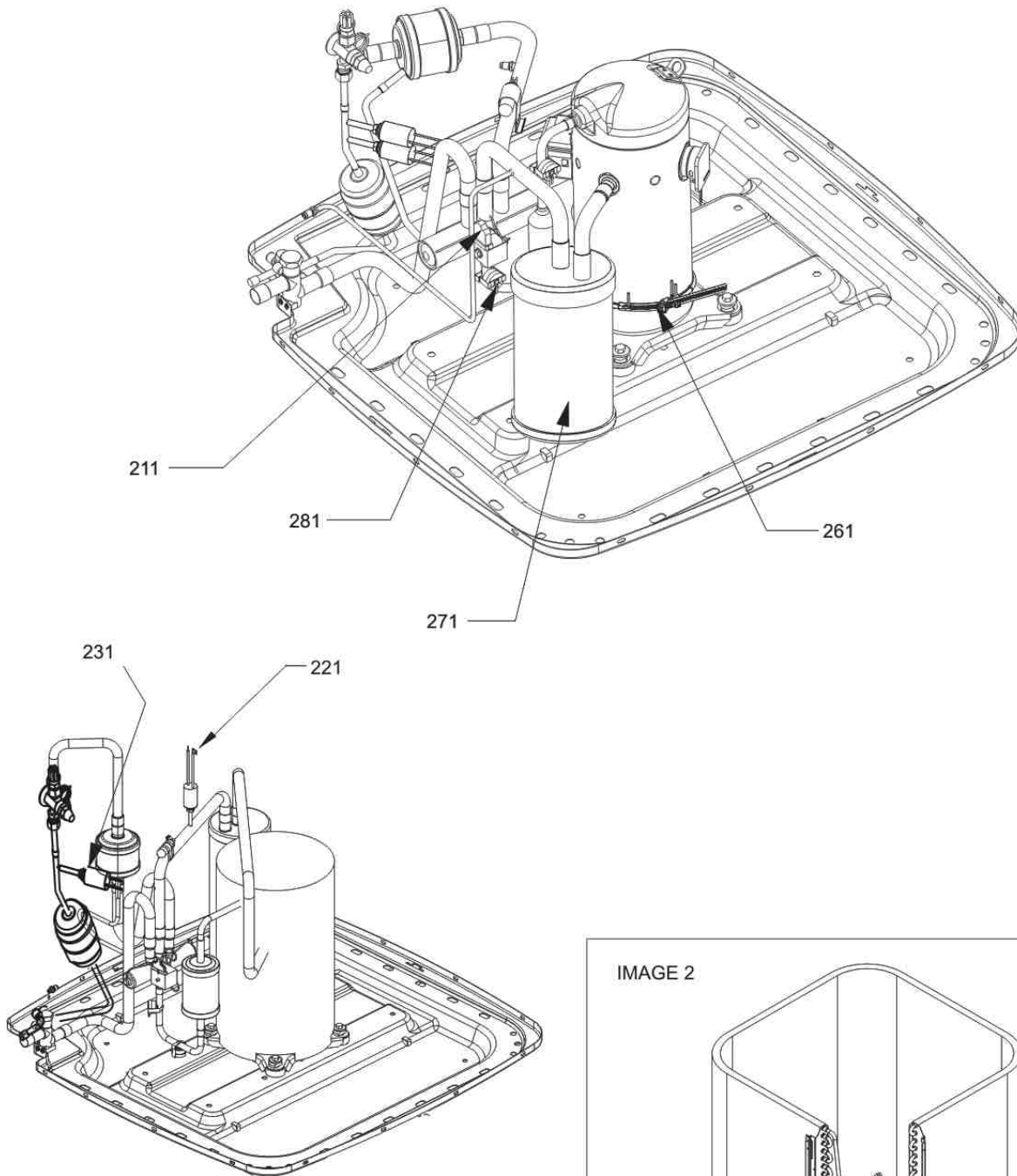
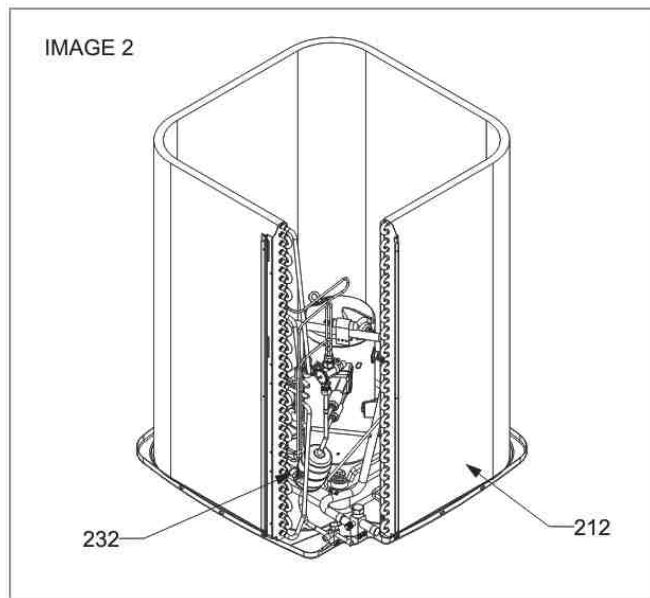


IMAGE 2



Tubing Assembly/Condenser

| Ref. Part No: | No: | Description: | Ref. Part No: | No: | Description: |
|-----------------|-------------|--|------------------------------------|-------------|--------------|
| Image 1: | | | Expanded Model Nomenclature | | |
| 211 | 0130M00083 | REVERSING VALVE HARNESS (M6, M7, M8, M9, M10, M14, M15, M16, M20, M21, M22, M27, M28, M29, M30) | M1 - | SSZ160241AA | |
| 211 | B1225020 | SOLENOID COIL CORD W/1/4"TERMINAL (M1, M2, M3, M4, M5, M11, M12, M13, M17, M18, M19, M23, M24, M25, M26) | M2 - | SSZ160241AB | |
| 221 | 0130M00088 | SW-CUTOUT LOW PRESS (M7, M8, M9, M10, M15, M16, M21, M22, M28, M29, M30) | M3 - | SSZ160241AC | |
| 231 | 0130M00089 | SW-CUTOUT HI PRESS (M7, M8, M9, M10, M15, M16, M21, M22, M28, M29, M30) | M4 - | SSZ160241AD | |
| 261 | 0163R00006 | HEATER, CRANKCASE 230V, 40W (M7, M8, M9, M10, M15, M16) | M5 - | SSZ160241AE | |
| 261 | 0163R00007 | HEATER, CRANKCASE 230V, 40W (M21, M22, M28, M29, M30) | M6 - | SSZ160241AF | |
| 271 | 0151L00008 | ACCUMULATOR (M7, M8, M9, M10) | M7 - | SSZ160241AG | |
| 271 | 0151L00009 | ACCUMULATOR (M15, M16) | M8 - | SSZ160241AH | |
| 271 | 0151L00010 | ACCUMULATOR (M21, M22, M28, M29, M30) | M9 - | SSZ160241AJ | |
| 281 | 0130M00106 | DISC THERMOSTAT CRNKCS HTR SW (M7, M8, M9, M10, M15, M16, M21, M22, M28, M29, M30) | M10 - | SSZ160241AK | |
| NS | 0159R00001P | COMPRESSOR SCROLL HARNESS (M1, M2, M3, M4, M5, M6, M7, M8, M9, M10) | M11 - | SSZ160361AA | |
| NS | 0159R00002P | COMPRESSOR SCROLL HARNESS (M11, M12, M13, M14, M15, M16, M17, M18, M19, M20, M21, M22) | M12 - | SSZ160361AB | |
| NS | 0159R00009 | COMPRESSOR SCROLL HARNESS (M29, M30) | M13 - | SSZ160361AC | |
| Image 2: | | | M14 - | SSZ160361AD | |
| 212 | 0201R00074 | TUBING ASSY, COND COIL (M1, M2, M3, M4, M5, M6) | M15 - | SSZ160361AE | |
| 212 | 0201R00075 | TUBING ASSY, COND COIL (M11, M12, M13, M14) | M16 - | SSZ160361AF | |
| 212 | 0201R00076 | TUBING ASSY, COND COIL (M17, M18, M19, M20, M23, M24) | M17 - | SSZ160481AA | |
| 212 | 0201R00147 | TUBING ASSY, COND COIL (M25, M26, M27) | M18 - | SSZ160481AB | |
| 212 | 0201R00342 | TUBING ASSY, COND COIL (M28, M29, M30) | M19 - | SSZ160481AC | |
| 212 | 0201R00343 | TUBING ASSY, COND COIL (M7, M8, M9, M10) | M20 - | SSZ160481AD | |
| 212 | 0201R00344 | TUBING ASSY, COND COIL (M15, M16) | M21 - | SSZ160481AE | |
| 212 | 0201R00345 | TUBING ASSY, COND COIL (M21, M22) | M22 - | SSZ160481AF | |
| 232 | 0130M00105 | CONTROL, DEFROST | M23 - | SSZ160601AA | |
| NS | 0163M00087 | ACCESS FITTING (M7, M8, M9, M10, M15, M16, M21, M22, M28, M29, M30) | M24 - | SSZ160601AB | |
| NS | B1373305 | ACCESS FITTING | M25 - | SSZ160601AC | |
| NS | B1373310 | ACCESS FITTING (M1, M2, M3, M4, M5, M6, M11, M12, M13, M14, M17, M18, M19, M20, M23, M24, M25, M26, M27) | M26 - | SSZ160601AD | |
| NS | 0163M00175 | CAP WITH O-RING | M27 - | SSZ160601AE | |
| NS | B1796633 | TEFLON O-RING (QTY 2) | M28 - | SSZ160601BA | |
| | | | M29 - | SSZ160601BB | |
| | | | M30 - | SSZ160601BC | |

Cabinet Top / Side Panels

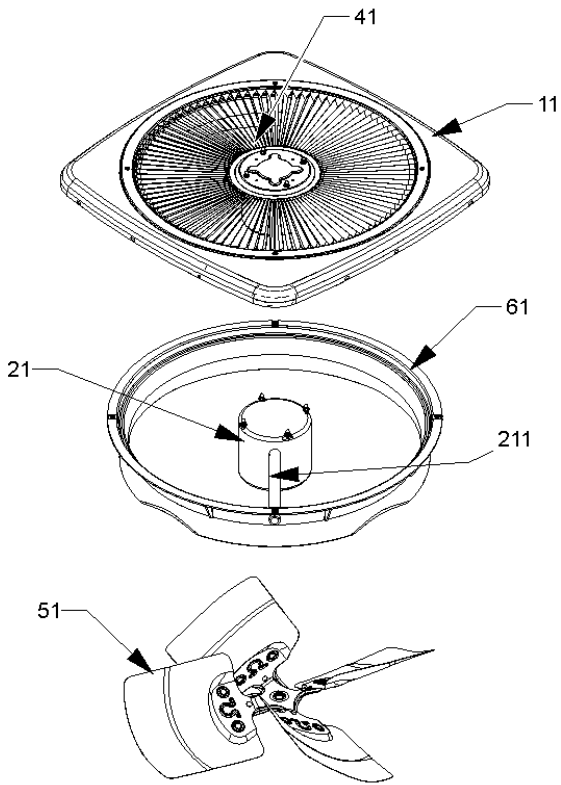


Image 1

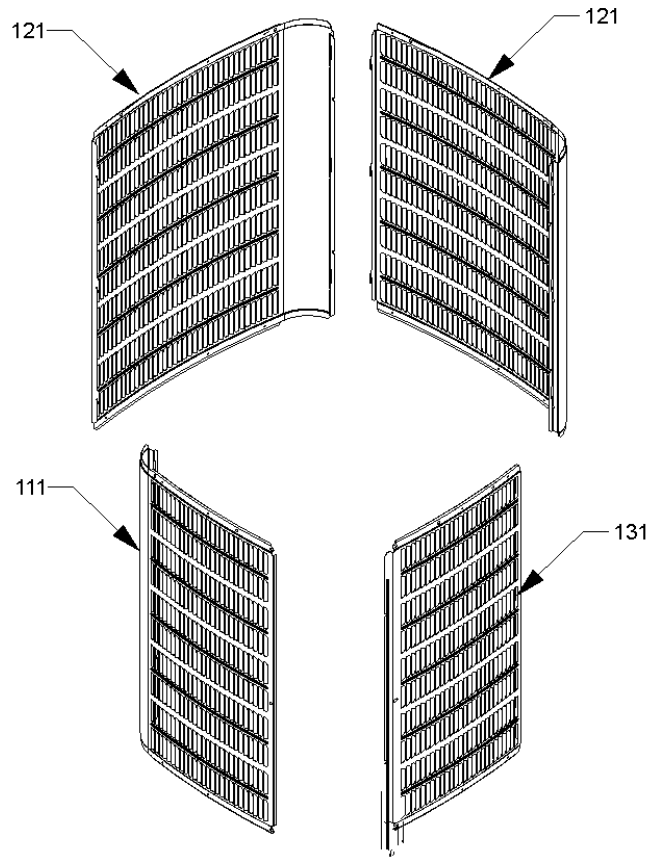
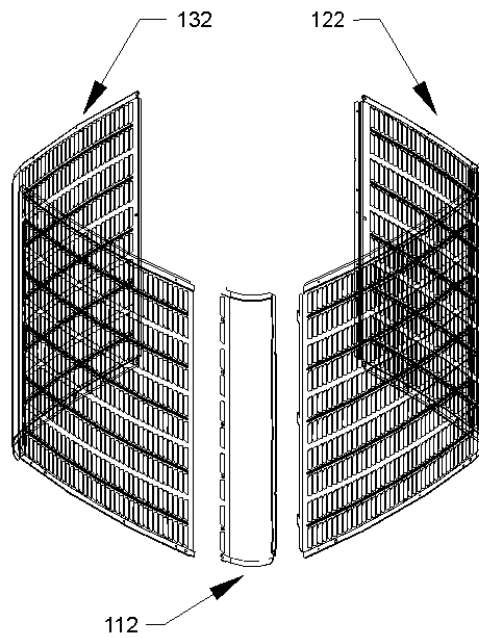


Image 2



Cabinet Top / Side Panels

| Ref. Part No: | Description: | Ref. Part No: | Description: |
|-----------------|---|------------------------------------|---------------|
| Image 1: | | Expanded Model Nomenclature | |
| 11 | 4400067PDG PANEL, LOUVER TOP PNT (M1) | M1 | - SSZ160241AA |
| 11 | 4400092PDG PANEL, LOUVER TOP, 35", PNT (M11, M17, M23) | M2 | - SSZ160241AB |
| 11 | 0121R00010PDG TOP PANEL 29" (M2, M3, M4, M5, M6, M7, M8, M9, M10) | M3 | - SSZ160241AC |
| 11 | 0121R00269PDG Top Panel, 35" Pnt (M12, M13, M14, M15, M16, M18, M19, M20, M21, M22, M24, M25, M26, M27, M28, M29, M30) | M4 | - SSZ160241AD |
| 21 | 0131M00012P COND MOTOR 1/6 HP, 1 SP, 8 PL (M11, M12, M13, M14, M15, M16, M17, M18, M19, M20, M21, M22) | M5 | - SSZ160241AE |
| 21 | 0131M00016P COND MOTOR 1/6 HP, 1 SP, 8 PL (M1, M2) | M6 | - SSZ160241AF |
| 21 | 0131M00060 COND MOTOR 1/6 HP, 1 SP, 8 PL (M3, M4, M5, M6, M7, M8, M9) | M7 | - SSZ160241AG |
| 21 | 0131M00038 COND MOTOR 1/6 HP, 2 SP, 8 PL (M23, M24, M25, M26, M27, M28, M29, M30) | M8 | - SSZ160241AH |
| 21 | 0131M00753 COND MOTOR, 1/6HP, 1SP, 8PL, AL (M10) | M9 | - SSZ160241AJ |
| 41 | 0163M00006P ACORN NUT 5/16 HEX BLACK (M2, M3, M4, M5, M6, M7, M8, M9, M10, M11, M12, M13, M14, M15, M16, M17, M18, M19, M20, M21, M22, M24, M25, M26, M27, M28, M29, M30) | M10 | - SSZ160241AK |
| 41 | B1783803 ACORN NUT 5/16 HEX YELLOW ZINC (M1, M23) | M11 | - SSZ160361AA |
| 51 | 0150M00008 FAN BLADE 22" TNT2203-25 (M2, M3, M4, M5, M6, M7, M8, M9, M10) | M12 | - SSZ160361AB |
| 51 | 10625738 FAN BLADE 26" ALUM CCW (M11, M12, M13, M14, M15, M16, M17, M18, M19, M20, M21, M22, M23, M24, M25, M26, M27, M28, M29, M30) | M13 | - SSZ160361AC |
| 51 | B1086764 FAN BLADE TYPE 2 (M1) | M14 | - SSZ160361AD |
| 61 | 0161L00000 VENTURI RING 22" (M1, M2, M3, M4, M5, M6, M7, M8, M9, M10) | M15 | - SSZ160361AE |
| 61 | 0161R00007P VENTURI RING 35" (M11, M12, M13, M14, M15, M16, M17, M18, M19, M20, M21, M22, M23, M24, M25, M26, M27, M28, M29, M30) | M16 | - SSZ160361AF |
| 111 | 0121R00027PDGB LOUVERED SIDE PANEL [LT OF CNTL PNL] (M2, M3, M4, M5, M6, M7) | M17 | - SSZ160481AA |
| 111 | 0121R00043PDGB LOUVERED SIDE PANEL [LT OF CNTL PNL] (M12, M13, M14, M15, M16, M18, M19, M20, M21, M22, M24, M25, M26, M27, M28, M29, M30) | M18 | - SSZ160481AB |
| 111 | 4400131PDG PANEL, LOUVER SIDE PNT (M1) | M19 | - SSZ160481AC |
| 111 | 4400138PDG PANEL, LOUVER SIDE, PNT (M11, M17, M23) | M20 | - SSZ160481AD |
| 121 | 0121R00033PDGB LOUVERED SIDE PANEL (M2, M3, M4, M5, M6, M7) | M21 | - SSZ160481AE |
| 121 | 0121R00047PDGB LOUVERED SIDE PANEL (M12, M13, M14, M15, M16, M18, M19, M20, M21, M22, M24, M25, M26, M27, M28, M29, M30) | M22 | - SSZ160481AF |
| 121 | 4400140PDG PANEL, LOUVER SIDE, PNT (M11, M17, M23) | M23 | - SSZ160601AA |
| 121 | 4400133PDG PANEL, LOUVER SIDE PNT (M1) | M24 | - SSZ160601AB |
| 131 | 0121R00039PDG LOUVERED SIDE PANEL [RT OF CNTL PNL] (M2, M3, M4, M5, M6, M7) | M25 | - SSZ160601AC |
| 131 | 0121R00051PDG LOUVERED SIDE PANEL [RT OF CNTL PNL] (M12, M13, M14, M15, M16, M18, M19, M20, M21, M22, M24, M25, M26, M27, M28, M29, M30) | M26 | - SSZ160601AD |
| 131 | 4400135PDG PANEL, LOUVER SIDE PNT (M1) | M27 | - SSZ160601AE |
| 131 | 4400142PDG PANEL, LOUVER SIDE, PNT (M11, M17, M23) | M28 | - SSZ160601BA |
| 211 | 0161R00002P CONDUIT (M1, M2, M3, M4, M5, M6, M7, M8, M9, M10) | M29 | - SSZ160601BB |
| 211 | 0161R00004P CONDUIT (M11, M12, M13, M14, M15, M16, M17, M18, M19, M20, M21, M22, M23, M24, M25, M26, M27, M28, M29, M30) | M30 | - SSZ160601BC |

Image 2:

| | |
|-----|--|
| 22 | 0121R00353PDG LOUVER POST 34.49 (M8, M9, M10) |
| 122 | 0121R00345PDGLS LOUVER PANEL 29" 34.49 (M8, M9, M10) |
| 132 | 0121R00345PDGRS LOUVER PANEL 29" 34.49 [RIGHT] (M8, M9, M10) |