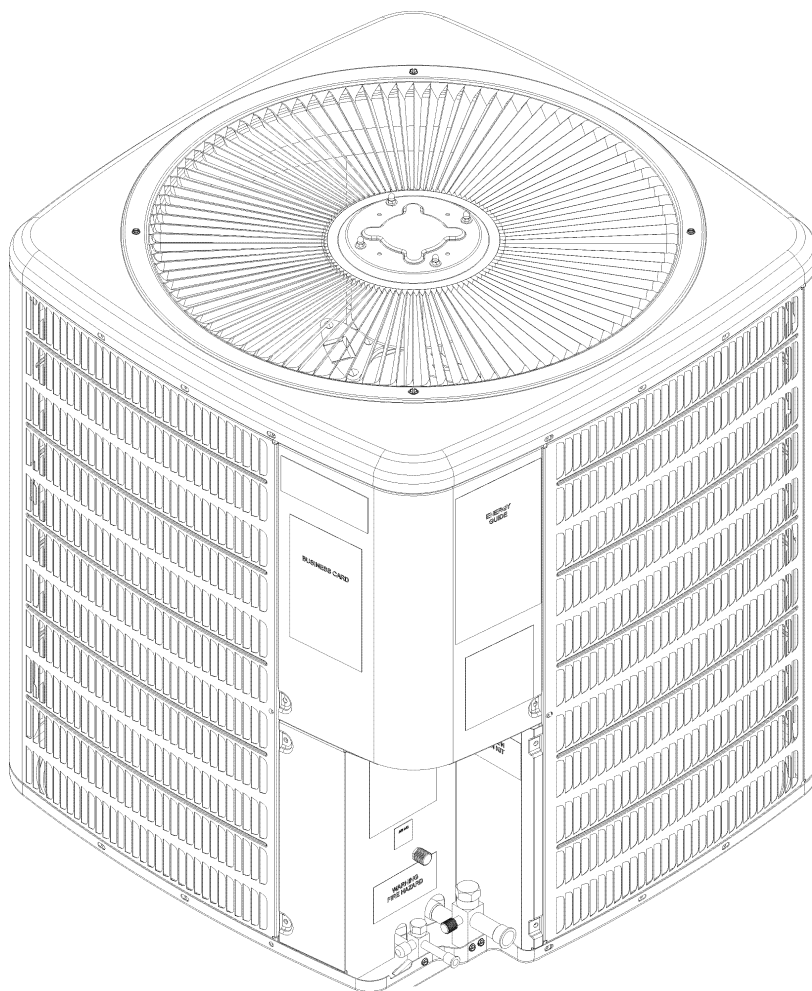


# REPAIR PARTS

---

## SSZ14 Remote Heat Pump

SSZ140361BE  
SSZ140371AE  
SSZ140421AK  
SSZ140481AK  
SSZ140601AK



This manual is to be used by qualified technicians only.

© 2016 Goodman Manufacturing Company, L.P. ♦ 5151 San Felipe St., Suite 500 ♦ Houston, TX 77056

# Important Information

---

## Index

Functional Parts List .....	3
Illustration and Parts .....	4 - 9

*Views shown are for parts illustrations only, not servicing procedures.*

### Text Codes:

AR - As Required

NA - Not Available

NS - Not Shown

00000000 - See Note

QTY - Quantity Example (QTY 3) (If Quantity not shown, Quantity = 1)

M - Model Example (M1) (If M Code not shown, then part is used on all Models)

### Expanded Model Nomenclature:

Example M1 - Model#1 M2 - Model#2 M3 - Model#3
---

Goodman Manufacturing Company, L.P. is not responsible for personal injury or property damage resulting from improper service. Review all service information before beginning repairs.

Warranty service must be performed by an authorized technician, using authorized factory parts. If service is required after the warranty expires, Goodman Manufacturing Company, L.P. also recommends contacting an authorized technician and using authorized factory parts.

Goodman Manufacturing Company, L.P. reserves the right to discontinue, or change at any time, specifications or designs without notice or without incurring obligations.

For assistance within the U.S.A. contact:  
Homeowner Support  
Goodman Manufacturing Company, L.P.  
19001 Kermier Road  
Waller, Texas 77484  
877-254-4729-Telephone  
713-863-2382-Facsimile

For assistance outside the U.S.A. contact:  
International Division  
Goodman Manufacturing Company, L.P.  
19001 Kermier Road  
Waller, Texas 77484  
713-861-2500-Telephone  
713-863-2382-Facsimile

# Functional Parts

## Part

## No: Description:

---

0151R00079	BASE VALVE 3/4" (M1, M2)
0151R00078	BASE VALVE 3/8"
0151R00080	BASE VALVE 7/8" (M3, M4, M5)
CAP050450440CT	CAPACITOR 5/45/440V/DUAL RD (M1, M2, M3, M4)
CAP050700440CT	CAPACITOR 5/70/440V/DUAL RD (M5)
ZP29K5EPFV130	COMP,29000,208/230/60/1 (M1, M2)
ZP34K5EPFV130	COMPRESSOR 34500, 208/230/60/1 (M3)
ZP39K5EPFV130	COMPRESSOR 39000, 208/230/60/1 (M4)
ZP51K5EPFV130	COMPRESSOR 51000, 208/230/60/1 (M5)
CONT1P025024V	CONTACTOR 25 AMP, 1P, 24V (M1, M2, M3)
CONT1P030024V	CONTACTOR 30 AMP, 1P, 24V (M4, M5)
0130M00105	CONTROL, DEFROST
0130M00089	CUT-OUT SWITCH, HIGH PRESSURE
0130M00088	CUT-OUT SWITCH, LOW PRESSURE
PCBDM133	DEFROST CONTROL BOARD
0130M00106	DISC THERMOSTAT(CRNKCS HTR SW)
0163R00006	HEATER, CRANKCASE 230V, 40W (M1, M2)
0163R00007	HEATER, CRANKCASE 230V, 40W (M3, M4, M5)
0131M00807	MOTOR, 1/4HP,1SP,8PL,AL
0151R00071	REVERSING VALVE (M3, M4, M5)
0151R00069	REVERSING VALVE (M1, M2)
B1225022	SOLENOID COIL

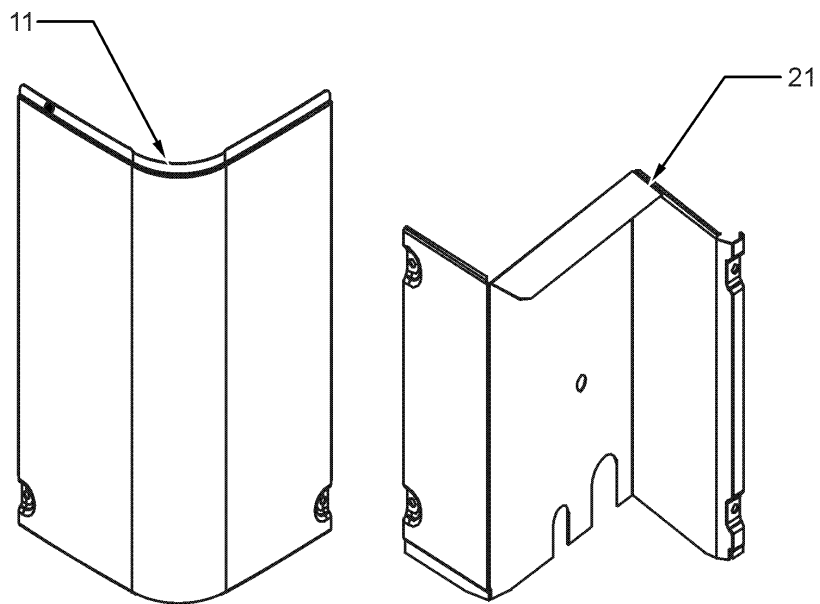
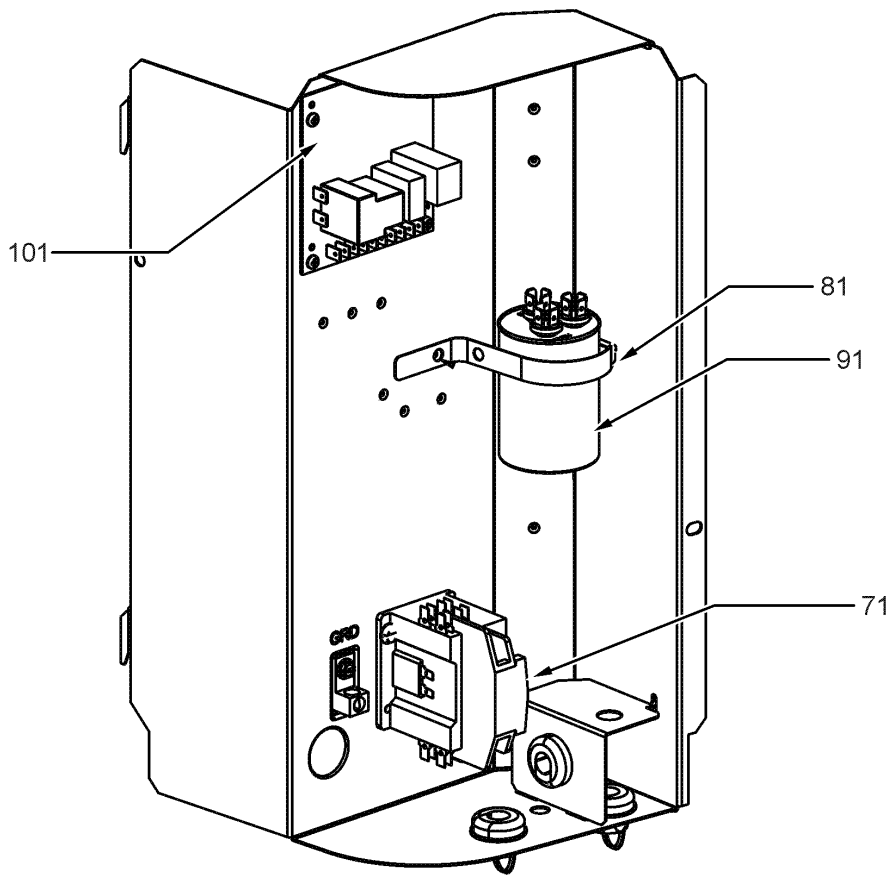
### SPECIAL PARTS

0161R00009P NAMEPLATE

### Expanded Model Nomenclature

M1 - SSZ140361BE
M2 - SSZ140371AE
M3 - SSZ140421AK
M4 - SSZ140481AK
M5 - SSZ140601AK

# Control Panel Assembly



# Control Panel Assembly

Ref. Part No: No:	Description:	Ref. Part No: No:	Description:
-------------------	--------------	-------------------	--------------

---

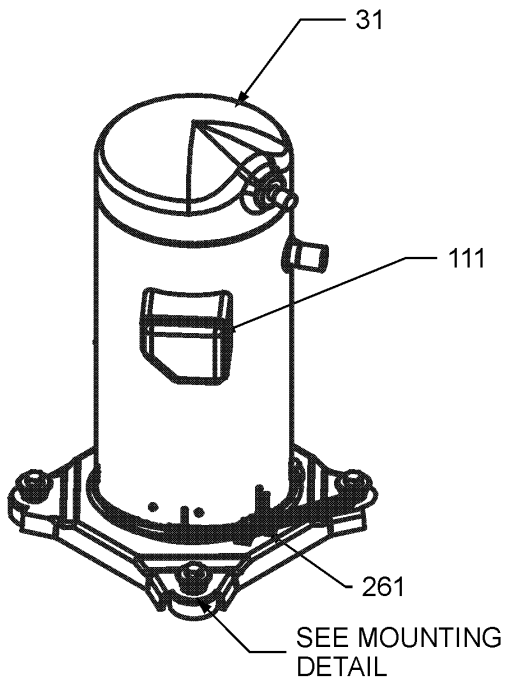
**Image 1:**

11	0121R00053PDG	CONTROL COVER
21	0121R00318PDG	PANEL, LOWER ACCESS (M1, M2, M3, M5)
21	0121R00321PDG	PANEL, LOWER ACCESS (M4)
71	CONT1P025024V	CONTACTOR 25 AMP, 1P, 24V (M1, M2, M3)
71	CONT1P030024V	CONTACTOR 30 AMP, 1P, 24V (M4, M5)
81	4400065	CAPACITOR STRAP
91	CAP050450440CT	CAPACITOR 5/45/440V/DUAL RD (M1, M2, M3, M4)
91	CAP050700440CT	CAPACITOR 5/70/440V/DUAL RD (M5)
101	PCBDM133	DEFROST CONTROL BOARD
NS	0161R00009P	NAMEPLATE

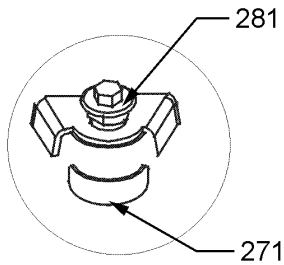
**Expanded Model Nomenclature**

M1 - SSZ140361BE
M2 - SSZ140371AE
M3 - SSZ140421AK
M4 - SSZ140481AK
M5 - SSZ140601AK

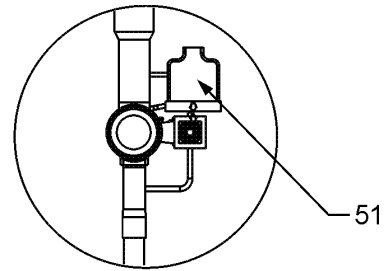
# Tubing / Compressor Assembly



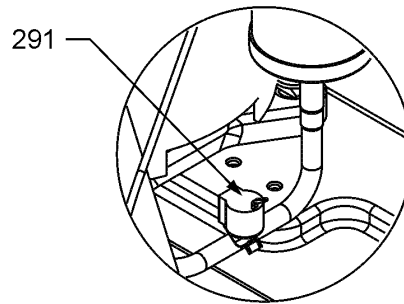
COMPRESSOR DETAIL



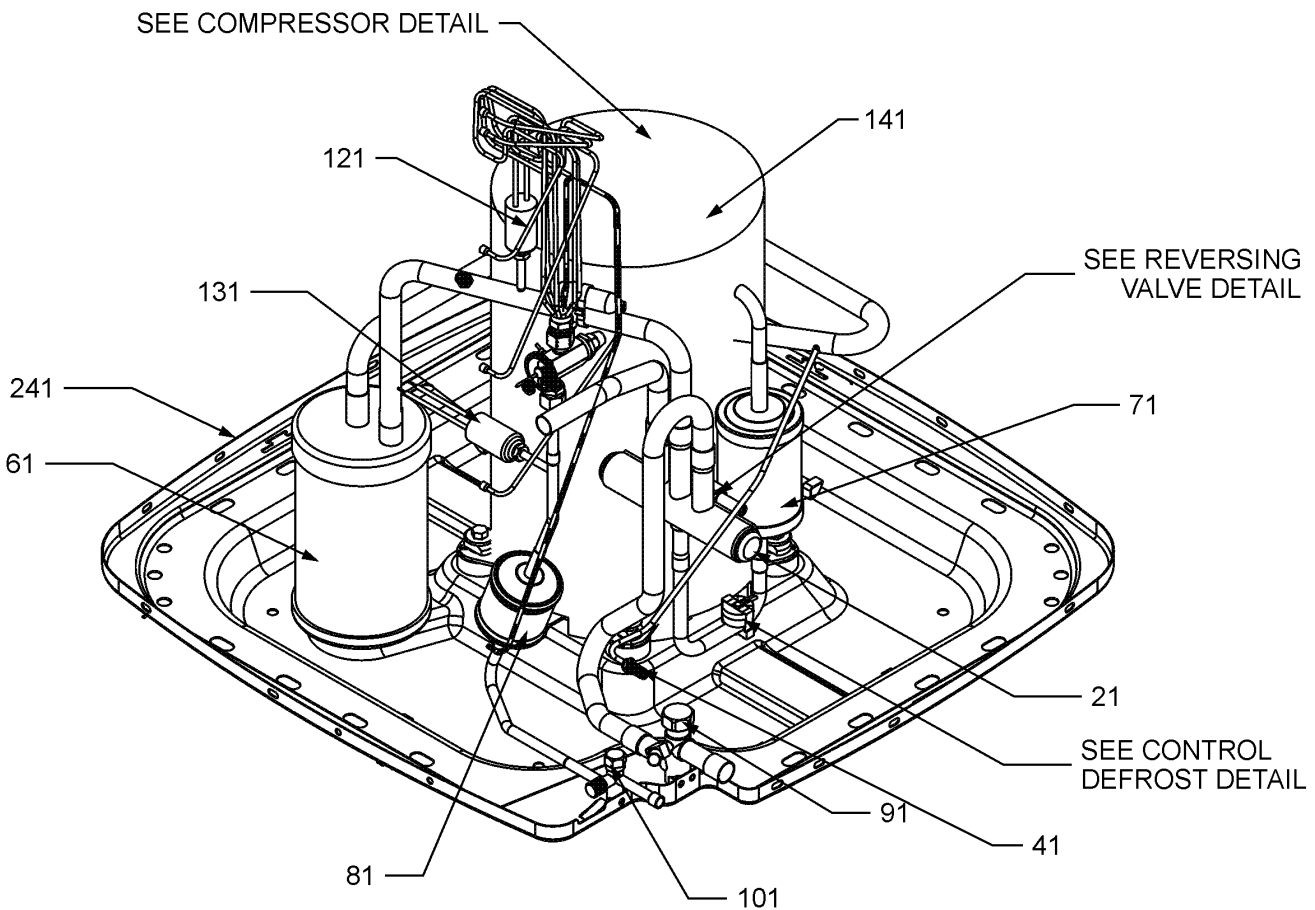
MOUNTING DETAIL



REVERSING VALVE DETAIL



CONTROL DEFROST DETAIL



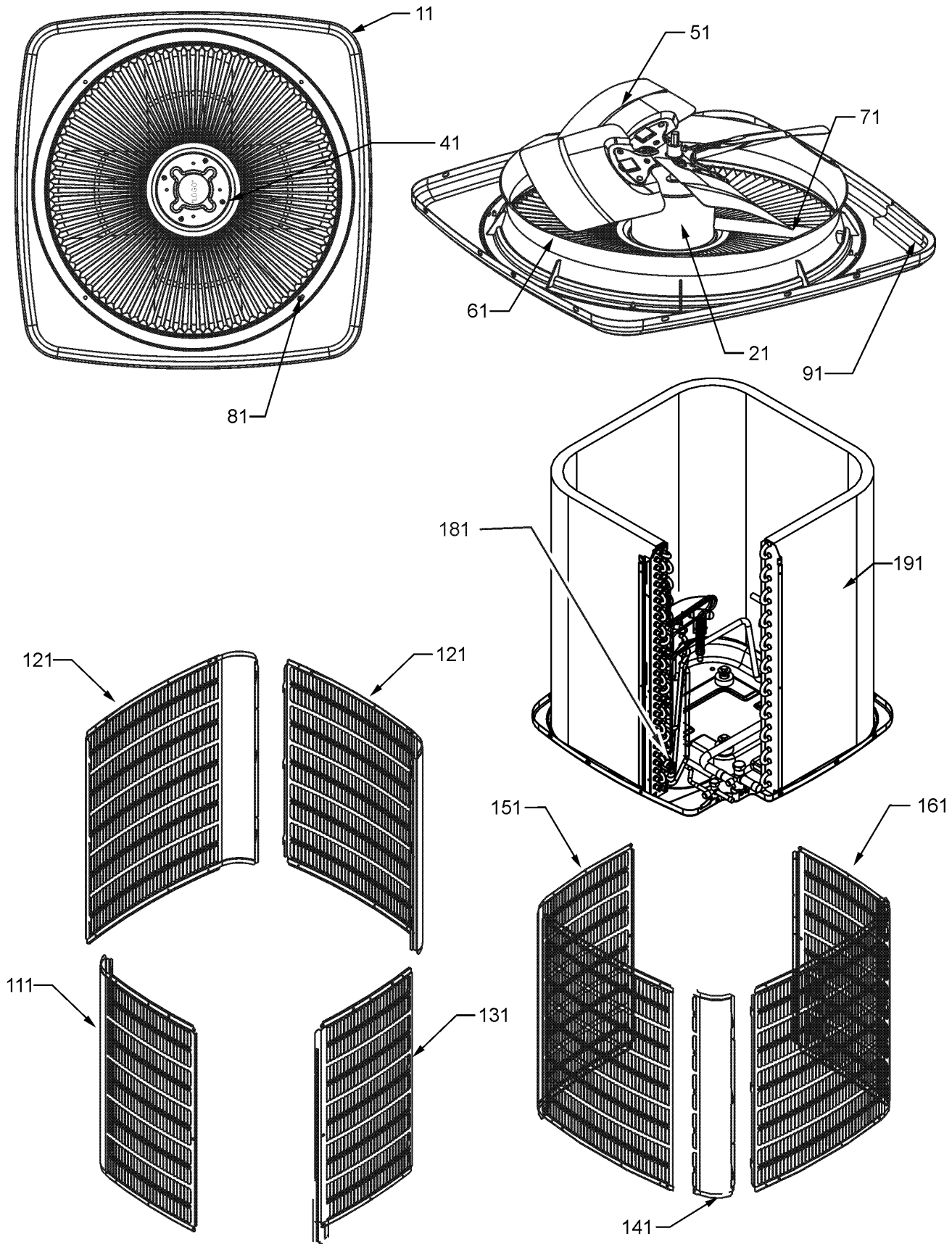
# Tubing / Compressor Assembly

Ref. Part No:	Ref. Part No:	Description:	Description:
<b>Image 1:</b>			
21	0151R00069	REVERSING VALVE (M1, M2)	
21	0151R00071	REVERSING VALVE (M3, M4, M5)	
31	ZP29K5EPFV130	COMP,29000,208/230/60/1 (M1, M2)	
31	ZP34K5EPFV130	COMPRESSOR 34500, 208/230/60/1 (M3)	
31	ZP39K5EPFV130	COMPRESSOR 39000, 208/230/60/1 (M4)	
31	ZP51K5EPFV130	COMPRESSOR 51000, 208/230/60/1 (M5)	
41	0163M00175	CAP WITH O-RING	
51	0130M00083	REVERSING VALVE HARNESS	
61	0151L00008	ACCUMULATOR (M1, M2)	
61	B1226207	ACCUMULATOR .875 (M3, M4, M5)	
71	0162R00007	MUFFLER 1/2 X 1/2	
81	20485201	BI-FLOW FILTER DRIER	
91	0151R00079	BASE VALVE 3/4" (M1, M2)	
91	0151R00080	BASE VALVE 7/8" (M3, M4, M5)	
101	0151R00078	BASE VALVE 3/8"	
111	0159R00002P	COMPRESSOR SCROLL HARNESS	
121	0130M00088	CUT-OUT SWITCH, LOW PRESSURE	
131	0130M00089	CUT-OUT SWITCH, HIGH PRESSURE	
141	0160M00004	COMPRESSOR SOUND BLANKET	
241	0121R00006PDG	BASE PAN 29" (M1, M2)	
241	0121R00007PDG	BASE PAN 35" (M3, M4, M5)	
261	0163R00006	HEATER, CRANKCASE 230V, 40W (M1, M2)	
261	0163R00007	HEATER, CRANKCASE 230V, 40W (M3, M4, M5)	
271	B1339533	COMPRESSOR GROMMET (QTY 4)	
281	M0221641	TF SHOULDER SCREW (QTY 4)	
291	0130M00106	DISC THERMOSTAT(CRNKCS HTR SW)	
NS	B1225022	SOLENOID COIL	
NS	B1787000	VALVE CORE	

## Expanded Model Nomenclature

M1 - SSZ140361BE
M2 - SSZ140371AE
M3 - SSZ140421AK
M4 - SSZ140481AK
M5 - SSZ140601AK

# Cabinet Top / Side Panel Assembly



# Cabinet Top / Side Panel Assembly

Ref. Part No:	Part No:	Description:	Ref. Part No:	Part No:	Description:
<i>Image 1:</i>					
11	0121R00010PDG	TOP PANEL 29" (M1, M2)			
11	0121R00269PDG	Top Panel, 35" Pnt (M3, M4, M5)			
21	0131M00807	MOTOR, 1/4HP,1SP,8PL,AL			
41	0163M00006P	ACORN NUT 5/16 HEX BLACK (QTY 4)			
51	10625738	FAN BLADE 26" ALUM CCW (M3, M4, M5)			
51	B1086765	FAN BLADE TYPE 3 (M1, M2)			
61	0161L00000	VENTURI RING 22" (M1, M2)			
71	0161R00002P	CONDUIT (M1, M2)			
71	0161R00005P	CONDUIT (M3, M4, M5)			
81	0163M00004	SCREW #10X3/4", BLACK (M1, M2)			
91	0154R00006	GASKET, CONTROL PANEL			
111	0121R00042PDGB	LOUVERED SIDE PANEL [LT OF CNTL PNL] (M4)			
111	0121R00043PDGB	LOUVERED SIDE PANEL [LT OF CNTL PNL] (M3, M5)			
121	0121R00046PDGB	LOUVERED SIDE PANEL (M4)			
121	0121R00047PDGB	LOUVERED SIDE PANEL (M3, M5)			
131	0121R00050PDG	LOUVERED SIDE PANEL [RT OF CNTL PNL] (M4)			
131	0121R00051PDG	LOUVERED SIDE PANEL [RT OF CNTL PNL] (M3, M5)			
141	0121R00353PDG	LOUVER POST 34.49 (M1, M2)			
151	0121R00345PDGLS	LOUVER PANEL 29"_34.49 (M1, M2)			
161	0121R00345PDGRS	LOUVER PANEL 29"_34.49 (M1, M2)			
181	0130M00105	CONTROL, DEFROST			
191	0201R00351	COIL TUBING ASSEMBLY, 36X1 (M1)			
191	0201R00424	COIL TUBING ASSEMBLY, 36X1 (M2)			
191	0201R00060S	TUBING ASSY, COND COIL (M4)			
191	0201R00072S	TUBING ASSY, COND COIL (M3)			
191	0201R00073S	TUBING ASSY, COND COIL (M5)			
NS	B1789859	FLOW CHECK PISTON KIT .059 (M2)			
NS	0163M00003P	SCREW #10 X 1/2, A, SLOT, SR, BLACK (M3, M4, M5)			

## Expanded Model Nomenclature

M1 - SSZ140361BE
M2 - SSZ140371AE
M3 - SSZ140421AK
M4 - SSZ140481AK
M5 - SSZ140601AK