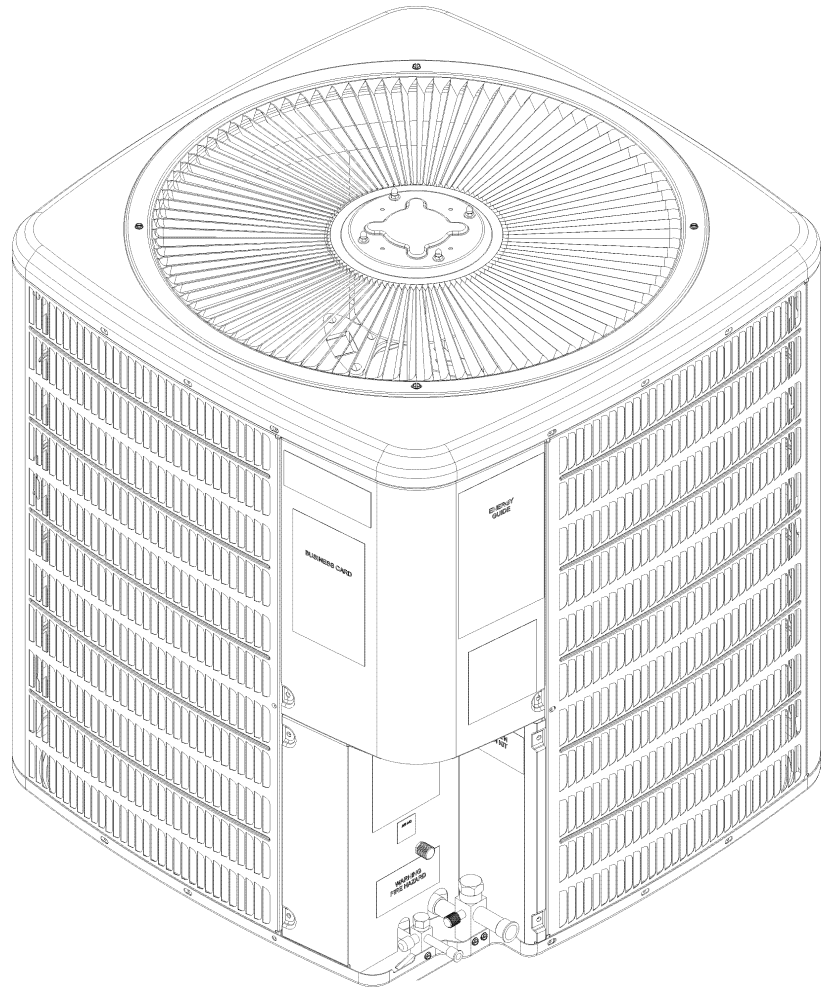


REPAIR PARTS

SSZ14 Remote Heat Pump

SSZ140181AJ
SSZ140181AK
SSZ140191AA
SSZ140191AB
SSZ140191AC
SSZ140191AD
SSZ140241AM
SSZ140241AN
SSZ140251AA
SSZ140251AB
SSZ140251AC
SSZ140251AD
SSZ140301AJ
SSZ140301AK
SSZ140311AA
SSZ140311AB
SSZ140311AC
SSZ140311AD
SSZ140361BC
SSZ140361BD
SSZ140371AA
SSZ140371AB
SSZ140371AC
SSZ140371AD
SSZ140381AB
SSZ140381AC
SSZ140421AH
SSZ140421AJ
SSZ140481AH
SSZ140601AH



This manual is to be used by qualified technicians only.

This manual replaces RP-710B.

© 2012-2014 Goodman Manufacturing Company, L.P. ♦ 5151 San Felipe St., Suite 500 ♦ Houston, TX 77056

Important Information

Index

Functional Parts List	3
Illustration and Parts	4 - 9

Views shown are for parts illustrations only, not servicing procedures

Rev C: Replacing SanHua Reversing Valves

Text Codes:

AR - As Required

NA - Not Available

NS - Not Shown

00000000 - See Note

QTY - Quantity Example (QTY 3) (If Quantity not shown, Quantity = 1)

M - Model Example (M1) (If M Code not shown, then part is used on all Models)

Expanded Model Nomenclature:

Example M1 - Model#1 M2 - Model#2 M3 - Model#3

Goodman Manufacturing Company, L.P. is not responsible for personal injury or property damage resulting from improper service. Review all service information before beginning repairs.

Warranty service must be performed by an authorized technician, using authorized factory parts. If service is required after the warranty expires, Goodman Manufacturing Company, L.P. also recommends contacting an authorized technician and using authorized factory parts.

Goodman Manufacturing Company, L.P. reserves the right to discontinue, or change at any time, specifications or designs without notice or without incurring obligations.

For assistance within the U.S.A. contact:
Consumer Affairs Department
Goodman Manufacturing Company, L.P.
7401 Security Way
Houston, Texas 77040
877-254-4729-Telephone
713-863-2382-Facsimile

For assistance outside the U.S.A. contact:
International Division
Goodman Manufacturing Company, L.P.
7401 Security Way
Houston, Texas 77040
713-861-2500-Telephone
713-863-2382-Facsimile

Functional Parts

Part

No: Description:

B12825171	3/8" SERVICE VALVE	0130M00088	SW-CUTOOUT LOW PRESS
CAP050450440CT	CAP, 5/45 MFD/440V/DUAL RD (M19, M20, M21, M22, M23, M24, M25, M26, M27, M28, M29)	0151R00032	VALVE, BASE 3/4" OPEN LEFT (M1, M2, M3, M4, M5, M6, M7, M8, M9, M10, M11, M12, M13, M14, M15, M16, M17, M18, M19, M20, M21, M22, M23, M24)
CAP050300440RS	CAPACITOR 5/30/370V (M1, M2, M3, M4, M5, M6)	0151R00033	VALVE, BASE 3/4" OPEN LEFT (M25, M26, M27, M28, M29, M30)
CAP050400440CT	CAPACITOR 5/40/440V/DUAL RD (M7, M8, M9, M10, M11, M12, M13, M14, M15, M16, M17, M18)		
CAP050700440CT	CAPACITOR 5/70/440V/DUAL RD (M30)		
ZP16K5EPFV130	COMPRESSOR 15500, 208/230/60/1 (M1, M2, M3, M4, M5, M6)		
ZP21K5EPFV130	COMPRESSOR 21300, 208/230/60/1 (M7, M8, M9, M10, M11, M12)		
ZP25K5EPFV130	COMPRESSOR 25200, 208/230/60/1 (M13, M14, M15, M16, M17, M18)		
ZP29K5EPFV130	COMPRESSOR 29000, 208/230/60/1 (M19, M20, M21, M22, M23, M24, M25, M26)		
ZP34K5EPFV130	COMPRESSOR 34500, 208/230/60/1 (M27, M28)		
ZP39K5EPFV130	COMPRESSOR 39000, 208/230/60/1 (M29)		
ZP51K5EPFV130	COMPRESSOR 51000, 208/230/60/1 (M30)		
0131M00019P	COND MOTOR 1/12 HP, 1 SP, 8 PL (M1, M2, M3, M4, M5, M6)		
0131M00061	COND MOTOR 1/4 HP, 1 SP, 8 PL (M19, M20, M21, M22, M23, M24, M27, M28, M29, M30)		
0131M00012P	COND MOTOR 1/6 HP, 1 SP, 8 PL (M13, M14, M15, M16, M17, M18, M25, M26)		
0131M00060	COND MOTOR 1/6 HP, 1 SP, 8 PL (M7, M8, M9, M10, M11, M12)		
CONT1P025024V	CONTACTOR 25 AMP, 1P, 24V (M1, M2, M3, M4, M5, M6, M7, M8, M9, M10, M11, M12, M13, M14, M15, M16, M17, M18, M19, M20, M21, M22, M23, M24, M25, M26, M27, M28)		
CONT1P030024V	CONTACTOR 30 AMP, 1P, 24V (M29, M30)		
0130M00105	CONTROL, DEFROST		
PCBDM133	DEFROST CONTROL BOARD		
0130M00106	DISC THERMOSTAT CRNKCS HTR SW		
10625737	FAN BLADE 22" ALUM CCW (M1, M2, M3, M4, M5, M6)		
0150M00008	FAN BLADE 22" TNT2203-25 (M7, M8, M9, M10, M11, M12)		
10625738	FAN BLADE 26" ALUM CCW (M25, M26, M27, M28, M29, M30)		
B1086764	FAN BLADE TYPE 2 (M13, M14, M15, M16, M17, M18)		
B1086765	FAN BLADE TYPE 3 (M19, M20, M21, M22, M23, M24)		
0163R00007	HEATER, CRANKCASE 230V, 40W (M27, M28, M29, M30)		
0163R00006	HEATER, CRANKCASE 230V, 40W (M1, M2, M3, M4, M5, M6, M7, M8, M9, M10, M11, M12, M13, M14, M15, M16, M17, M18, M19, M20, M21, M22, M23, M24, M25, M26)		
0162R00007	MUFFLER 1/2 X 1/2		
0151R00069	REVERSING VALVE (M14, M18, M20, M24)		
0151R00071	REVERSING VALVE (M26, M28)		
0151R00068	REVERSING VALVE (M2, M6, M8, M12)		
0151M00021	REVERSING VALVE (M25, M27, M29, M30)		
0151M00019	REVERSING VALVE (M13, M15, M16, M17, M19, M21, M22, M23)		
0151M00018	REVERSING VALVE (M1, M3, M4, M5, M7, M9, M10, M11)		
B1225022	SOLENOID COIL		
0130M00089	SW-CUTOOUT HI PRESS		

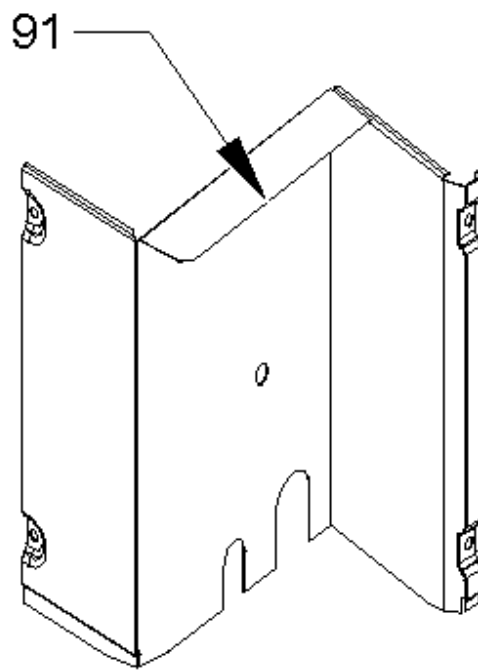
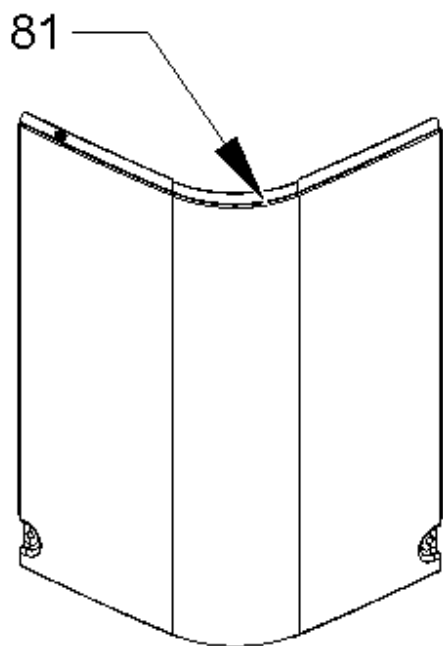
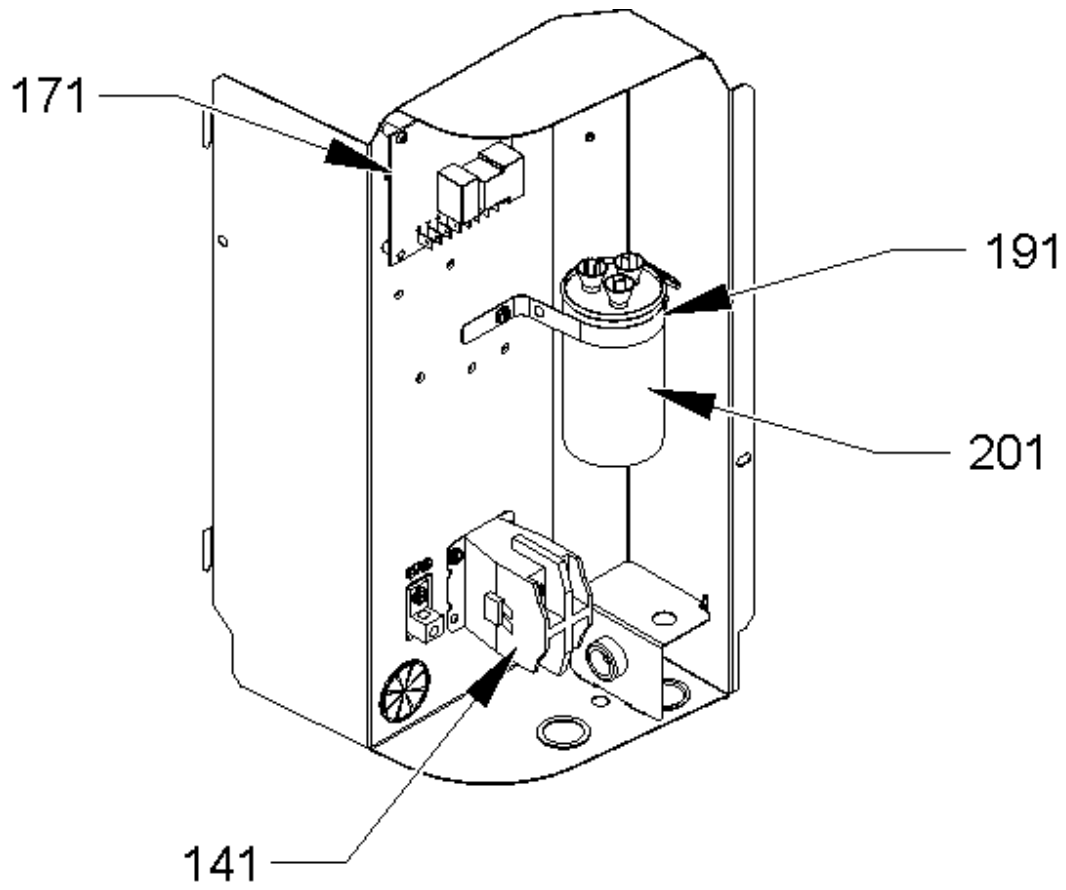
SPECIAL PARTS

0161R00009P NAMEPLATE

Expanded Model Nomenclature

M1 - SSZ140181AJ
M2 - SSZ140181AK
M3 - SSZ140191AA
M4 - SSZ140191AB
M5 - SSZ140191AC
M6 - SSZ140191AD
M7 - SSZ140241AM
M8 - SSZ140241AN
M9 - SSZ140251AA
M10 - SSZ140251AB
M11 - SSZ140251AC
M12 - SSZ140251AD
M13 - SSZ140301AJ
M14 - SSZ140301AK
M15 - SSZ140311AA
M16 - SSZ140311AB
M17 - SSZ140311AC
M18 - SSZ140311AD
M19 - SSZ140361BC
M20 - SSZ140361BD
M21 - SSZ140371AA
M22 - SSZ140371AB
M23 - SSZ140371AC
M24 - SSZ140371AD
M25 - SSZ140381AB
M26 - SSZ140381AC
M27 - SSZ140421AH
M28 - SSZ140421AJ
M29 - SSZ140481AH
M30 - SSZ140601AH

Control Panel



Control Panel

Ref. Part No: No:	Description:	Ref. Part No: No:	Description:
<i>Image 1:</i>		Expanded Model Nomenclature	
81	0121R00053PDG CONTROL COVER	M1 - SSZ140181AJ	
91	0121R00318PDG PANEL, LOWER ACCESS PNT (M7, M8, M9, M10, M11, M12, M13, M14, M15, M16, M17, M18, M19, M20, M21, M22, M23, M24, M25, M26, M27, M28, M30)	M2 - SSZ140181AK	
91	0121R00321PDG PANEL, LOWER ACCESS PNT (M1, M2, M3, M4, M5, M6, M29)	M3 - SSZ140191AA	
141	CONT1P025024V CONTACTOR 25 AMP, 1P, 24V (M1, M2, M3, M4, M5, M6, M7, M8, M9, M10, M11, M12, M13, M14, M15, M16, M17, M18, M19, M20, M21, M22, M23, M24, M25, M26, M27, M28)	M4 - SSZ140191AB	
141	CONT1P030024V CONTACTOR 30 AMP, 1P, 24V (M29, M30)	M5 - SSZ140191AC	
171	PCBDM133 DEFROST CONTROL BOARD	M6 - SSZ140191AD	
191	4400065 CAPACITOR STRAP	M7 - SSZ140241AM	
201	CAP050450440CT CAP, 5/45 MFD/440V/DUAL RD (M19, M20, M21, M22, M23, M24, M25, M26, M27, M28, M29)	M8 - SSZ140241AN	
201	CAP050300440RS CAPACITOR 5/30/370V (M1, M2, M3, M4, M5, M6)	M9 - SSZ140251AA	
201	CAP050400440CT CAPACITOR 5/40/440V/DUAL RD (M7, M8, M9, M10, M11, M12, M13, M14, M15, M16, M17, M18)	M10 - SSZ140251AB	
201	CAP050700440CT CAPACITOR 5/70/440V/DUAL RD (M30)	M11 - SSZ140251AC	
NS	0161R00002P CONDUIT (M19, M20, M21, M22, M23, M24)	M12 - SSZ140251AD	
NS	0161R00003P CONDUIT (M1, M2, M3, M4, M5, M6, M7, M8, M9, M10, M11, M12, M13, M14, M15, M16, M17, M18)	M13 - SSZ140301AJ	
NS	0161R00004P CONDUIT (M25, M26)	M14 - SSZ140301AK	
NS	0161R00005P CONDUIT (M27, M28, M29, M30)	M15 - SSZ140311AA	
NS	0161R00009P NAMEPLATE	M16 - SSZ140311AB	
		M17 - SSZ140311AC	
		M18 - SSZ140311AD	
		M19 - SSZ140361BC	
		M20 - SSZ140361BD	
		M21 - SSZ140371AA	
		M22 - SSZ140371AB	
		M23 - SSZ140371AC	
		M24 - SSZ140371AD	
		M25 - SSZ140381AB	
		M26 - SSZ140381AC	
		M27 - SSZ140421AH	
		M28 - SSZ140421AJ	
		M29 - SSZ140481AH	
		M30 - SSZ140601AH	

Tubing Assembly/Condenser

IMAGE 1

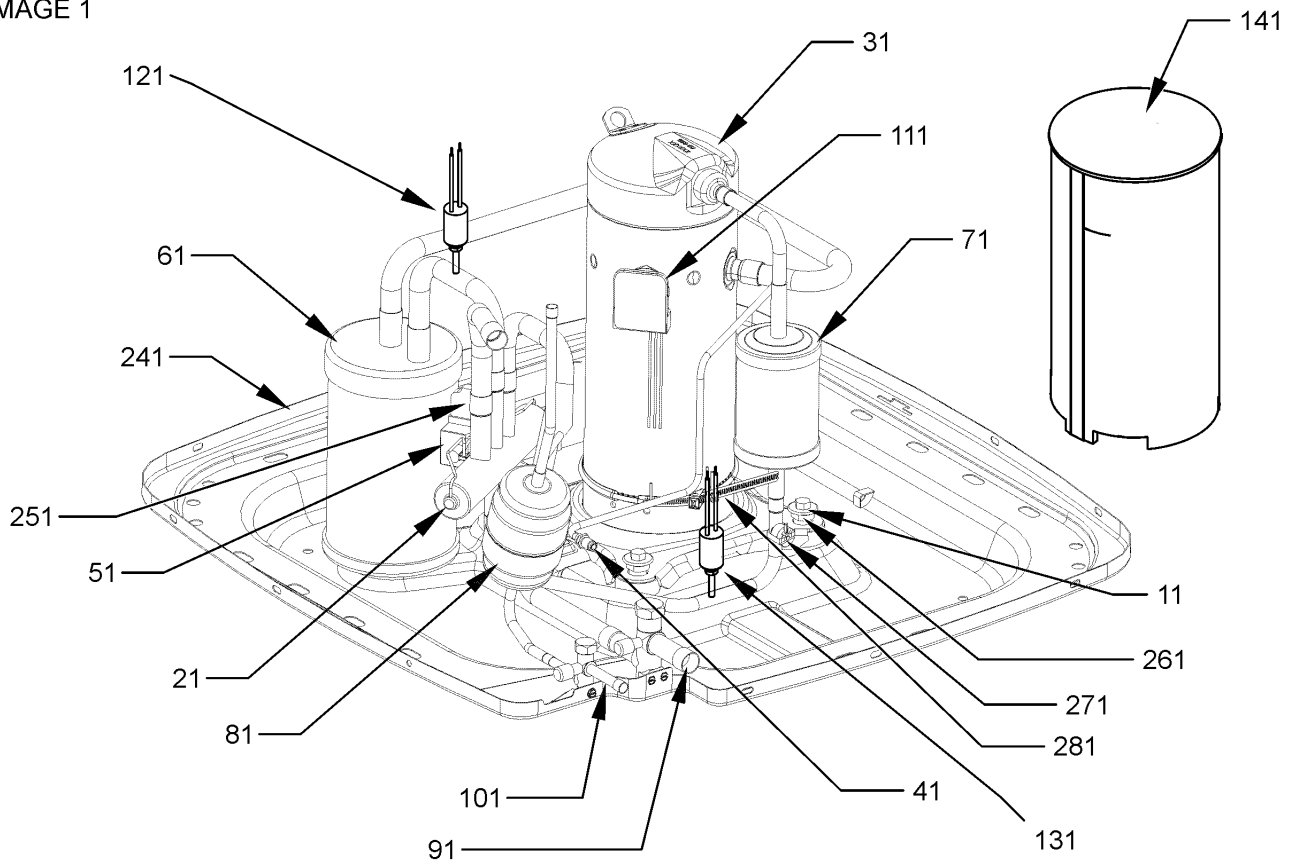
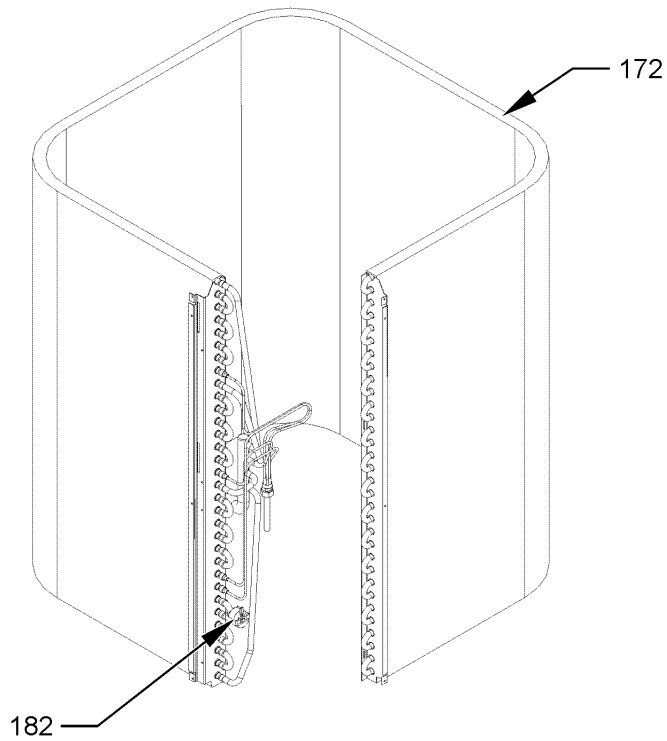


IMAGE 2



Tubing Assembly/Condenser

Ref. Part No: No:	Description:	Ref. Part No: No:	Description:																														
Image 1:		Image 1:																															
11	M0221641 TF SHOULDER SCREW (QTY 4)	NS	B1789841 FLOW CHECK PISTON KIT (M3, M4, M5, M6)																														
21	0151M00018 REVERSING VALVE (M1, M3, M4, M5, M7, M9, M10, M11)	NS	B1789847 FLOW CHECK PISTON KIT (M9, M10, M11, M12)																														
21	0151M00019 REVERSING VALVE (M13, M15, M16, M17, M19, M21, M22, M23)	NS	B1789853 FLOW CHECK PISTON KIT .053 (M15, M16, M17, M18)																														
21	0151M00021 REVERSING VALVE (M25, M27, M29, M30)	NS	B1789859 FLOW CHECK PISTON KIT .059 (M21, M22, M23, M24)																														
21	0151R00068 REVERSING VALVE (M2, M6, M8, M12)	Image 2:																															
21	0151R00069 REVERSING VALVE (M14, M18, M20, M24)	172	0201R00351 COIL TUBING ASSY (M19, M20)																														
21	0151R00071 REVERSING VALVE (M26, M28)	172	0201R00537 COIL TUBING ASSY (M25, M26)																														
31	ZP16K5EPFV130 COMPRESSOR 15500, 208/230/60/1 (M1, M2, M3, M4, M5, M6)	172	0201R00060 TUBING ASSY, COND COIL (M29)																														
31	ZP21K5EPFV130 COMPRESSOR 21300, 208/230/60/1 (M7, M8, M9, M10, M11, M12)	172	0201R00061 TUBING ASSY, COND COIL (M7, M8)																														
31	ZP25K5EPFV130 COMPRESSOR 25200, 208/230/60/1 (M13, M14, M15, M16, M17, M18)	172	0201R00062 TUBING ASSY, COND COIL (M13, M14)																														
31	ZP29K5EPFV130 COMPRESSOR 29000, 208/230/60/1 (M19, M20, M21, M22, M23, M24, M25, M26)	172	0201R00071 TUBING ASSY, COND COIL (M1, M2)																														
31	ZP34K5EPFV130 COMPRESSOR 34500, 208/230/60/1 (M27, M28)	172	0201R00072 TUBING ASSY, COND COIL (M27, M28)																														
31	ZP39K5EPFV130 COMPRESSOR 39000, 208/230/60/1 (M29)	172	0201R00073 TUBING ASSY, COND COIL (M30)																														
31	ZP51K5EPFV130 COMPRESSOR 51000, 208/230/60/1 (M30)	172	0201R00421 TUBING ASSY, COND COIL (M3, M4, M5, M6)																														
41	B1787000 VALVE CORE	172	0201R00422 TUBING ASSY, COND COIL (M9, M10, M11, M12)																														
51	B1225022 SOLENOID COIL	172	0201R00423 TUBING ASSY, COND COIL (M15, M16, M17, M18)																														
61	0151L00008 ACCUMULATOR (M19, M20, M21, M22, M23, M24)	172	0201R00424 TUBING ASSY, COND COIL (M21, M22, M23, M24)																														
61	0151L00009 ACCUMULATOR (M25, M26)	182	0130M00105 CONTROL, DEFROST																														
61	0151R00004P ACCUMULATOR .750 (M1, M2, M3, M4, M5, M6, M7, M8, M9, M10, M11, M12, M13, M14, M15, M16, M17, M18)	Expanded Model Nomenclature																															
61	B1226207 ACCUMULATOR .875 (M27, M28, M29, M30)	<table border="1"> <tr><td>M1 - SSZ140181AJ</td></tr> <tr><td>M2 - SSZ140181AK</td></tr> <tr><td>M3 - SSZ140191AA</td></tr> <tr><td>M4 - SSZ140191AB</td></tr> <tr><td>M5 - SSZ140191AC</td></tr> <tr><td>M6 - SSZ140191AD</td></tr> <tr><td>M7 - SSZ140241AM</td></tr> <tr><td>M8 - SSZ140241AN</td></tr> <tr><td>M9 - SSZ140251AA</td></tr> <tr><td>M10 - SSZ140251AB</td></tr> <tr><td>M11 - SSZ140251AC</td></tr> <tr><td>M12 - SSZ140251AD</td></tr> <tr><td>M13 - SSZ140301AJ</td></tr> <tr><td>M14 - SSZ140301AK</td></tr> <tr><td>M15 - SSZ140311AA</td></tr> <tr><td>M16 - SSZ140311AB</td></tr> <tr><td>M17 - SSZ140311AC</td></tr> <tr><td>M18 - SSZ140311AD</td></tr> <tr><td>M19 - SSZ140361BC</td></tr> <tr><td>M20 - SSZ140361BD</td></tr> <tr><td>M21 - SSZ140371AA</td></tr> <tr><td>M22 - SSZ140371AB</td></tr> <tr><td>M23 - SSZ140371AC</td></tr> <tr><td>M24 - SSZ140371AD</td></tr> <tr><td>M25 - SSZ140381AB</td></tr> <tr><td>M26 - SSZ140381AC</td></tr> <tr><td>M27 - SSZ140421AH</td></tr> <tr><td>M28 - SSZ140421AJ</td></tr> <tr><td>M29 - SSZ140481AH</td></tr> <tr><td>M30 - SSZ140601AH</td></tr> </table>		M1 - SSZ140181AJ	M2 - SSZ140181AK	M3 - SSZ140191AA	M4 - SSZ140191AB	M5 - SSZ140191AC	M6 - SSZ140191AD	M7 - SSZ140241AM	M8 - SSZ140241AN	M9 - SSZ140251AA	M10 - SSZ140251AB	M11 - SSZ140251AC	M12 - SSZ140251AD	M13 - SSZ140301AJ	M14 - SSZ140301AK	M15 - SSZ140311AA	M16 - SSZ140311AB	M17 - SSZ140311AC	M18 - SSZ140311AD	M19 - SSZ140361BC	M20 - SSZ140361BD	M21 - SSZ140371AA	M22 - SSZ140371AB	M23 - SSZ140371AC	M24 - SSZ140371AD	M25 - SSZ140381AB	M26 - SSZ140381AC	M27 - SSZ140421AH	M28 - SSZ140421AJ	M29 - SSZ140481AH	M30 - SSZ140601AH
M1 - SSZ140181AJ																																	
M2 - SSZ140181AK																																	
M3 - SSZ140191AA																																	
M4 - SSZ140191AB																																	
M5 - SSZ140191AC																																	
M6 - SSZ140191AD																																	
M7 - SSZ140241AM																																	
M8 - SSZ140241AN																																	
M9 - SSZ140251AA																																	
M10 - SSZ140251AB																																	
M11 - SSZ140251AC																																	
M12 - SSZ140251AD																																	
M13 - SSZ140301AJ																																	
M14 - SSZ140301AK																																	
M15 - SSZ140311AA																																	
M16 - SSZ140311AB																																	
M17 - SSZ140311AC																																	
M18 - SSZ140311AD																																	
M19 - SSZ140361BC																																	
M20 - SSZ140361BD																																	
M21 - SSZ140371AA																																	
M22 - SSZ140371AB																																	
M23 - SSZ140371AC																																	
M24 - SSZ140371AD																																	
M25 - SSZ140381AB																																	
M26 - SSZ140381AC																																	
M27 - SSZ140421AH																																	
M28 - SSZ140421AJ																																	
M29 - SSZ140481AH																																	
M30 - SSZ140601AH																																	
71	0162R00007 MUFFLER 1/2 X 1/2																																
81	20485201 BI-FLOW FILTER DRIER																																
91	0151R00032 VALVE, BASE 3/4" OPEN LEFT (M1, M2, M3, M4, M5, M6, M7, M8, M9, M10, M11, M12, M13, M14, M15, M16, M17, M18, M19, M20, M21, M22, M23, M24)																																
91	0151R00033 VALVE, BASE 3/4" OPEN LEFT (M25, M26, M27, M28, M29, M30)																																
101	B12825171 3/8" SERVICE VALVE																																
111	0159R00001P COMPRESSOR SCROLL HARNESS (M1, M2, M3, M4, M5, M6, M7, M8, M9, M10, M11, M12, M13, M14, M15, M16, M17, M18)																																
111	0159R00002P COMPRESSOR SCROLL HARNESS (M19, M20, M21, M22, M23, M24, M25, M26, M27, M28, M29, M30)																																
121	0130M00088 SW-CUTOUT LOW PRESS																																
131	0130M00089 SW-CUTOUT HI PRESS																																
141	0160M00004 COMPRESSOR SOUND BLANKET																																
241	0121R00006PDG BASE PAN 29" (M1, M2, M3, M4, M5, M6, M7, M8, M9, M10, M11, M12, M13, M14, M15, M16, M17, M18, M19, M20, M21, M22, M23, M24)																																
241	0121R00007PDG BASE PAN 35" (M25, M26, M27, M28, M29, M30)																																
251	0130M00083 REVERSING VALVE HARNESS																																
261	B1339533 COMPRESSOR GROMMET (QTY 4)																																
271	0130M00106 DISC THERMOSTAT CRNKCS HTR SW																																
281	0163R00006 HEATER, CRANKCASE 230V, 40W (M1, M2, M3, M4, M5, M6, M7, M8, M9, M10, M11, M12, M13, M14, M15, M16, M17, M18, M19, M20, M21, M22, M23, M24, M25, M26)																																
281	0163R00007 HEATER, CRANKCASE 230V, 40W (M27, M28, M29, M30)																																
NS	0163M00087 ACCESS FITTING (M19, M20, M21, M22, M23, M24, M25, M26)																																
NS	B1373310 ACCESS FITTING (M1, M2, M3, M4, M5, M6, M7, M8, M9, M10, M11, M12, M13, M14, M15, M16, M17, M18, M27, M28, M29, M30)																																
NS	0163M00175 CAP WITH O-RING																																
NS	0151R00005 COMPENSATOR 16 OZ (M25, M26)																																

Top Assembly/ Louver Panels

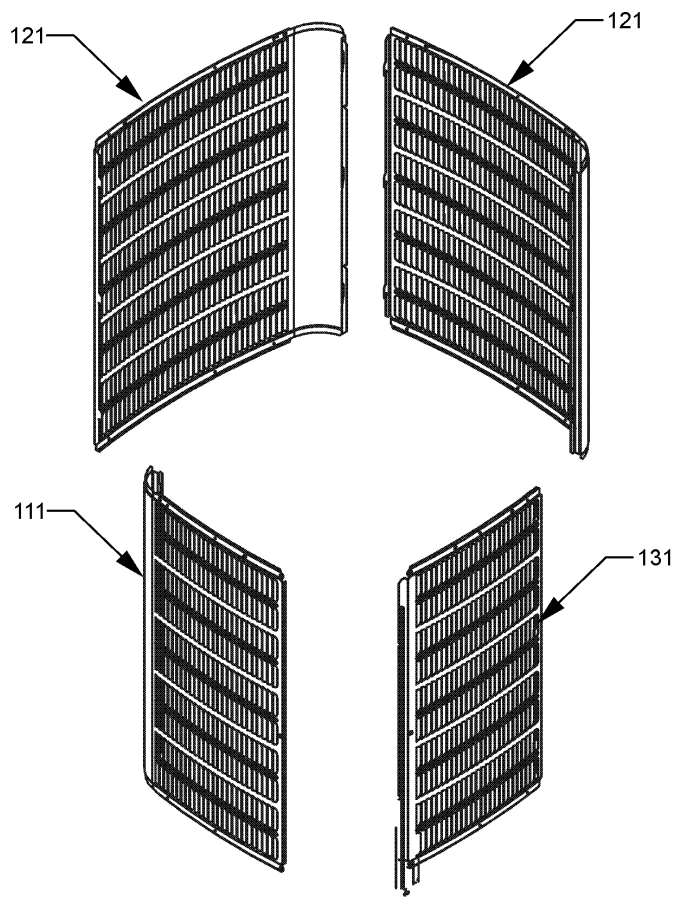
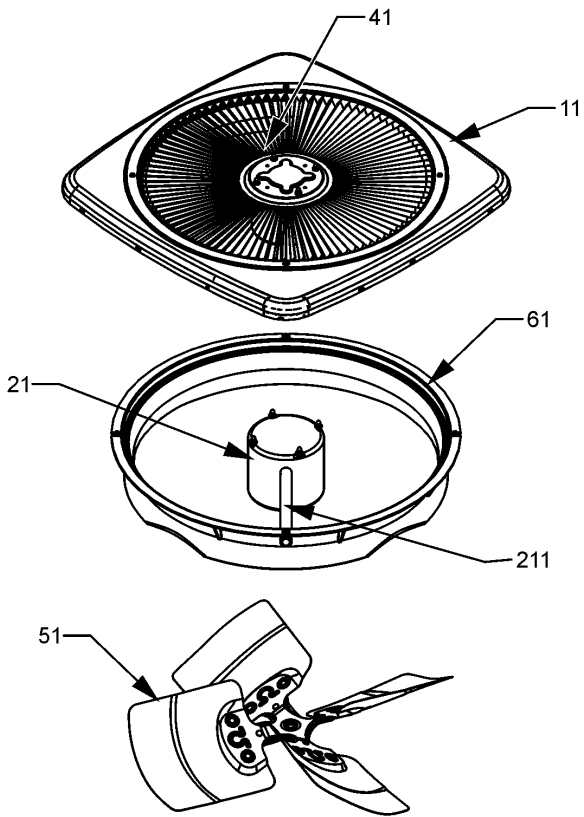
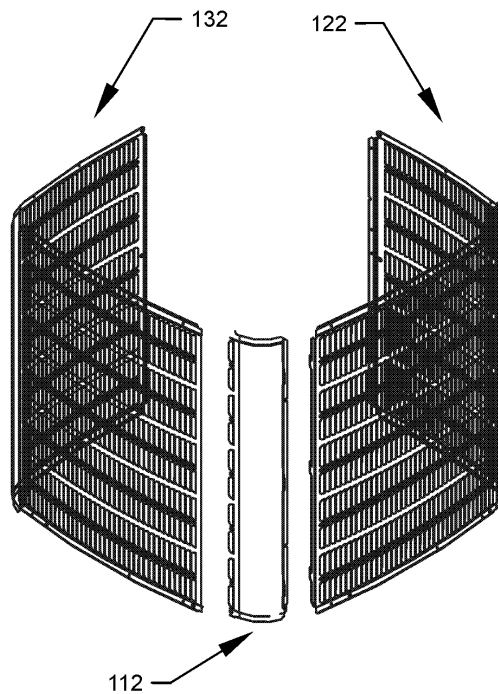


Image 2



Top Assembly/ Louver Panels

Ref. Part No: No:	Description:	Ref. Part No: No:	Description:
Image 1:		Expanded Model Nomenclature	
11	0121R00010PDG TOP PANEL 29" (M1, M2, M3, M4, M5, M6, M7, M8, M9, M10, M11, M12, M13, M14, M15, M16, M17, M18, M19, M20, M21, M22, M23, M24)	M1 - SSZ140181AJ	
11	0121R00269PDG TOP PANEL, 35" (M25, M26, M27, M28, M29, M30)	M2 - SSZ140181AK	
21	0131M00019P COND MOTOR 1/12 HP, 1 SP, 8 PL (M1, M2, M3, M4, M5, M6)	M3 - SSZ140191AA	
21	0131M00061 COND MOTOR 1/4 HP, 1 SP, 8 PL (M19, M20, M21, M22, M23, M24, M27, M28, M29, M30)	M4 - SSZ140191AB	
21	0131M00012P COND MOTOR 1/6 HP, 1 SP, 8 PL (M13, M14, M15, M16, M17, M18, M25, M26)	M5 - SSZ140191AC	
21	0131M00060 COND MOTOR 1/6 HP, 1 SP, 8 PL (M7, M8, M9, M10, M11, M12)	M6 - SSZ140191AD	
41	0163M00006P ACORN NUT 5/16 HEX BLACK (QTY 4)	M7 - SSZ140241AM	
51	10625737 FAN BLADE 22" ALUM CCW (M1, M2, M3, M4, M5, M6)	M8 - SSZ140241AN	
51	0150M00008 FAN BLADE 22" TNT2203-25 (M7, M8, M9, M10, M11, M12)	M9 - SSZ140251AA	
51	10625738 FAN BLADE 26" ALUM CCW (M25, M26, M27, M28, M29, M30)	M10 - SSZ140251AB	
51	B1086764 FAN BLADE TYPE 2 (M13, M14, M15, M16, M17, M18)	M11 - SSZ140251AC	
51	B1086765 FAN BLADE TYPE 3 (M19, M20, M21, M22, M23, M24)	M12 - SSZ140251AD	
61	0161L00000 VENTURI RING 22" (M19, M20, M21, M22, M23, M24)	M13 - SSZ140301AJ	
61	0161R00007P VENTURI RING 35" (M25, M26)	M14 - SSZ140301AK	
111	0121R00025PDGB LOUVERED SIDE PANEL [LT OF CNTL PNL] (M3)	M15 - SSZ140311AA	
111	0121R00027PDGB LOUVERED SIDE PANEL [LT OF CNTL PNL] (M9, M15, M21)	M16 - SSZ140311AB	
111	0121R00042PDGB LOUVERED SIDE PANEL [LT OF CNTL PNL] (M29)	M17 - SSZ140311AC	
111	0121R00043PDGB LOUVERED SIDE PANEL [LT OF CNTL PNL] (M25, M26, M27, M28, M30)	M18 - SSZ140311AD	
121	0121R00031PDGB LOUVERED SIDE PANEL (M3)	M19 - SSZ140361BC	
121	0121R00033PDGB LOUVERED SIDE PANEL (M9, M15, M21)	M20 - SSZ140361BD	
121	0121R00046PDGB LOUVERED SIDE PANEL (M29)	M21 - SSZ140371AA	
121	0121R00047PDGB LOUVERED SIDE PANEL (M25, M26, M27, M28, M30)	M22 - SSZ140371AB	
131	0121R00037PDG LOUVERED SIDE PANEL [RT OF CNTL PNL] (M3)	M23 - SSZ140371AC	
131	0121R00039PDG LOUVERED SIDE PANEL [RT OF CNTL PNL] (M9, M15, M21)	M24 - SSZ140371AD	
131	0121R00050PDG LOUVERED SIDE PANEL [RT OF CNTL PNL] (M29)	M25 - SSZ140381AB	
131	0121R00051PDG LOUVERED SIDE PANEL [RT OF CNTL PNL] (M25, M26, M27, M28, M30)	M26 - SSZ140381AC	
211	0161R00002P CONDUIT (M19, M20, M21, M22, M23, M24)	M27 - SSZ140421AH	
211	0161R00003P CONDUIT (M1, M2, M3, M4, M5, M6, M7, M8, M9, M10, M11, M12, M13, M14, M15, M16, M17, M18)	M28 - SSZ140421AJ	
211	0161R00004P CONDUIT (M25, M26)	M29 - SSZ140481AH	
211	0161R00005P CONDUIT (M27, M28, M29, M30)	M30 - SSZ140601AH	
Image 2:			
112	0121R00353PDG LOUVER POST 34.49 (M7, M8, M10, M11, M12, M13, M14, M16, M17, M18, M19, M20, M22, M23, M24)		
112	0121R00351PDG Louver Post, PDG 30.49 (M1, M2, M4, M5, M6)		
122	0121R00343PDGRS Louver Panel, PDG 29" _30.49 (M1, M2, M4, M5, M6)		
122	0121R00345PDGRS Louver Panel, PDG 29" _34.49 (M7, M8, M10, M11, M12, M13, M14, M16, M17, M18, M19, M20, M22, M23, M24)		
132	0121R00343PDGLS Louver Panel, PDG 29" _30.49 (M1, M2, M4, M5, M6)		
132	0121R00345PDGLS Louver Panel, PDG 29" _34.49 (M7, M8, M10, M11, M12, M13, M14, M16, M17, M18, M19, M20, M22, M23, M24)		