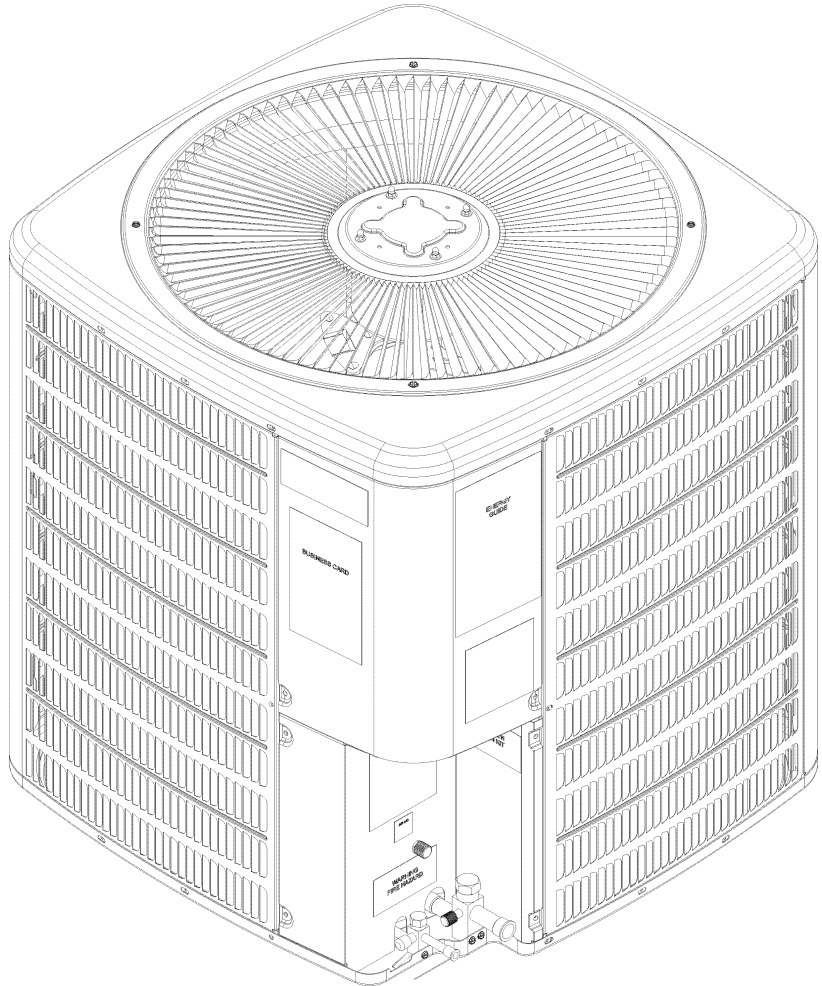


REPAIR PARTS

SSZ14 Remote Heat Pump

SSZ140181BA
SSZ140241BA
SSZ140241BB
SSZ140251AE
SSZ140301BA



This manual is to be used by qualified technicians only.

This manual replaces RP-4011.

© 2015 - 2016 Goodman Manufacturing Company, L.P. ♦ 5151 San Felipe St., Suite 500 ♦ Houston, TX 77056

Important Information

Index

Functional Parts List	3
Illustration and Parts	4 - 9

Views shown are for parts illustrations only, not servicing procedures

Text Codes:

AR - As Required

NA - Not Available

NS - Not Shown

00000000 - See Note

QTY - Quantity Example (QTY 3) (If Quantity not shown, Quantity = 1)

M - Model Example (M1) (If M Code not shown, then part is used on all Models)

Expanded Model Nomenclature:

Example M1 - Model#1 M2 - Model#2 M3 - Model#3

Goodman Manufacturing Company, L.P. is not responsible for personal injury or property damage resulting from improper service. Review all service information before beginning repairs.

Warranty service must be performed by an authorized technician, using authorized factory parts. If service is required after the warranty expires, Goodman Manufacturing Company, L.P. also recommends contacting an authorized technician and using authorized factory parts.

Goodman Manufacturing Company, L.P. reserves the right to discontinue, or change at any time, specifications or designs without notice or without incurring obligations.

For assistance within the U.S.A. contact:
Homeowner Support
Goodman Manufacturing Company, L.P.
19001 Kermier Road
Waller, Texas 77484
877-254-4729-Telephone
713-863-2382-Facsimile

For assistance outside the U.S.A. contact:
International Division
Goodman Manufacturing Company, L.P.
19001 Kermier Road
Waller, Texas 77484
713-861-2500-Telephone
713-863-2382-Facsimile

Functional Parts

Part

No: Description:

0151R00079	BASE VALVE 3/4"
0151R00078	BASE VALVE 3/8"
CAP050300440CS	CAP,5/30MFD/440V/DUAL RD (M1)
CAP050400440CT	CAPACITOR 5/40/440V/DUAL RD (M2, M3, M4, M5)
ZP16K5EPFV130	COMPRESSOR 15500, 208/230/60/1 (M1)
ZP21K5EPFV130	COMPRESSOR 21300, 208/230/60/1 (M2, M3, M4)
ZP25K5EPFV130	COMPRESSOR 25200, 208/230/60/1 (M5)
0131M00019P	COND MOTOR 1/12 HP, 1 SP, 8 PL (M1)
0131M00060	COND MOTOR 1/6 HP, 1 SP, 8 PL (M2)
0131M00012P	COND MOTOR 1/6 HP, 1 SP, 8 PL (M5)
0131M00753	COND MOTOR, 1/6HP, 1SP, 8PL, AL (M3, M4)
CONT1P025024V	CONTACTOR 25 AMP, 1P, 24V
0130M00105	CONTROL, DEFROST
0130M00089	CUT-OUT SWITCH, HIGH PRESSURE (M1, M2, M3, M5)
0130M00088	CUT-OUT SWITCH, LOW PRESSURE
PCBDM133	DEFROST CONTROL BOARD
0130M00106	DISC THERMOSTAT CRNKCS HTR SW
10625737	FAN BLADE 22" ALUM CCW (M1)
0150M00008	FAN BLADE 22" TNT2203-25 (M2, M3, M4)
B1086764	FAN BLADE TYPE 2 (M5)
0163R00006	HEATER, CRANKCASE 230V, 40W
0162R00007	MUFFLER 1/2 X 1/2
0151R00069	REVERSING VALVE (M5)
0151R00068	REVERSING VALVE (M1, M2, M3, M4)
B1225022	SOLENOID COIL

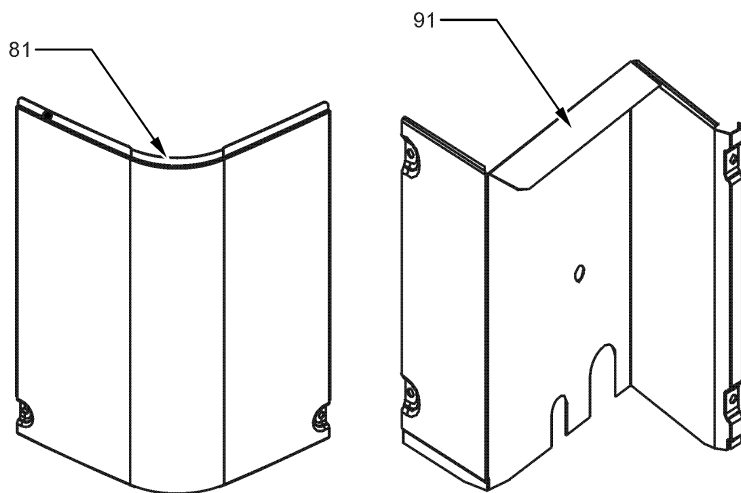
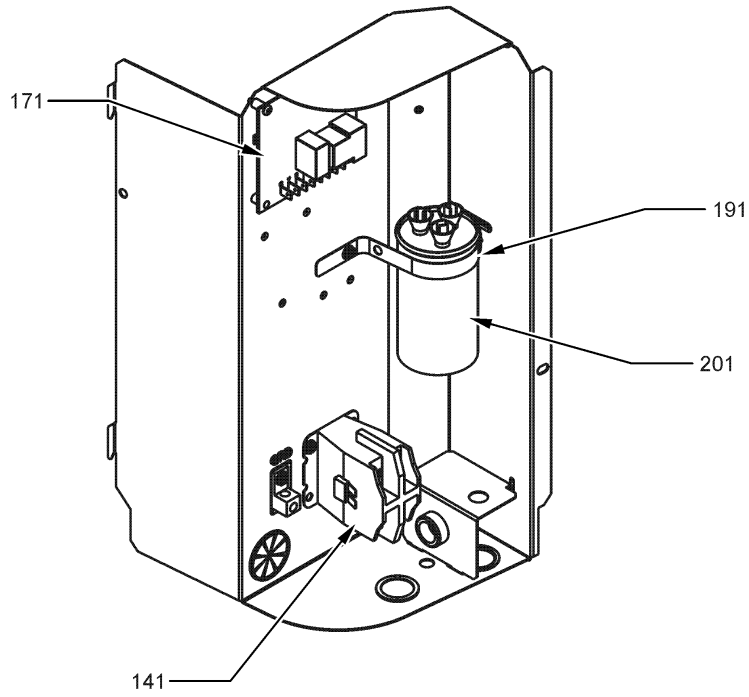
SPECIAL PARTS

0161R00009P NAMEPLATE

Expanded Model Nomenclature

M1 - SSZ140181BA
M2 - SSZ140241BA
M3 - SSZ140241BB
M4 - SSZ140251AE
M5 - SSZ140301BA

Control Panel



Control Panel

Ref. Part No:	Description:	Ref. Part No:	Description:
---------------	--------------	---------------	--------------

Image 1:

81	0121R00053PDG	CONTROL COVER
91	0121R00318PDG	PANEL, LOWER ACCESS (M2, M3, M4, M5)
91	0121R00321PDG	PANEL, LOWER ACCESS (M1)
141	CONT1P025024V	CONTACTOR 25 AMP, 1P, 24V
171	PCBDM133	DEFROST CONTROL BOARD
191	4400065	CAPACITOR STRAP
201	CAP050300440CS	CAP.5/30MFD/440V/DUAL RD (M1)
201	CAP050400440CT	CAPACITOR 5/40/440V/DUAL RD (M2, M3, M4, M5)
NS	0161R00009P	NAMEPLATE

Expanded Model Nomenclature

M1 - SSZ140181BA
M2 - SSZ140241BA
M3 - SSZ140241BB
M4 - SSZ140251AE
M5 - SSZ140301BA

Tubing Assembly/Condenser

IMAGE 1

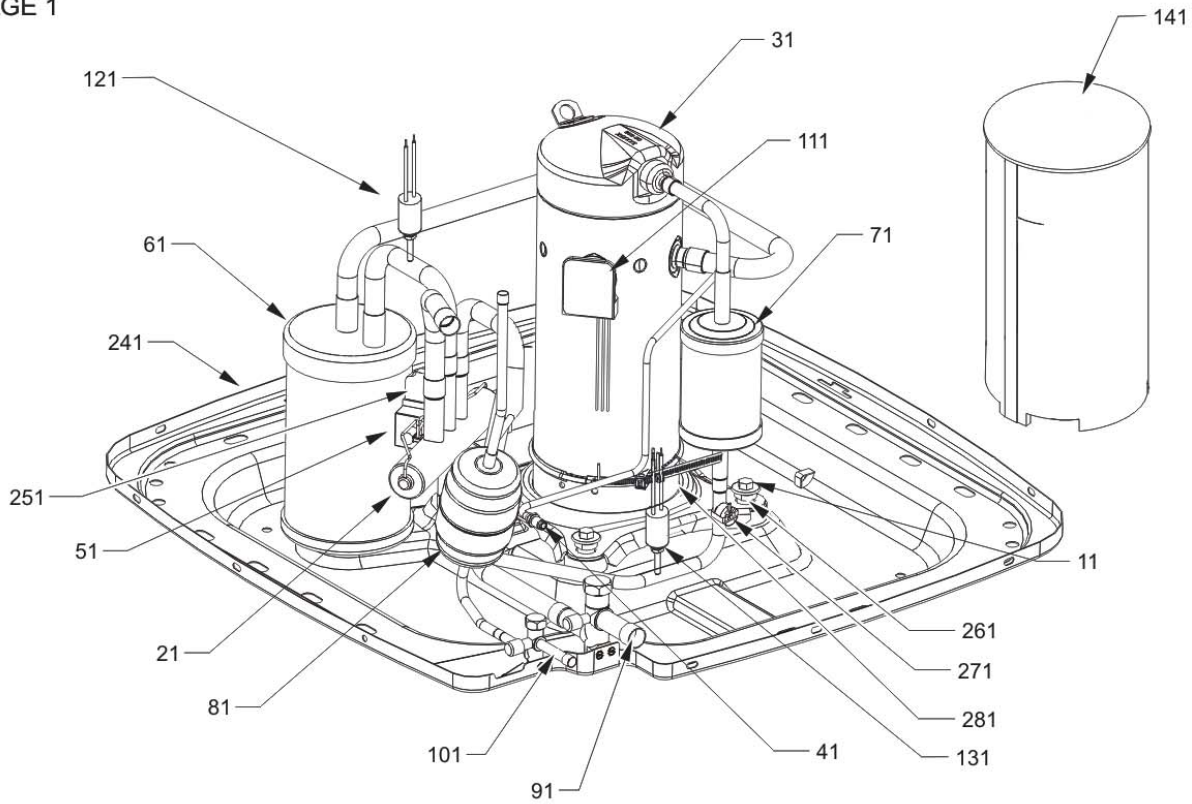
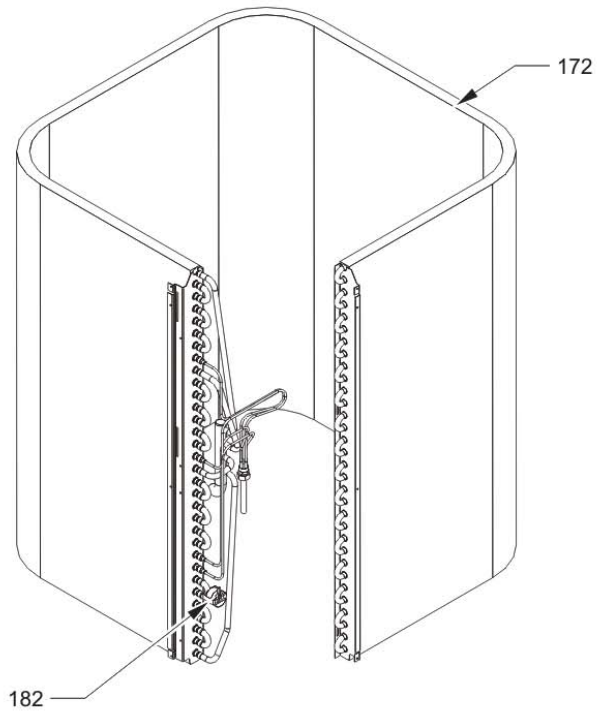


IMAGE 2



Tubing Assembly/Condenser

Ref. Part No: No:	Description:	Ref. Part No: No:	Description:
-------------------	--------------	-------------------	--------------

Image 1:

11	M0221641	TF SHOULDER SCREW (QTY 4)
21	0151R00068	REVERSING VALVE (M1, M2, M3, M4)
21	0151R00069	REVERSING VALVE (M5)
31	ZP16K5EPFV130	COMPRESSOR 15500, 208/230/60/1 (M1)
31	ZP21K5EPFV130	COMPRESSOR 21300, 208/230/60/1 (M2, M3, M4)
31	ZP25K5EPFV130	COMPRESSOR 25200, 208/230/60/1 (M5)
41	B1787000	VALVE CORE
51	B1225022	SOLENOID COIL
61	0151R00004P	ACCUMULATOR .750
71	0162R00007	MUFFLER 1/2 X 1/2
81	20485201	BI-FLOW FILTER DRIER (M1, M2, M3, M5)
91	0151R00079	BASE VALVE 3/4"
101	0151R00078	BASE VALVE 3/8"
111	0159R00001P	COMPRESSOR SCROLL HARNESS
121	0130M00088	CUT-OUT SWITCH, LOW PRESSURE
131	0130M00089	CUT-OUT SWITCH, HIGH PRESSURE (M1, M2, M3, M5)
141	0160M00004	COMPRESSOR SOUND BLANKET
241	0121R00006PDG	BASE PAN 29"
251	0130M00083	REVERSING VALVE HARNESS
261	B1339533	COMPRESSOR GROMMET (QTY 4)
271	0130M00106	DISC THERMOSTAT CRNKCS HTR SW
281	0163R00006	HEATER, CRANKCASE 230V, 40W
NS	B1373310	ACCESS FITTING
NS	0163M00175	CAP WITH O-RING

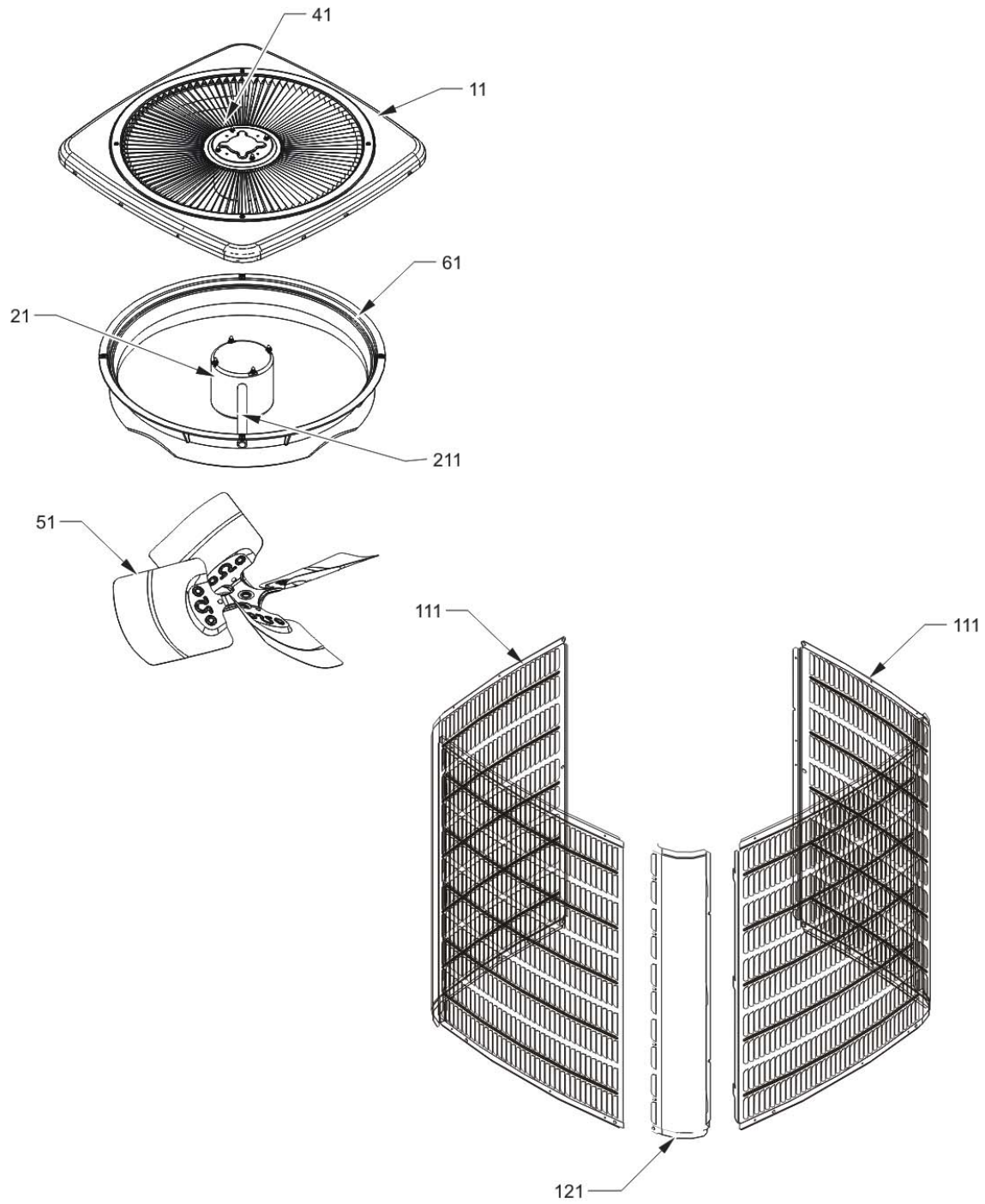
Image 2:

172	0201R00422	COIL TUBING ASSY (M4)
172	0201R00061	TUBING ASSY, COND COIL (M2, M3)
172	0201R00062	TUBING ASSY, COND COIL (M5)
172	0201R00071	TUBING ASSY, COND COIL (M1)
182	0130M00105	CONTROL, DEFROST
NS	B1789847	FLOW CHECK PISTON KIT (M4)

Expanded Model Nomenclature

M1 - SSZ140181BA
M2 - SSZ140241BA
M3 - SSZ140241BB
M4 - SSZ140251AE
M5 - SSZ140301BA

Top Assembly/ Louver Panels



Top Assembly/ Louver Panels

Ref. Part No: No:	Description:	Ref. Part No: No:	Description:
-------------------	--------------	-------------------	--------------

Image 1:

11	0121R00010PDG	TOP PANEL 29"
21	0131M00019P	COND MOTOR 1/12 HP, 1 SP, 8 PL (M1)
21	0131M00012P	COND MOTOR 1/6 HP, 1 SP, 8 PL (M5)
21	0131M00060	COND MOTOR 1/6 HP, 1 SP, 8 PL (M2)
21	0131M00753	COND MOTOR, 1/6HP, 1SP, 8PL, AL (M3, M4)
41	0163M00006P	ACORN NUT 5/16 HEX BLACK (QTY 4)
51	10625737	FAN BLADE 22" ALUM CCW (M1)
51	0150M00008	FAN BLADE 22" TNT2203-25 (M2, M3, M4)
51	B1086764	FAN BLADE TYPE 2 (M5)
61	0161L00000	RING-VENTURI 22 (M3, M4)
111	0121R00343PDG	LOUVER PANEL 29"_30.49 (M1)
111	0121R00345PDG	LOUVER PANEL 29"_34.49 (M2, M3, M4, M5)
121	0121R00351PDG	LOUVER POST 30.49 (M1)
121	0121R00353PDG	LOUVER POST 34.49 (M2, M3, M4, M5)
211	0161R00003P	CONDUIT

Expanded Model Nomenclature

M1 - SSZ140181BA
M2 - SSZ140241BA
M3 - SSZ140241BB
M4 - SSZ140251AE
M5 - SSZ140301BA