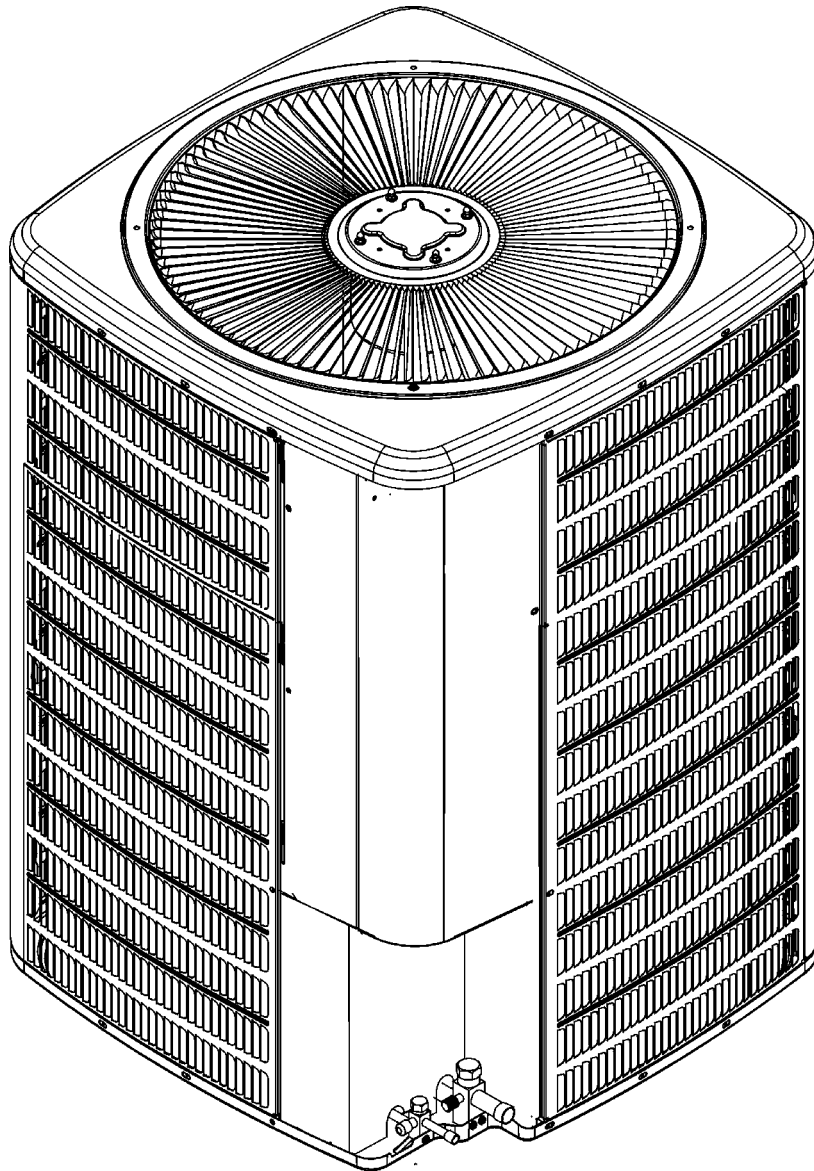


REPAIR PARTS

SSX16 SEER Remote Condensing Unit

SSX160241AA
SSX160241AB
SSX160241BA
SSX160241BB
SSX160241BC
SSX160301AA
SSX160301AB
SSX160361AA
SSX160361AB
SSX160361BA
SSX160361BB
SSX160361BC
SSX160421AA
SSX160421AB
SSX160481AA
SSX160481AB
SSX160481BA
SSX160591AA
SSX160601AA
SSX160601AB
SSX160601BA
SSX160601BB



This manual is to be used by qualified technicians only.

This manual replaces RP-361E.

© 2006-2007, 2009-2010,2013 Goodman Manufacturing Company, L.P. ♦ 5151 San Felipe, Suite 500 ♦ Houston, TX 77056

Important Information

Index

Functional Parts List	3
Illustration and Parts	4 - 9

Views shown are for parts illustrations only, not servicing procedures.

Rev F: Addition of models with 2 piece louver panels.

Text Codes:

AR - As Required

NA - Not Available

NS - Not Shown

00000000 - See Note

QTY - Quantity Example (QTY 3) (If Quantity not shown, Quantity = 1)

M - Model Example (M1) (If M Code not shown, then part is used on all Models)

Expanded Model Nomenclature:

Example M1 - Model#1 M2 - Model#2 M3 - Model#3

Goodman Manufacturing Company, L.P. is not responsible for personal injury or property damage resulting from improper service. Review all service information before beginning repairs.

Warranty service must be performed by an authorized technician, using authorized factory parts. If service is required after the warranty expires, Goodman Manufacturing Company, L.P. also recommends contacting an authorized technician and using authorized factory parts.

Goodman Manufacturing Company, L.P. reserves the right to discontinue, or change at any time, specifications or designs without notice or without incurring obligations.

For assistance within the U.S.A. contact:
Consumer Affairs Department
Goodman Manufacturing Company, L.P.
7401 Security Way
Houston, Texas 77040
877-254-4729-Telephone
713-863-2382-Facsimile

For assistance outside the U.S.A. contact:
International Division
Goodman Manufacturing Company, L.P.
7401 Security Way
Houston, Texas 77040
713-861-2500-Telephone
713-863-2382-Facsimile

Functional Parts

Part

No: Description:

Expanded Model Nomenclature

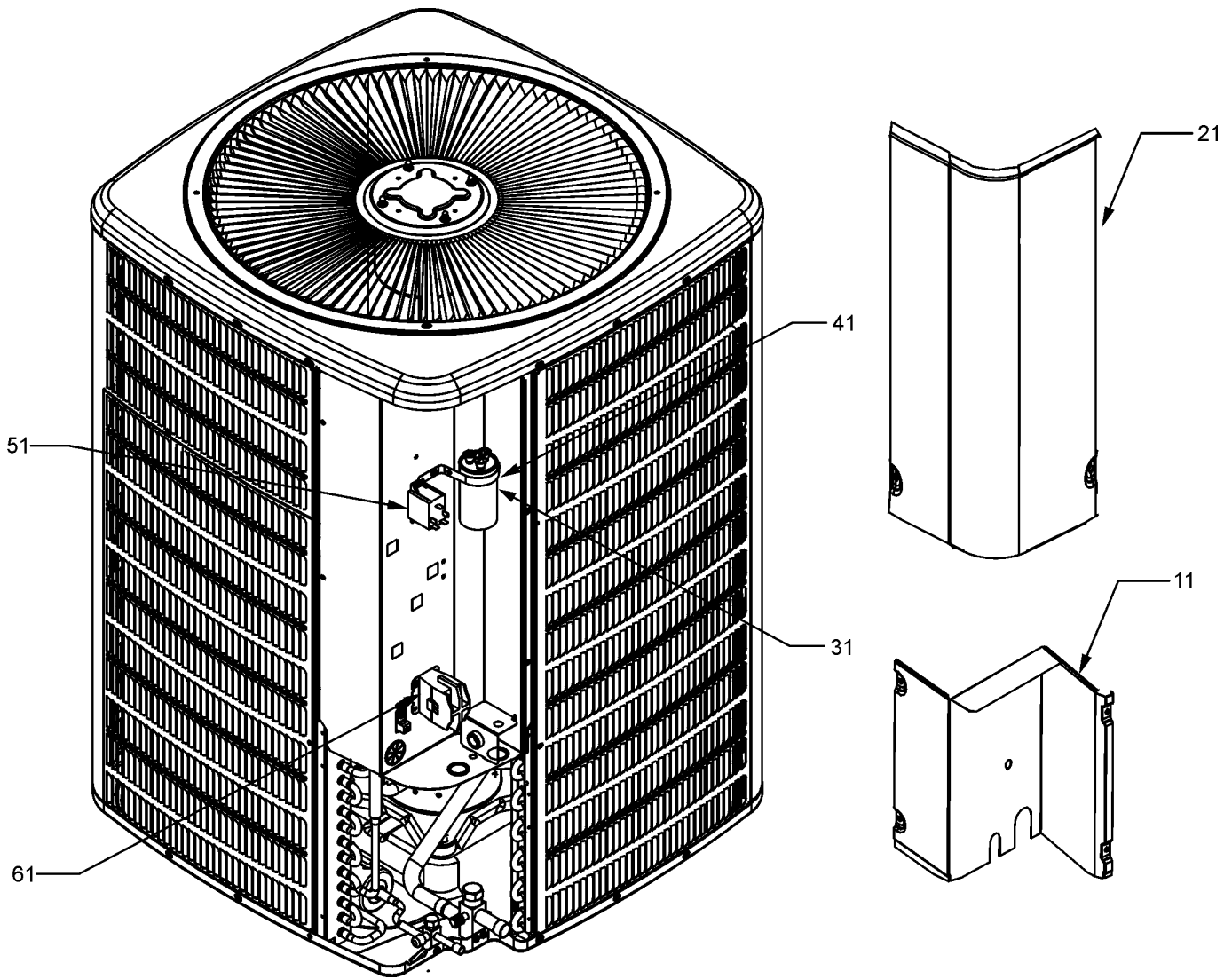
B12825171	3/8 BASE VALVE (OPEN)
CAP050700440RT	CAP, 5/70 MFD/440V/DUAL RD (M18)
CAP050350440RS	CAPACITOR 5/35/440V (M1, M2, M3, M4, M5)
CAP050400440RT	CAPACITOR 5/40/440V (M6, M7)
CAP050450440RT	CAPACITOR 5/45/440V (M8, M9, M10, M11, M12, M13, M14, M15, M16, M17)
CAP050800440RT	CAPACITOR 5/80/440V (M19, M20, M21, M22)
ZP20K5EPFV130	COMP,20000,208/230/60/1 (M1, M2, M3, M4, M5)
ZP38K5EPFV130	COMP,37500,208/230/60/1 (M15, M16, M17)
ZPS49K4EPFV230	COMP,49200,208/230/60/1/2STG (M21, M22)
ZP49K5EPFV130	COMP,49400,208/230/60/1 (M18)
ZP24K5EPFV130	COMPRESSOR 24000, 208/230/60/1 (M6, M7)
ZP29K5EPFV130	COMPRESSOR 29000, 208/230/60/1 (M8, M9, M10, M11, M12)
ZP31K5EPFV130	COMPRESSOR 31100, 208/230/60/1 (M13, M14)
ZPS51K4EPFV230	COMPRESSOR 52000, 208/230/60/1/2STG (M19, M20)
0131M00019P	COND MOTOR 1/12 HP, 1 SP, 8 PL (M1, M2)
0131M00012P	COND MOTOR 1/6 HP, 1 SP, 8 PL (M8, M9, M15, M16)
0131M00016P	COND MOTOR 1/6 HP, 1 SP, 8 PL (M3, M4, M5, M6, M7, M10, M11, M12)
0131M00061	COND MOTOR, 1/4HP, 1SP, 8PL (M13, M14, M17, M18)
0131M00038	COND MOTOR, 1/6HP,2 SP, 8 PL (M19, M20, M21, M22)
CONT1P025024V	CONTACTOR 25 AMP, 1P, 24V (M1, M2, M3, M4, M5, M6, M7, M8, M9, M10, M11, M12)
CONT1P030024V	CONTACTOR 30 AMP, 1P, 24V (M13, M14, M15, M16, M17)
CONT2P040024V	CONTACTOR 40 AMP, 2P, 24V (M18, M19, M20, M21, M22)
10625737	FAN BLADE 22" ALUM CCW (M1, M2)
10625733	FAN BLADE 22" ALUM CCW (M8, M9)
0150M00008	FAN BLADE 22" TNT2203-25 (M10, M11, M12)
10625738	FAN BLADE 26" ALUM CCW (M15, M16, M17, M18, M19, M20, M21, M22)
B1086765	FAN BLADE TYPE 3 (M13, M14)
0150M00022	FAN BLADE, 22" (M3, M4, M5, M6, M7)
0130M00082	LOW PRESSURE SWITCH (M4, M5, M6, M7, M11, M12, M13, M14, M17, M18, M22)
0130R00000	LOW PRESSURE SWITCH (M1, M2, M3, M8, M9, M10, M15, M16, M19, M20, M21)
0130M00089	SW-CUTOUT HI PRESS
0151R00032	VALVE, BASE 3/4" OPEN LEFT (M1, M2, M3, M4, M5, M6, M7, M8, M9, M10, M11, M12)
0151R00033	VALVE, BASE 7/8" OPEN LEFT (M13, M14, M15, M16, M17, M18, M19, M20, M21, M22)

M1 - SSX160241AA
M2 - SSX160241AB
M3 - SSX160241BA
M4 - SSX160241BB
M5 - SSX160241BC
M6 - SSX160301AA
M7 - SSX160301AB
M8 - SSX160361AA
M9 - SSX160361AB
M10 - SSX160361BA
M11 - SSX160361BB
M12 - SSX160361BC
M13 - SSX160421AA
M14 - SSX160421AB
M15 - SSX160481AA
M16 - SSX160481AB
M17 - SSX160481BA
M18 - SSX160591AA
M19 - SSX160601AA
M20 - SSX160601AB
M21 - SSX160601BA
M22 - SSX160601BB

SPECIAL PARTS

0161R00009P	NAMEPLATE
-------------	-----------

Control Cover / Control Box



Control Cover / Control Box

Ref. Part No:	No:	Description:	Ref. Part No:	No:	Description:
<i>Image 1:</i>					
11	0121R00317PDG	PANEL, LOWER ACCESS PNT (M19, M20, M21, M22)			
11	0121R00318PDG	PANEL, LOWER ACCESS PNT (M1, M2, M8, M9, M15, M16, M18)			
11	0121R00319PDG	PANEL, LOWER ACCESS PNT (M13, M14, M17)			
11	0121R00322PDG	PANEL, LOWER ACCESS PNT (M3, M4, M5, M6, M7, M10, M11, M12)			
21	0121R00053PDG	CONTROL COVER (M2, M3, M4, M5, M6, M7, M9, M10, M11, M12, M13, M14, M16, M17, M18)			
21	4400026PDG	CONTROL COVER (M19, M20, M21, M22)			
21	4400064	CONTROL COVER (M1, M8, M15)			
31	CAP050700440RT	CAP, 5/70 MFD/440V/DUAL RD (M18)			
31	CAP050350440RS	CAPACITOR 5/35/440V (M1, M2, M3, M4, M5)			
31	CAP050400440RT	CAPACITOR 5/40/440V (M6, M7)			
31	CAP050450440RT	CAPACITOR 5/45/440V (M8, M9, M10, M11, M12, M13, M14, M15, M16, M17)			
31	CAP050800440RT	CAPACITOR 5/80/440V (M19, M20, M21, M22)			
41	4400065	CAPACITOR STRAP			
51	10135604	RELAY (M19, M20, M21, M22)			
61	CONT1P025024V	CONTACTOR 25 AMP, 1P, 24V (M1, M2, M3, M4, M5, M6, M7, M8, M9, M10, M11, M12)			
61	CONT1P030024V	CONTACTOR 30 AMP, 1P, 24V (M13, M14, M15, M16, M17)			
61	CONT2P040024V	CONTACTOR 40 AMP, 2P, 24V (M18, M19, M20, M21, M22)			
NS	0161R00009P	NAMEPLATE			

Expanded Model Nomenclature

- M1 - SSX160241AA
- M2 - SSX160241AB
- M3 - SSX160241BA
- M4 - SSX160241BB
- M5 - SSX160241BC
- M6 - SSX160301AA
- M7 - SSX160301AB
- M8 - SSX160361AA
- M9 - SSX160361AB
- M10 - SSX160361BA
- M11 - SSX160361BB
- M12 - SSX160361BC
- M13 - SSX160421AA
- M14 - SSX160421AB
- M15 - SSX160481AA
- M16 - SSX160481AB
- M17 - SSX160481BA
- M18 - SSX160591AA
- M19 - SSX160601AA
- M20 - SSX160601AB
- M21 - SSX160601BA
- M22 - SSX160601BB

Compressor / Tubing Assembly

Image 1

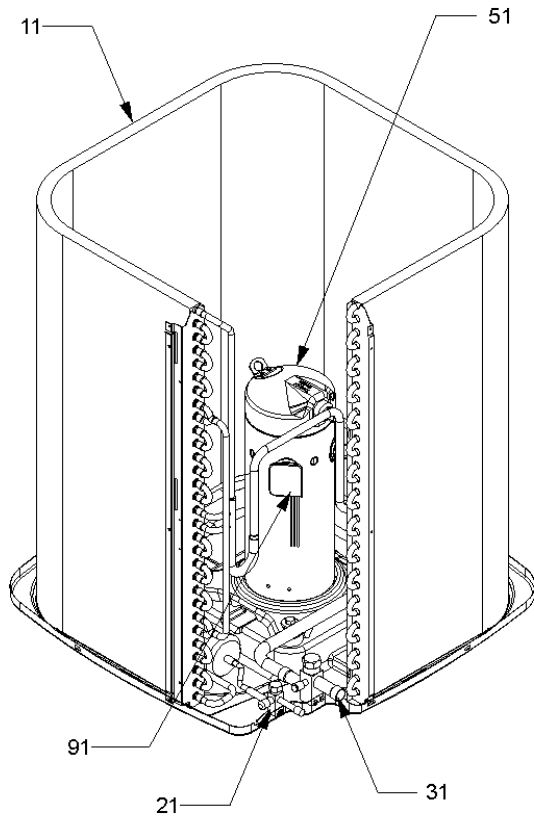


Image 2

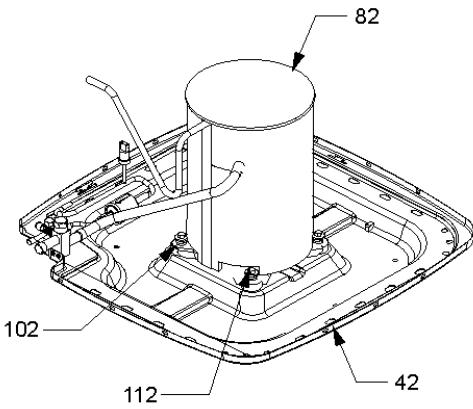
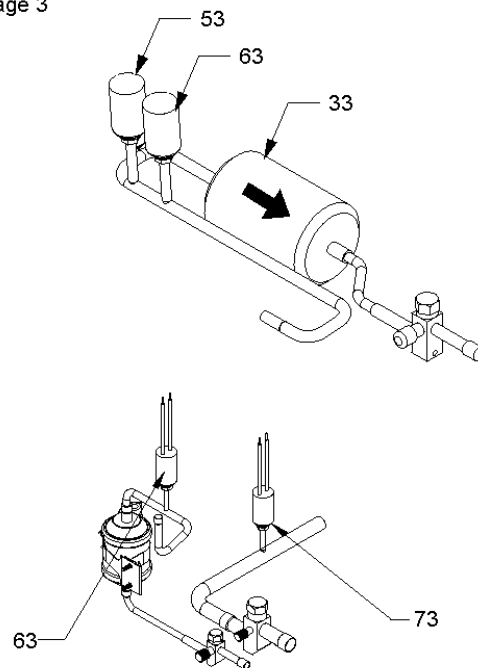


Image 3



Compressor / Tubing Assembly

**Ref. Part
No: No:**

Description:

**Ref. Part
No: No:**

Description:

Image 1:

11	0201R00296	COIL TUBING ASSEMBLY (M3, M4, M5, M6, M7)
11	0201R00311	COIL TUBING ASSY (M17)
11	0201R00315	COIL TUBING ASSY (M13, M14)
11	0201R00041	TUBING ASSY, COND COIL (M15, M16, M18)
11	0201R00078	TUBING ASSY, COND COIL (M1, M2)
11	0201R00278	TUBING ASSY, COND COIL (M10, M11, M12)
11	1362105	TUBING ASSY, COND COIL (M8, M9)
11	1362110	TUBING ASSY, COND COIL (M19, M20, M21, M22)
21	B12825171	3/8 BASE VALVE (OPEN)
31	0151R00032	VALVE, BASE 3/4" OPEN LEFT (M1, M2, M3, M4, M5, M6, M7, M8, M9, M10, M11, M12)
31	0151R00033	VALVE, BASE 7/8" OPEN LEFT (M13, M14, M15, M16, M17, M18, M19, M20, M21, M22)
51	ZP20K5EPFV130	COMP,20000,208/230/60/1 (M1, M2, M3, M4, M5)
51	ZP38K5EPFV130	COMP,37500,208/230/60/1 (M15, M16, M17)
51	ZPS49K4EPFV230	COMP,49200,208/230/60/1/2STG (M21, M22)
51	ZP49K5EPFV130	COMP,49400,208/230/60/1 (M18)
51	ZP24K5EPFV130	COMPRESSOR 24000, 208/230/60/1 (M6, M7)
51	ZP29K5EPFV130	COMPRESSOR 29000, 208/230/60/1 (M8, M9, M10, M11, M12)
51	ZP31K5EPFV130	COMPRESSOR 31100, 208/230/60/1 (M13, M14)
51	ZPS51K4EPFV230	COMPRESSOR 52000, 208/230/60/1/2STG (M19, M20)
91	0159R00000P	COMPRESSOR SCROLL HARNESS (M9, M10, M11, M12)
91	0159R00002P	COMPRESSOR SCROLL HARNESS (M1, M2, M3, M4, M5, M6, M7, M8, M13, M14, M15, M16, M17, M18)
91	20468101	COMPRESSOR SOLENOID CABLE (M19, M20, M21, M22)

Expanded Model Nomenclature

M1 - SSX160241AA
M2 - SSX160241AB
M3 - SSX160241BA
M4 - SSX160241BB
M5 - SSX160241BC
M6 - SSX160301AA
M7 - SSX160301AB
M8 - SSX160361AA
M9 - SSX160361AB
M10 - SSX160361BA
M11 - SSX160361BB
M12 - SSX160361BC
M13 - SSX160421AA
M14 - SSX160421AB
M15 - SSX160481AA
M16 - SSX160481AB
M17 - SSX160481BA
M18 - SSX160591AA
M19 - SSX160601AA
M20 - SSX160601AB
M21 - SSX160601BA
M22 - SSX160601BB

Image 2:

42	0121R00006PDG	BASE PAN 29" (M2, M3, M4, M5, M6, M7, M9, M10, M11, M12, M13, M14)
42	4400011PDG	BASE PAN 29" (M1, M8)
42	0121R00007PDG	BASE PAN 35" (M16, M17, M18, M20, M21, M22)
42	4400012PDG	BASE PAN, 35" PNT (M15, M19)
82	B1488806	COMPRESSOR SOUND BLANKET (M15, M16, M17, M18, M19, M20, M21, M22)
82	B1488807	COMPRESSOR SOUND BLANKET (M1, M2, M8, M9)
82	B1488810	COMPRESSOR SOUND BLANKET (M3, M4, M5, M6, M7, M10, M11, M12, M13, M14)
102	B1339533	COMPRESSOR GROMMET (QTY 4)
112	M0221641	TF SHOULDER SCREW (QTY 4)

Image 3:

33	0162R00009	FILTER DRIER
53	0130R00000	LOW PRESSURE SWITCH (M1, M2, M3, M8, M9, M10, M15, M16, M19, M20, M21)
63	0130M00089	SW-CUTOUT HI PRESS
73	0130M00082	LOW PRESSURE SWITCH (M4, M5, M6, M7, M11, M12, M13, M14, M17, M18, M22)

Cabinet Top / Side Panels

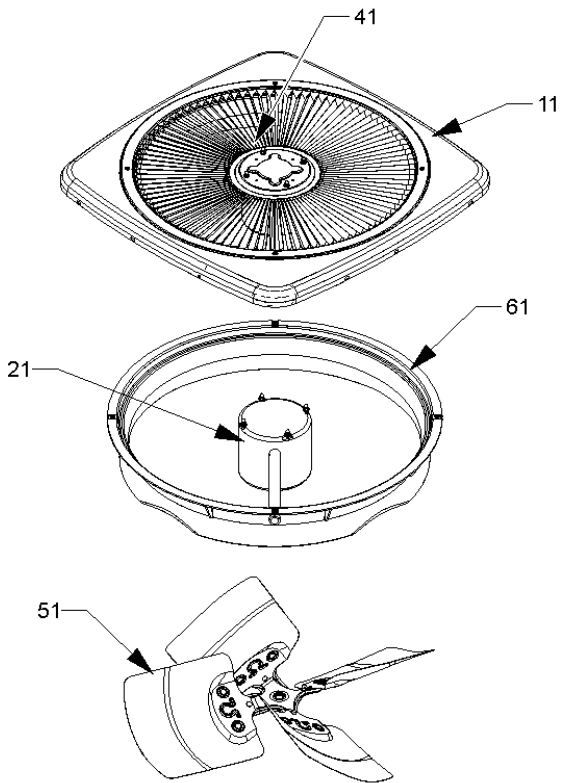


Image 1

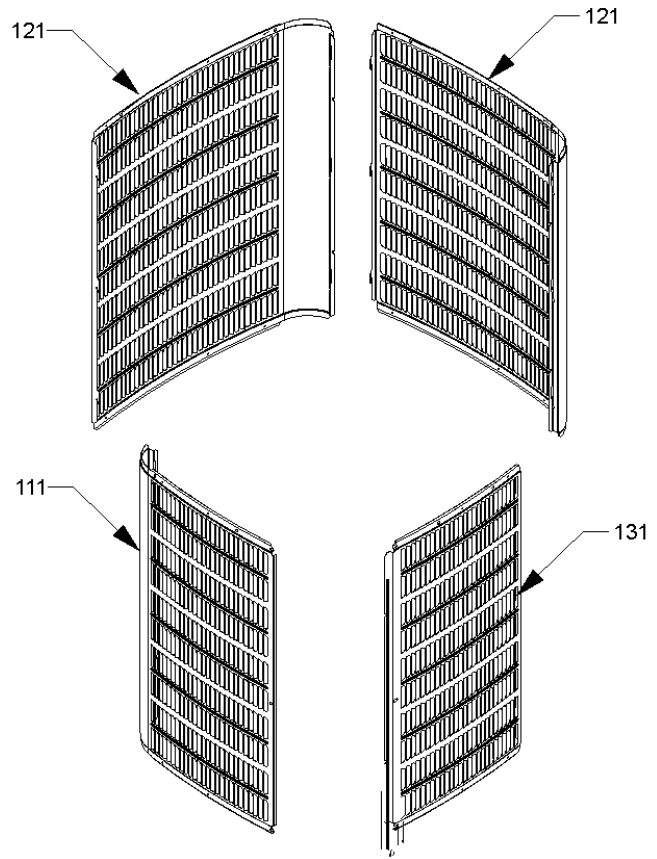
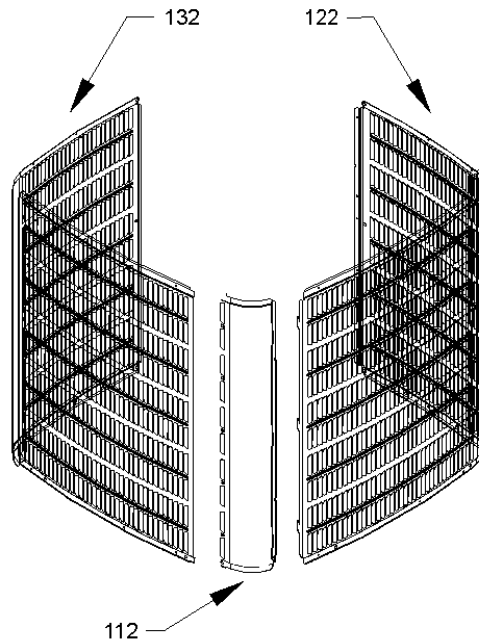


Image 2



Cabinet Top / Side Panels

Ref. Part No: No:	Description:	Ref. Part No: No:	Description:
<i>Image 1:</i>		<i>Image 1:</i>	
11 4400067PDG	PANEL, LOUVER TOP PNT (M1, M8)	131 4400135PDG	PANEL, LOUVER SIDE PNT (M1, M8)
11 4400092PDG	PANEL, LOUVER TOP, 35", PNT (M15, M19)	131 4400142PDG	PANEL, LOUVER SIDE, PNT (M15, M19)
11 0121R00010PDG	PANEL, TOP 29" PNT (M2, M3, M4, M5, M6, M7, M9, M10, M11, M12, M13, M14)	NS 0161R00002P	CONDUIT (M1, M2, M3, M4, M5, M6, M7, M8, M9, M10, M11, M12, M13, M14)
11 0121R00269PDG	Top Panel, 35" Pnt (M16, M17, M18, M20, M21, M22)	NS 0161R00004P	CONDUIT (M15, M16, M17, M18, M19, M20, M21, M22)
21 0131M00019P	COND MOTOR 1/12 HP, 1 SP, 8 PL (M1, M2)	<i>Image 2:</i>	
21 0131M00012P	COND MOTOR 1/6 HP, 1 SP, 8 PL (M8, M9, M15, M16)	112 0121R00350PDG	Louver Post, PDG 28.73 (M5, M7, M12)
21 0131M00016P	COND MOTOR 1/6 HP, 1 SP, 8 PL (M3, M4, M5, M6, M7, M10, M11, M12)	112 0121R00352PDG	Louver Post, PDG 32.51 (M14)
21 0131M00061	COND MOTOR, 1/4HP, 1SP, 8PL (M13, M14, M17, M18)	122 0121R00342PDGR	Louver Panel, PDG 29" _28.73 (M5, M7, M12)
21 0131M00038	COND MOTOR, 1/6HP, 2 SP, 8 PL (M19, M20, M21, M22)	122 0121R00344PDGR	Louver Panel, PDG 29" _32.51 (M14)
41 0163M00006P	ACORN NUT 5/16 HEX BLACK (QTY 4)	132 0121R00342PDGL	Louver Panel, PDG 29" _28.73 (M5, M7, M12)
51 10625733	FAN BLADE 22" ALUM CCW (M8, M9)	132 0121R00344PDGL	Louver Panel, PDG 29" _32.51 (M14)
51 10625737	FAN BLADE 22" ALUM CCW (M1, M2)	Expanded Model Nomenclature	
51 0150M00008	FAN BLADE 22" TNT2203-25 (M10, M11, M12)	M1 - SSX160241AA M2 - SSX160241AB M3 - SSX160241BA M4 - SSX160241BB M5 - SSX160241BC M6 - SSX160301AA M7 - SSX160301AB M8 - SSX160361AA M9 - SSX160361AB M10 - SSX160361BA M11 - SSX160361BB M12 - SSX160361BC M13 - SSX160421AA M14 - SSX160421AB M15 - SSX160481AA M16 - SSX160481AB M17 - SSX160481BA M18 - SSX160591AA M19 - SSX160601AA M20 - SSX160601AB M21 - SSX160601BA M22 - SSX160601BB	
51 10625738	FAN BLADE 26" ALUM CCW (M15, M16, M17, M18, M19, M20, M21, M22)		
51 B1086765	FAN BLADE TYPE 3 (M13, M14)		
51 0150M00022	FAN BLADE, 22" (M3, M4, M5, M6, M7)		
61 0161L00000	VENTURI RING 22" (M1, M2, M3, M4, M5, M6, M7, M8, M9, M10, M11, M12, M13, M14)		
61 0161R00007P	VENTURI RING 35" (M15, M16, M17, M18, M19, M20, M21, M22)		
111 0121R00043PDGB	LOUVERED SIDE PANEL [LT OF CNTL PNL] (M16, M18, M20, M21, M22)		
111 0121R00125PDGB	LOUVERED SIDE PANEL [LT OF CNTL PNL] (M3, M4, M6, M10, M11)		
111 0121R00127PDGB	LOUVERED SIDE PANEL [LT OF CNTL PNL] (M13)		
111 0121R00228PDGB	LOUVERED SIDE PANEL [LT OF CNTL PNL] (M17)		
111 0121R00027PDGB	PANEL 1,BENT LOUVER 29_36.0 (M2, M9)		
111 4400131PDG	PANEL, LOUVER SIDE PNT (M1, M8)		
111 4400138PDG	PANEL, LOUVER SIDE, PNT (M15, M19)		
121 0121R00033PDGB	LOUVERED SIDE PANEL (M2, M9)		
121 0121R00132PDGB	LOUVERED SIDE PANEL (M3, M4, M6, M10, M11)		
121 0121R00134PDGB	LOUVERED SIDE PANEL (M13)		
121 0121R00231PDGB	LOUVERED SIDE PANEL (M17)		
121 0121R00047PDGB	PANEL 2,BENT LOUVER 35_36.0 (M16, M18, M20, M21, M22)		
121 4400133PDG	PANEL. LOUVER SIDE PNT (M1, M8)		
131 0121R00039PDG	LOUVERED SIDE PANEL [RT OF CNTL PNL] (M2, M9)		
131 0121R00051PDG	LOUVERED SIDE PANEL [RT OF CNTL PNL] (M16, M18, M20, M21, M22)		
131 0121R00141PDG	LOUVERED SIDE PANEL [RT OF CNTL PNL] (M13)		
131 0121R00234PDG	LOUVERED SIDE PANEL [RT OF CNTL PNL] (M17)		
131 0121R00139PDG	PANEL 3, LOUVER 29_30.24 PNT (M3, M4, M6, M10, M11)		