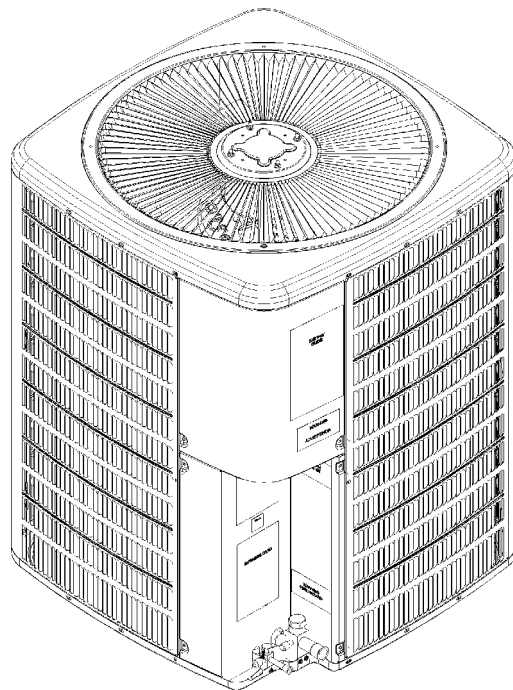


REPAIR PARTS

SSX 14 SEER AC R410A

SSX140181AA
SSX140181AB
SSX140181AC
SSX140241AA
SSX140241AB
SSX140241AC
SSX140301AA
SSX140301AB
SSX140301AC
SSX140301AD
SSX140301AE
SSX140361AA
SSX140361AB
SSX140361AC
SSX140361AD
SSX140361AE
SSX140421AA
SSX140421AB
SSX140421AC
SSX140421AD
SSX140421AE
SSX140421BA
SSX140481AA
SSX140481AB
SSX140481AC
SSX140481AD
SSX140481AE
SSX140601AA
SSX140601AB
SSX140601AC
SSX140601AD
SSX140601AE



Goodman Manufacturing Company, L.P.
5151 San Felipe, Suite 500
Houston, TX 77056

www.goodmanmfg.com www.amana-hac.com

RP-357E
June 2007

Important Information

Index

Functional Parts List	3
Illustration and Parts	6 - 11

Views shown are for parts illustrations only, not servicing procedures

This system uses R410A refrigerant. If sealed system work is required, use approved equipment and follow service procedures. Refer to Service Manual or Installation Instructions for service procedures.

Rev.E: Added models SSX140421BA.

Text Codes:

AR - As Required

NA - Not Available

NS - Not Shown

00000000 - See Note

QTY - Quantity Example (QTY 3) (If Quantity not shown, Quantity = 1)

M - Model Example (M1) (If M Code not shown, then part is used on all Models)

Expanded Model Nomenclature:

Example M1 - Model#1 M2 - Model#2 M3 - Model#3

Goodman Manufacturing Company, L.P. is not responsible for personal injury or property damage resulting from improper service. Review all service information before beginning repairs.

Warranty service must be performed by an authorized technician, using authorized factory parts. If service is required after the warranty expires, Goodman Manufacturing Company, L.P. also recommends contacting an authorized technician and using authorized factory parts.

Goodman Manufacturing Company, L.P. reserves the right to discontinue, or change at any time, specifications or designs without notice or without incurring obligations.

For assistance within the U.S.A. contact:
Consumer Affairs Department
Goodman Manufacturing Company, L.P.
7401 Security Way
Houston, Texas 77040
877-254-4729-Telephone
713-863-2382-Facsimile

For assistance outside the U.S.A. contact:
International Division
Goodman Manufacturing Company, L.P.
7401 Security Way
Houston, Texas 77040
713-861-2500-Telephone
713-863-2382-Facsimile

Functional Parts

Part

No: Description:

Part No:	Description:		
CAP050300370RSS	CAPACITOR 5/30/370V (M1, M2, M3)	B1789867	FLOW CHECK PISTON KIT (M12, M13, M14, M15, M16)
CAP050350370RSS	CAPACITOR 5/35/370 (M4, M5, M6)	B1789879	FLOW CHECK PISTON KIT (M23, M24, M25, M26, M27)
CAP050400370RSS	CAPACITOR 5/40/370V (M7, M8, M9, M10, M11)	B1789874	FLOW CHECK PISTON KIT (M17, M18, M19, M20, M21, M22)
CAP050450370RSS	CAPACITOR 5/45/370V (M12, M13, M14, M15, M16, M17, M18, M19, M20, M21, M22, M23, M24, M25, M26, M27)	0159R00000P	HARNESS, COMPRESSOR SCROLL 130 36" (M1, M2, M3, M4, M5, M6)
CAP050700370RTS	CAPACITOR 5/70/370V (M28, M29, M30, M31, M32)	0159R00001P	HARNESS, COMPRESSOR SCROLL 130 42" (M7, M8, M9, M10, M11, M12, M13, M14, M15, M16)
ZP16K5EPFV830	COMPRESSOR 15500, 208/230/60/1 (M1, M2, M3)	0159R00002P	HARNESS, COMPRESSOR SCROLL 130 46" (M17, M18, M19, M20, M21, M22, M23, M24, M25, M26, M27, M28, M29, M30, M31, M32)
ZP20K5EPFV830	COMPRESSOR 20000, 208/230/60/1 (M4, M5, M6)	1362111	TUBING ASSY, COND COIL (M28, M29, M30)
ZP24K5EPFV830	COMPRESSOR 24000, 208/230/60/1 (M7, M8, M9, M10, M11)	0201R00134	TUBING ASSY, COND COIL (M20, M21, M26, M27)
ZP29K5EPFV830	COMPRESSOR 29000, 208/230/60/1 (M12, M13, M14, M15, M16)	0201R00140	TUBING ASSY, COND COIL (M15, M16)
ZP34K5EPFV830	COMPRESSOR 34500, 208/230/60/1 (M17, M18, M19, M20, M21, M22)	0201R00139	TUBING ASSY, COND COIL (M10, M11)
ZP38K5EPFV830	COMPRESSOR 37500, 208/230/60/1 (M23, M24, M25, M26, M27)	0201R00138	TUBING ASSY, COND COIL (M3, M6)
ZP51K5EPFV830	COMPRESSOR 51000, 208/230/60/1 (M28, M29, M30, M31, M32)	0201R00137S	TUBING ASSY, COND COIL (M31, M32)
B1488806S	COMPRESSOR SOUND BLANKET (M17, M18, M19, M20, M21, M22, M23, M24, M25, M26, M27, M28, M29, M30, M31, M32)	1362110	TUBING ASSY, COND COIL (M17, M18, M19, M23, M24, M25)
B1488807S	COMPRESSOR SOUND BLANKET (M1, M2, M3, M4, M5, M6, M7, M8, M9, M10, M11, M12, M13, M14, M15, M16)	1362105	TUBING ASSY, COND COIL (M22)
0131M00019PS	COND MOTOR 1/12 HP, 1 SP, 8 PL (M1, M2, M3, M4, M5, M6)	1362114	TUBING ASSY, COND COIL (M12, M13, M14)
0131M00061S	COND MOTOR 1/4 HP, 1 SP, 8 PL (M14, M16, M19, M21, M25, M27, M30, M32)	1362113	TUBING ASSY, COND COIL (M7, M8, M9)
0131M00014PS	COND MOTOR 1/4 HP, 1 SP, 8 PL (M12, M13, M15, M17, M18, M20, M23, M24, M26, M28, M29, M31)	1362112	TUBING ASSY, COND COIL (M1, M2, M4, M5)
0131M00016PS	COND MOTOR 1/6 HP, 1 SP, 8 PL (M7, M8, M10)	0151R00002P	VALVE, SERVICE 3/4" OPEN LEFT (M1, M2, M3, M4, M5, M6, M7, M8, M9, M10, M11)
0131M00012PS	COND MOTOR 1/6 HP, 1 SP, 8 PL (M22)	B12825171	VALVE, SERVICE 3/8" OPEN
0131M00060S	COND MOTOR 1/6 HP, 8 PL, 1 SP (M9, M11)	0151R00003P	VALVE, SERVICE 7/8" OPEN LEFT (M12, M13, M14, M15, M16, M17, M18, M19, M20, M21, M22, M23, M24, M25, M26, M27, M28, M29, M30, M31, M32)
CONT2P025024VS	CONTACTOR 25 AMP, 2P, 24V (M16, M17, M18, M19, M20, M21, M22)		
CONT1P030024VS	CONTACTOR 30 AMP, 1P, 24V (M23, M24, M25, M26, M27, M28, M29, M30, M31, M32)		
20322603	CUTOUT SWITCH, HIGH PRESSURE		
20340402	CUTOUT SWITCH, LOW PRESSURE		
B5134711	FILTER DRIER		
B1789888	FLOW CHECK PISTON KIT (M28, M29, M30, M31, M32)		
B1789849	FLOW CHECK PISTON KIT (M1, M2, M3)		
B1789857	FLOW CHECK PISTON KIT (M4, M5, M6)		
B1789863	FLOW CHECK PISTON KIT (M7, M8, M9, M10, M11)		

Functional Parts

Part

No: **Description:**

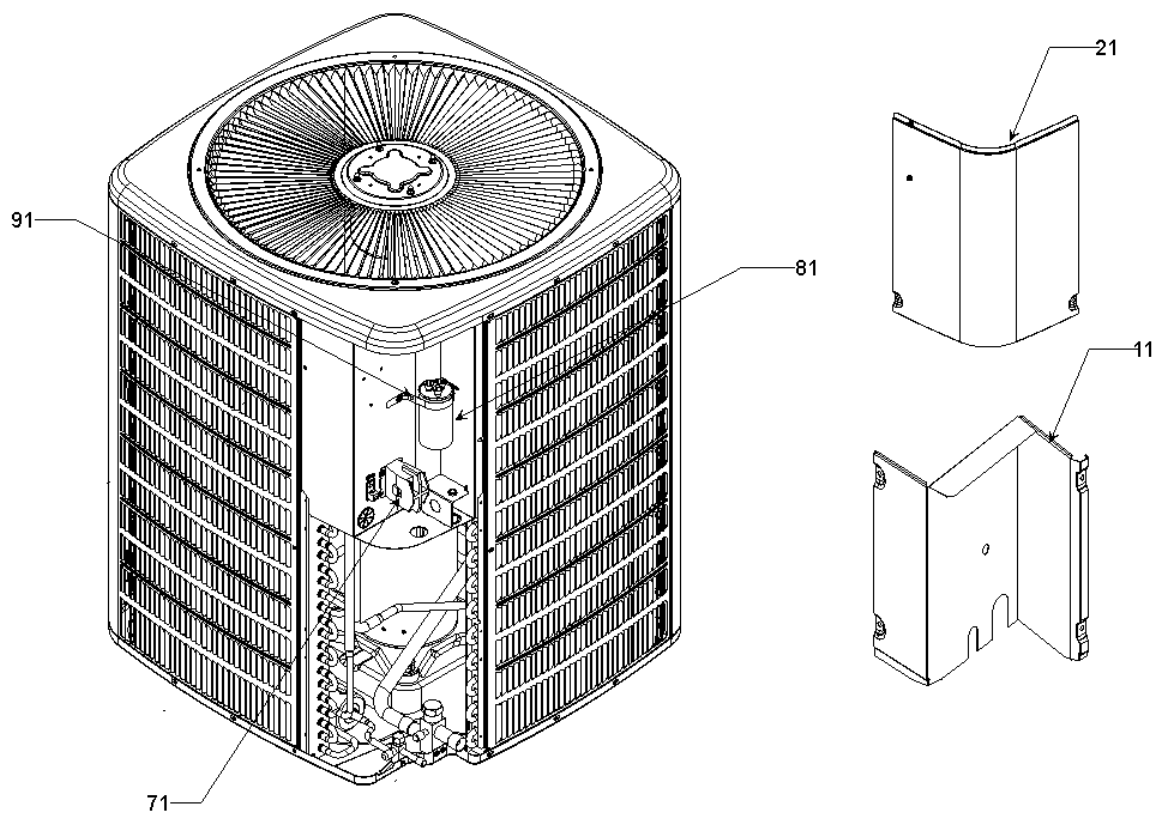
SPECIAL PARTS

IO-258D INSTALLATION INSTRUCTIONS
0161R00009P NAMEPLATE, GOODMAN
RP-357E REPAIR PARTS MANUAL

Expanded Model Nomenclature

M1 - SSX140181AA
M2 - SSX140181AB
M3 - SSX140181AC
M4 - SSX140241AA
M5 - SSX140241AB
M6 - SSX140241AC
M7 - SSX140301AA
M8 - SSX140301AB
M9 - SSX140301AC
M10 - SSX140301AD
M11 - SSX140301AE
M12 - SSX140361AA
M13 - SSX140361AB
M14 - SSX140361AC
M15 - SSX140361AD
M16 - SSX140361AE
M17 - SSX140421AA
M18 - SSX140421AB
M19 - SSX140421AC
M20 - SSX140421AD
M21 - SSX140421AE
M22 - SSX140421BA
M23 - SSX140481AA
M24 - SSX140481AB
M25 - SSX140481AC
M26 - SSX140481AD
M27 - SSX140481AE
M28 - SSX140601AA
M29 - SSX140601AB
M30 - SSX140601AC
M31 - SSX140601AD
M32 - SSX140601AE

Control Cover / Control Box



Control Cover / Control Box

Ref Part No:	Description:	Ref. Part No:	Description:
<i>Image 1:</i>		Expanded Model Nomenclature	
11	4400201PDG ACCESS PANEL, LOWER (M1, M2, M3, M4, M5, M6, M7, M8, M9, M10, M11)	M1 - SSX140181AA	
11	4400202PDG ACCESS PANEL, LOWER (M12, M13, M14, M15, M16)	M2 - SSX140181AB	
11	4400205PDG ACCESS PANEL, LOWER (M17, M18, M19, M20, M21, M22, M23, M24, M25, M26, M27, M28, M29, M30, M31, M32)	M3 - SSX140181AC	
21	0121R00053PDG CONTROL COVER, SML	M4 - SSX140241AA	
71	CONT2P025024VS CONTACTOR 25 AMP, 2P, 24V (M16, M17, M18, M19, M20, M21, M22)	M5 - SSX140241AB	
71	CONT1P030024VS CONTACTOR 30 AMP, 1P, 24V (M23, M24, M25, M26, M27, M28, M29, M30, M31, M32)	M6 - SSX140241AC	
81	CAP050300370RSSCAPACITOR 5/30/370V (M1, M2, M3)	M7 - SSX140301AA	
81	CAP050350370RSSCAPACITOR 5/35/370 (M4, M5, M6)	M8 - SSX140301AB	
81	CAP050400370RSSCAPACITOR 5/40/370V (M7, M8, M9, M10, M11)	M9 - SSX140301AC	
81	CAP050450370RSSCAPACITOR 5/45/370V (M12, M13, M14, M15, M16, M17, M18, M19, M20, M21, M22, M23, M24, M25, M26, M27)	M10 - SSX140301AD	
81	CAP050700370RTSCAPACITOR 5/70/370V (M28, M29, M30, M31, M32)	M11 - SSX140301AE	
91	4400065 CAPACITOR STRAP	M12 - SSX140361AA	
NS	0161R00009P NAMEPLATE, GOODMAN	M13 - SSX140361AB	
		M14 - SSX140361AC	
		M15 - SSX140361AD	
		M16 - SSX140361AE	
		M17 - SSX140421AA	
		M18 - SSX140421AB	
		M19 - SSX140421AC	
		M20 - SSX140421AD	
		M21 - SSX140421AE	
		M22 - SSX140421BA	
		M23 - SSX140481AA	
		M24 - SSX140481AB	
		M25 - SSX140481AC	
		M26 - SSX140481AD	
		M27 - SSX140481AE	
		M28 - SSX140601AA	
		M29 - SSX140601AB	
		M30 - SSX140601AC	
		M31 - SSX140601AD	
		M32 - SSX140601AE	

Compressor / Tubing Assembly

Image 1

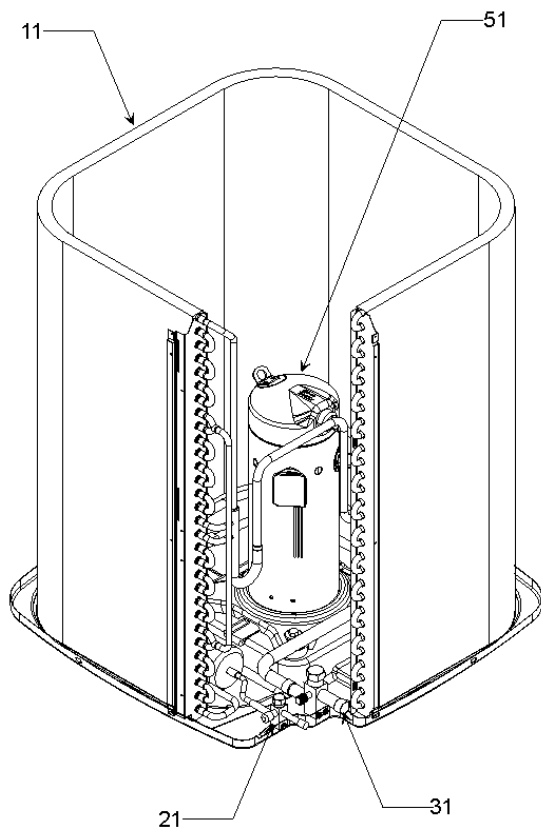


Image 2

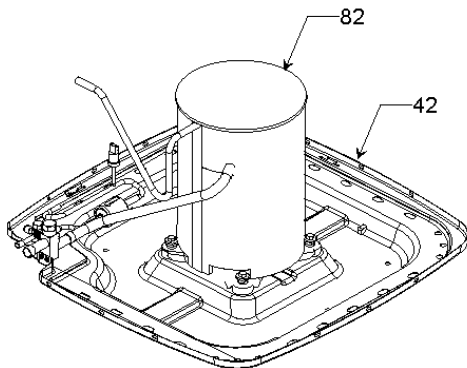
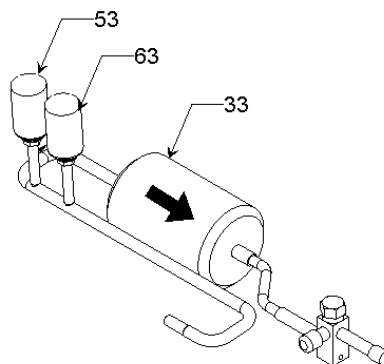


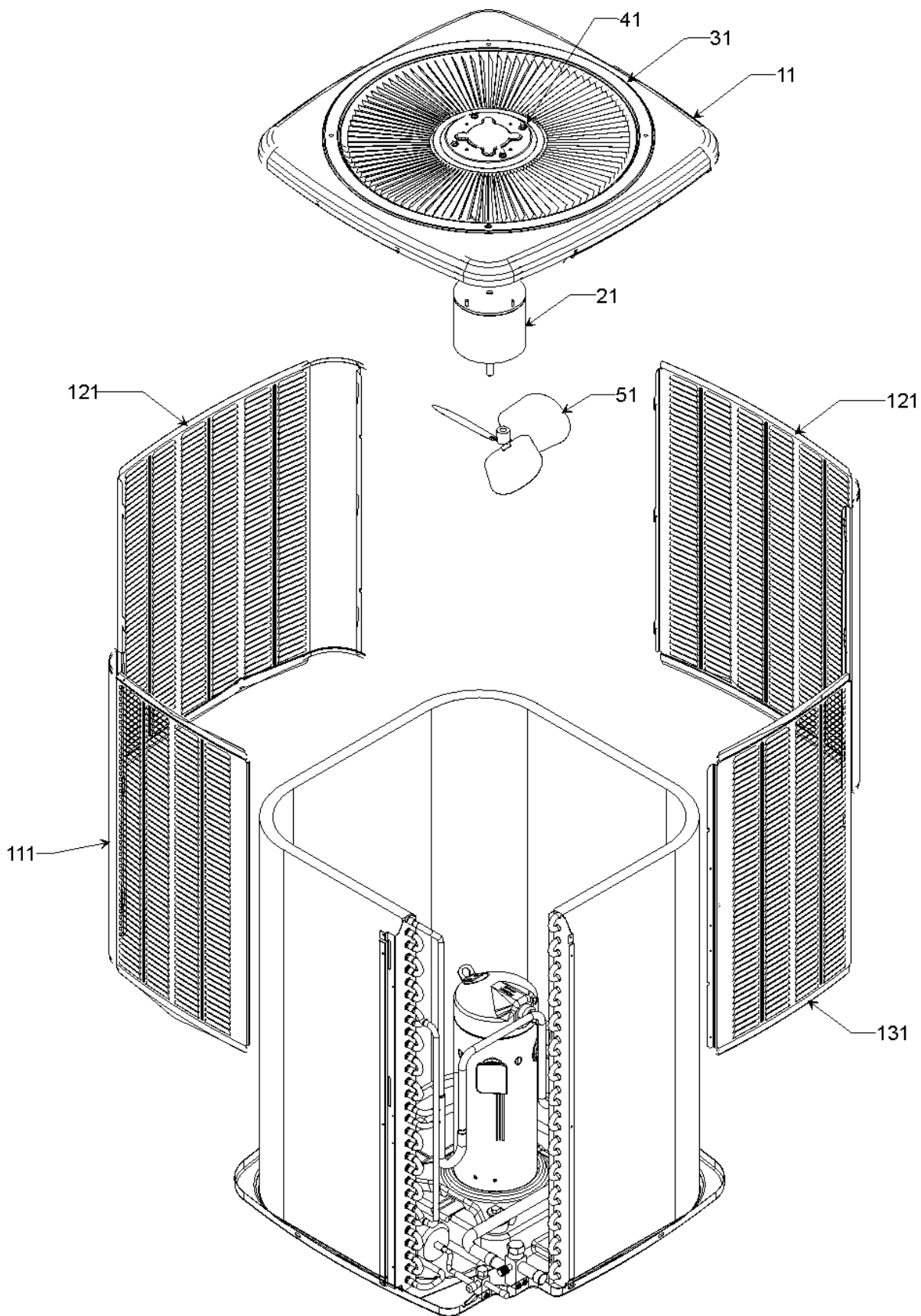
Image 3



Compressor / Tubing Assembly

Ref Part No:	Description:	Ref. Part No:	Description:																																
<i>Image 1:</i>		42	0121R00006PDG BASE PAN 29" (M7, M8, M9, M10, M11, M12, M13, M14, M15, M16, M22)																																
11	0201R00134 TUBING ASSY, COND COIL (M20, M21, M26, M27)	42	0121R00007PDG BASE PAN 35" (M17, M18, M19, M20, M21, M23, M24, M25, M26, M27, M28, M29, M30, M31, M32)																																
11	0201R00137S TUBING ASSY, COND COIL (M31, M32)	82	B1488806S COMPRESSOR SOUND BLANKET (M17, M18, M19, M20, M21, M22, M23, M24, M25, M26, M27, M28, M29, M30, M31, M32)																																
11	0201R00138 TUBING ASSY, COND COIL (M3, M6)	82	B1488807S COMPRESSOR SOUND BLANKET (M1, M2, M3, M4, M5, M6, M7, M8, M9, M10, M11, M12, M13, M14, M15, M16)																																
11	0201R00139 TUBING ASSY, COND COIL (M10, M11)	<i>Image 3:</i>																																	
11	0201R00140 TUBING ASSY, COND COIL (M15, M16)	33	B5134711 FILTER DRIER																																
11	1362105 TUBING ASSY, COND COIL (M22)	53	20340402 CUTOUT SWITCH, LOW PRESSURE																																
11	1362110 TUBING ASSY, COND COIL (M17, M18, M19, M23, M24, M25)	63	20322603 CUTOUT SWITCH, HIGH PRESSURE																																
11	1362111 TUBING ASSY, COND COIL (M28, M29, M30)	Expanded Model Nomenclature																																	
11	1362112 TUBING ASSY, COND COIL (M1, M2, M4, M5)	<table border="1"> <tr><td>M1 - SSX140181AA</td></tr> <tr><td>M2 - SSX140181AB</td></tr> <tr><td>M3 - SSX140181AC</td></tr> <tr><td>M4 - SSX140241AA</td></tr> <tr><td>M5 - SSX140241AB</td></tr> <tr><td>M6 - SSX140241AC</td></tr> <tr><td>M7 - SSX140301AA</td></tr> <tr><td>M8 - SSX140301AB</td></tr> <tr><td>M9 - SSX140301AC</td></tr> <tr><td>M10 - SSX140301AD</td></tr> <tr><td>M11 - SSX140301AE</td></tr> <tr><td>M12 - SSX140361AA</td></tr> <tr><td>M13 - SSX140361AB</td></tr> <tr><td>M14 - SSX140361AC</td></tr> <tr><td>M15 - SSX140361AD</td></tr> <tr><td>M16 - SSX140361AE</td></tr> <tr><td>M17 - SSX140421AA</td></tr> <tr><td>M18 - SSX140421AB</td></tr> <tr><td>M19 - SSX140421AC</td></tr> <tr><td>M20 - SSX140421AD</td></tr> <tr><td>M21 - SSX140421AE</td></tr> <tr><td>M22 - SSX140421BA</td></tr> <tr><td>M23 - SSX140481AA</td></tr> <tr><td>M24 - SSX140481AB</td></tr> <tr><td>M25 - SSX140481AC</td></tr> <tr><td>M26 - SSX140481AD</td></tr> <tr><td>M27 - SSX140481AE</td></tr> <tr><td>M28 - SSX140601AA</td></tr> <tr><td>M29 - SSX140601AB</td></tr> <tr><td>M30 - SSX140601AC</td></tr> <tr><td>M31 - SSX140601AD</td></tr> <tr><td>M32 - SSX140601AE</td></tr> </table>		M1 - SSX140181AA	M2 - SSX140181AB	M3 - SSX140181AC	M4 - SSX140241AA	M5 - SSX140241AB	M6 - SSX140241AC	M7 - SSX140301AA	M8 - SSX140301AB	M9 - SSX140301AC	M10 - SSX140301AD	M11 - SSX140301AE	M12 - SSX140361AA	M13 - SSX140361AB	M14 - SSX140361AC	M15 - SSX140361AD	M16 - SSX140361AE	M17 - SSX140421AA	M18 - SSX140421AB	M19 - SSX140421AC	M20 - SSX140421AD	M21 - SSX140421AE	M22 - SSX140421BA	M23 - SSX140481AA	M24 - SSX140481AB	M25 - SSX140481AC	M26 - SSX140481AD	M27 - SSX140481AE	M28 - SSX140601AA	M29 - SSX140601AB	M30 - SSX140601AC	M31 - SSX140601AD	M32 - SSX140601AE
M1 - SSX140181AA																																			
M2 - SSX140181AB																																			
M3 - SSX140181AC																																			
M4 - SSX140241AA																																			
M5 - SSX140241AB																																			
M6 - SSX140241AC																																			
M7 - SSX140301AA																																			
M8 - SSX140301AB																																			
M9 - SSX140301AC																																			
M10 - SSX140301AD																																			
M11 - SSX140301AE																																			
M12 - SSX140361AA																																			
M13 - SSX140361AB																																			
M14 - SSX140361AC																																			
M15 - SSX140361AD																																			
M16 - SSX140361AE																																			
M17 - SSX140421AA																																			
M18 - SSX140421AB																																			
M19 - SSX140421AC																																			
M20 - SSX140421AD																																			
M21 - SSX140421AE																																			
M22 - SSX140421BA																																			
M23 - SSX140481AA																																			
M24 - SSX140481AB																																			
M25 - SSX140481AC																																			
M26 - SSX140481AD																																			
M27 - SSX140481AE																																			
M28 - SSX140601AA																																			
M29 - SSX140601AB																																			
M30 - SSX140601AC																																			
M31 - SSX140601AD																																			
M32 - SSX140601AE																																			
11	1362113 TUBING ASSY, COND COIL (M7, M8, M9)																																		
11	1362114 TUBING ASSY, COND COIL (M12, M13, M14)																																		
21	B12825171 VALVE, SERVICE 3/8" OPEN																																		
31	0151R00002P VALVE, SERVICE 3/4" OPEN LEFT (M1, M2, M3, M4, M5, M6, M7, M8, M9, M10, M11)																																		
31	0151R00003P VALVE, SERVICE 7/8" OPEN LEFT (M12, M13, M14, M15, M16, M17, M18, M19, M20, M21, M22, M23, M24, M25, M26, M27, M28, M29, M30, M31, M32)																																		
51	ZP16K5EPFV830 COMPRESSOR 15500, 208/230/60/1 (M1, M2, M3)																																		
51	ZP20K5EPFV830 COMPRESSOR 20000, 208/230/60/1 (M4, M5, M6)																																		
51	ZP24K5EPFV830 COMPRESSOR 24000, 208/230/60/1 (M7, M8, M9, M10, M11)																																		
51	ZP29K5EPFV830 COMPRESSOR 29000, 208/230/60/1 (M12, M13, M14, M15, M16)																																		
51	ZP34K5EPFV830 COMPRESSOR 34500, 208/230/60/1 (M17, M18, M19, M20, M21, M22)																																		
51	ZP38K5EPFV830 COMPRESSOR 37500, 208/230/60/1 (M23, M24, M25, M26, M27)																																		
51	ZP51K5EPFV830 COMPRESSOR 51000, 208/230/60/1 (M28, M29, M30, M31, M32)																																		
NS	B1339533 COMPRESSOR GROMMET (QTY 4)																																		
NS	B1789849 FLOW CHECK PISTON KIT (M1, M2, M3)																																		
NS	B1789857 FLOW CHECK PISTON KIT (M4, M5, M6)																																		
NS	B1789863 FLOW CHECK PISTON KIT (M7, M8, M9, M10, M11)																																		
NS	B1789867 FLOW CHECK PISTON KIT (M12, M13, M14, M15, M16)																																		
NS	B1789874 FLOW CHECK PISTON KIT (M17, M18, M19, M20, M21, M22)																																		
NS	B1789879 FLOW CHECK PISTON KIT (M23, M24, M25, M26, M27)																																		
NS	B1789888 FLOW CHECK PISTON KIT (M28, M29, M30, M31, M32)																																		
NS	0159R00000P HARNESS, COMPRESSOR SCROLL 130 36" (M1, M2, M3, M4, M5, M6)																																		
NS	0159R00001P HARNESS, COMPRESSOR SCROLL 130 42" (M7, M8, M9, M10, M11, M12, M13, M14, M15, M16)																																		
NS	0159R00002P HARNESS, COMPRESSOR SCROLL 130 46" (M17, M18, M19, M20, M21, M22, M23, M24, M25, M26, M27, M28, M29, M30, M31, M32)																																		
NS	M0221641 TF SHOULDER SCREW (QTY 4)																																		
<i>Image 2:</i>		42	0121R00005PDG BASE PAN 26" (M1, M2, M3, M4, M5, M6)																																

Cabinet Top / Side Panels



Cabinet Top / Side Panels

Ref Part No:	Description:	Ref. Part No:	Description:
<i>Image 1:</i>		NS 0161R00003P	CONDUIT (M7, M8, M9, M10, M11, M12, M13, M14, M15, M16)
11 0121R00008PDG	TOP PANEL 26" (M1, M2, M3, M4, M5, M6)	NS 0161R00005P	CONDUIT (M17, M18, M19, M20, M21, M23, M24, M25, M26, M27, M28, M29, M30, M31, M32)
11 0121R00010PDG	TOP PANEL 29" (M7, M8, M9, M10, M11, M12, M13, M14, M15, M16, M22)	Expanded Model Nomenclature	
11 0121R00012PDG	TOP PANEL 35" (M17, M18, M19, M20, M21, M23, M24, M25, M26, M27, M28, M29, M30, M31, M32)	M1 - SSX140181AA	
21 0131M00019PS	COND MOTOR 1/12 HP, 1 SP, 8 PL (M1, M2, M3, M4, M5, M6)	M2 - SSX140181AB	
21 0131M00014PS	COND MOTOR 1/4 HP, 1 SP, 8 PL (M12, M13, M15, M17, M18, M20, M23, M24, M26, M28, M29, M31)	M3 - SSX140181AC	
21 0131M00061S	COND MOTOR 1/4 HP, 1 SP, 8 PL (M14, M16, M19, M21, M25, M27, M30, M32)	M4 - SSX140241AA	
21 0131M00012PS	COND MOTOR 1/6 HP, 1 SP, 8 PL (M22)	M5 - SSX140241AB	
21 0131M00016PS	COND MOTOR 1/6 HP, 1 SP, 8 PL (M7, M8, M10)	M6 - SSX140241AC	
21 0131M00060S	COND MOTOR 1/6 HP, 8 PL, 1 SP (M9, M11)	M7 - SSX140301AA	
31 0161R00006P	VENTURI RING 29" (M22)	M8 - SSX140301AB	
41 B1783803	ACORN NUT (M1, M2, M3, M4, M5, M6, M7, M8, M9, M10, M11, M12, M13, M14, M15, M17, M22, M23, M28, M31)	M9 - SSX140301AC	
41 0163M00006P	ACORN NUT 5/16 HEX BLACK (M16, M18, M19, M20, M21, M24, M25, M26, M27, M29, M30, M32)	M10 - SSX140301AD	
51 0150M00009S	FAN BLADE 20" (M1, M2, M3, M4, M5, M6)	M11 - SSX140301AE	
51 10625733S	FAN BLADE 22" ALUM CCW (M22)	M12 - SSX140361AA	
51 0150M00008S	FAN BLADE 22" TNT2203-25 (M7, M8, M9, M10, M11, M12, M13, M14, M15, M16)	M13 - SSX140361AB	
51 10625738S	FAN BLADE 26" ALUM CCW (M17, M18, M19, M20, M21, M23, M24, M25, M26, M27, M28, M29, M30)	M14 - SSX140361AC	
111 0121R00015PDGB	LOUVERED SIDE PANEL (M1, M2, M3, M4, M5, M6)	M15 - SSX140361AD	
111 0121R00024PDG	LOUVERED SIDE PANEL (M7, M8, M9, M10, M11)	M16 - SSX140361AE	
111 0121R00025PDGB	LOUVERED SIDE PANEL (M12, M13, M14, M15, M16)	M17 - SSX140421AA	
111 0121R00027PDGB	LOUVERED SIDE PANEL (M22)	M18 - SSX140421AB	
111 0121R00043PDGB	LOUVERED SIDE PANEL (M17, M18, M19, M20, M21, M23, M24, M25, M26, M27, M28, M29, M30, M31, M32)	M19 - SSX140421AC	
121 0121R00018PDGB	LOUVERED SIDE PANEL (M1, M2, M3, M4, M5, M6)	M20 - SSX140421AD	
121 0121R00030PDGB	LOUVERED SIDE PANEL (M7, M8, M9, M10, M11)	M21 - SSX140421AE	
121 0121R00031PDGB	LOUVERED SIDE PANEL (M12, M13, M14, M15, M16)	M22 - SSX140421BA	
121 0121R00033PDGB	LOUVERED SIDE PANEL (M22)	M23 - SSX140481AA	
121 0121R00047PDGB	LOUVERED SIDE PANEL (M17, M18, M19, M20, M21, M23, M24, M25, M26, M27, M28, M29, M30, M31, M32)	M24 - SSX140481AB	
131 0121R00021PDG	LOUVERED SIDE PANEL (M1, M2, M3, M4, M5, M6)	M25 - SSX140481AC	
131 0121R00036PDG	LOUVERED SIDE PANEL (M7, M8, M9, M10, M11)	M26 - SSX140481AD	
131 0121R00037PDG	LOUVERED SIDE PANEL (M12, M13, M14, M15, M16)	M27 - SSX140481AE	
131 0121R00039PDG	LOUVERED SIDE PANEL (M22)	M28 - SSX140601AA	
131 0121R00051PDG	LOUVERED SIDE PANEL (M17, M18, M19, M20, M21, M23, M24, M25, M26, M27, M28, M29, M30, M31, M32)	M29 - SSX140601AB	
NS 0161R00001P	CONDUIT (M1, M2, M3, M4, M5, M6)	M30 - SSX140601AC	
NS 0161R00002P	CONDUIT (M22)	M31 - SSX140601AD	
		M32 - SSX140601AE	