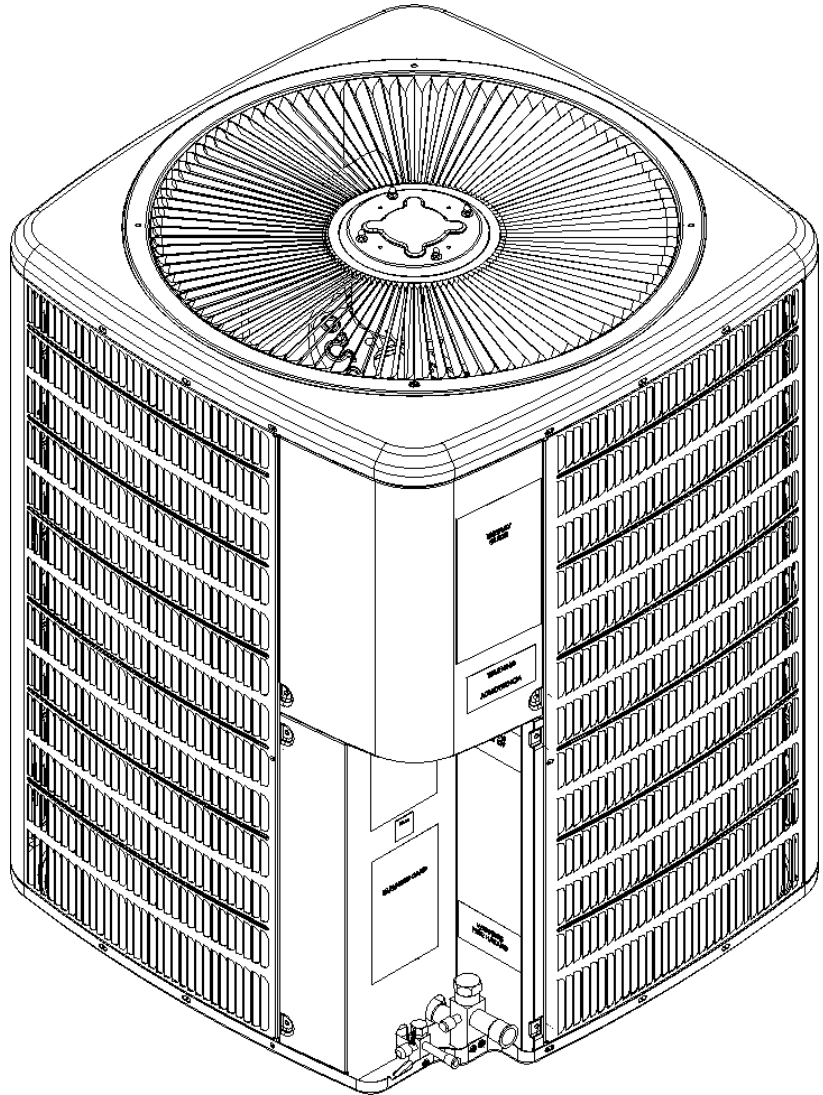


REPAIR PARTS

SSX14 Remote Air Conditioner

SSX140181BB
SSX140181BC
SSX140181BD
SSX140241BB
SSX140241BC
SSX140241BD
SSX140301BB
SSX140301BC
SSX140361BB
SSX140361BC
SSX140361BD
SSX140421CB
SSX140421CC
SSX140421CD
SSX140481BB
SSX140601AF
SSX140601AG



This manual is to be used by qualified technicians only.

This manual replaces RP-728C.

© 2012 - 2017 Goodman Manufacturing Company, L.P. ♦ 5151 San Felipe St., Suite 500 ♦ Houston, TX 77056

Important Information

Index

Functional Parts List	3
Illustration and Parts	4 - 9

Views shown are for parts illustrations only, not servicing procedures

Text Codes:

AR - As Required

NA - Not Available

NS - Not Shown

00000000 - See Note

QTY - Quantity Example (QTY 3) (If Quantity not shown, Quantity = 1)

M - Model Example (M1) (If M Code not shown, then part is used on all Models)

Expanded Model Nomenclature:

Example M1 - Model#1 M2 - Model#2 M3 - Model#3

Goodman Manufacturing Company, L.P. is not responsible for personal injury or property damage resulting from improper service. Review all service information before beginning repairs.

Warranty service must be performed by an authorized technician, using authorized factory parts. If service is required after the warranty expires, Goodman Manufacturing Company, L.P. also recommends contacting an authorized technician and using authorized factory parts.

Goodman Manufacturing Company, L.P. reserves the right to discontinue, or change at any time, specifications or designs without notice or without incurring obligations.

For assistance within the U.S.A. contact:
Homeowner Support
Goodman Manufacturing Company, L.P.
19001 Kermier Road
Waller, Texas 77484
877-254-4729-Telephone
713-863-2382-Facsimile

For assistance outside the U.S.A. contact:
International Division
Goodman Manufacturing Company, L.P.
19001 Kermier Road
Waller, Texas 77484
713-861-2500-Telephone
713-863-2382-Facsimile

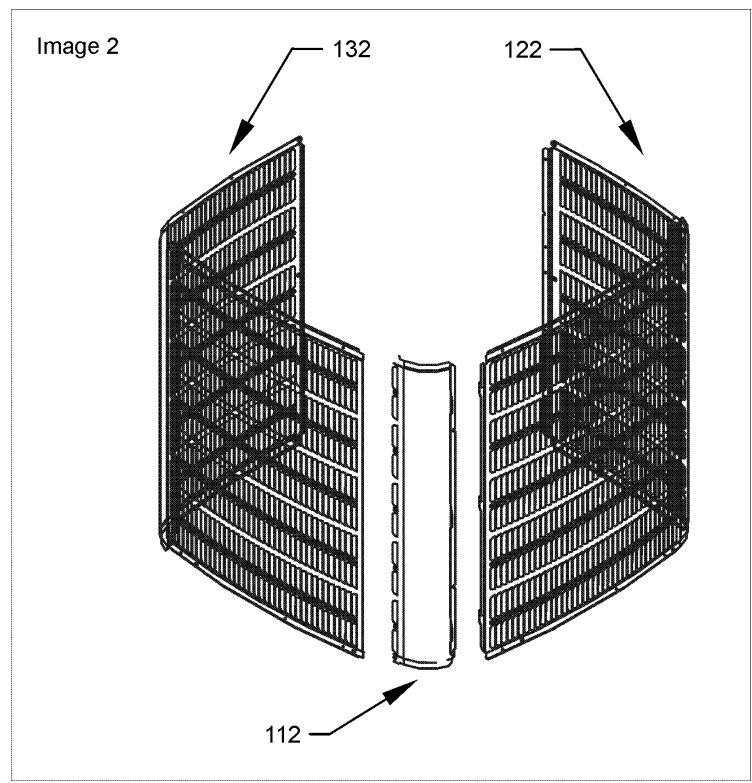
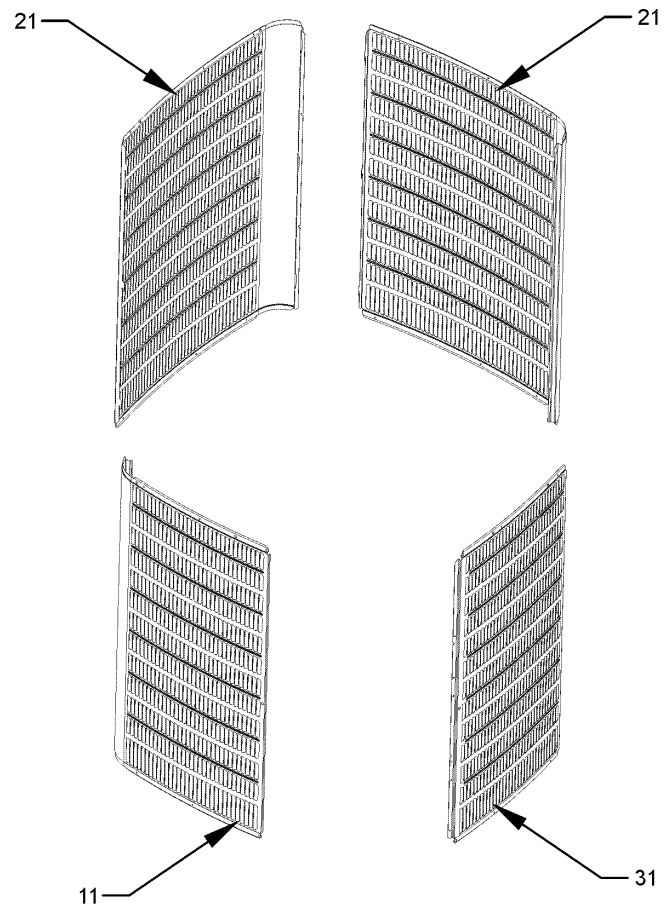
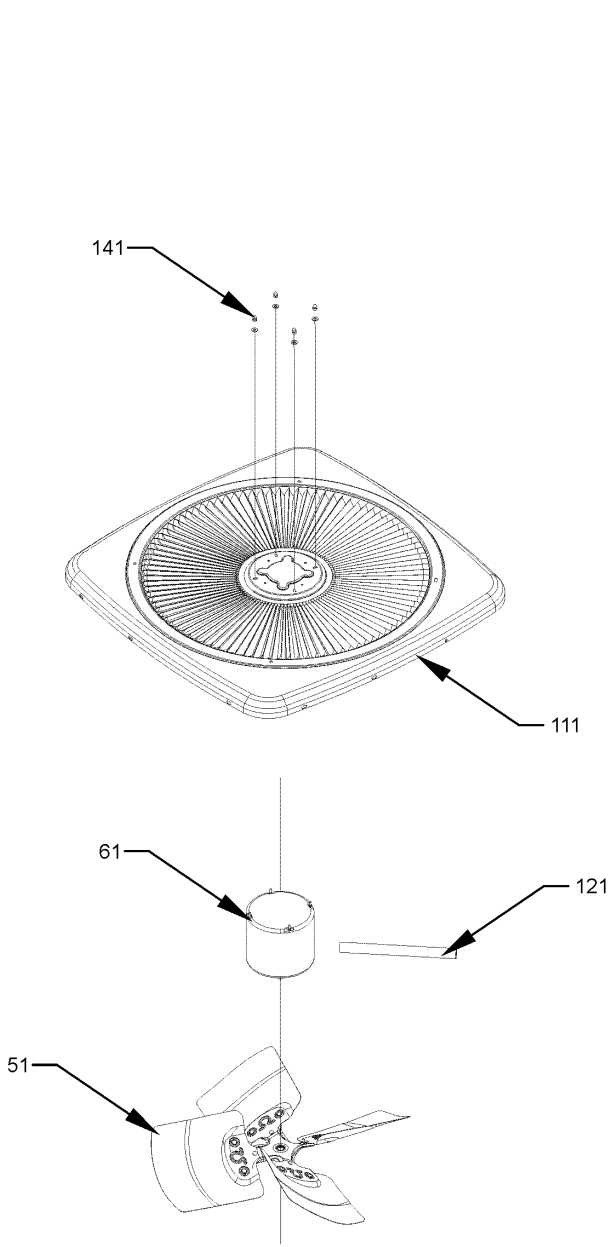
Functional Parts

Part

No: Description:

Part No:	Description:	Expanded Model Nomenclature
0151R00079	BASE VALVE 3/4" (M1, M2, M3, M4, M5, M6, M7, M8, M9, M10)	M1 - SSX140181BB
0151R00078	BASE VALVE 3/8"	M2 - SSX140181BC
0151R00080	BASE VALVE 7/8" (M11, M12, M13, M14, M15, M16)	M3 - SSX140181BD
CAP050300440CS	CAP,5/30MFD/440V/DUAL RD (M1, M2, M3)	M4 - SSX140241BB
CAP050350440CS	CAPACITOR 5/35/440V (M4, M5)	M5 - SSX140241BC
CAP050400440CT	CAPACITOR 5/40/440V/DUAL RD (M6, M7)	M6 - SSX140301BB
CAP050450440CT	CAPACITOR 5/45/440V/DUAL RD (M8, M9, M10, M11, M12, M13, M14)	M7 - SSX140301BC
CAP050700440CT	CAPACITOR 5/70/440V/DUAL RD (M15, M16)	M8 - SSX140361BB
ZP24K5EPFV130	COMP,24000,208/230/60/1 (M6, M7)	M9 - SSX140361BC
ZP29K5EPFV130	COMP,29000,208/230/60/1 (M8, M9, M10)	M10 - SSX140361BD
ZP16K5EPFV130	COMPRESSOR 15500, 208/230/60/1 (M1, M2, M3)	M11 - SSX140421CB
ZP20K5EPFV130	COMPRESSOR 20000, 208/230/60/1 (M4, M5)	M12 - SSX140421CC
ZP31K5EPFV130	COMPRESSOR 31100, 208/230/60/1 (M11, M12, M13)	M13 - SSX140421CD
ZP38K5EPFV130	COMPRESSOR 37500, 208/230/60/1 (M14)	M14 - SSX140481BB
ZP51K5EPFV130	COMPRESSOR 51000, 208/230/60/1 (M15, M16)	M15 - SSX140601AF
0131M00019P	COND MOTOR 1/12 HP, 1 SP, 8 PL (M4, M5)	M16 - SSX140601AG
0131M00061	COND MOTOR 1/4 HP, 1 SP, 8 PL (M14, M15, M16)	
0131M00060	COND MOTOR 1/6 HP, 1 SP, 8 PL (M6, M7, M8, M9, M10, M11, M12, M13)	
0131M00266	COND MOTOR 1/8 HP, 8 PL, PSC (M1, M2, M3)	
CONT1P025024V	CONTACTOR 25 AMP, 1P, 24V (M1, M2, M3, M4, M5, M6, M7, M8, M9, M10, M11, M12, M13)	
CONT1P030024V	CONTACTOR 30 AMP, 1P, 24V (M14, M15, M16)	
0130R00056	CUT-OUT SWITCH, HIGH PRESSURE	
0150M00001P	FAN BLADE 20 INCH (M4, M5)	
0150M00012	FAN BLADE 20" CCW (M1, M2, M3)	
0150M00008	FAN BLADE 22" TNT2203-25 (M8, M9, M10)	
10625738	FAN BLADE 26" ALUM CCW (M14, M15, M16)	
B1086764	FAN BLADE TYPE 2 (M6, M7, M11, M12, M13)	
0130M00082	LOW PRESSURE SWITCH	

Top Panel Assy / Louvered Panels



Top Panel Assy / Louvered Panels

**Ref. Part
No: No:**

Description:

**Ref. Part
No: No:**

Description:

Image 1:

11	0121R00043PDGB	LOUVERED SIDE PANEL [LT OF CNTL PNL] (M15, M16)
11	0121R00102PDGB	LOUVERED SIDE PANEL [LT OF CNTL PNL] (M1)
11	0121R00125PDGB	LOUVERED SIDE PANEL [LT OF CNTL PNL] (M6, M8)
11	0121R00127PDGB	LOUVERED SIDE PANEL [LT OF CNTL PNL] (M11)
11	0121R00171PDGB	LOUVERED SIDE PANEL [LT OF CNTL PNL] (M4)
21	0121R00047PDGB	LOUVERED SIDE PANEL (M15, M16)
21	0121R00109PDGB	LOUVERED SIDE PANEL (M1)
21	0121R00132PDGB	LOUVERED SIDE PANEL (M6, M8)
21	0121R00134PDGB	LOUVERED SIDE PANEL (M11)
21	0121R00172PDGB	LOUVERED SIDE PANEL (M4)
31	0121R00139PDG	LOUVERED SIDE PANEL [RT OF CNTL PNL] (M6, M8)
31	0121R00051PDG	LOUVERED SIDE PANEL [RT OF CNTL PNL] (M15, M16)
31	0121R00116	LOUVERED SIDE PANEL [RT OF CNTL PNL] (M1)
31	0121R00141PDG	LOUVERED SIDE PANEL [RT OF CNTL PNL] (M11)
31	0121R00173PDG	LOUVERED SIDE PANEL [RT OF CNTL PNL] (M4)
51	0150M00001P	FAN BLADE 20 INCH (M4, M5)
51	0150M00012	FAN BLADE 20" CCW (M1, M2, M3)
51	0150M00008	FAN BLADE 22" TNT2203-25 (M8, M9, M10)
51	10625738	FAN BLADE 26" ALUM CCW (M14, M15, M16)
51	B1086764	FAN BLADE TYPE 2 (M6, M7, M11, M12, M13)
61	0131M00019P	COND MOTOR 1/12 HP, 1 SP, 8 PL (M4, M5)
61	0131M00061	COND MOTOR 1/4 HP, 1 SP, 8 PL (M14, M15, M16)
61	0131M00060	COND MOTOR 1/6 HP, 1 SP, 8 PL (M6, M7, M8, M9, M10, M11, M12, M13)
61	0131M00266	COND MOTOR 1/8 HP, 8 PL, PSC (M1, M2, M3)
111	0121R00008PDG	TOP PANEL 26" (M1, M2, M3, M4, M5)
111	0121R00010PDG	TOP PANEL 29" (M6, M7, M8, M9, M10, M11, M12, M13)
111	0121R00269PDG	Top Panel, 35" Pnt (M14, M15, M16)
121	0161R00001P	CONDUIT (M1, M2, M3, M4, M5)
121	0161R00002P	CONDUIT (M8, M9, M10)
121	0161R00003P	CONDUIT (M6, M7, M11, M12, M13)
121	0161R00005P	CONDUIT (M15, M16)
141	0163M00006P	ACORN NUT 5/16 HEX BLACK (QTY 4)

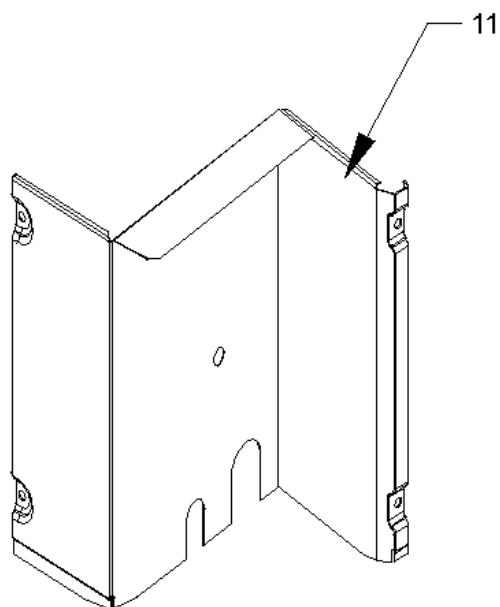
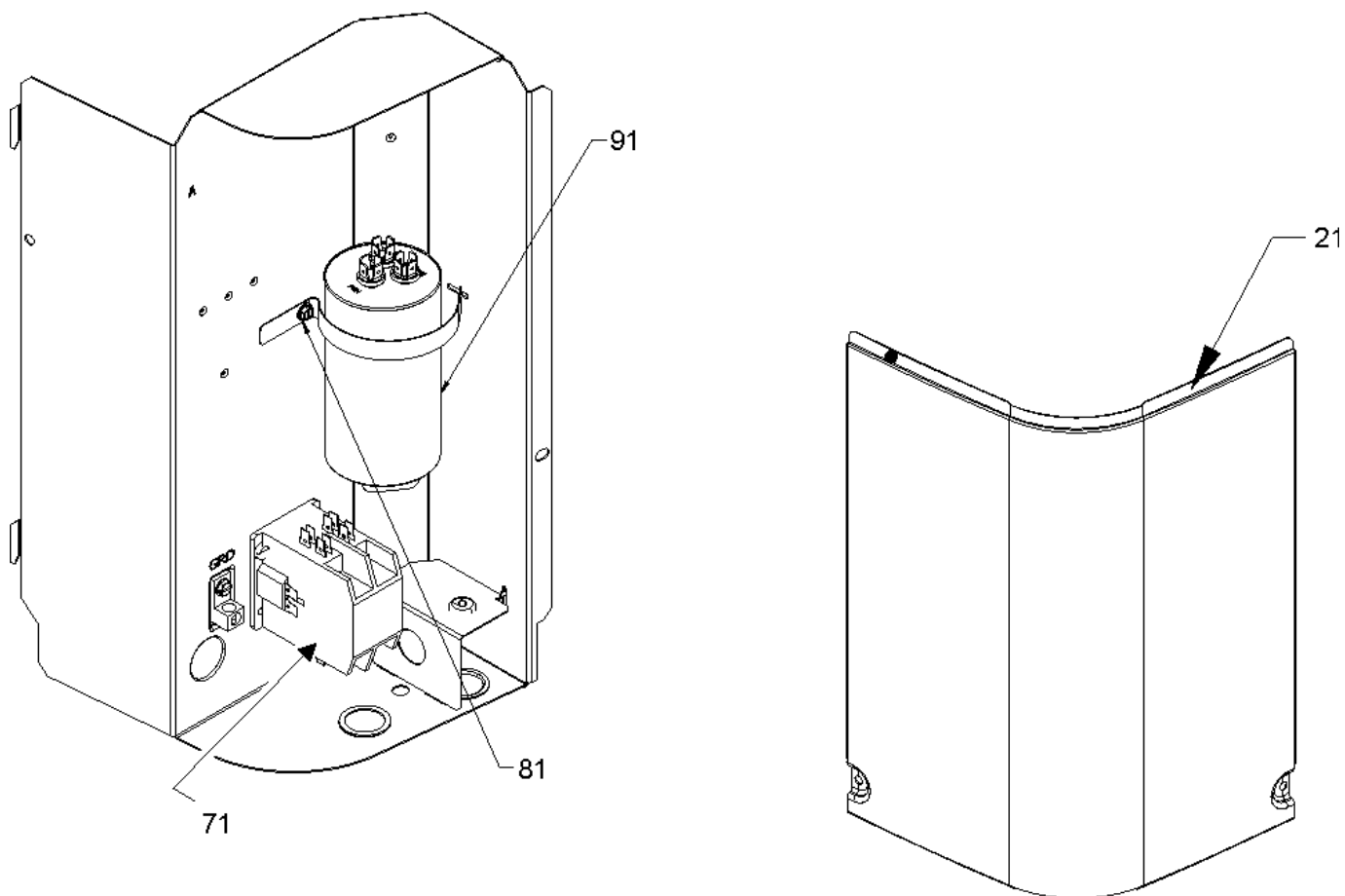
Expanded Model Nomenclature

M1 - SSX140181BB
M2 - SSX140181BC
M3 - SSX140181BD
M4 - SSX140241BB
M5 - SSX140241BC
M6 - SSX140301BB
M7 - SSX140301BC
M8 - SSX140361BB
M9 - SSX140361BC
M10 - SSX140361BD
M11 - SSX140421CB
M12 - SSX140421CC
M13 - SSX140421CD
M14 - SSX140481BB
M15 - SSX140601AF
M16 - SSX140601AG

Image 2:

112	0121R00347PDG	Louver Post, PDG 23.73 (M2, M3)
112	0121R00350PDG	Louver Post, PDG 28.73 (M5, M7, M9, M10)
112	0121R00352PDG	Louver Post, PDG 32.51 (M12, M13)
122	0121R00336PDGRS	Louver Panel, PDG 26" _23.73 (M2, M3)
122	0121R00337PDGRS	Louver Panel, PDG 26" _28.73 (M5)
122	0121R00342PDGRS	Louver Panel, PDG 29" _28.73 (M7, M9, M10)
122	0121R00344PDGRS	Louver Panel, PDG 29" _32.51 (M12, M13)
132	0121R00336PDGLS	Louver Panel, PDG 26" _23.73 (M2, M3)
132	0121R00337PDGLS	Louver Panel, PDG 26" _28.73 (M5)
132	0121R00342PDGLS	Louver Panel, PDG 29" _28.73 (M7, M9, M10)
132	0121R00344PDGLS	Louver Panel, PDG 29" _32.51 (M12, M13)

Control Box and Cover



Control Box and Cover

Ref. Part No: No:	Description:	Ref. Part No: No:	Description:
-------------------	--------------	-------------------	--------------

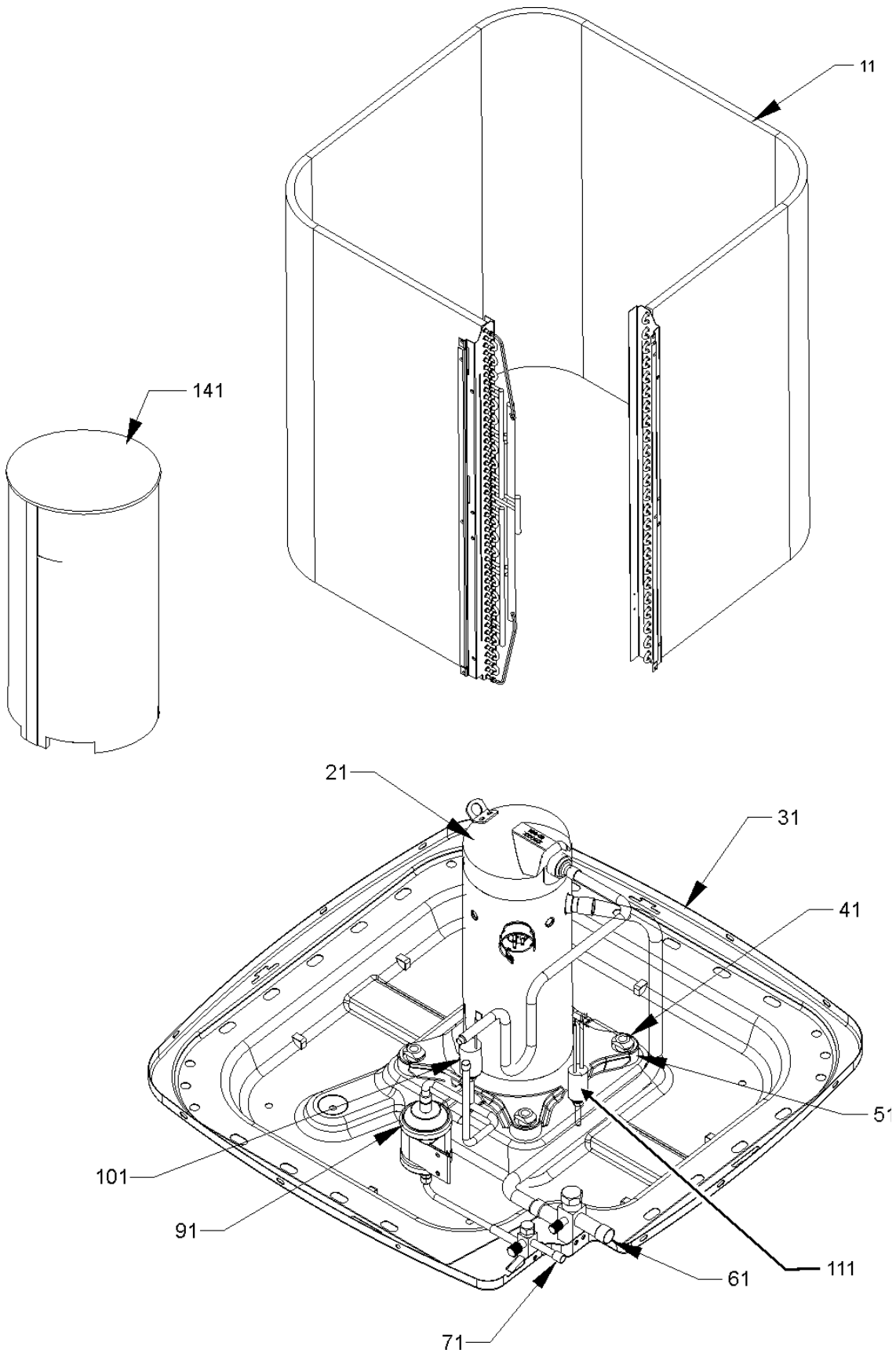
Image 1:

11	0121R00663PDG	LOWER ACCESS PANEL (M4, M5, M6, M7, M8, M9, M10)
11	0121R00318PDG	PANEL, LOWER ACCESS PNT (M15, M16)
11	0121R00319PDG	PANEL, LOWER ACCESS PNT (M11, M12, M13, M14)
11	0121R00326PDG	PANEL, LOWER ACCESS PNT (M1, M2, M3)
21	0121R00053PDG	CONTROL COVER
71	CONT1P025024V	CONTACTOR 25 AMP, 1P, 24V (M1, M2, M3, M4, M5, M6, M7, M8, M9, M10, M11, M12, M13)
71	CONT1P030024V	CONTACTOR 30 AMP, 1P, 24V (M14, M15, M16)
81	CAP050300440CS	CAP,5/30MFD/440V/DUAL RD (M1, M2, M3)
81	CAP050350440CS	CAPACITOR 5/35/440V (M4, M5)
81	CAP050400440CT	CAPACITOR 5/40/440V/DUAL RD (M6, M7)
81	CAP050450440CT	CAPACITOR 5/45/440V/DUAL RD (M8, M9, M10, M11, M12, M13, M14)
81	CAP050700440CT	CAPACITOR 5/70/440V/DUAL RD (M15, M16)
91	4400065	CAPACITOR STRAP
NS	0161R00009P	NAMEPLATE

Expanded Model Nomenclature

M1 - SSX140181BB
M2 - SSX140181BC
M3 - SSX140181BD
M4 - SSX140241BB
M5 - SSX140241BC
M6 - SSX140301BB
M7 - SSX140301BC
M8 - SSX140361BB
M9 - SSX140361BC
M10 - SSX140361BD
M11 - SSX140421CB
M12 - SSX140421CC
M13 - SSX140421CD
M14 - SSX140481BB
M15 - SSX140601AF
M16 - SSX140601AG

Condenser Coil and Tubing Assy



Condenser Coil and Tubing Assy

Ref. Part
No: No:

Description:

Ref. Part
No: No:

Description:

Image 1:

11	0201R00311	COIL TUBING ASSY (M14)
11	0201R00315	COIL TUBING ASSY (M11, M12, M13)
11	0201R00137	TUBING ASSY, COND COIL (M15, M16)
11	0201R00230	TUBING ASSY, COND COIL (M6, M7)
11	0201R00252	TUBING ASSY, COND COIL (M4, M5)
11	0201R00271	TUBING ASSY, COND COIL (M1, M2, M3)
11	0201R00278	TUBING ASSY, COND COIL (M8, M9, M10)
21	ZP24K5EPFV130	COMP,24000,208/230/60/1 (M6, M7)
21	ZP29K5EPFV130	COMP,29000,208/230/60/1 (M8, M9, M10)
21	ZP16K5EPFV130	COMPRESSOR 15500, 208/230/60/1 (M1, M2, M3)
21	ZP20K5EPFV130	COMPRESSOR 20000, 208/230/60/1 (M4, M5)
21	ZP31K5EPFV130	COMPRESSOR 31100, 208/230/60/1 (M11, M12, M13)
21	ZP38K5EPFV130	COMPRESSOR 37500, 208/230/60/1 (M14)
21	ZP51K5EPFV130	COMPRESSOR 51000, 208/230/60/1 (M15, M16)
31	0121R00005PDG	BASE PAN 26" (M1, M2, M3, M4, M5)
31	0121R00006PDG	BASE PAN 29" (M6, M7, M8, M9, M10, M11, M12, M13)
31	0121R00007PDG	BASE PAN 35" (M14, M15, M16)
41	M0221641	TF SHOULDER SCREW (QTY 4)
51	B1339533	COMPRESSOR GROMMET (QTY 4)
61	0151R00079	BASE VALVE 3/4" (M1, M2, M3, M4, M5, M6, M7, M8, M9, M10)
61	0151R00080	BASE VALVE 7/8" (M11, M12, M13, M14, M15, M16)
71	0151R00078	BASE VALVE 3/8"
91	0162R00009	FILTER DRIER
101	0130R00056	CUT-OUT SWITCH, HIGH PRESSURE
111	0130M00082	LOW PRESSURE SWITCH
141	0160M00004	COMPRESSOR SOUND BLANKET (M4, M5, M6, M7, M8, M9, M10, M11, M12, M13, M15, M16)
141	B1488806	COMPRESSOR SOUND BLANKET (M14)
141	B1488810	COMPRESSOR SOUND BLANKET (M1, M2, M3)
NS	0159R00000P	COMPRESSOR SCROLL HARNESS (M1, M2, M3, M4, M5)
NS	0159R00001P	COMPRESSOR SCROLL HARNESS (M6, M7, M8, M9, M10, M11, M12, M13)
NS	0159R00002P	COMPRESSOR SCROLL HARNESS (M14, M15, M16)
NS	B1789852	FLOW CHECK PISTON KIT .052 (M1, M2, M3)
NS	B1789855	FLOW CHECK PISTON KIT .055 (M4, M5)
NS	B1789865	FLOW CHECK PISTON KIT .065 (M6, M7)
NS	B1789868	FLOW CHECK PISTON KIT .068 (M8, M9, M10)
NS	B1789870	FLOW CHECK PISTON KIT .070 (M11, M12, M13)
NS	B1789888	FLOW CHECK PISTON KIT .088 (M15, M16)

Expanded Model Nomenclature

M1 - SSX140181BB
M2 - SSX140181BC
M3 - SSX140181BD
M4 - SSX140241BB
M5 - SSX140241BC
M6 - SSX140301BB
M7 - SSX140301BC
M8 - SSX140361BB
M9 - SSX140361BC
M10 - SSX140361BD
M11 - SSX140421CB
M12 - SSX140421CC
M13 - SSX140421CD
M14 - SSX140481BB
M15 - SSX140601AF
M16 - SSX140601AG