

PTH153 - 154J Package Terminal Heat Pump

PTH153J25AXXXAA
PTH153J25CXXXAA
PTH153J25VXXXAA
PTH153J35AXXXAA
PTH153J35CXXXAA
PTH153J35PXXXAA
PTH153J35VXXXAA
PTH153J50AXXXAA
PTH153J50CXXXAA
PTH153J50VXXXAA
PTH154J25AXXXAA
PTH154J35AXXXAA
PTH154J35CXXXAA
PTH154J35VXXXAA
PTH154J50AXXXAA
PTH154J50CXXXAA
PTH154J50VXXXAA



Amana® is a registered trademark of Maytag Corporation or its related companies and is used under license. All rights reserved.

This manual is to be used by qualified technicians only.

Important Information

Index

| | |
|------------------------------|--------|
| Functional Parts List | 3 |
| Illustration and Parts | 4 - 13 |

Views shown are for parts illustrations only, not servicing procedures.

Text Codes:

AR - As Required

NA - Not Available

NS - Not Shown

00000000 - See Note

QTY - Quantity Example (QTY 3) (If Quantity not shown, Quantity = 1)

M - Model Example (M1) (If M Code not shown, then part is used on all Models)

Expanded Model Nomenclature:

| |
|---|
| Example M1 - Model#1 M2 - Model#2 M3 - Model#3 |
|---|

Goodman Company, L.P. is not responsible for personal injury or property damage resulting from improper service. Review all service information before beginning repairs.

Warranty service must be performed by an authorized technician, using authorized factory parts. If service is required after the warranty expires, Goodman Company, L.P. also recommends contacting an authorized technician and using authorized factory parts.

Goodman Company, L.P. reserves the right to discontinue, or change at any time, specifications or designs without notice or without incurring obligations.

For assistance within the U.S.A. contact:

Homeowner Support
Goodman Company, L.P.
19001 Kermier Road
Waller, Texas 77484
877-254-4729-Telephone
713-863-2382-Facsimile

For assistance outside the U.S.A. contact:

International Division
Goodman Company, L.P.
19001 Kermier Road
Waller, Texas 77484
713-861-2500-Telephone
713-863-2382-Facsimile

Functional Parts

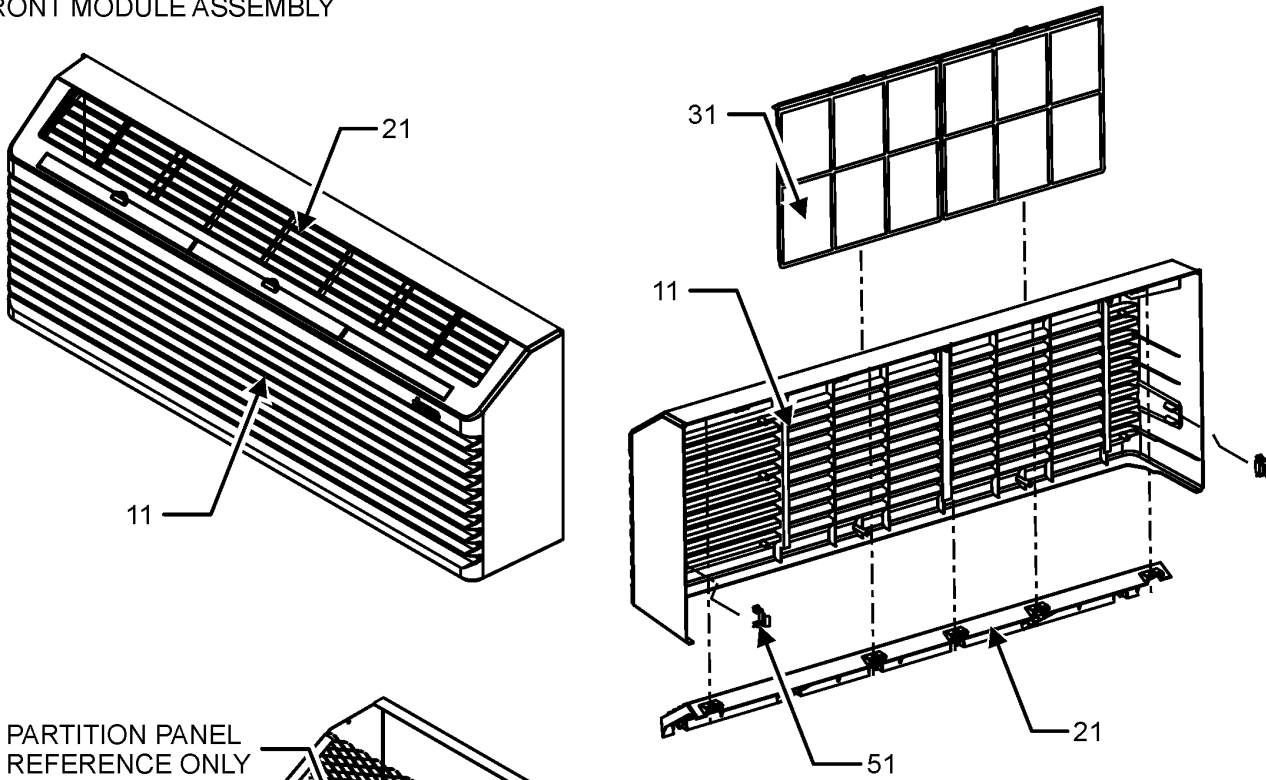
Part

No: Description:

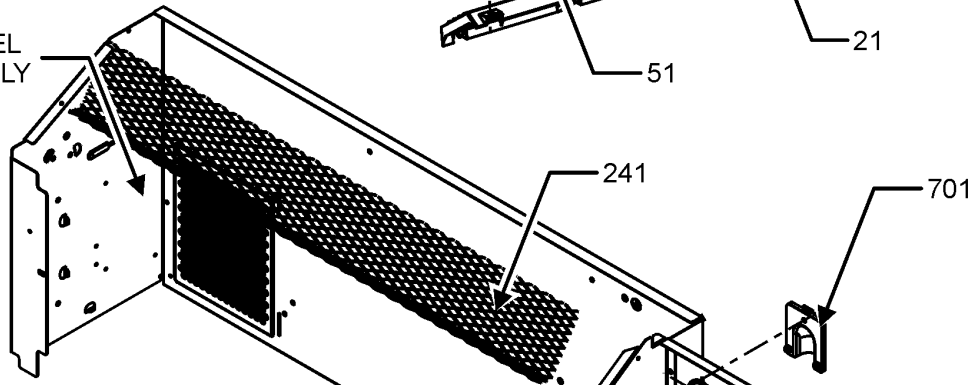
| Part No: | Description: | Expanded Model Nomenclature |
|----------------|---|-----------------------------|
| CAP020350450CS | 2/35 MFD/450V/DUAL RD CAP (M11, M12, M13, M14, M15, M16, M17) | M1 - PTH153J25AXXXAA |
| CAB050400440CT | CAP, 5/40 MFD/440V RD - BPRF (M1, M2, M3, M4, M5, M6, M7, M8, M9, M10) | M2 - PTH153J25CXXXAA |
| CAP015000500RP | CAPACITOR (M11, M12, M13, M14, M15, M16, M17) | M3 - PTH153J25VXXXAA |
| CAP020000440RP | CAPACITOR (M1, M2, M3, M4, M5, M6, M7, M8, M9, M10) | M4 - PTH153J35AXXXAA |
| 50W3522M-9GLE | Compressor-R32 (M1, M2, M3, M4, M5, M6, M7, M8, M9, M10) | M5 - PTH153J35CXXXAA |
| 50W3572M-9GLE | Compressor-R32 (M11, M12, M13, M14, M15, M16, M17) | M6 - PTH153J35PXXXAA |
| 0130P00177 | CORD, 250 VAC, 20A (LCDI (M4, M5, M6, M7) | M7 - PTH153J35VXXXAA |
| 0130P00184 | CORD, 250VAC, 15A, (LCDI (M1, M2, M3) | M8 - PTH153J50AXXXAA |
| 0130P00178 | CORD, 277V, 20A (M11, M12, M13, M14) | M9 - PTH153J50CXXXAA |
| 0130P00186 | CORD, 277V, 30A (M15, M16, M17) | M10 - PTH153J50VXXXAA |
| 0130P00185 | CORD,250VAC,30A (LCDI) (M8, M9, M10) | M11 - PTH154J25AXXXAA |
| 0161P00140 | COVER WIRE | M12 - PTH154J35AXXXAA |
| 0161P00055 | FAN CONDENSER | M13 - PTH154J35CXXXAA |
| 3P263839-1 | FERRITE CORE | M14 - PTH154J35VXXXAA |
| A3410402 | FUSE-15A - BLUE (M11) | M15 - PTH154J50AXXXAA |
| A3410403 | FUSE-20A - ORANGE (M12, M13, M14) | M16 - PTH154J50CXXXAA |
| 0275P00087 | Heater 230 v-3.5 KW (M4, M5, M6, M7) | M17 - PTH154J50VXXXAA |
| 0275P00089 | Heater 230 v-5 KW (M8, M9, M10) | |
| 0275P00088 | Heater 265 v-3.5 KW (M12, M13, M14) | |
| 0275P00090 | Heater 265 v-5 KW (M15, M16, M17) | |
| 0275P00019 | HEATER ASSY (M1, M2, M3) | |
| 0275P00023 | HEATER ASSY (M11) | |
| 0130P00187 | HUMIDITY SENSOR (M3, M7, M10, M14, M17) | |
| 0131P00061 | INDOOR MOTOR-PSC (M1, M2, M3, M4, M5, M6, M7, M8, M9, M10) | |
| 0131P00071 | INDOOR MOTOR-PSC (M11, M12, M13, M14, M15, M16, M17) | |
| PCBCP160 | M90 Board Tier 1 (M1, M2, M3, M4, M5, M7, M8, M9, M10, M11, M12, M13, M14, M15, M16, M17) | |
| PCBCP170 | M90 Board Tier 2 (M6) | |
| 0130P00137 | MOTOR (M3, M7, M10, M14, M17) | |
| 0131P00085 | OUTDOOR MOTOR, DC (M6) | |
| 0131P00063 | OUTDOOR MOTOR-PSC (M1, M2, M3, M4, M5, M7, M8, M9, M10) | |
| 0131P00064 | OUTDOOR MOTOR-PSC (M11, M12, M13, M14, M15, M16, M17) | |
| 0151P00024 | PTAC REVERSING VLV ASSY (M11, M12, M13, M14, M15, M16, M17) | |
| 0151P00023 | PTAC REVERSING VLV ASSY (M1, M2, M3, M4, M5, M6, M7, M8, M9, M10) | |
| 0130M00735 | SWITCH HIGH PRESSURE | |
| 0130P00167 | THERMISTOR INDOOR | |
| 0130P00167 | THERMISTOR INDOOR | |
| 0130P00173 | THERMISTOR OUTDOOR 7MM | |
| 0130M00726 | Transformer 20VA 240/208V (M1, M2, M3, M4, M5, M6, M7, M8, M9, M10) | |
| 0130M00728 | TRANSFORMER 20VA 277V (M11, M12, M13, M14, M15, M16, M17) | |
| 0130M00727 | Transformer 40VA 240/208V (M3, M7, M10) | |
| 0130M00729 | TRANSFORMER 40VA 277V (M14, M17) | |
| 0151M00026 | VALVE, CHECK | |
| 20406303 | VALVE-BASEPAN | |

FRONT MODULE AND CONTROL PANEL ASSEMBLY

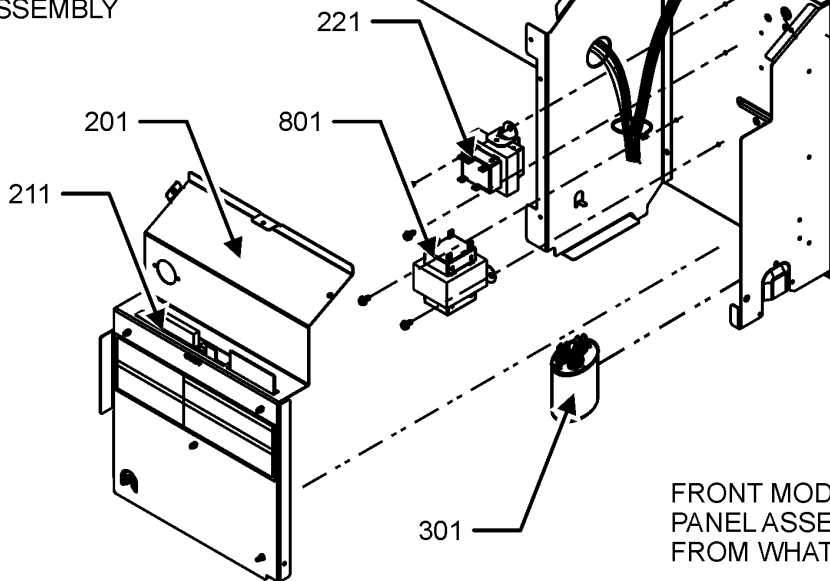
FRONT MODULE ASSEMBLY



PARTITION PANEL
REFERENCE ONLY



CONTROL PANEL ASSEMBLY



FRONT MODULE AND CONTROL
PANEL ASSEMBLY MAY DIFFER
FROM WHAT IS SHOWN

FRONT MODULE AND CONTROL PANEL ASSEMBLY

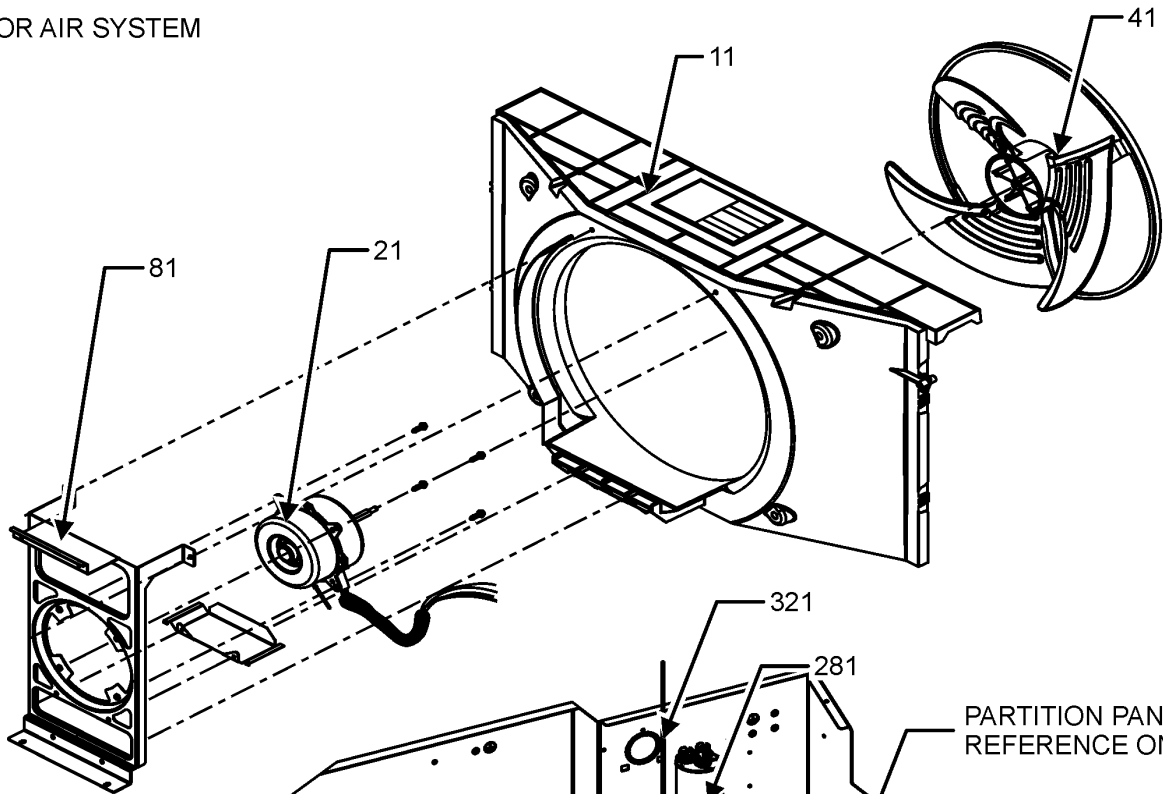
| Ref. Part No: | Part No: | Description: | Ref. Part No: | Part No: | Description: |
|-----------------|----------------|---|---------------|----------|--------------|
| Image 1: | | | | | |
| 11 | 0261P00033 | FRONT ASSY | | | |
| 21 | 0161P00132 | LOUVERED FRONT DISCHARGE | | | |
| 31 | 0161P00148 | FILTER RACK (QTY 2) | | | |
| 51 | 0163P00025 | CLIP (QTY 2) | | | |
| 201 | 0121P00431 | CONTROL BOX PANEL | | | |
| 211 | PCBCP160 | M90 Board Tier 1 (M1, M2, M3, M4, M5, M7, M8, M9, M10, M11, M12, M13, M14, M15, M16, M17) | | | |
| 211 | PCBCP170 | M90 Board Tier 2 (M6) | | | |
| 221 | 0130M00726 | Transformer 20VA 240/208V (M1, M2, M3, M4, M5, M6, M7, M8, M9, M10) | | | |
| 221 | 0130M00728 | TRANSFORMER 20VA 277V (M11, M12, M13, M14, M15, M16, M17) | | | |
| 241 | 0121P00194BL | SCREEN DISCHARGE PAINTED | | | |
| 301 | CAP020350450CS | 2/35 MFD/450V/DUAL RD CAP (M11, M12, M13, M14, M15, M16, M17) | | | |
| 301 | CAB050400440CT | CAP, 5/40 MFD/440V RD - BPRF (M1, M2, M3, M4, M5, M6, M7, M8, M9, M10) | | | |
| 701 | 0161P00140 | COVER WIRE | | | |
| 721 | 3P263839-1 | FERRITE CORE | | | |
| 801 | 0130M00727 | Transformer 40VA 240/208V (M3, M7, M10) | | | |
| 801 | 0130M00729 | TRANSFORMER 40VA 277V (M14, M17) | | | |
| NS | A3410402 | FUSE-15A - BLUE (M11) | | | |
| NS | A3410403 | FUSE-20A - ORANGE (M12, M13, M14) | | | |
| NS | A3410404 | FUSE-25A - GREEN (M15, M16, M17) | | | |
| NS | C6476001 | HOLDER-BAYONET FUSE - BLUE (M11) | | | |
| NS | C6476003 | HOLDER-BAYONET FUSE - GREEN (M15, M16, M17) | | | |
| NS | C6476002 | HOLDER-BAYONET FUSE - ORANGE (M12, M13, M14) | | | |
| NS | 0259P00043 | WIRE HARNESS KIT | | | |

Expanded Model Nomenclature

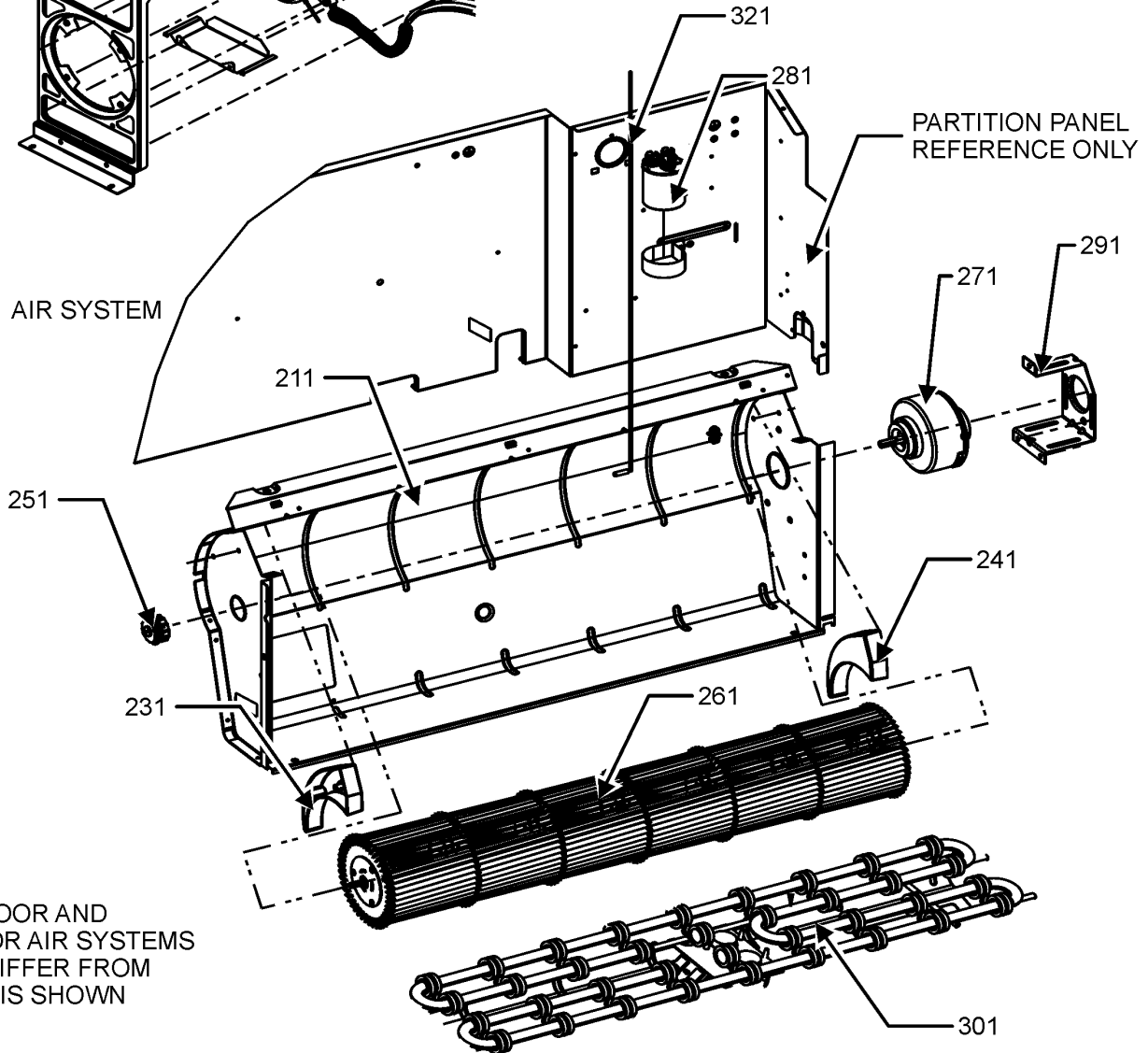
| |
|------------------------|
| M1 - PTH153J25A XXXAA |
| M2 - PTH153J25C XXXAA |
| M3 - PTH153J25V XXXAA |
| M4 - PTH153J35A XXXAA |
| M5 - PTH153J35C XXXAA |
| M6 - PTH153J35P XXXAA |
| M7 - PTH153J35V XXXAA |
| M8 - PTH153J50A XXXAA |
| M9 - PTH153J50C XXXAA |
| M10 - PTH153J50V XXXAA |
| M11 - PTH154J25A XXXAA |
| M12 - PTH154J35A XXXAA |
| M13 - PTH154J35C XXXAA |
| M14 - PTH154J35V XXXAA |
| M15 - PTH154J50A XXXAA |
| M16 - PTH154J50C XXXAA |
| M17 - PTH154J50V XXXAA |

OUTDOOR AND INDOOR AIR SYSTEM

OUTDOOR AIR SYSTEM



INDOOR AIR SYSTEM



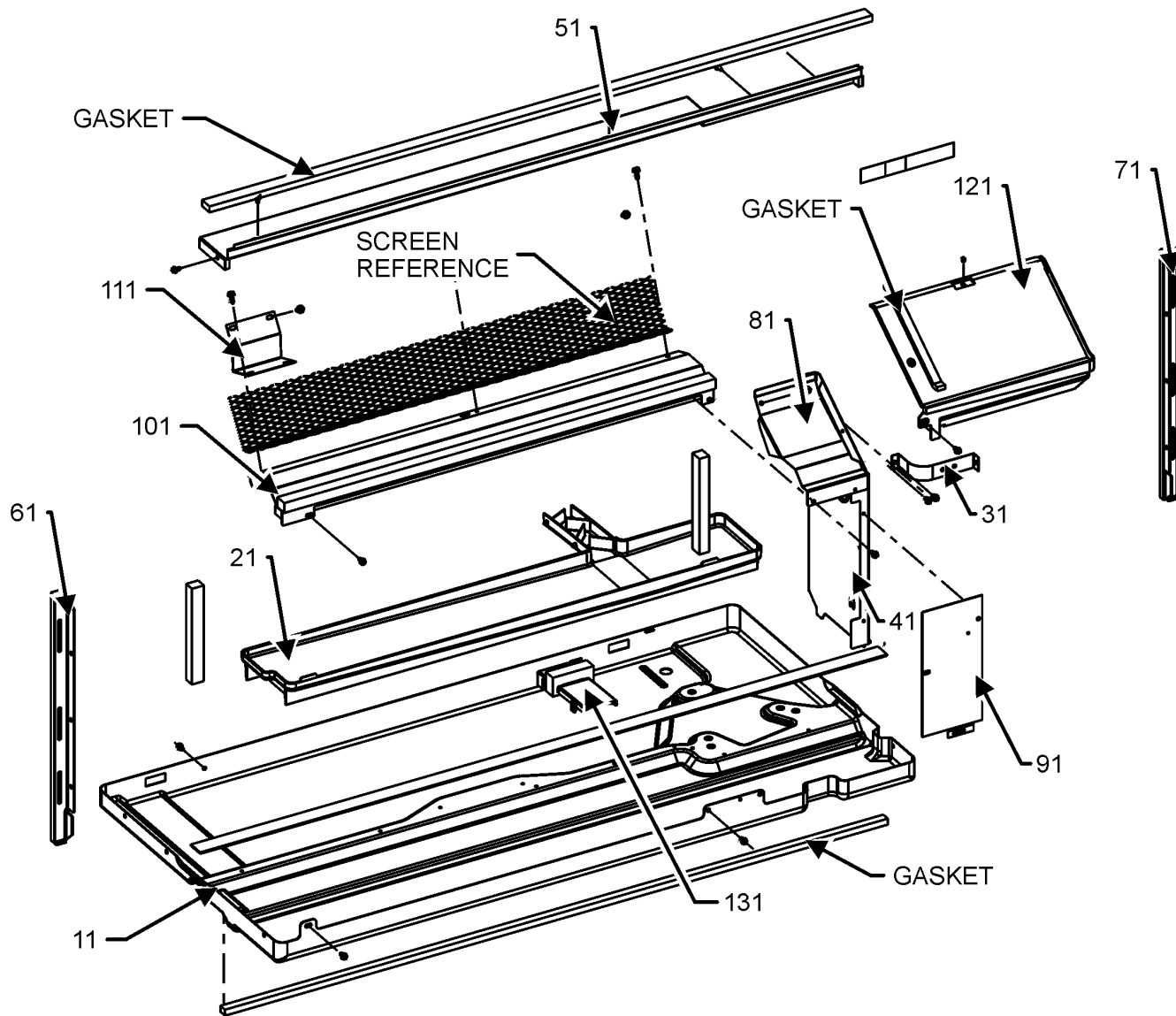
OUTDOOR AND
INDOOR AIR SYSTEMS
MAY DIFFER FROM
WHAT IS SHOWN

OUTDOOR AND INDOOR AIR SYSTEM

| Ref. Part No: | Part No: | Description: | Ref. Part No: | Part No: | Description: |
|-----------------|----------------|--|------------------------------------|----------|------------------|
| <i>Image 1:</i> | | | Expanded Model Nomenclature | | |
| 11 | 0261P00034 | ASY CONDENSER SHROUD | M1 | - | PTH153J25A XXXAA |
| 21 | 0131P00085 | OUTDOOR MOTOR, DC (M6) | M2 | - | PTH153J25C XXXAA |
| 21 | 0131P00063 | OUTDOOR MOTOR-PSC (M1, M2, M3, M4, M5, M7, M8, M9, M10) | M3 | - | PTH153J25V XXXAA |
| 21 | 0131P00064 | OUTDOOR MOTOR-PSC (M11, M12, M13, M14, M15, M16, M17) | M4 | - | PTH153J35A XXXAA |
| 41 | 0161P00055 | FAN CONDENSER | M5 | - | PTH153J35C XXXAA |
| 81 | 0121P00350NG | MOTOR BRACKET, SHROUD | M6 | - | PTH153J35P XXXAA |
| 211 | 0270P01642 | SCROLL ASSY | M7 | - | PTH153J35V XXXAA |
| 231 | 0161P00153 | PTAC END CAP LEFT | M8 | - | PTH153J50A XXXAA |
| 241 | 0161P00152 | END CAP RIGHT | M9 | - | PTH153J50C XXXAA |
| 251 | 0163P00027 | BEARING | M10 | - | PTH153J50V XXXAA |
| 261 | 0150P00005 | WHEEL BLOWER | M11 | - | PTH154J25A XXXAA |
| 271 | 0131P00061 | INDOOR MOTOR-PSC (M1, M2, M3, M4, M5, M6, M7, M8, M9, M10) | M12 | - | PTH154J35A XXXAA |
| 271 | 0131P00071 | INDOOR MOTOR-PSC (M11, M12, M13, M14, M15, M16, M17) | M13 | - | PTH154J35C XXXAA |
| 281 | CAP015000500RP | CAPACITOR (M11, M12, M13, M14, M15, M16, M17) | M14 | - | PTH154J35V XXXAA |
| 281 | CAP020000440RP | CAPACITOR (M1, M2, M3, M4, M5, M6, M7, M8, M9, M10) | M15 | - | PTH154J50A XXXAA |
| 291 | 0121P00048 | BRACKET MOTOR MOUNT | M16 | - | PTH154J50C XXXAA |
| 301 | 0275P00087 | Heater 230 v -3.5 KW (M4, M5, M6, M7) | M17 | - | PTH154J50V XXXAA |
| 301 | 0275P00089 | Heater 230 v -5 KW (M8, M9, M10) | | | |
| 301 | 0275P00088 | Heater 265 v -3.5 KW (M12, M13, M14) | | | |
| 301 | 0275P00090 | Heater 265 v -5 KW (M15, M16, M17) | | | |
| 301 | 0275P00019 | HEATER ASSY (M1, M2, M3) | | | |
| 301 | 0275P00023 | HEATER ASSY (M11) | | | |
| 321 | 0130P00167 | THERMISTOR INDOOR | | | |
| NS | 0163P00029 | CAPACITOR CLAMP | | | |
| NS | 0130P00177 | CORD, 250 VAC, 20A (LCDI) (M4, M5, M6, M7) | | | |
| NS | 0130P00184 | CORD, 250VAC, 15A, (LCDI) (M1, M2, M3) | | | |
| NS | 0130P00178 | CORD, 277V, 20A (M11, M12, M13, M14) | | | |
| NS | 0130P00186 | CORD, 277V, 30A (M15, M16, M17) | | | |
| NS | 0130P00185 | CORD, 250VAC, 30A (LCDI) (M8, M9, M10) | | | |
| NS | 0121P00378 | SHIELD ANGLED MOTOR (M1, M2, M3, M4, M5, M7, M8, M9, M10, M11, M12, M13, M14, M15, M16, M17) | | | |
| NS | 0163P00052 | THERMISTOR CLAMP | | | |

BASE PAN ASSEMBLY

BASE PAN ASSEMBLY



BASE PAN ASSEMBLY MAY DIFFER FROM WHAT IS SHOWN

BASE PAN ASSEMBLY

| Ref. Part No: | Ref. Part No: | Description: | Description: |
|---------------|---------------|--------------|--------------|
|---------------|---------------|--------------|--------------|

Image 1:

| | | |
|-----|--------------|---|
| 11 | 0121P00284DG | BASE PAN PAINTED (M1, M3, M4, M6, M7, M8, M10, M11, M12, M14, M15, M17) |
| 11 | 0121P00284NG | BASE PAN PAINTED (M2, M5, M9, M13, M16) |
| 21 | 0161P00154 | PLASTIC- DRAIN PAN |
| 31 | C6300502 | STAP CAP CO PTC (M11, M12, M13, M14, M15, M16, M17) |
| 31 | 0121P00282 | STRAP-CAPACITOR (M1, M2, M3, M4, M5, M6, M7, M8, M9, M10) |
| 41 | 0121P00432 | PANEL MID PRT |
| 51 | 0121P00376NG | PANEL, TOP PARTITION, PAINTED |
| 61 | 0121P00379 | SEAL L SIDE PTC |
| 71 | 0121P00380 | SEAL R SIDE PTC |
| 81 | 0121P00371DG | PAINTED COVER MOTOR |
| 91 | 0121P00374 | COVER ACCESS |
| 101 | 0121P00377DG | CUTOFF SCROLL DG |
| 111 | 0121P00233 | LEFT SIDE SCRILL BLOCKOFF |
| 121 | 0161P00142 | SPLASH GUARD |
| 131 | 0161P00147 | COVER DRAIN PAN |

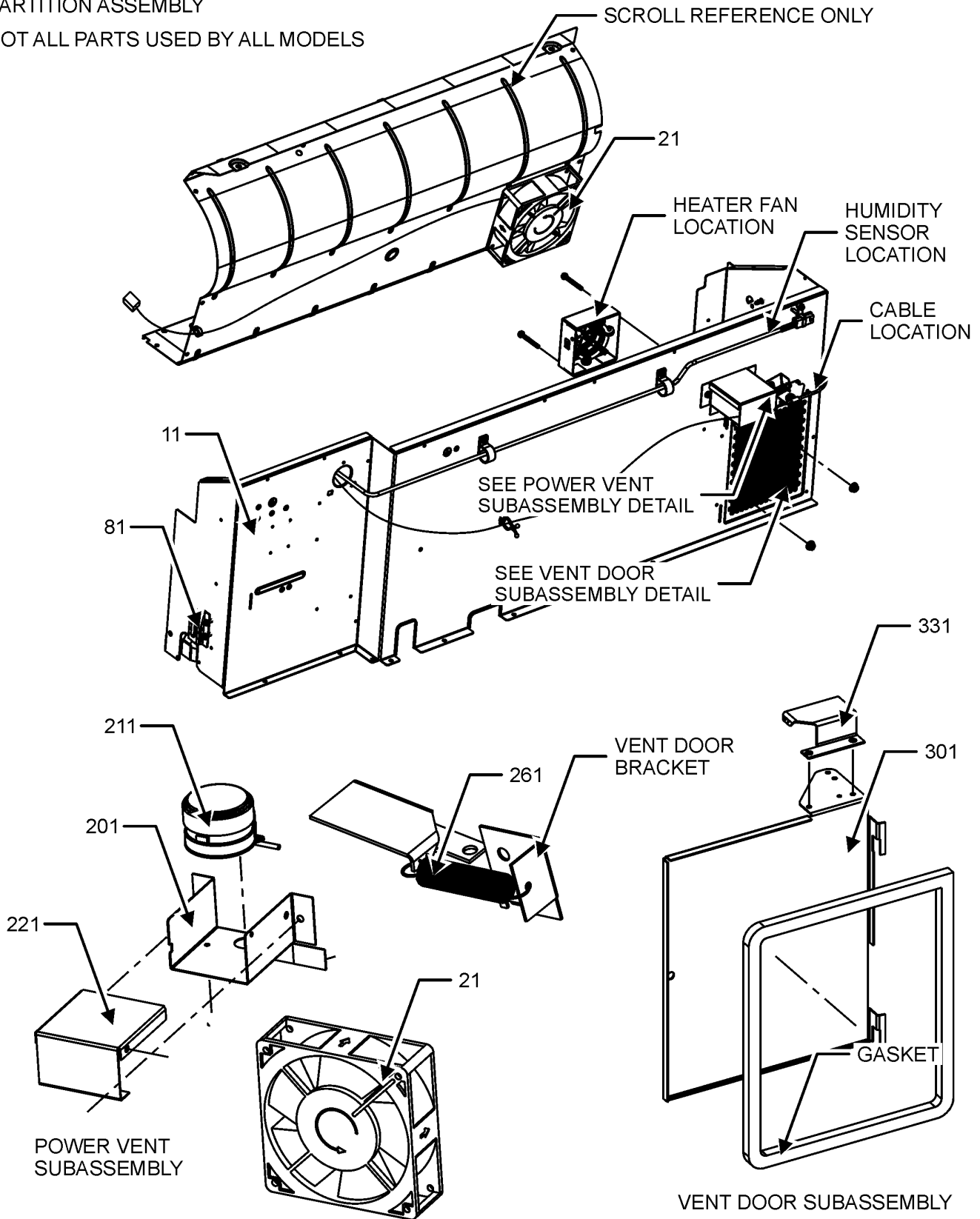
Expanded Model Nomenclature

| |
|-----------------------|
| M1 - PTH153J25AXXXAA |
| M2 - PTH153J25CXXXAA |
| M3 - PTH153J25VXXXAA |
| M4 - PTH153J35AXXXAA |
| M5 - PTH153J35CXXXAA |
| M6 - PTH153J35PXXXAA |
| M7 - PTH153J35VXXXAA |
| M8 - PTH153J50AXXXAA |
| M9 - PTH153J50CXXXAA |
| M10 - PTH153J50VXXXAA |
| M11 - PTH154J25AXXXAA |
| M12 - PTH154J35AXXXAA |
| M13 - PTH154J35CXXXAA |
| M14 - PTH154J35VXXXAA |
| M15 - PTH154J50AXXXAA |
| M16 - PTH154J50CXXXAA |
| M17 - PTH154J50VXXXAA |

PARTITION ASSEMBLY

PARTITION ASSEMBLY

NOT ALL PARTS USED BY ALL MODELS



PARTITION ASSEMBLY MAY DIFFER FROM WHAT IS SHOWN

PARTITION ASSEMBLY

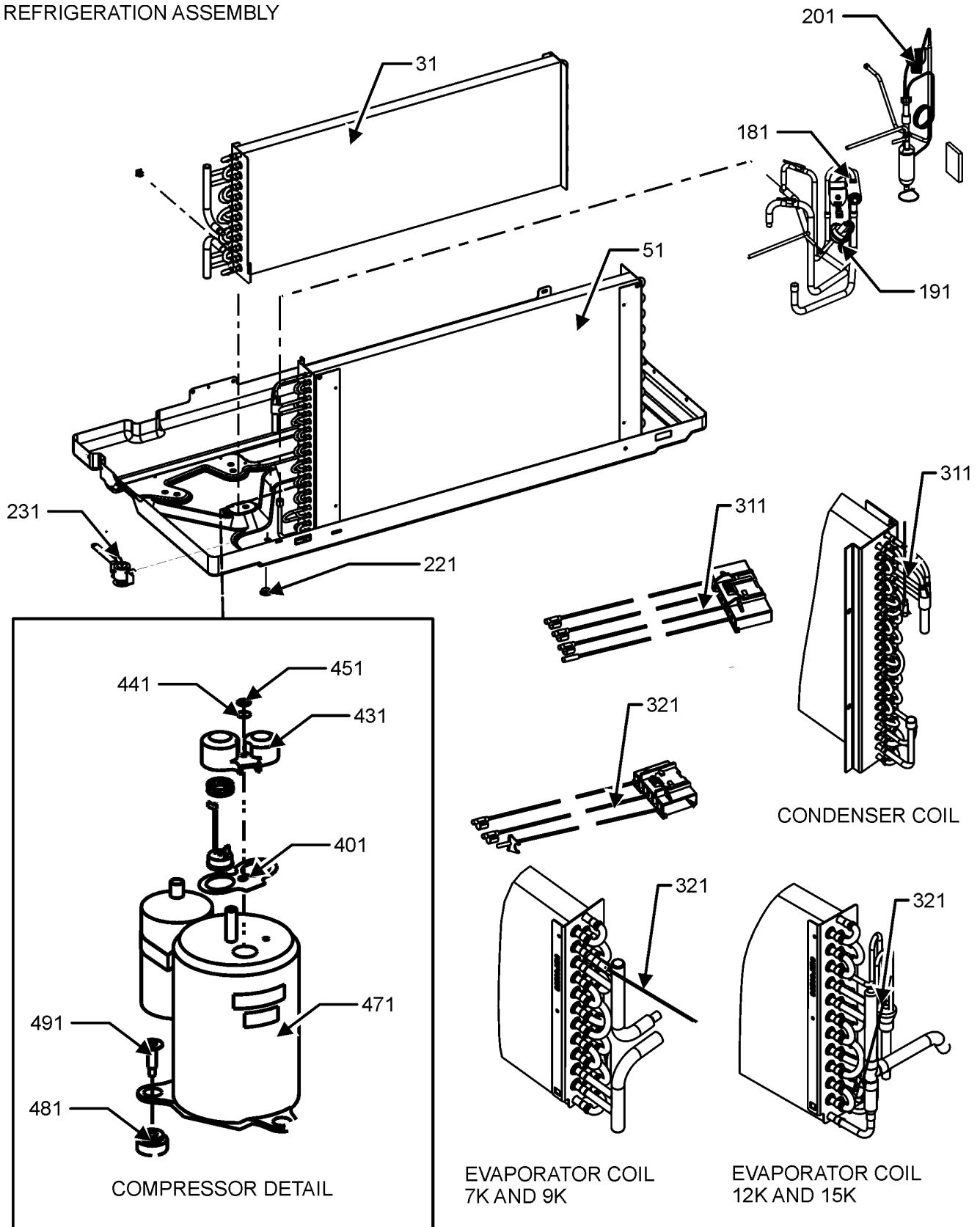
| Ref. Part No: | No: | Description: | Ref. Part No: | No: | Description: |
|-----------------|--------------|--|---------------|-----|--------------|
| Image 1: | | | | | |
| 11 | 0121P00360 | PANEL PARTITION (M1, M3, M4, M6, M7, M8, M10, M11, M12, M14, M15, M17) | | | |
| 21 | 0131P00081 | FAN MUFFIN (M3, M7, M10, M14, M17) | | | |
| 81 | 11191703 | BRKT-PART PAN (QTY 2) | | | |
| 201 | 11166101 | BRKT-MOTOR PTC (M3, M7, M10, M14, M17) | | | |
| 211 | 0130P00137 | MOTOR (M3, M7, M10, M14, M17) | | | |
| 221 | 11166201 | BRKT-COVER PTC (M3, M7, M10, M14, M17) | | | |
| 261 | 11166401 | SPRING-EXTENSION (M3, M7, M10, M14, M17) | | | |
| 301 | 0121P00177NG | DOOR PNT VENT PTC | | | |
| 331 | 0121P00180 | BRKT POWER VENT (M3, M7, M10, M14, M17) | | | |
| NS | 0121P00079 | BRACKET, VENT DOOR (M3, M7, M10, M14, M17) | | | |
| NS | 0121P00072NG | BRACKET, VENT DOOR-C (M1, M2, M4, M5, M6, M8, M9, M11, M12, M13, M15, M16) | | | |
| NS | 0163P00019 | CABLE (M1, M2, M4, M5, M6, M8, M9, M11, M12, M13, M15, M16) | | | |
| NS | 0130P00187 | HUMIDITY SENSOR (M3, M7, M10, M14, M17) | | | |
| NS | 11046302 | LEVER ARM PTC (M1, M2, M4, M5, M6, M8, M9, M11, M12, M13, M15, M16) | | | |
| NS | 0259P00039 | WIRE HARNESS (M3, M7, M10, M14, M17) | | | |

Expanded Model Nomenclature

| |
|------------------------|
| M1 - PTH153J25A XXXAA |
| M2 - PTH153J25C XXXAA |
| M3 - PTH153J25V XXXAA |
| M4 - PTH153J35A XXXAA |
| M5 - PTH153J35C XXXAA |
| M6 - PTH153J35P XXXAA |
| M7 - PTH153J35V XXXAA |
| M8 - PTH153J50A XXXAA |
| M9 - PTH153J50C XXXAA |
| M10 - PTH153J50V XXXAA |
| M11 - PTH154J25A XXXAA |
| M12 - PTH154J35A XXXAA |
| M13 - PTH154J35C XXXAA |
| M14 - PTH154J35V XXXAA |
| M15 - PTH154J50A XXXAA |
| M16 - PTH154J50C XXXAA |
| M17 - PTH154J50V XXXAA |

REFRIGERATION ASSEMBLY

REFRIGERATION ASSEMBLY



REFRIGERATION ASSEMBLY MAY DIFFER FROM WHAT IS SHOWN

REFRIGERATION ASSEMBLY

| Ref. Part No: | Ref. Part No: | Description: | Description: |
|-----------------|---------------|--|--------------|
| Image 1: | | | |
| 31 | 0202P00113 | 7MM EVAP ASSY 3 ROW | |
| 51 | 0201P00170MB | 7mm CONDENSOR COIL ASSY (M2, M5, M9, M13, M16) | |
| 51 | 0201P00158 | ASSY., 7MM CONDENSER COIL (M1, M3, M4, M6, M7, M8, M10, M11, M12, M14, M15, M17) | |
| 181 | 0151P00023 | PTAC REVERSING VLV ASSY (M1, M2, M3, M4, M5, M6, M7, M8, M9, M10) | |
| 181 | 0151P00024 | PTAC REVERSING VLV ASSY (M11, M12, M13, M14, M15, M16, M17) | |
| 191 | 0130M00735 | SWITCH HIGH PRESSURE | |
| 201 | 0210P00598 | ASSY., CAPILLARY WELDMENT (M1, M2, M3, M4, M5, M6, M7, M8, M9, M10) | |
| 201 | 0210P00624 | ASSY., CAPILLARY WELDMENT (M11, M12, M13, M14, M15, M16, M17) | |
| 221 | M0570805 | PLUG BUTTON (M6) | |
| 231 | 20406303 | VALVE-BASEPAN | |
| 311 | 0130P00173 | THERMISTOR OUTDOOR 7MM | |
| 321 | 0130P00167 | THERMISTOR INDOOR | |
| 401 | 60100107 | TERMINAL COVER GASKET | |
| 431 | 60100317 | TERMINAL COVER | |
| 441 | 60100201 | WASHER - RECHI COMPRESSOR | |
| 451 | 60100401 | TERMINAL NUT - RECHI COMP | |
| 471 | 50W3522M-9GLE | Compressor-R32 (M1, M2, M3, M4, M5, M6, M7, M8, M9, M10) | |
| 471 | 50W3572M-9GLE | Compressor-R32 (M11, M12, M13, M14, M15, M16, M17) | |
| 481 | 60140209 | GROMMET - RECHI COMPRESSOR (QTY 3) | |
| 491 | 0163P00044 | SCREW 1/4" - 20 UNC - 2A (QTY 3) | |
| NS | 0130P00022 | REVERSING VALVE COIL | |
| NS | 0151M00026 | VALVE, CHECK | |
| NS | 0259P00036 | WIRE HARNESS | |

Expanded Model Nomenclature

| |
|------------------------|
| M1 - PTH153J25A XXXAA |
| M2 - PTH153J25C XXXAA |
| M3 - PTH153J25V XXXAA |
| M4 - PTH153J35A XXXAA |
| M5 - PTH153J35C XXXAA |
| M6 - PTH153J35P XXXAA |
| M7 - PTH153J35V XXXAA |
| M8 - PTH153J50A XXXAA |
| M9 - PTH153J50C XXXAA |
| M10 - PTH153J50V XXXAA |
| M11 - PTH154J25A XXXAA |
| M12 - PTH154J35A XXXAA |
| M13 - PTH154J35C XXXAA |
| M14 - PTH154J35V XXXAA |
| M15 - PTH154J50A XXXAA |
| M16 - PTH154J50C XXXAA |
| M17 - PTH154J50V XXXAA |