

PTH154G Package Terminal Heat Pump

PTH154G50AXXXBA

PTH154G50RXXXBA



Amana® is a registered trademark of Maytag Corporation or its related companies and is used under license. All rights reserved.

This manual is to be used by qualified technicians only.

This manual replaces RP-863.

© 2015-2016 Goodman Company, L.P. ♦ 5151 San Felipe St., Suite 500 ♦ Houston, TX 77056

Important Information

Index

Functional Parts List	3
Illustration and Parts	4 - 13

Views shown are for parts illustrations only, not servicing procedures

Text Codes:

AR - As Required

NA - Not Available

NS - Not Shown

00000000 - See Note

QTY - Quantity Example (QTY 3) (If Quantity not shown, Quantity = 1)

M - Model Example (M1) (If M Code not shown, then part is used on all Models)

Expanded Model Nomenclature:

Example M1 - Model#1 M2 - Model#2 M3 - Model#3

Goodman Company, L.P. is not responsible for personal injury or property damage resulting from improper service. Review all service information before beginning repairs.

Warranty service must be performed by an authorized technician, using authorized factory parts. If service is required after the warranty expires, Goodman Company, L.P. also recommends contacting an authorized technician and using authorized factory parts.

Goodman Company, L.P. reserves the right to discontinue, or change at any time, specifications or designs without notice or without incurring obligations.

For assistance within the U.S.A. contact:

Consumer Affairs Department

Goodman Company, L.P.

7401 Security Way

Houston, Texas 77040

877-254-4729-Telephone

713-863-2382-Facsimile

For assistance outside the U.S.A. contact:

International Division

Goodman Company, L.P.

7401 Security Way

Houston, Texas 77040

713-861-2500-Telephone

713-863-2382-Facsimile

Functional Parts

Part

No: **Description:**

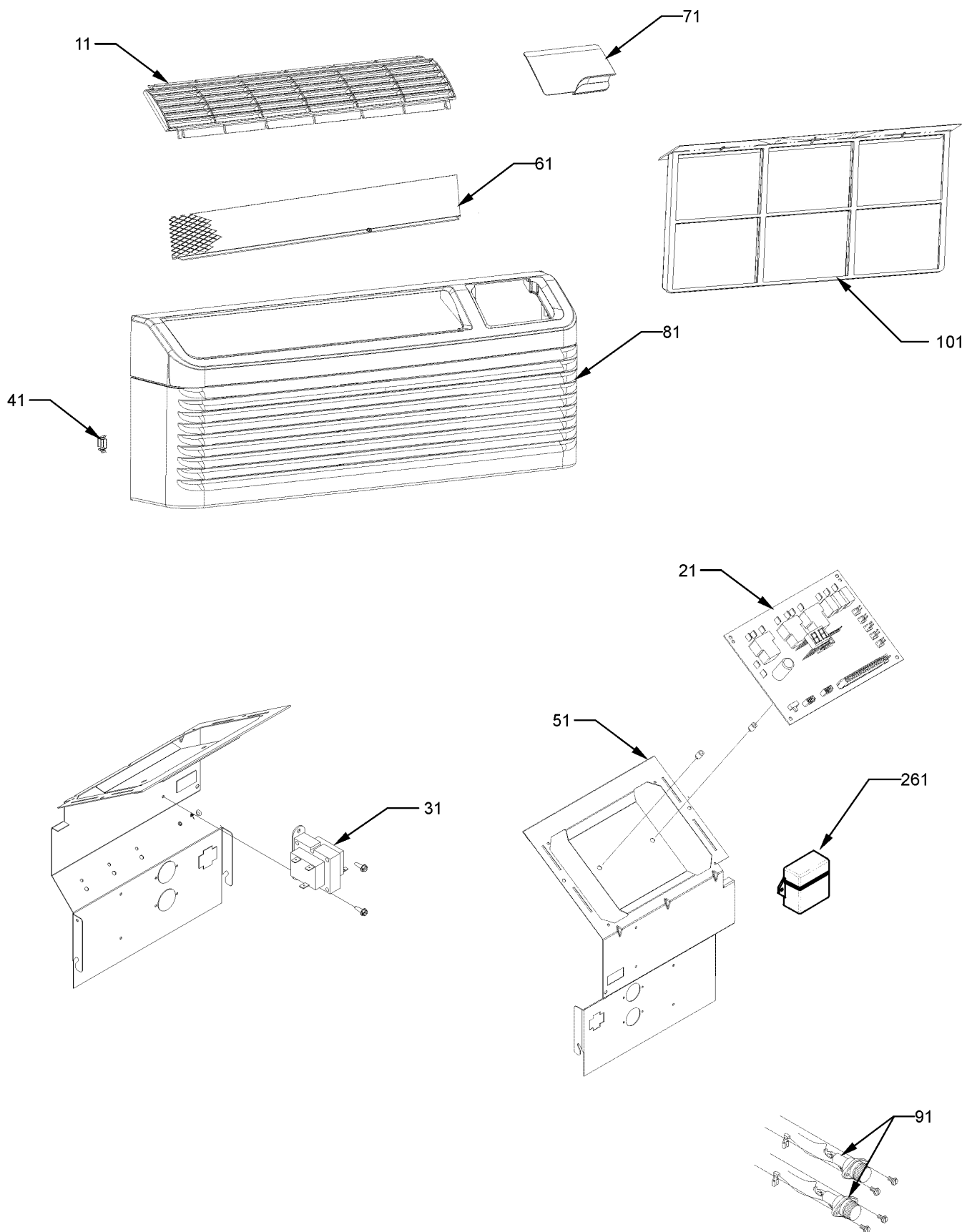
20406303	BASE PAN VALVE
CAP015000500RP	CAPACITOR
CAP020250450CS	CAPACITOR 2/25/450V/DUAL RD
50A367Q	COMPRESSOR, RECHI
RSKP0012	CONTROL BOARD M70
RSKP0015	CONTROL PANEL COVER AND MEMBRANE
0130P00129	CORD, 277V, 30A
0131P00038	FAN MOTOR, INDOOR
0131P00026	FAN MOTOR, OUTDOOR
0161P00030	FAN, CONDENSER
A3410404	FUSE 25A
0275P00041	HEATER ASSY
60343525	OVERLOAD PROTECTOR
0151P00001	REVERSING VALVE ASSY-265V
0130P00022	REVERSING VALVE COIL
0130M00169	SWITCH, HIGH PRESS
802007090	TERMINAL BOARD
0130P00093	THERMISTOR
0130P00074	THERMISTOR
0130P00134	THERMISTOR - DISCHARGE
0130P00077	THERMISTOR - INDOOR (M2)
0130P00086	THERMISTOR - INDOOR COIL
0130P00098	THERMISTOR - OUTDOOR AMBIENT (M2)
0130M00152	TRANSFORMER
0150P00004	WHEEL, BLOWER

Expanded Model Nomenclature

M1 - PTH154G50AXXXBA

M2 - PTH154G50RXXBA

Control Panel / Front Assembly



Control Panel / Front Assembly

Ref. Part No: No:	Description:	Ref. Part No: No:	Description:
-------------------	--------------	-------------------	--------------

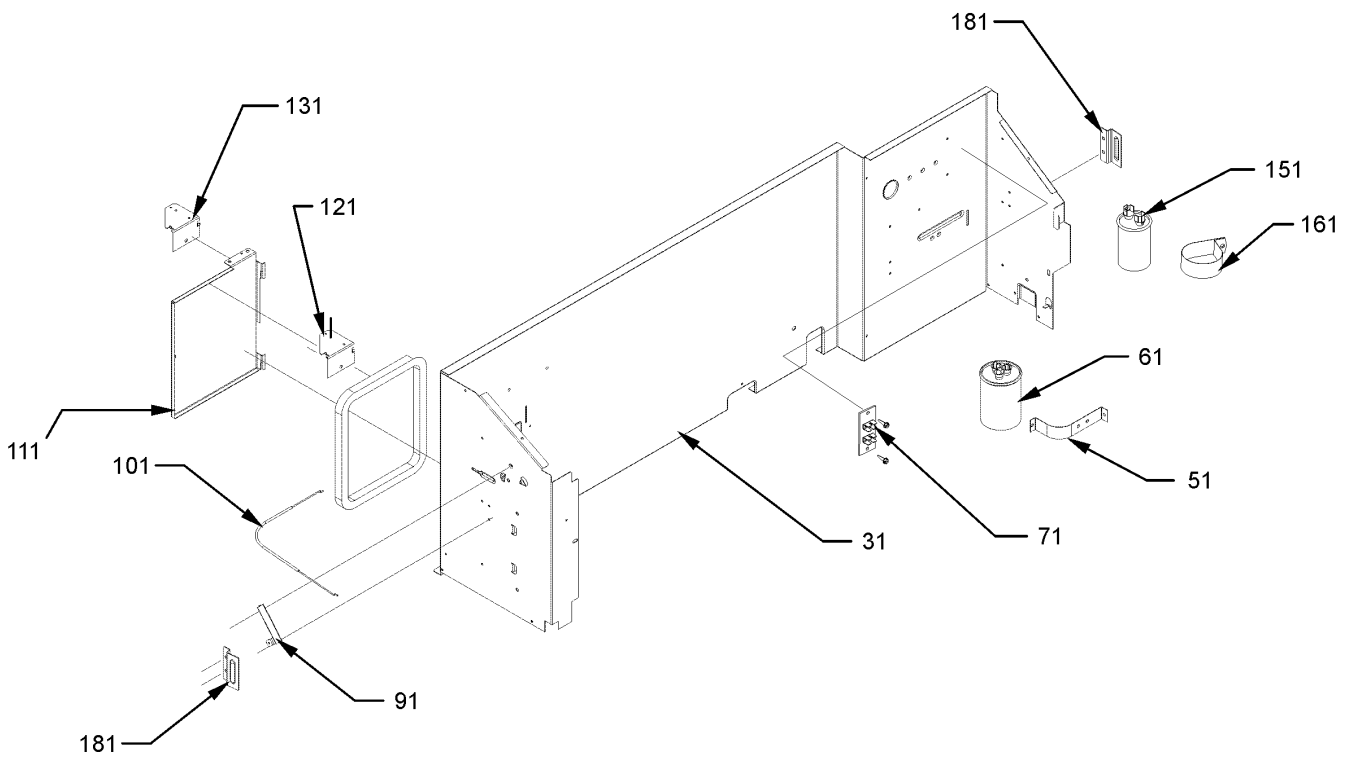
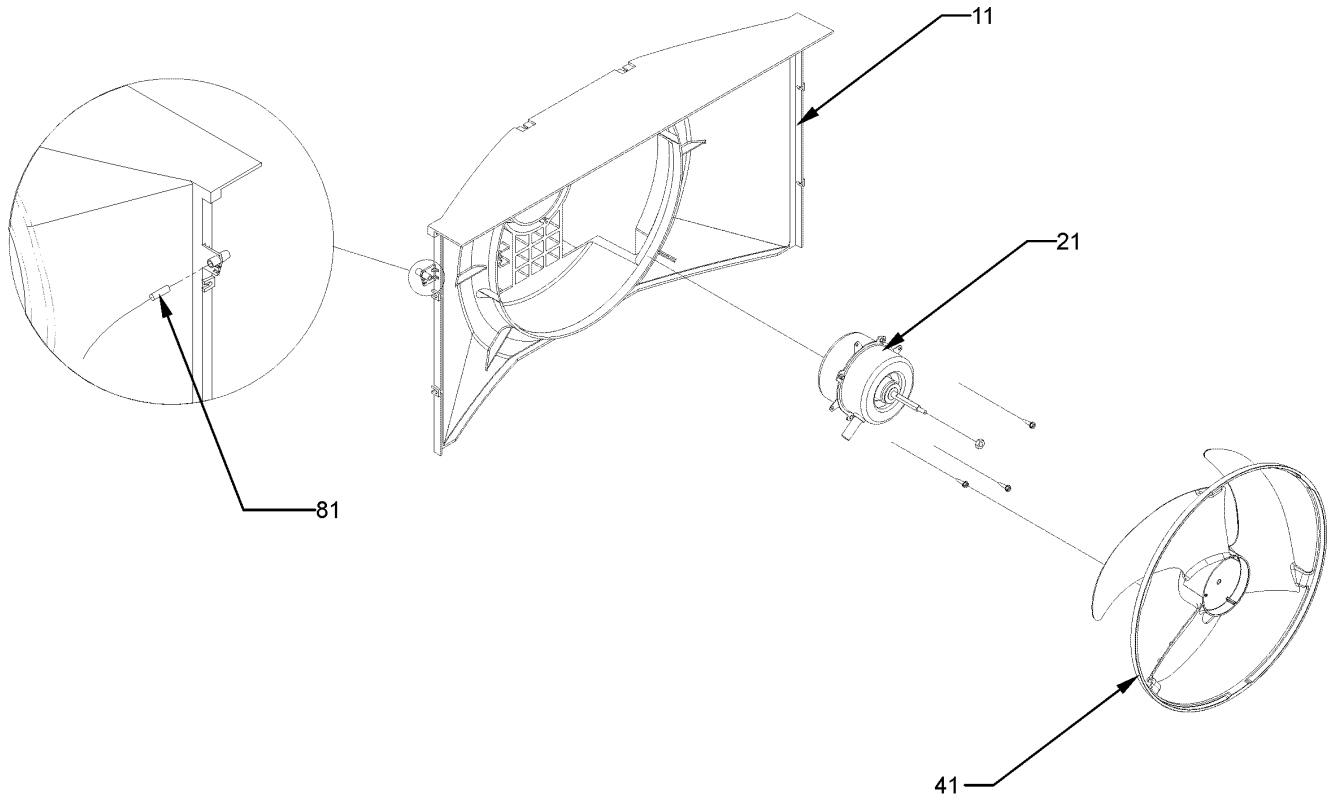
Image 1:

11	0161P00048	FRONT, LOUVERS DISCHARGE
21	RSKP0012	CONTROL BOARD M70
31	0130M00152	TRANSFORMER
41	0163P00025	CLIP (QTY 2)
51	0121P00130	PANEL, CONTROL
61	0121P00073	SCREEN, DISCHARGE
71	0261P00003	DOOR ASSY -AMANA-
81	0261P00011	FRONT ASSY
91	C6476003	BAYONET FUSE HOLDER
101	0161P00035	FILTER, RACK (QTY 2)
261	0130P00104	ANTENNA (DIGITENNA) (M2)
NS	A3410404	FUSE 25A

Expanded Model Nomenclature

M1 - PTH154G50AXXXBA
M2 - PTH154G50RXXXBA

Condenser Fan / Partition Assembly



Condenser Fan / Partition Assembly

Ref. Part No:	No:	Description:	Ref. Part No:	No:	Description:
---------------	-----	--------------	---------------	-----	--------------

Image 1:

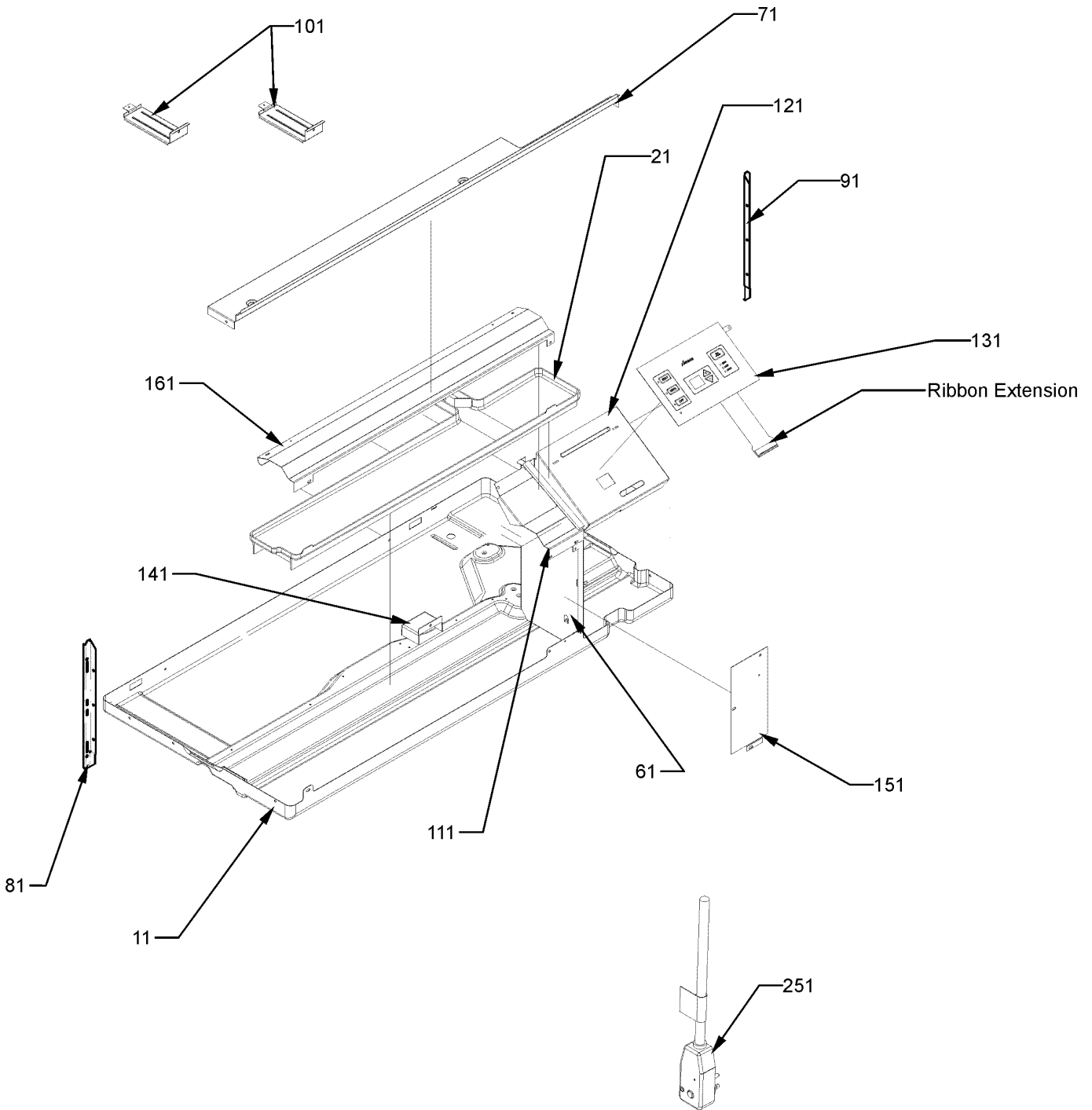
11	0161P00026	SHROUD, CONDENSER			
21	0131P00026	FAN MOTOR, OUTDOOR			
31	0121P00108	PANEL-PARTITION			
41	0161P00030	FAN, CONDENSER			
51	C6300502	CAPACITOR STRAP			
61	CAP020250450CS	CAPACITOR 2/25/450V/DUAL RD			
71	802007090	TERMINAL BOARD			
81	0130P00098	THERMISTOR - OUTDOOR AMBIENT (M2)			
91	11046302	LEVER ARM			
101	0163P00019	CABLE			
111	11046105	VENT DOOR			
131	0121P00072	BRACKET, VENT DOOR-C (QTY 2)			
151	CAP015000500RP	CAPACITOR			
161	0163P00029	CAPACITOR CLAMP			
181	11191703	PARTITION PANEL BRACKET (QTY 2)			

Expanded Model Nomenclature

M1 - PTH154G50AXXXBA

M2 - PTH154G50RXXBA

Partition Assembly



Partition Assembly

Ref. Part No:	No:	Description:	Ref. Part No:	No:	Description:
---------------	-----	--------------	---------------	-----	--------------

Image 1:

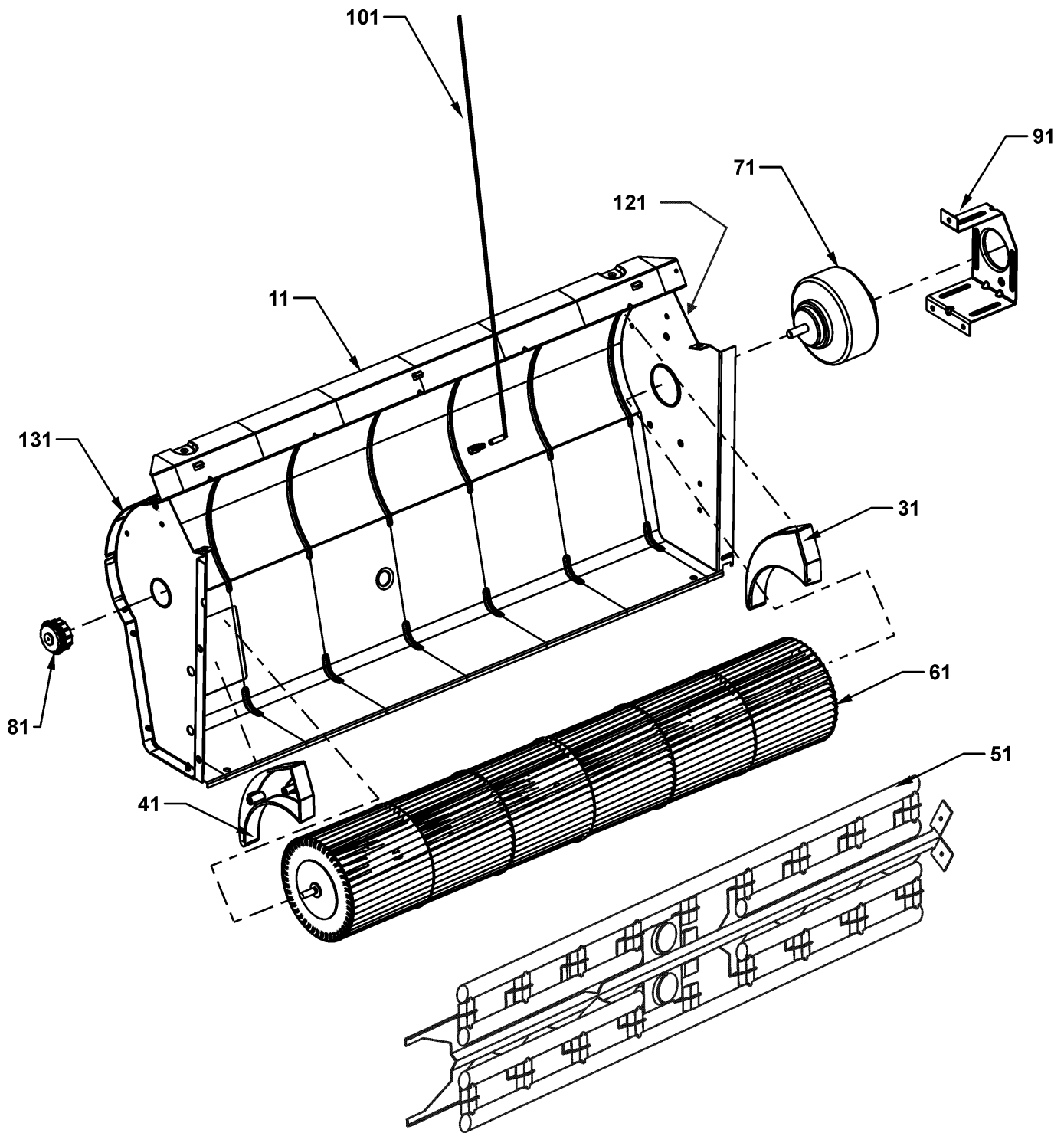
11	0121P00133DG	BASEPAN			
21	0161P00044	PLASTIC-DRAIN PAN			
61	20403301	MID PARTITION PANEL			
71	0121P00063	TOP, PARTITION PANEL			
81	20416201	SEAL-L SIDE PTC			
91	20416101	SEAL-R SIDE PTC			
101	0121P00071	BRACE, TIE (QTY 2)			
111	0121P00070DG	COVER, MOTOR			
121	0121P00129	COVER-CONTROL PANEL			
131	RSKP0015	CONTROL PANEL COVER AND MEMBRANE			
141	0161P00016	PLASTIC-HOOD			
151	20410801	ACCESS COVER			
161	0121P00061DG	CUTOFF-SCROLL DG			
251	0130P00129	CORD, 277V, 30A			
NS	0130P00109	MEMBRANE (CONTROL)			

Expanded Model Nomenclature

M1 - PTH154G50AXXXBA

M2 - PTH154G50RXXBA

Evaporator Blower / Heater Assembly



Evaporator Blower / Heater Assembly

Ref. Part No: No:	Description:	Ref. Part No: No:	Description:
-------------------	--------------	-------------------	--------------

Image 1:

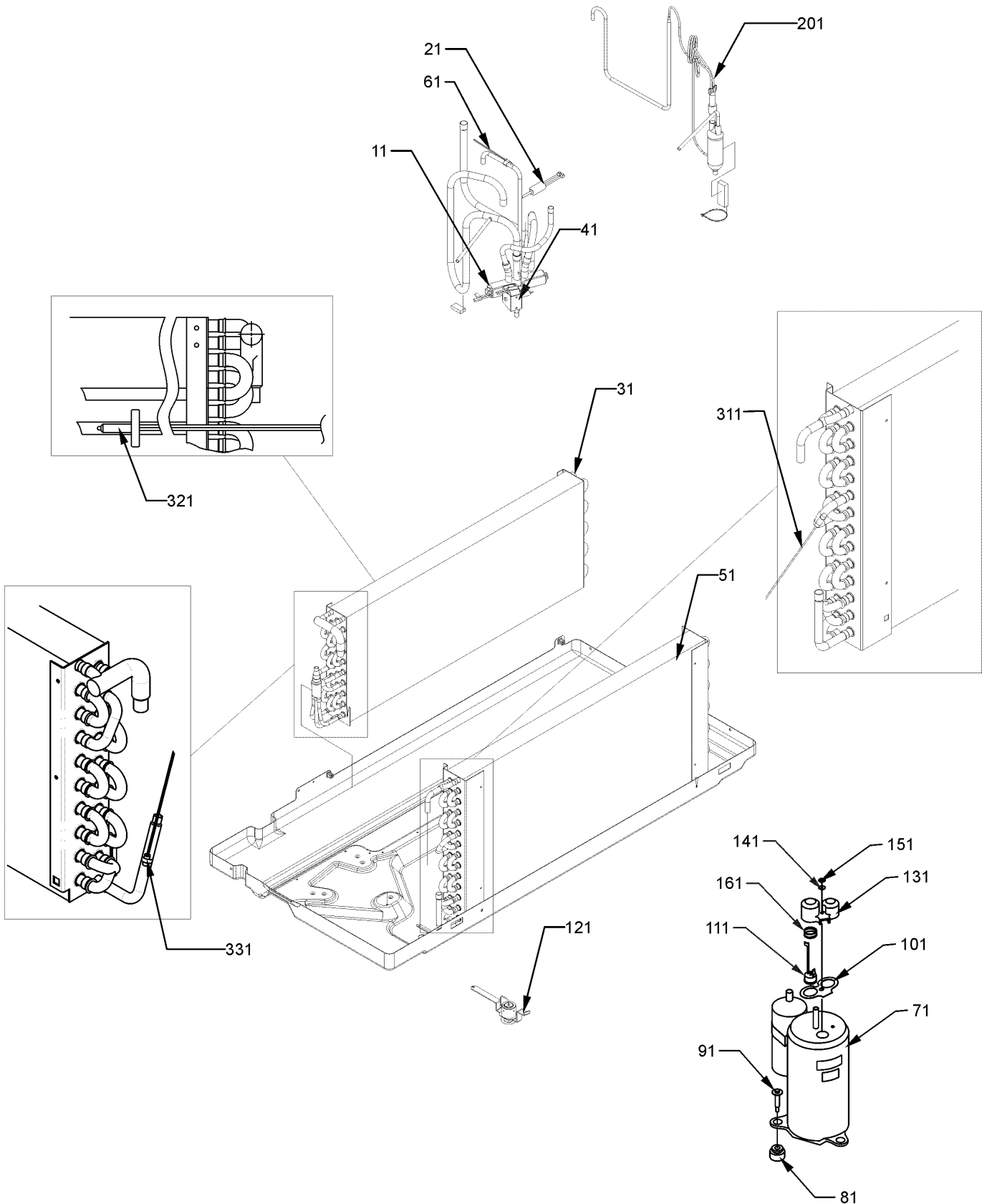
11	0121P00058DG	SCROLL
31	0161P00021	END CAP, RIGHT
41	0161P00022	END CAP, LEFT
51	0275P00041	HEATER ASSY
61	0150P00004	WHEEL, BLOWER
71	0131P00038	FAN MOTOR, INDOOR
81	0163P00027	BEARING
91	0121P00048	BRACKET-MOTOR MOUNT
101	0130P00134	THERMISTOR - DISCHARGE
121	0121P00059DG	ENDPLATE-RH SCROLL
131	0121P00088DG	ENDPLATE- LH SCROLL

Expanded Model Nomenclature

M1 - PTH154G50AXXXBA

M2 - PTH154G50RXXBA

Coil / Compressor / Tubing Assembly



Coil / Compressor / Tubing Assembly

Ref. Part No: No:	Description:	Ref. Part No: No:	Description:
-------------------	--------------	-------------------	--------------

Image 1:

11	0151P00001	REVERSING VALVE ASSY-265V
21	0130M00169	SWITCH, HIGH PRESS
31	0202P00065	EVAP ASSY, 5/16, 3 ROW
41	0130P00022	REVERSING VALVE COIL
51	0201P00079	CONDENSER ASSY
61	0130P00077	THERMISTOR - INDOOR (M2)
71	50A367Q	COMPRESSOR, RECHI
81	60140209	GROMMET - RECHI COMPRESSOR (QTY 3)
91	M0227803	SCREW-TC (QTY 3)
101	60100103	TERMINAL GASKET
111	60343525	OVERLOAD PROTECTOR
121	20406303	BASE PAN VALVE
131	60100314	TERMINAL COVER - RECHI COMP
141	60100201	WASHER - RECHI COMPRESSOR
151	60100401	TERMINAL NUT - RECHI COMP
161	60500101	OLP SPRING - RECHI COMPRESSOR
201	0210P00152	CAPILLARY WELDMENT
311	0130P00093	THERMISTOR
321	0130P00074	THERMISTOR
331	0130P00086	THERMISTOR - INDOOR COIL

Expanded Model Nomenclature

M1 - PTH154G50AXXXBA

M2 - PTH154G50RXXBA