

PTH154G Package Terminal Heat Pump

PTH154G25AXXXCA
PTH154G25CXXXCA
PTH154G25DRXXCA
PTH154G35AXXXCA
PTH154G35CXXXCA
PTH154G35QXXXCA
PTH154G50AXXXCA
PTH154G50VXXXCA



Amana[®] is a registered trademark of Maytag Corporation or its related companies and is used under license. All rights reserved.

This manual is to be used by qualified technicians only.

This manual replaces RP-A5007B.

© 2015 - 2017 Goodman Company, L.P. ♦ 5151 San Felipe St, Suite 500 ♦ Houston, TX 77056

Important Information

Index

Functional Parts List	3
Illustration and Parts	4 - 13

Views shown are for parts illustrations only, not servicing procedures

Text Codes:

AR - As Required

NA - Not Available

NS - Not Shown

00000000 - See Note

QTY - Quantity Example (QTY 3) (If Quantity not shown, Quantity = 1)

M - Model Example (M1) (If M Code not shown, then part is used on all Models)

Expanded Model Nomenclature:

Example M1 - Model#1 M2 - Model#2 M3 - Model#3

Goodman Company, L.P. is not responsible for personal injury or property damage resulting from improper service. Review all service information before beginning repairs.

Warranty service must be performed by an authorized technician, using authorized factory parts. If service is required after the warranty expires, Goodman Company, L.P. also recommends contacting an authorized technician and using authorized factory parts.

Goodman Company, L.P. reserves the right to discontinue, or change at any time, specifications or designs without notice or without incurring obligations.

For assistance within the U.S.A. contact:

Homeowner Support
Goodman Company, L.P.
19001 Kermier Road
Waller, Texas 77484
877-254-4729-Telephone
713-863-2382-Facsimile

For assistance outside the U.S.A. contact:

International Division
Goodman Company, L.P.
19001 Kermier Road
Waller, Texas 77484
713-861-2500-Telephone
713-863-2382-Facsimile

Functional Parts

Part

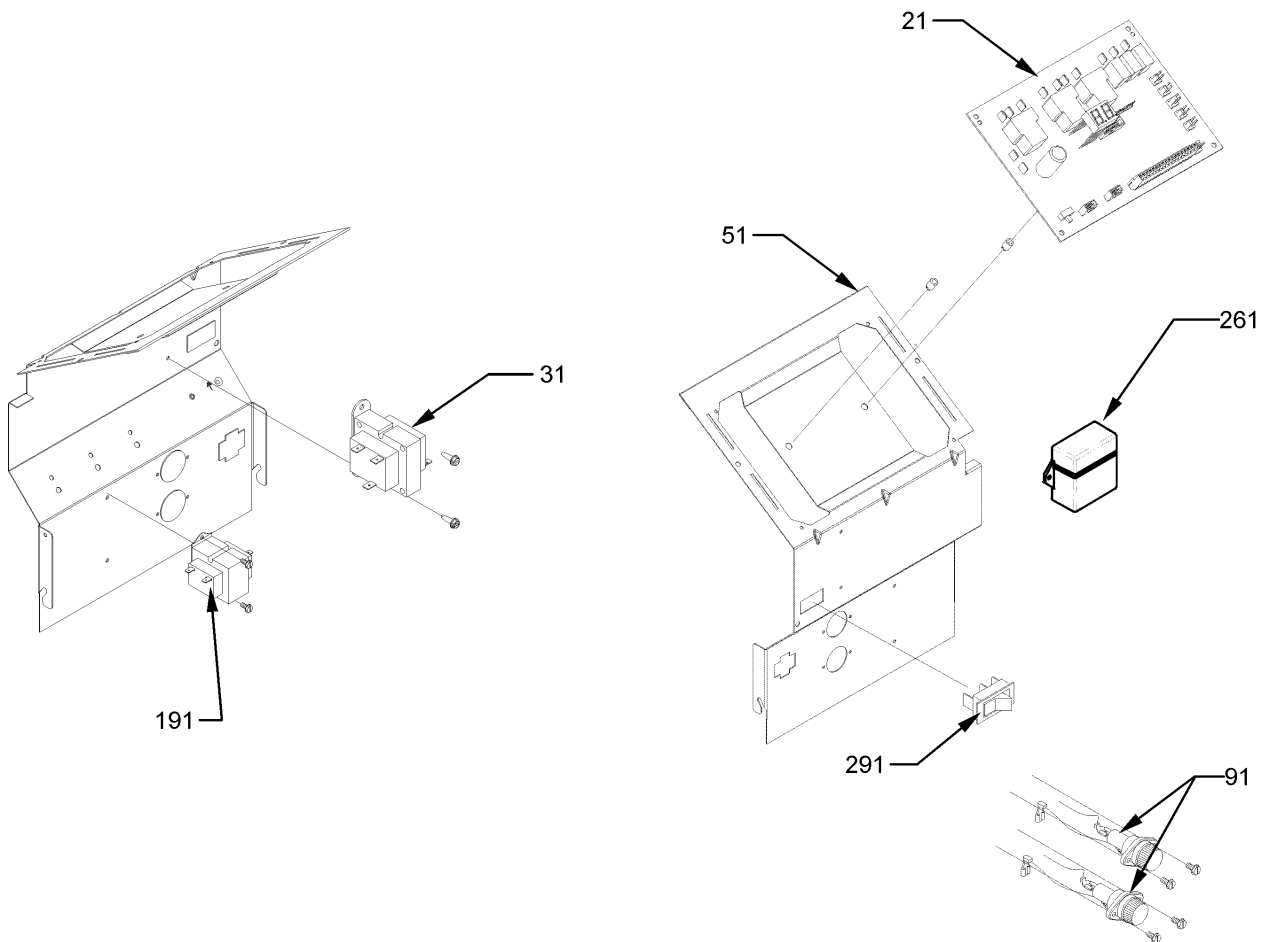
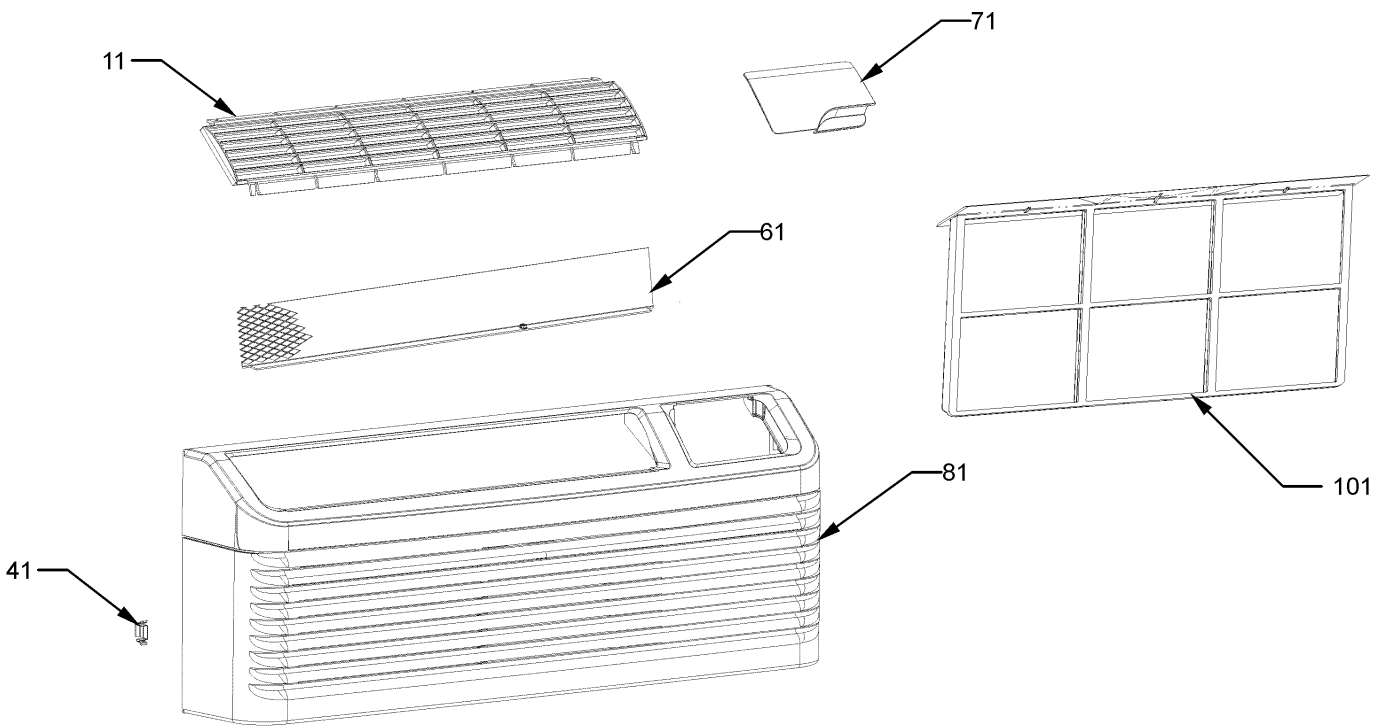
No: Description:

20406303	BASE PAN VALVE
CAP015000500RP	CAPACITOR
CAP020250450CS	CAPACITOR 2/25/450V/DUAL RD
RSKP0012	CONTROL BOARD M70
RSKP0015	CONTROL PANEL COVER AND MEMBRANE
0130P00128	CORD, 277V, 20A (M1, M2, M3, M4, M5, M6)
0130P00129	CORD, 277V, 30A (M7, M8)
0131P00038	FAN MOTOR, INDOOR
0131P00026	FAN MOTOR, OUTDOOR
0161P00055	FAN, CONDENSER
A3410402	FUSE 15A (M1, M2, M3)
A3410403	FUSE 20A (M4, M5, M6)
A3410404	FUSE 25A (M7, M8)
0275P00023	HEATER ASSY (M1, M2, M3)
0275P00040	HEATER ASSY (M4, M5, M6)
0275P00041	HEATER ASSY (M7, M8)
0130P00137	MOTOR (M3, M8)
60343525	OVERLOAD PROTECTOR
PCBCP140	PCB, CONTROL, D70 (M3, M8)
0151P00005	PTAC REVERSING VALVE ASSY
50A367Q	RECHI COMPRESSOR
0130P00022	REVERSING VALVE COIL
0130M00169	SWITCH, HIGH PRESS
802007090	TERMINAL BOARD
0130P00074	THERMISTOR
0130P00130	THERMISTOR
0130P00134	THERMISTOR - DISCHARGE
0130P00077	THERMISTOR - INDOOR (M3)
0130P00086	THERMISTOR - INDOOR COIL
0130P00098	THERMISTOR - OUTDOOR AMBIENT (M3)
0130M00329	TRANSFORMER 20VA 60HZ
0130M00151	TRANSFORMER 277V to 24V, 40VA (M3, M8)
0150P00004	WHEEL, BLOWER

Expanded Model Nomenclature

M1 - PTH154G25AXXXCA
M2 - PTH154G25CXXXCA
M3 - PTH154G25DRXXCA
M4 - PTH154G35AXXXCA
M5 - PTH154G35CXXXCA
M6 - PTH154G35QXXXCA
M7 - PTH154G50AXXXCA
M8 - PTH154G50VXXXCA

Control Panel / Front Assembly



Control Panel / Front Assembly

Ref. Part No: No:	Description:	Ref. Part No: No:	Description:
-------------------	--------------	-------------------	--------------

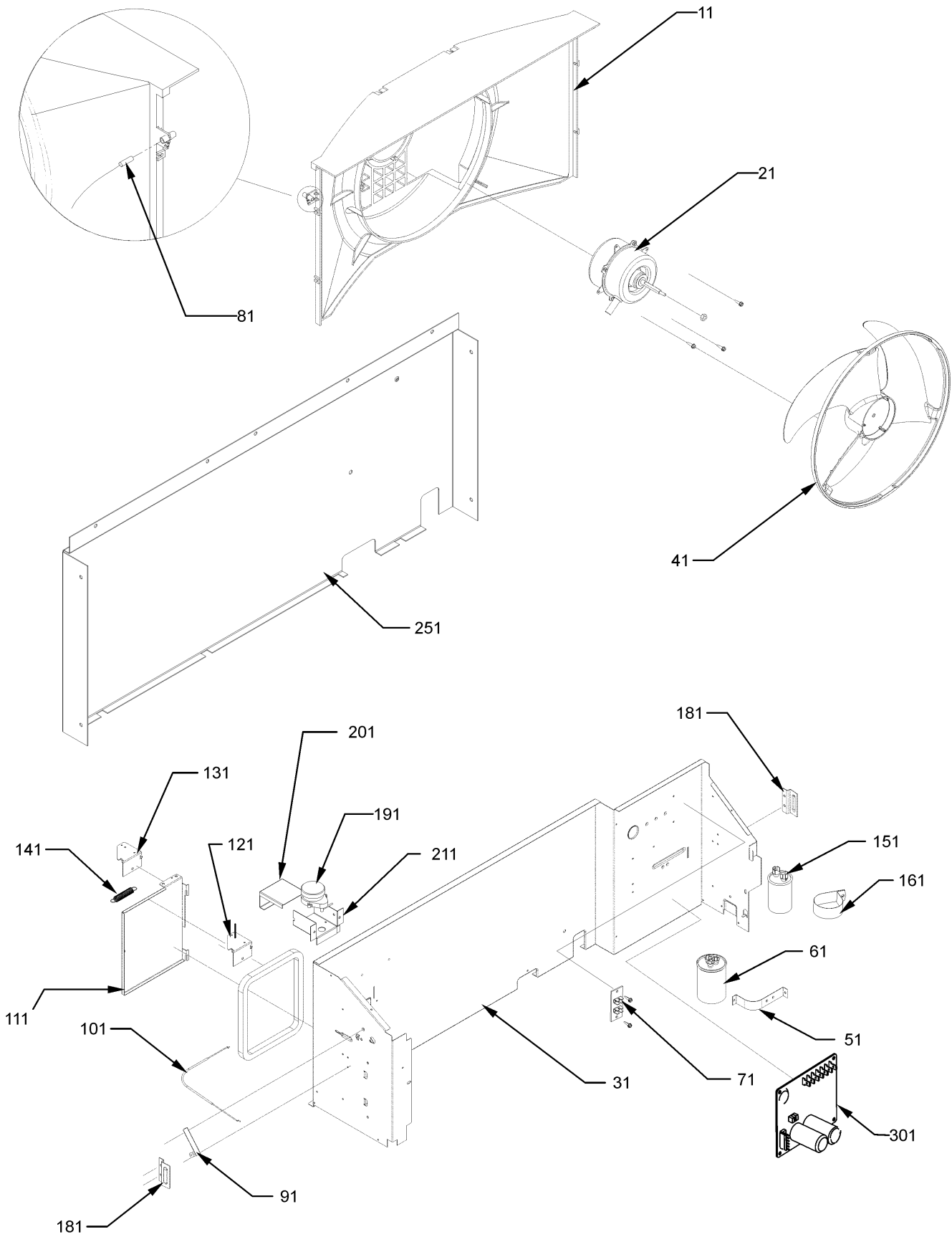
Image 1:

11	0161P00048	FRONT, LOUVERS DISCHARGE
21	RSKP0012	CONTROL BOARD M70
31	0130M00329	TRANSFORMER 20VA 60HZ
41	0163P00025	CLIP (QTY 2)
51	0121P00130	PANEL, CONTROL
61	0121P00073	SCREEN, DISCHARGE
71	0261P00003	DOOR ASSY -AMANA-
81	0261P00011	FRONT ASSY
91	C6476001	BAYONET FUSE HOLDER (M1, M2, M3)
91	C6476002	BAYONET FUSE HOLDER (M4, M5, M6)
91	C6476003	BAYONET FUSE HOLDER (M7, M8)
101	0161P00035	FILTER, RACK (QTY 2)
191	0130M00151	TRANSFORMER 277V to 24V, 40VA (M3, M8)
261	0130P00104	ANTENNA (DIGITENNA) (M3)
291	B1337701	PADDLE SWITCH (M3, M8)
NS	A3410402	FUSE 15A (M1, M2, M3)
NS	A3410403	FUSE 20A (M4, M5, M6)
NS	A3410404	FUSE 25A (M7, M8)
NS	PCBCP140	PCB, CONTROL, D70 (M3, M8)

Expanded Model Nomenclature

- M1 - PTH154G25AXXXCA
- M2 - PTH154G25CXXXCA
- M3 - PTH154G25DRXXCA
- M4 - PTH154G35AXXXCA
- M5 - PTH154G35CXXXCA
- M6 - PTH154G35QXXXCA
- M7 - PTH154G50AXXXCA
- M8 - PTH154G50VXXXCA

Condenser Fan / Partition Assembly



Condenser Fan / Partition Assembly

Ref. Part No: No:	Description:	Ref. Part No: No:	Description:
-------------------	--------------	-------------------	--------------

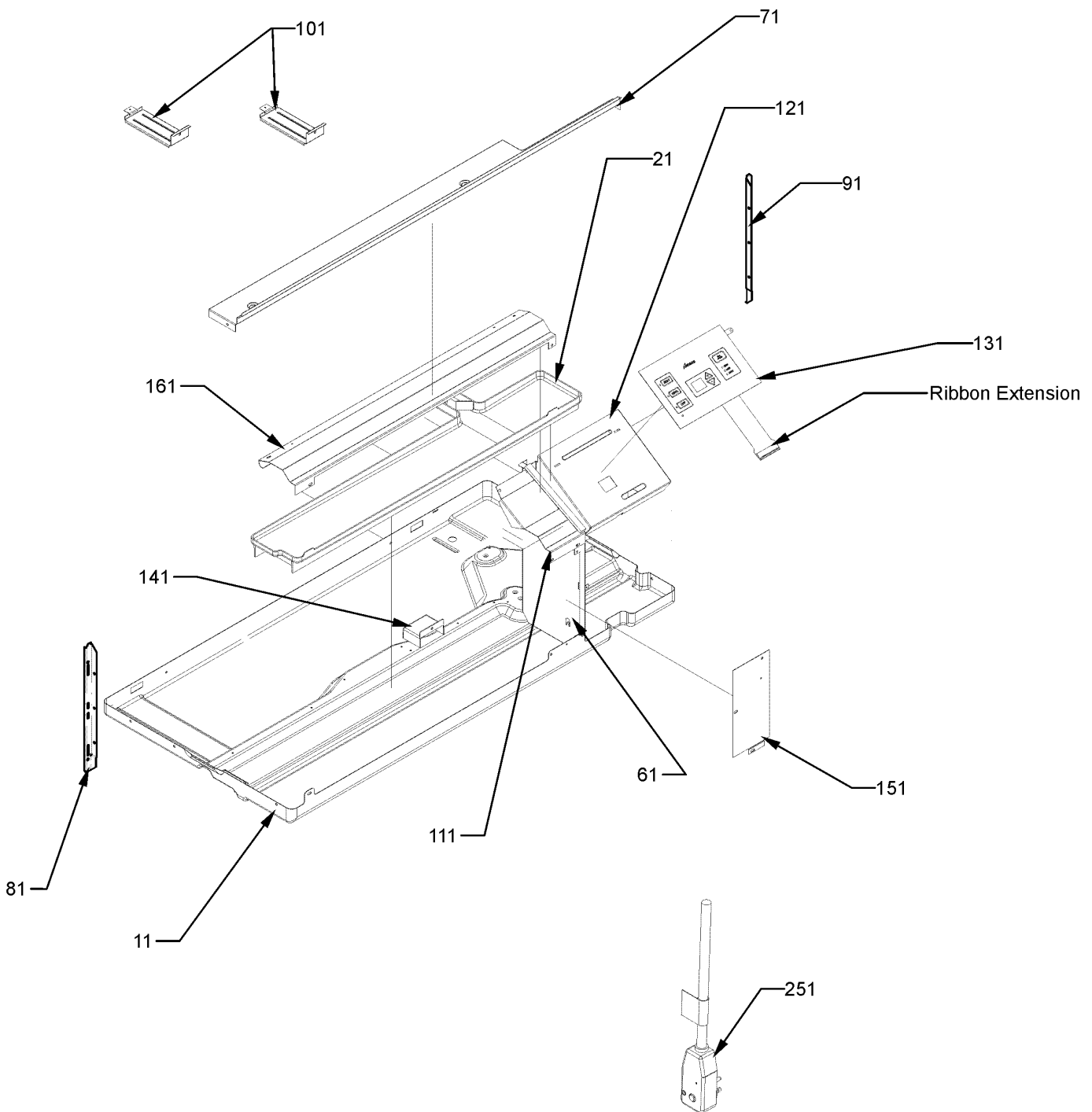
Image 1:

11	0161P00053	SHROUD, CONDENSOR
21	0131P00026	FAN MOTOR, OUTDOOR
31	0121P00108	PANEL-PARTITION (M1, M3, M4, M7, M8)
41	0161P00055	FAN, CONDENSER
51	C6300502	CAPACITOR STRAP
61	CAP020250450CS	CAPACITOR 2/25/450V/DUAL RD
71	802007090	TERMINAL BOARD
81	0130P00098	THERMISTOR - OUTDOOR AMBIENT (M3)
91	11046302	LEVER ARM (M1, M2, M4, M5, M7)
101	0163P00019	CABLE (M1, M2, M4, M5, M7)
111	0121P00177NG	DOOR - PNT VENT PTC (M1, M2, M3, M4, M5, M7, M8)
121	0121P00079	BRACKET, VENT DOOR (M3, M8)
131	0121P00072NG	BRACKET, VENT DOOR-C (M1, M2, M4, M5, M7)
141	11166401	EXTENSION SPRING (M3, M8)
151	CAP015000500RP	CAPACITOR
161	0163P00029	CAPACITOR CLAMP
181	11191703	PARTITION PANEL BRACKET (QTY 2)
191	0130P00137	MOTOR (M3, M8)
201	11166201	POWER VENT COVER BRACKET (M3, M8)
211	11166101	POWER VENT MOTOR BRACKET (M3, M8)
251	0121P00091	PANEL-AUXILLIARY (M6)

Expanded Model Nomenclature

M1 - PTH154G25AXXXCA
M2 - PTH154G25CXXXCA
M3 - PTH154G25DRXXCA
M4 - PTH154G35AXXXCA
M5 - PTH154G35CXXXCA
M6 - PTH154G35QXXXCA
M7 - PTH154G50AXXXCA
M8 - PTH154G50VXXXCA

Partition Assembly



Partition Assembly

Ref. Part No: No:	Description:	Ref. Part No: No:	Description:
-------------------	--------------	-------------------	--------------

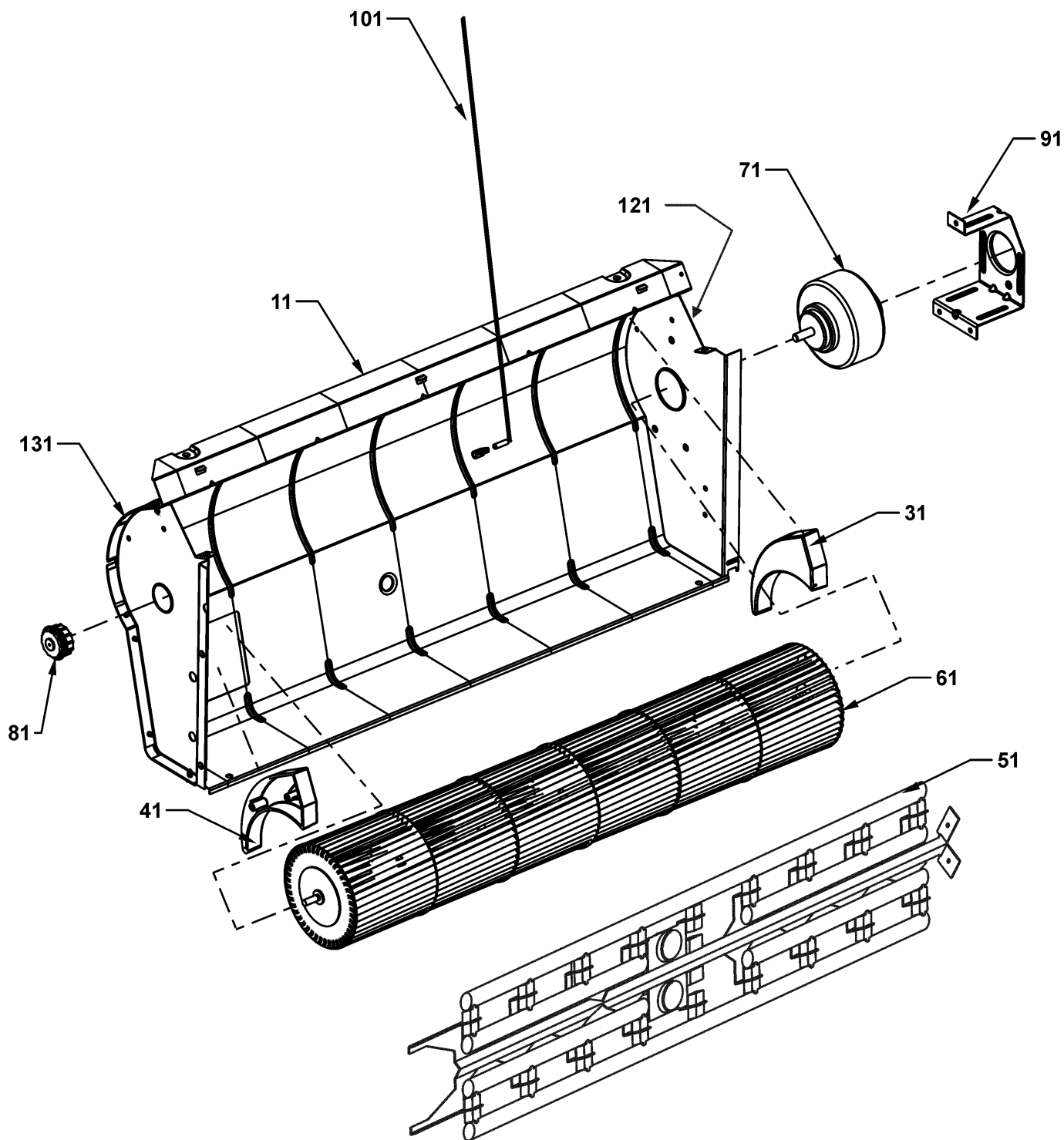
Image 1:

11	0121P00175DG	BASE PAN (M1, M3, M4, M6, M7, M8)
11	0121P00175NG	BASE PAN (M2, M5)
21	0161P00044	PLASTIC-DRAIN PAN
61	20403301	MID PARTITION PANEL
71	0121P00063NG	TOP, PARTITION PANEL PNT (M2, M5)
81	0121P00197	SEAL-L SIDE PTC
91	0121P00198	SEAL-R SIDE PTC
101	0121P00071NG	BRACE, TIE (M2, M5)
111	0121P00070DG	COVER, MOTOR
121	0121P00129	COVER-CONTROL PANEL
131	RSKP0015	CONTROL PANEL COVER AND MEMBRANE
141	0161P00016	PLASTIC-HOOD
151	20410801	ACCESS COVER
161	0121P00061DG	CUTOFF-SCROLL DG
251	0130P00128	CORD, 277V, 20A (M1, M2, M3, M4, M5, M6)
251	0130P00129	CORD, 277V, 30A (M7, M8)
NS	0130P00109	MEMBRANE (CONTROL)

Expanded Model Nomenclature

M1 - PTH154G25AXXXCA
M2 - PTH154G25CXXXCA
M3 - PTH154G25DRXXCA
M4 - PTH154G35AXXXCA
M5 - PTH154G35CXXXCA
M6 - PTH154G35QXXXCA
M7 - PTH154G50AXXXCA
M8 - PTH154G50VXXXCA

Evaporator Blower / Heater Assembly



Evaporator Blower / Heater Assembly

Ref. Part No:	No:	Description:	Ref. Part No:	No:	Description:
---------------	-----	--------------	---------------	-----	--------------

Image 1:

11	0121P00173DG	SCROLL
31	0161P00021	END CAP, RIGHT
41	0161P00022	END CAP, LEFT
51	0275P00023	HEATER ASSY (M1, M2, M3)
51	0275P00040	HEATER ASSY (M4, M5, M6)
51	0275P00041	HEATER ASSY (M7, M8)
61	0150P00004	WHEEL, BLOWER
71	0131P00038	FAN MOTOR, INDOOR
81	0163P00027	BEARING
91	0121P00048	BRACKET-MOTOR MOUNT
101	0130P00134	THERMISTOR - DISCHARGE
121	0121P00059DG	ENDPLATE-RH SCROLL
131	0121P00088DG	ENDPLATE- LH SCROLL

Expanded Model Nomenclature

M1 - PTH154G25AXXXCA
M2 - PTH154G25CXXXCA
M3 - PTH154G25DRXXCA
M4 - PTH154G35AXXXCA
M5 - PTH154G35CXXXCA
M6 - PTH154G35QXXXCA
M7 - PTH154G50AXXXCA
M8 - PTH154G50VXXXCA

Coil / Compressor / Tubing Assembly

Ref. Part No: No:	Description:	Ref. Part No: No:	Description:
Image 1:			
11	0151P00005		PTAC REVERSING VALVE ASSY
21	0130M00169		SWITCH, HIGH PRESS
31	0202P00065		EVAP ASSY, 5/16, 3 ROW
41	0130P00022		REVERSING VALVE COIL
51	0201P00097		7 MM CONDENSER COIL ASSY (M1, M3, M4, M6, M7, M8)
51	0201P00105NG		7MM CONDENSER ASSEMBLY PAINTED (M2, M5)
61	0130P00077		THERMISTOR - INDOOR (M3)
71	50A367Q		RECHI COMPRESSOR
81	60140209		GROMMET - RECHI COMPRESSOR (QTY 3)
91	M0227803		SCREW-TC (QTY 3)
101	60100103		TERMINAL GASKET
111	60343525		OVERLOAD PROTECTOR
121	20406303		BASE PAN VALVE
131	60100314		TERMINAL COVER - RECHI COMP
141	60100201		WASHER - RECHI COMPRESSOR
151	60100401		TERMINAL NUT - RECHI COMP
161	60500101		OLP SPRING - RECHI COMPRESSOR
201	0210P00279		CAPILLARY TUBE WELD
311	0130P00130		THERMISTOR
321	0130P00074		THERMISTOR
331	0130P00086		THERMISTOR - INDOOR COIL
NS	BT1392310		PLASTIC CLAMP, .1875 DIA (M3, M8)

Expanded Model Nomenclature

M1 - PTH154G25AXXXCA
M2 - PTH154G25CXXXCA
M3 - PTH154G25DRXXCA
M4 - PTH154G35AXXXCA
M5 - PTH154G35CXXXCA
M6 - PTH154G35QXXXCA
M7 - PTH154G50AXXXCA
M8 - PTH154G50VXXXCA