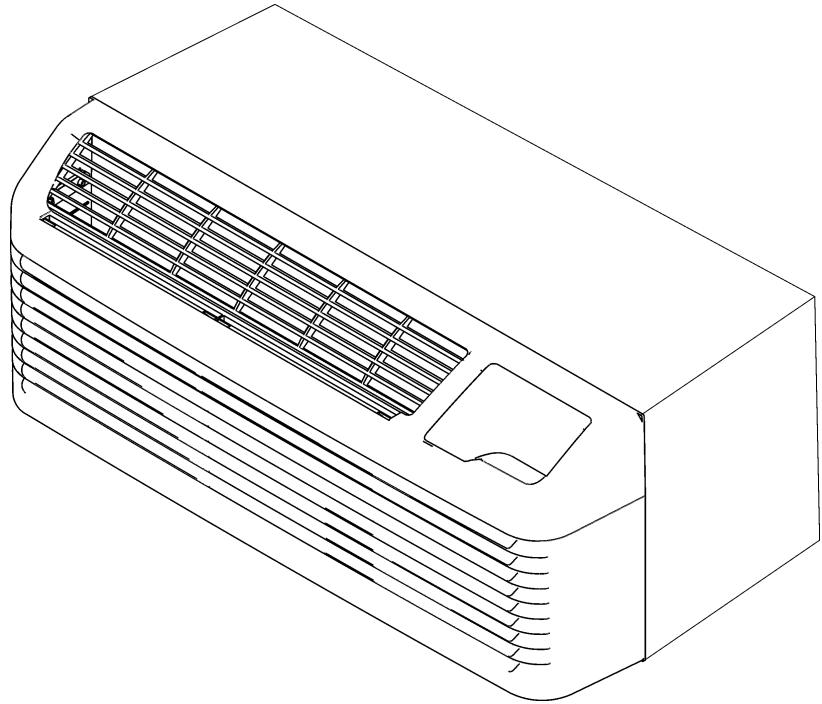


PTH154E Package Terminal Heat Pump

PTH154E25AXXXAC
PTH154E25CXXXAC
PTH154E25DRXXAC
PTH154E25QRXXAC
PTH154E35AXXXAC
PTH154E35CXXXAC
PTH154E35DXXXAC
PTH154E35QRXXAC
PTH154E35QXXXAC
PTH154E50AXXXAC
PTH154E50CXXXAC



Amana® is a registered trademark of Maytag Corporation or its related companies and is used under license. All rights reserved.

This manual is to be used by qualified technicians only.

This manual replaces RP-680D.

© 2012 - 2013, 2018 Goodman Company, L.P. ♦ 5151 San Felipe St, Suite 500 ♦ Houston, TX 77056

Important Information

Index

Functional Parts List	3
Illustration and Parts	4 - 13

Views shown are for parts illustrations only, not servicing procedures

Text Codes:

AR - As Required

NA - Not Available

NS - Not Shown

00000000 - See Note

QTY - Quantity Example (QTY 3) (If Quantity not shown, Quantity = 1)

M - Model Example (M1) (If M Code not shown, then part is used on all Models)

Expanded Model Nomenclature:

Example M1 - Model#1 M2 - Model#2 M3 - Model#3

Goodman Company, L.P. is not responsible for personal injury or property damage resulting from improper service. Review all service information before beginning repairs.

Warranty service must be performed by an authorized technician, using authorized factory parts. If service is required after the warranty expires, Goodman Company, L.P. also recommends contacting an authorized technician and using authorized factory parts.

Goodman Company, L.P. reserves the right to discontinue, or change at any time, specifications or designs without notice or without incurring obligations.

For assistance within the U.S.A. contact:

Homeowner Support
Goodman Company, L.P.
19001 Kermier Road
Waller, Texas 77484
877-254-4729-Telephone
713-863-2382-Facsimile

For assistance outside the U.S.A. contact:

International Division
Goodman Company, L.P.
19001 Kermier Road
Waller, Texas 77484
713-861-2500-Telephone
713-863-2382-Facsimile

Functional Parts

Part

No: **Description:**

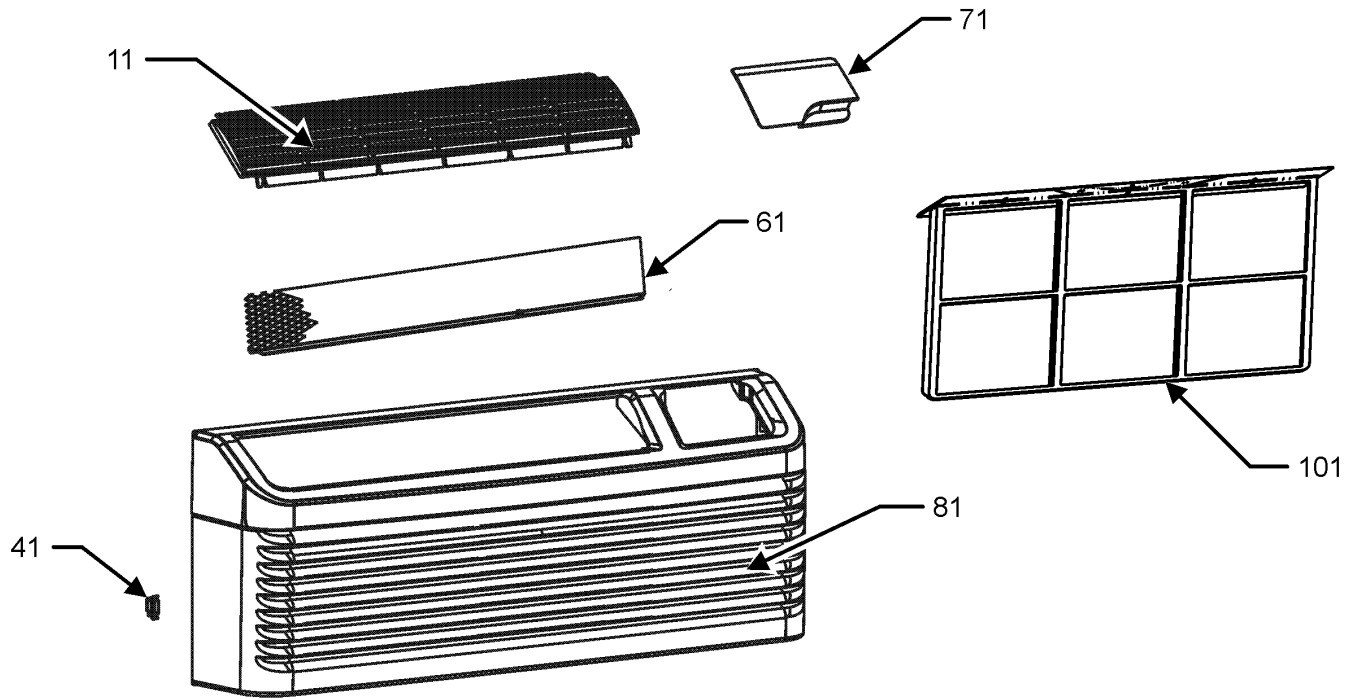
20406303	BASE PAN VALVE
CAP015000500RP	CAPACITOR
CAP020250450CS	CAPACITOR 2/25/450V/DUAL RD
50A367Q	COMPRESSOR, RECHI
RSKP0010	CONTROL BOARD M61
RSKP0005	CONTROL PANEL COVER AND MEMBRANE
11114701	CORD 277 VAC, 20A (M1, M2, M3, M4, M5, M6, M7, M8, M9)
11114801	CORD 277 VAC, 30A (M10, M11)
0130M00132	CUT-OUT SWITCH, HIGH PRESSURE
0131P00038	FAN MOTOR, INDOOR
0131P00026	FAN MOTOR, OUTDOOR
0161P00055	FAN, CONDENSER
A3410402	FUSE 15A (M1, M2, M3, M4)
A3410403	FUSE 20A (M5, M6, M7, M8, M9)
A3410404	FUSE 25A (M10, M11)
0275P00041	HEATER ASSY (M10, M11)
0275P00040	HEATER ASSY (M5, M6, M7, M8, M9)
0275P00023	HEATER ASSY (M1, M2, M3, M4)
0130P00137	MOTOR (M3, M7)
60343525	OVERLOAD PROTECTOR
0130M00097	RELAY
C8873932	RELAY (POWER VENT) (M3, M7)
0130P00074	THERMISTOR
0130P00134	THERMISTOR - DISCHARGE
0130P00077	THERMISTOR - INDOOR (M3, M4, M8)
0130P00086	THERMISTOR - INDOOR COIL
0130P00098	THERMISTOR - OUTDOOR AMBIENT (M3, M4, M8)
0130P00093	THERMISTOR, .375 CLIP, BLUE
0130M00329	TRANSFORMER 20VA 60HZ
0130M00151	TRANSFORMER 277V to 24V, 40VA (M3, M7)

Expanded Model Nomenclature

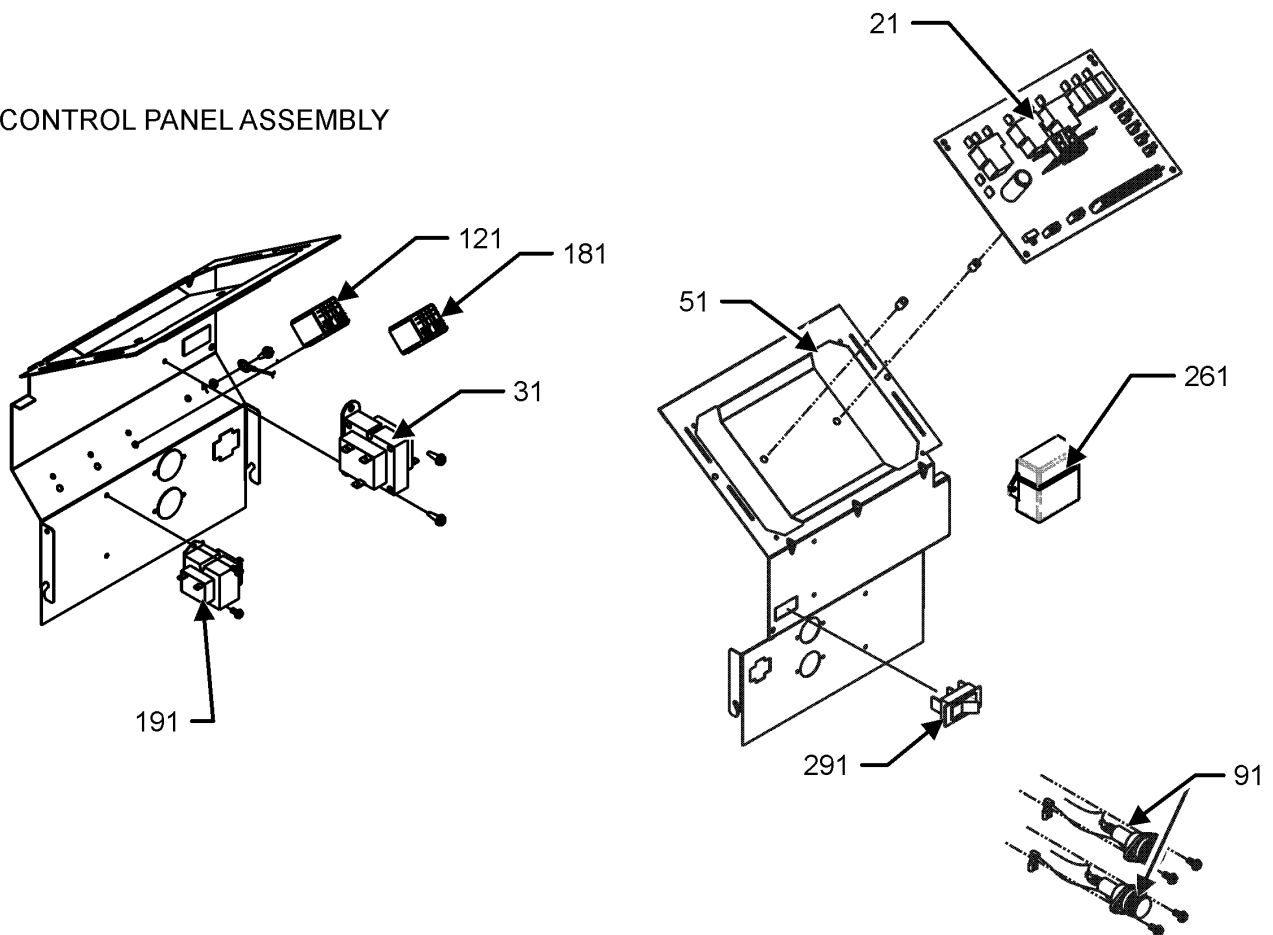
M1 - PTH154E25AXXXAC
M2 - PTH154E25CXXXAC
M3 - PTH154E25DRXXAC
M4 - PTH154E25QRXXAC
M5 - PTH154E35AXXXAC
M6 - PTH154E35CXXXAC
M7 - PTH154E35DXXXAC
M8 - PTH154E35QRXXAC
M9 - PTH154E35QXXXAC
M10 - PTH154E50AXXXAC
M11 - PTH154E50CXXXAC

Front Panel and Control Panel Assembly

FRONT PANEL ASSEMBLY



CONTROL PANEL ASSEMBLY



Front Panel and Control Panel Assembly

Ref. Part No: No:	Description:	Ref. Part No: No:	Description:
-------------------	--------------	-------------------	--------------

Image 1:

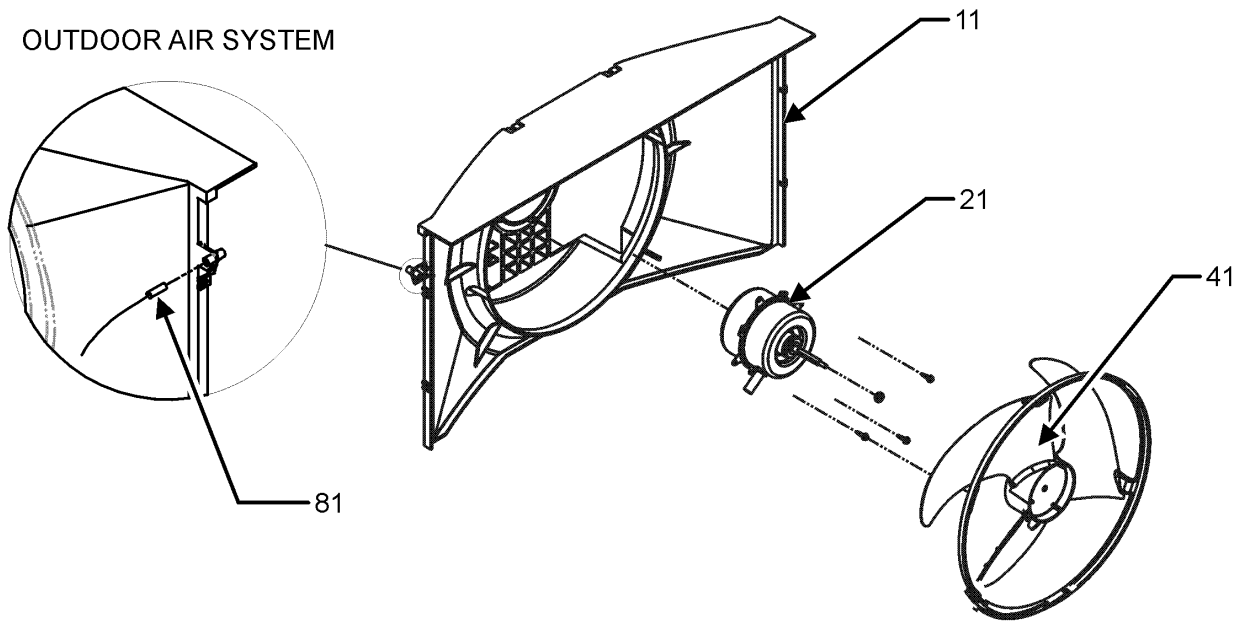
11	0161P00048	FRONT-DICHARGE LOUVERS
21	RSKP0010	CONTROL BOARD M61
31	0130M00329	TRANSFORMER 20VA 60HZ
41	0163P00025	CLIP (QTY 2)
51	0121P00130	PANEL, CONTROL
61	0121P00073	SCREEN, DISCHARGE
71	0261P00003	DOOR ASSY -AMANA-
81	0261P00011	FRONT ASSY
91	C6476001	BAYONET FUSE HOLDER (M1, M2, M3, M4)
91	C6476002	BAYONET FUSE HOLDER (M5, M6, M7, M8, M9)
91	C6476003	BAYONET FUSE HOLDER (M10, M11)
101	0161P00035	FILTER, RACK (QTY 2)
121	0130M00097	RELAY
181	C8873932	RELAY (POWER VENT) (M3, M7)
191	0130M00151	TRANSFORMER 277V to 24V, 40VA (M3, M7)
261	0130P00104	ANTENNA (DIGITENNA) (M3, M4, M8)
291	B1337701	PADDLE SWITCH (M3, M7)
NS	A3410402	FUSE 15A (M1, M2, M3, M4)
NS	A3410403	FUSE 20A (M5, M6, M7, M8, M9)
NS	A3410404	FUSE 25A (M10, M11)

Expanded Model Nomenclature

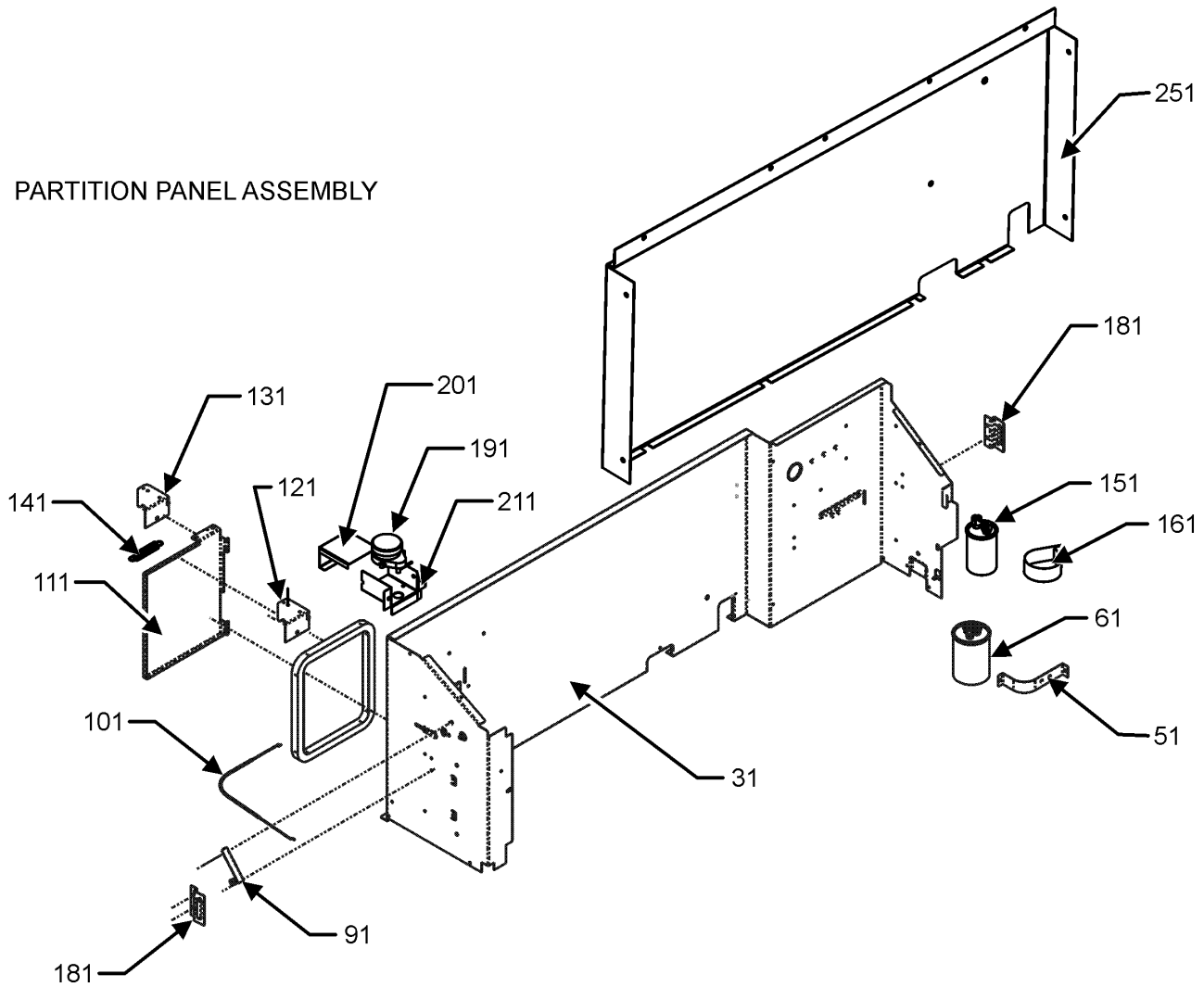
M1 - PTH154E25AXXXAC
M2 - PTH154E25CXXXAC
M3 - PTH154E25DRXXAC
M4 - PTH154E25QRXXAC
M5 - PTH154E35AXXXAC
M6 - PTH154E35CXXXAC
M7 - PTH154E35DXXXAC
M8 - PTH154E35QRXXAC
M9 - PTH154E35QXXXAC
M10 - PTH154E50AXXXAC
M11 - PTH154E50CXXXAC

Outdoor System and Partition Panel Assy

OUTDOOR AIR SYSTEM



PARTITION PANEL ASSEMBLY



Outdoor System and Partition Panel Assy

Ref. Part No: No:	Description:	Ref. Part No: No:	Description:
-------------------	--------------	-------------------	--------------

Image 1:

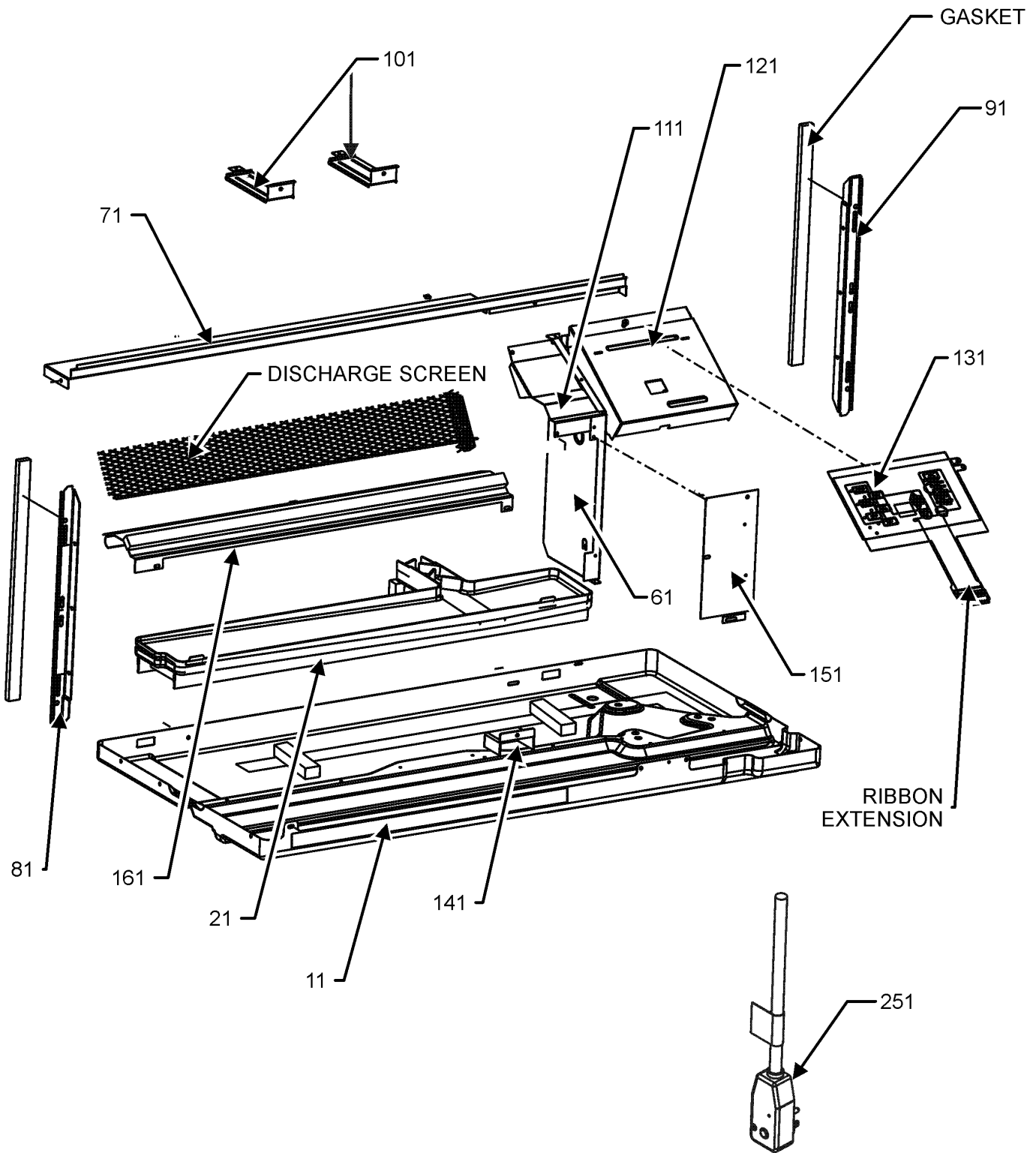
11	0161P00053	SHROUD, CONDENSOR
21	0131P00026	FAN MOTOR, OUTDOOR
31	0121P00093	PANEL-PARTITION (M4, M8, M9)
31	0121P00108NG	PANEL-PARTITION (M1, M2, M3, M5, M6, M7, M10, M11)
41	0161P00055	FAN, CONDENSER
51	C6300502	CAPACITOR STRAP
61	CAP020250450CS	CAPACITOR 2/25/450V/DUAL RD
81	0130P00098	THERMISTOR - OUTDOOR AMBIENT (M3, M4, M8)
91	11046302	LEVER ARM (M1, M2, M5, M6, M10, M11)
101	0163P00019	CABLE (M1, M2, M5, M6, M10, M11)
111	0121P00177NG	DOOR - PNT VENT PTC (M1, M2, M3, M5, M6, M7, M10, M11)
121	0121P00079	BRACKET, VENT DOOR (M3, M7)
131	0121P00072NG	BRACKET, VENT DOOR-C (M2, M6, M11)
131	0121P00180	BRKT, POWER VENT (M3, M7)
141	11166401	EXTENSION SPRING (M3, M7)
151	CAP015000500RP	CAPACITOR
161	0163P00029	CAPACITOR CLAMP
181	11191703	PARTITION PANEL BRACKET (QTY 2)
191	0130P00137	MOTOR (M3, M7)
201	11166201	POWER VENT COVER BRACKET (M3, M7)
211	11166101	POWER VENT MOTOR BRACKET (M3, M7)
251	0121P00091	PANEL-AUXILLIARY (M4, M8, M9)

Expanded Model Nomenclature

- M1 - PTH154E25AXXXAC
- M2 - PTH154E25CXXXAC
- M3 - PTH154E25DRXXAC
- M4 - PTH154E25QRXXAC
- M5 - PTH154E35AXXXAC
- M6 - PTH154E35CXXXAC
- M7 - PTH154E35DXXXAC
- M8 - PTH154E35QRXXAC
- M9 - PTH154E35QXXXAC
- M10 - PTH154E50AXXXAC
- M11 - PTH154E50CXXXAC

Base Pan Assembly

BASE PAN ASSEMBLY



Base Pan Assembly

Ref. Part No:	No:	Description:	Ref. Part No:	No:	Description:
---------------	-----	--------------	---------------	-----	--------------

Image 1:

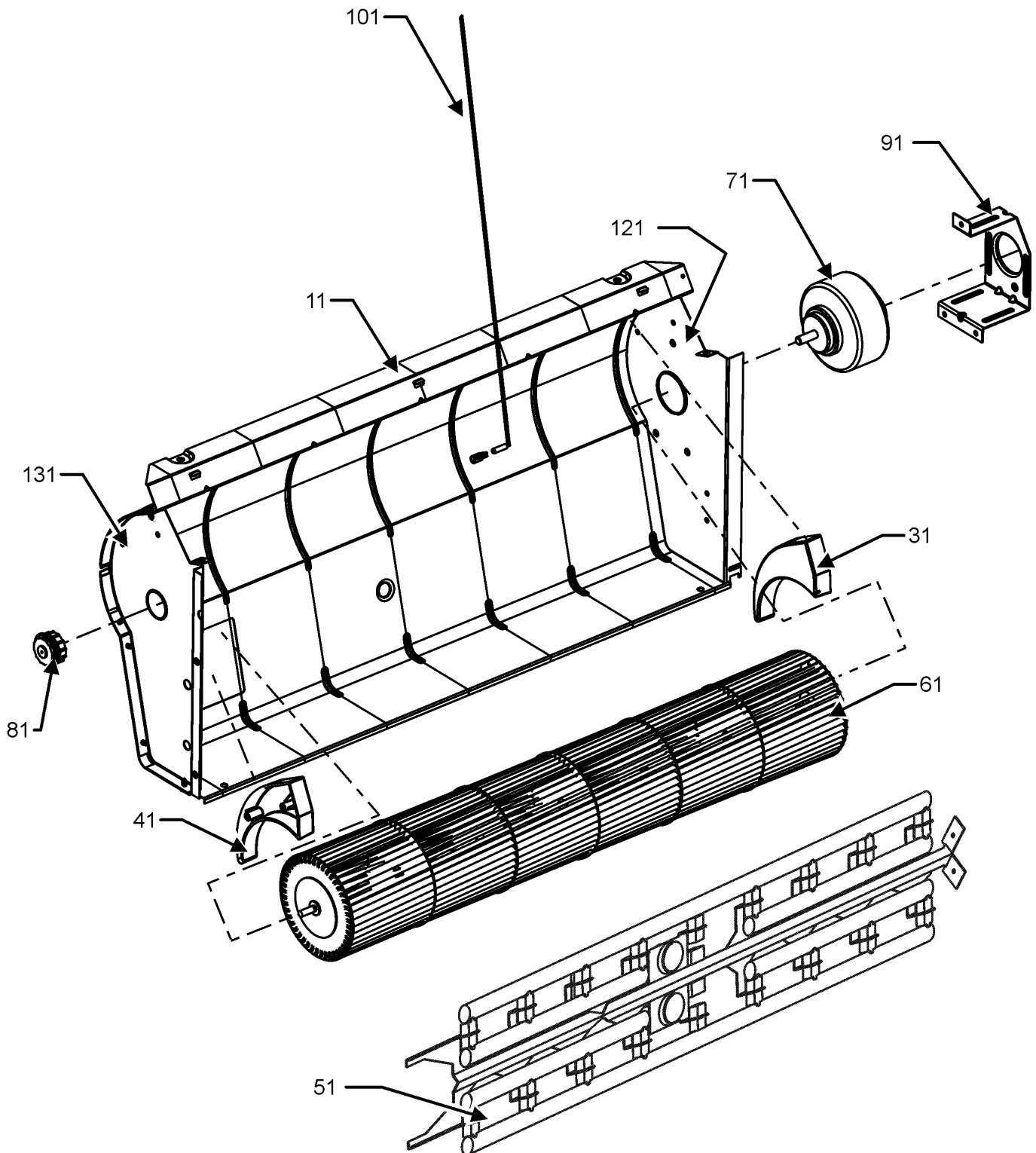
11	0121P00175DG	BASE PAN (M1, M3, M4, M5, M7, M8, M9, M10)
11	0121P00175NG	BASE PAN (M2, M6, M11)
21	0161P00044	PLASTIC-DRAIN PAN
61	20403301	MID PARTITION PANEL
71	0121P00063NG	TOP, PARTITION PANEL
81	0121P00197	SEAL-L SIDE PTC
91	0121P00198	SEAL-R SIDE PTC
101	0121P00071NG	BRACE, TIE (QTY 2)
111	0121P00070DG	COVER, MOTOR
121	0121P00129	COVER-CONTROL PANEL
131	RSKP0005	CONTROL PANEL COVER AND MEMBRANE
141	0161P00016	PLASTIC-HOOD (M1, M2, M3, M5, M6, M7, M10, M11)
151	20410801	ACCESS COVER
161	0121P00061DG	CUTOFF-SCROLL DG
251	11114701	CORD 277 VAC, 20A (M1, M2, M3, M4, M5, M6, M7, M8, M9)
251	11114801	CORD 277 VAC, 30A (M10, M11)
NS	0130P00054	MEMBRANE (CONTROL)

Expanded Model Nomenclature

M1 - PTH154E25AXXXAC
M2 - PTH154E25CXXXAC
M3 - PTH154E25DRXXAC
M4 - PTH154E25QRXXAC
M5 - PTH154E35AXXXAC
M6 - PTH154E35CXXXAC
M7 - PTH154E35DXXXAC
M8 - PTH154E35QRXXAC
M9 - PTH154E35QXXXAC
M10 - PTH154E50AXXXAC
M11 - PTH154E50CXXXAC

Indoor Blower Assembly

INDOOR BLOWER ASSEMBLY



Indoor Blower Assembly

Ref. Part No:	Description:	Ref. Part No:	Description:
---------------	--------------	---------------	--------------

Image 1:

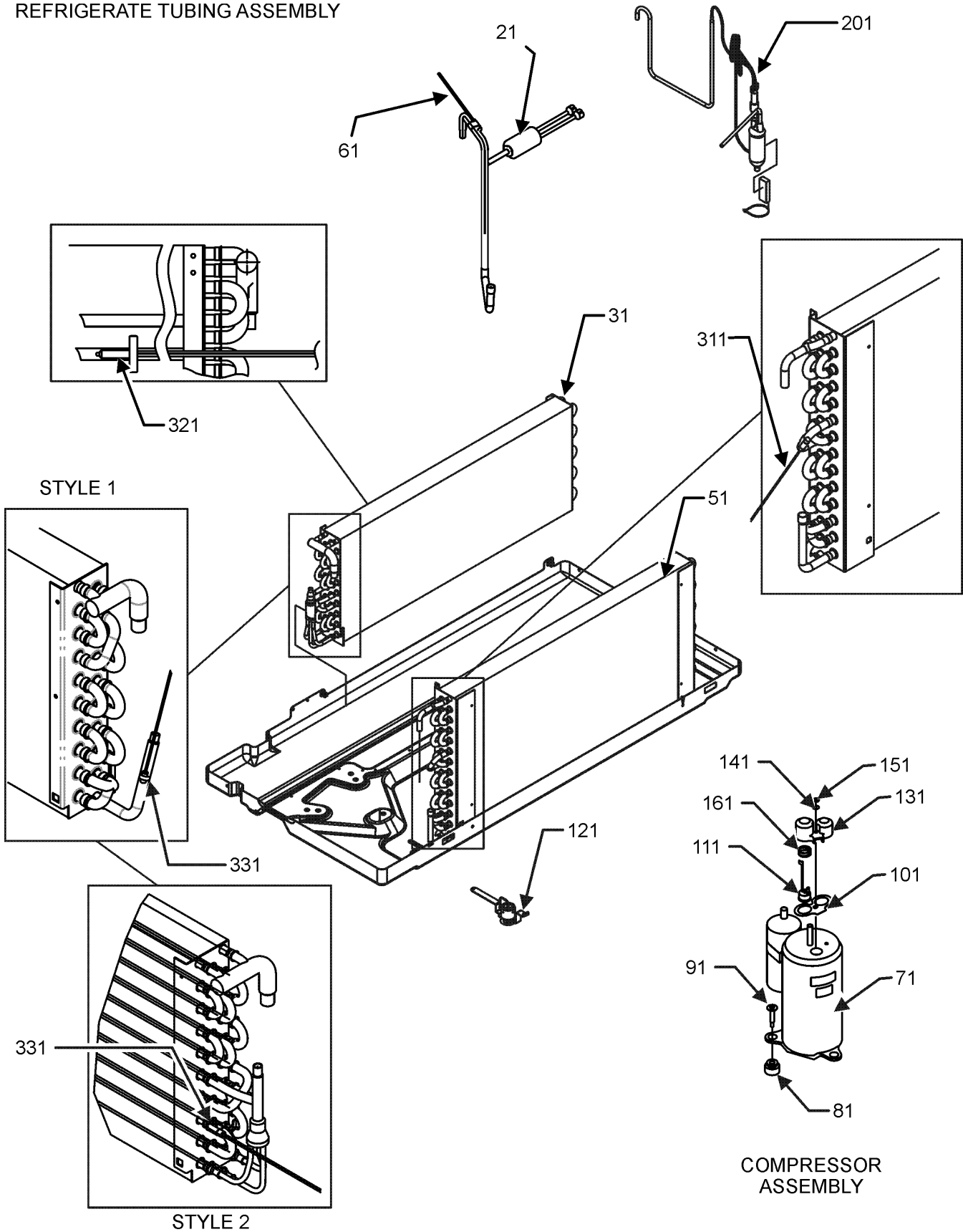
11	0121P00173DG	SCROLL
31	0161P00021	END CAP, RIGHT
41	0161P00022	END CAP, LEFT
51	0275P00023	HEATER ASSY (M1, M2, M3, M4)
51	0275P00040	HEATER ASSY (M5, M6, M7, M8, M9)
51	0275P00041	HEATER ASSY (M10, M11)
61	0150P00004	WHEEL, BLOWER
71	0131P00038	FAN MOTOR, INDOOR
81	0163P00027	BEARING
91	0121P00048	BRACKET-MOTOR MOUNT
101	0130P00134	THERMISTOR - DISCHARGE
121	0121P00059DG	ENDPLATE-RH SCROLL
131	0121P00215DG	ENDPLATE- LH SCROLL

Expanded Model Nomenclature

M1 - PTH154E25AXXXAC
M2 - PTH154E25CXXXAC
M3 - PTH154E25DRXXAC
M4 - PTH154E25QRXXAC
M5 - PTH154E35AXXXAC
M6 - PTH154E35CXXXAC
M7 - PTH154E35DXXXAC
M8 - PTH154E35QRXXAC
M9 - PTH154E35QXXXAC
M10 - PTH154E50AXXXAC
M11 - PTH154E50CXXXAC

Refrigerate Tubing Assembly

REFRIGERATE TUBING ASSEMBLY



Refrigerate Tubing Assembly

Ref. Part No: No:	Description:	Ref. Part No: No:	Description:
-------------------	--------------	-------------------	--------------

Image 1:

21	0130M00132	CUT-OUT SWITCH, HIGH PRESSURE
31	0202P00065	EVAP ASSY, 5/16, 3 ROW
51	0201P00079	CONDENSER ASSY (M1, M3, M4, M5, M7, M8, M9, M10)
51	0201P00083NG	CONDENSER ASSY PNT (M2, M6, M11)
61	0130P00077	THERMISTOR - INDOOR (M3, M4, M8)
71	50A367Q	COMPRESSOR, RECHI
81	60140209	GROMMET - RECHI COMPRESSOR (QTY 3)
91	M0253610	SHOULDER SCREW (QTY 3)
101	60100103	TERMINAL GASKET
111	60343525	OVERLOAD PROTECTOR
121	20406303	BASE PAN VALVE
131	60100314	TERMINAL COVER - RECHI COMP
141	60100201	WASHER - RECHI COMPRESSOR
151	60100401	TERMINAL NUT - RECHI COMP
161	60500101	OLP SPRING - RECHI COMPRESSOR
201	0210P00152	CAPILLARY WELDMENT
311	0130P00093	THERMISTOR, .375 CLIP, BLUE
321	0130P00074	THERMISTOR
331	0130P00086	THERMISTOR - INDOOR COIL

Expanded Model Nomenclature

- M1 - PTH154E25AXXXAC
- M2 - PTH154E25CXXXAC
- M3 - PTH154E25DRXXAC
- M4 - PTH154E25QRXXAC
- M5 - PTH154E35AXXXAC
- M6 - PTH154E35CXXXAC
- M7 - PTH154E35DXXXAC
- M8 - PTH154E35QRXXAC
- M9 - PTH154E35QXXXAC
- M10 - PTH154E50AXXXAC
- M11 - PTH154E50CXXXAC