

## **PTH153G Package Terminal Heat Pump**

PTH153G25AXXXDB  
PTH153G35CXXXCA  
PTH153G35VXXXCA  
PTH153G50VXXXCA



Amana® is a registered trademark of Maytag Corporation or its related companies and is used under license. All rights reserved.

This manual is to be used by qualified technicians only.

# Important Information

---

## Index

Functional Parts List .....	3
Illustration and Parts .....	4 - 13

*Views shown are for parts illustrations only, not servicing procedures*

### Text Codes:

AR - As Required

NA - Not Available

NS - Not Shown

00000000 - See Note

QTY - Quantity Example (QTY 3) (If Quantity not shown, Quantity = 1)

M - Model Example (M1) (If M Code not shown, then part is used on all Models)

### Expanded Model Nomenclature:

Example M1 - Model#1 M2 - Model#2 M3 - Model#3
---

Goodman Company, L.P. is not responsible for personal injury or property damage resulting from improper service. Review all service information before beginning repairs.

Warranty service must be performed by an authorized technician, using authorized factory parts. If service is required after the warranty expires, Goodman Company, L.P. also recommends contacting an authorized technician and using authorized factory parts.

Goodman Company, L.P. reserves the right to discontinue, or change at any time, specifications or designs without notice or without incurring obligations.

For assistance within the U.S.A. contact:

Homeowner Support  
Goodman Company, L.P.  
19001 Kermier Road  
Waller, Texas 77484  
877-254-4729-Telephone  
713-863-2382-Facsimile

For assistance outside the U.S.A. contact:

International Division  
Goodman Company, L.P.  
19001 Kermier Road  
Waller, Texas 77484  
713-861-2500-Telephone  
713-863-2382-Facsimile

# Functional Parts

## Part

## No: Description:

---

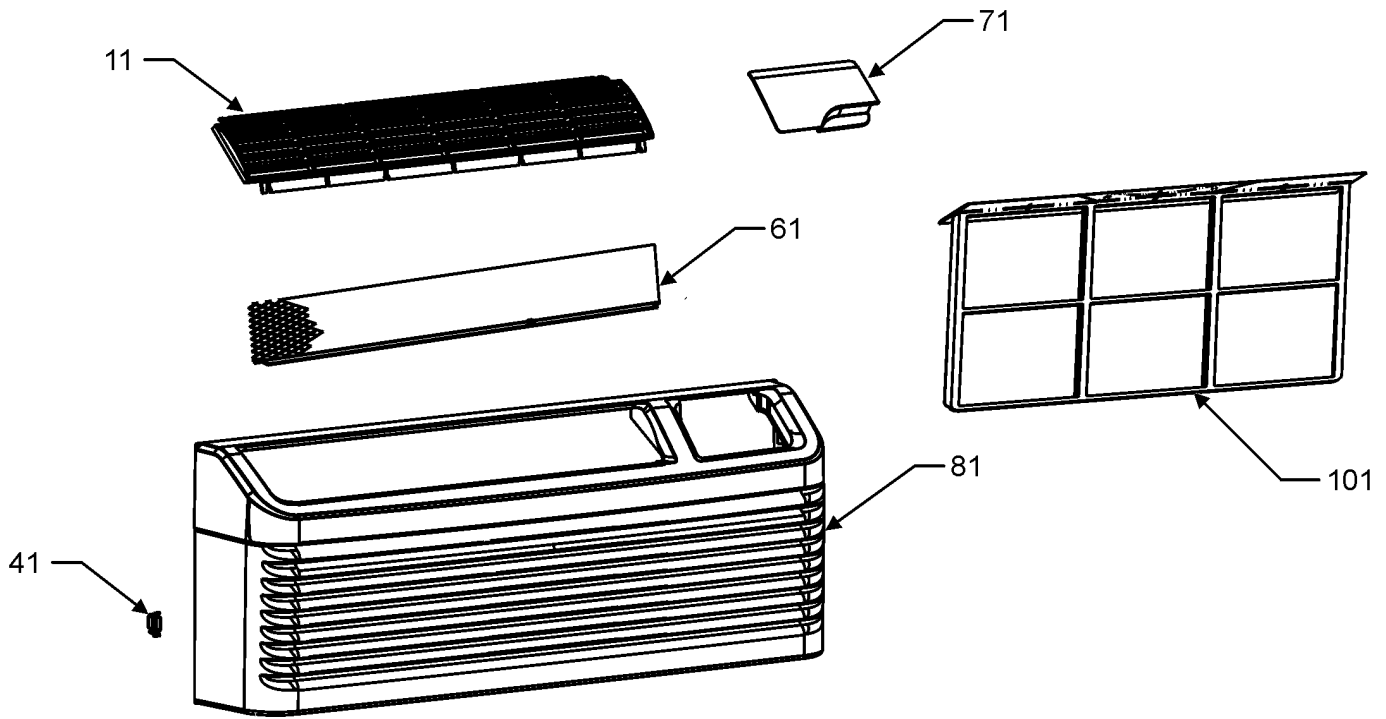
20406303	BASE PAN VALVE
CAP020000440RP	CAPACITOR 2/440V
CAP050300450CS	CAPACITOR 5/30/450V/DUAL RD
50A362QM-9GKG	COMPRESSOR, RECHI
RSKP0012	CONTROL BOARD M70
0130P00112	CORD,250VAC,15A (LCD) (M1)
0130P00115	CORD,250VAC,20A (LCD) (M2, M3)
0130P00118	CORD,250VAC,30A (LCD) (M4)
0131P00025	FAN MOTOR OUTDOOR (M2, M3, M4)
0131P00055	FAN MOTOR, INDOOR
0131P00030	FAN MOTOR, OUTDOOR DC (M1)
0161P00055	FAN, CONDENSER
0275P00038	HEATER ASSY (M2, M3)
0275P00019	HEATER ASSY (M1)
0275P00039	HEATER ASSY (M4)
RSKP0015	MEMBRANE KIT
0130P00137	MOTOR (M3, M4)
60343546	OVERLOAD PROTECTOR
0151P00009	PTAC REVERSING VALVE ASSY
0130P00022	REVERSING VALVE COIL
0130M00169	SWITCH, HIGH PRESS
802007090	TERMINAL BOARD
0130P00130	THERMISTOR (M2, M3, M4)
0130P00142	THERMISTOR
0130P00144	THERMISTOR
0130P00134	THERMISTOR - DISCHARGE
0130P00098	THERMISTOR - OUTDOOR AMBIENT (M3, M4)
0130P00093	THERMISTOR, .375 CLIP, BLUE (M1)
0130M00599	TRANS, 40VA, 240V/208V TO 24V (M3, M4)
0130M00341	TRANSFORMER 20VA 230V
PCBEP101	VARIABLE SPEED TERMINAL BOARD (DDC CONTROL) (M1)

### Expanded Model Nomenclature

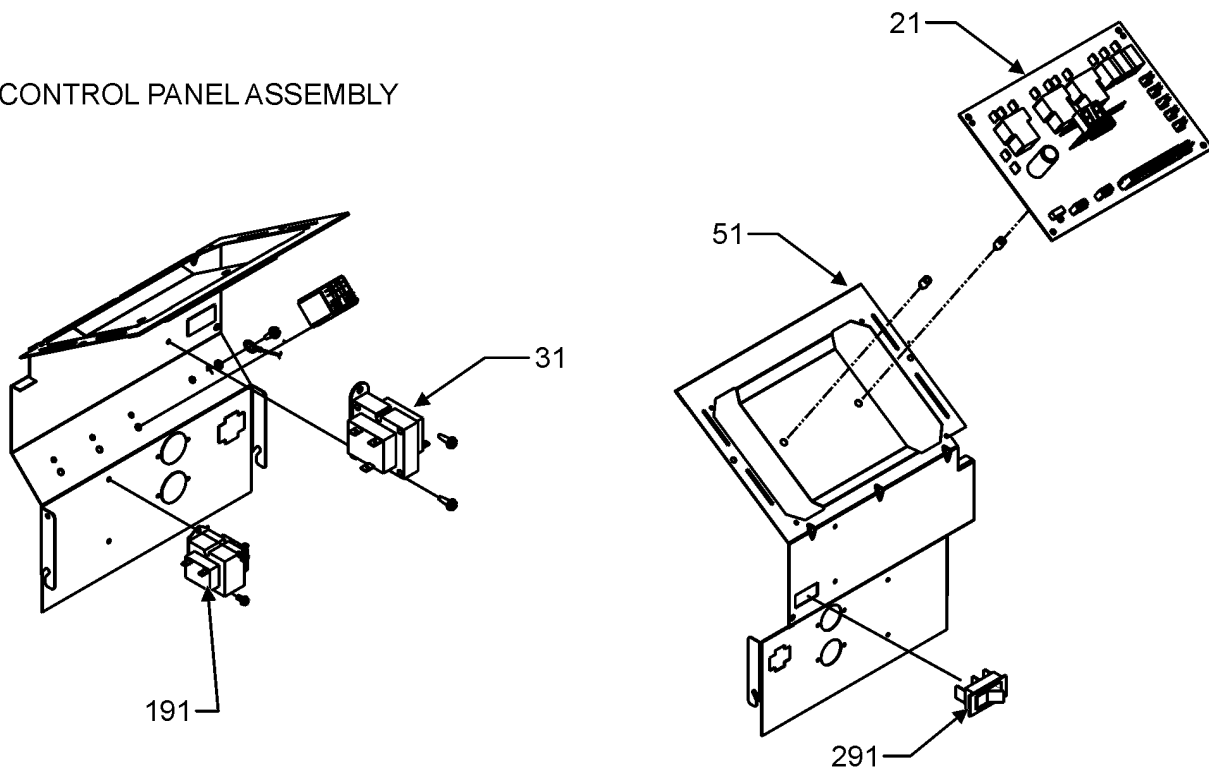
M1 - PTH153G25AXXXDB
M2 - PTH153G35CXXXCA
M3 - PTH153G35VXXXCA
M4 - PTH153G50VXXXCA

# Control Panel and Front Assembly

## FRONT PANEL ASSEMBLY



## CONTROL PANEL ASSEMBLY



# Control Panel and Front Assembly

Ref. Part No:	No:	Description:	Ref. Part No:	No:	Description:
---------------	-----	--------------	---------------	-----	--------------

---

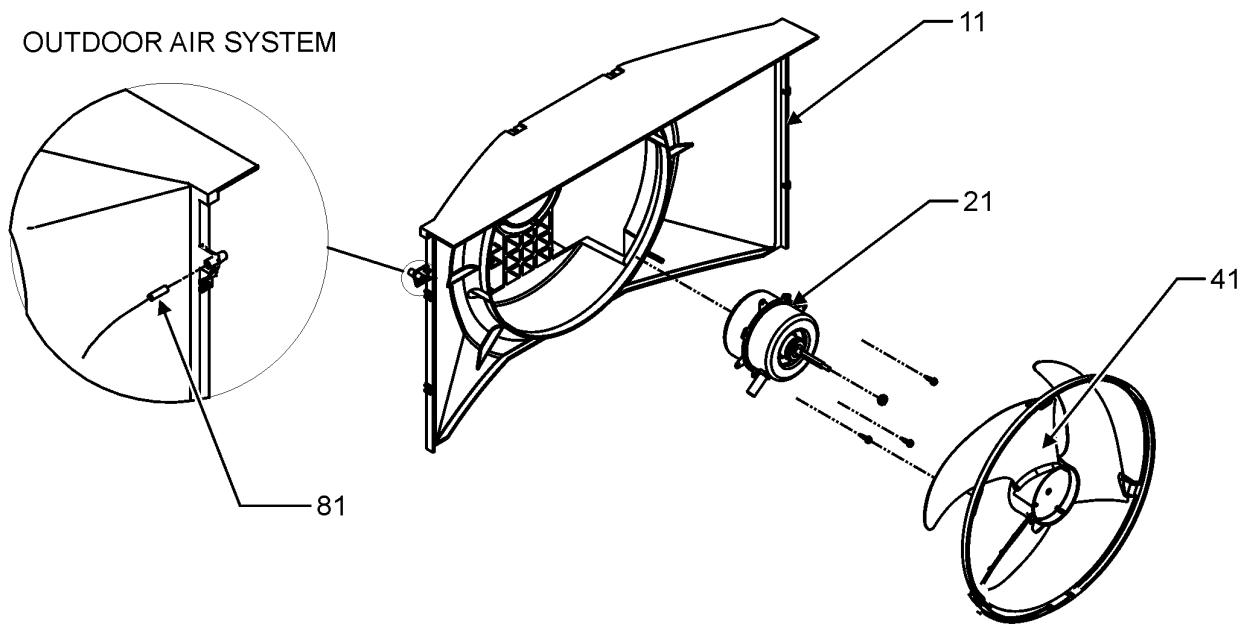
**Image 1:**

11	0161P00048	FRONT-DICHARGE LOUVERS
21	RSKP0012	CONTROL BOARD M70
31	0130M00341	TRANSFORMER 20VA 230V
41	0163P00025	CLIP (QTY 2)
51	0121P00130	PANEL, CONTROL
61	0121P00194BL	SCREEN, DISCHARGE, PAINTED
71	0261P00003	DOOR ASSY -AMANA-
81	0261P00011	FRONT ASSY
101	0161P00035	FILTER, RACK (QTY 2)
191	0130M00599	TRANS, 40VA, 240V/208V TO 24V (M3, M4)
291	B1337701	PADDLE SWITCH (M3, M4)

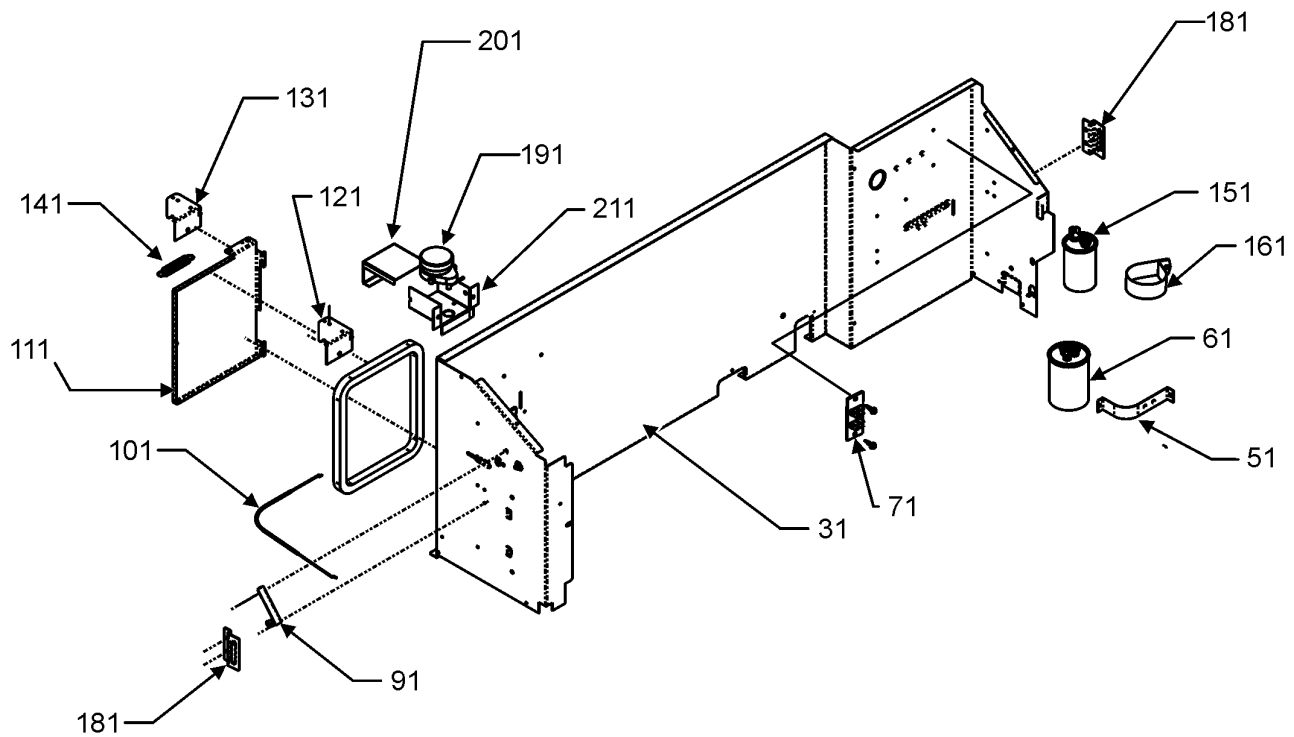
**Expanded Model Nomenclature**

M1 - PTH153G25AXXXDB
M2 - PTH153G35CXXXCA
M3 - PTH153G35VXXXCA
M4 - PTH153G50VXXXCA

# Outdoor Air System and Partition Panel



## PARTITION PANEL ASSEMBLY



# Outdoor Air System and Partition Panel

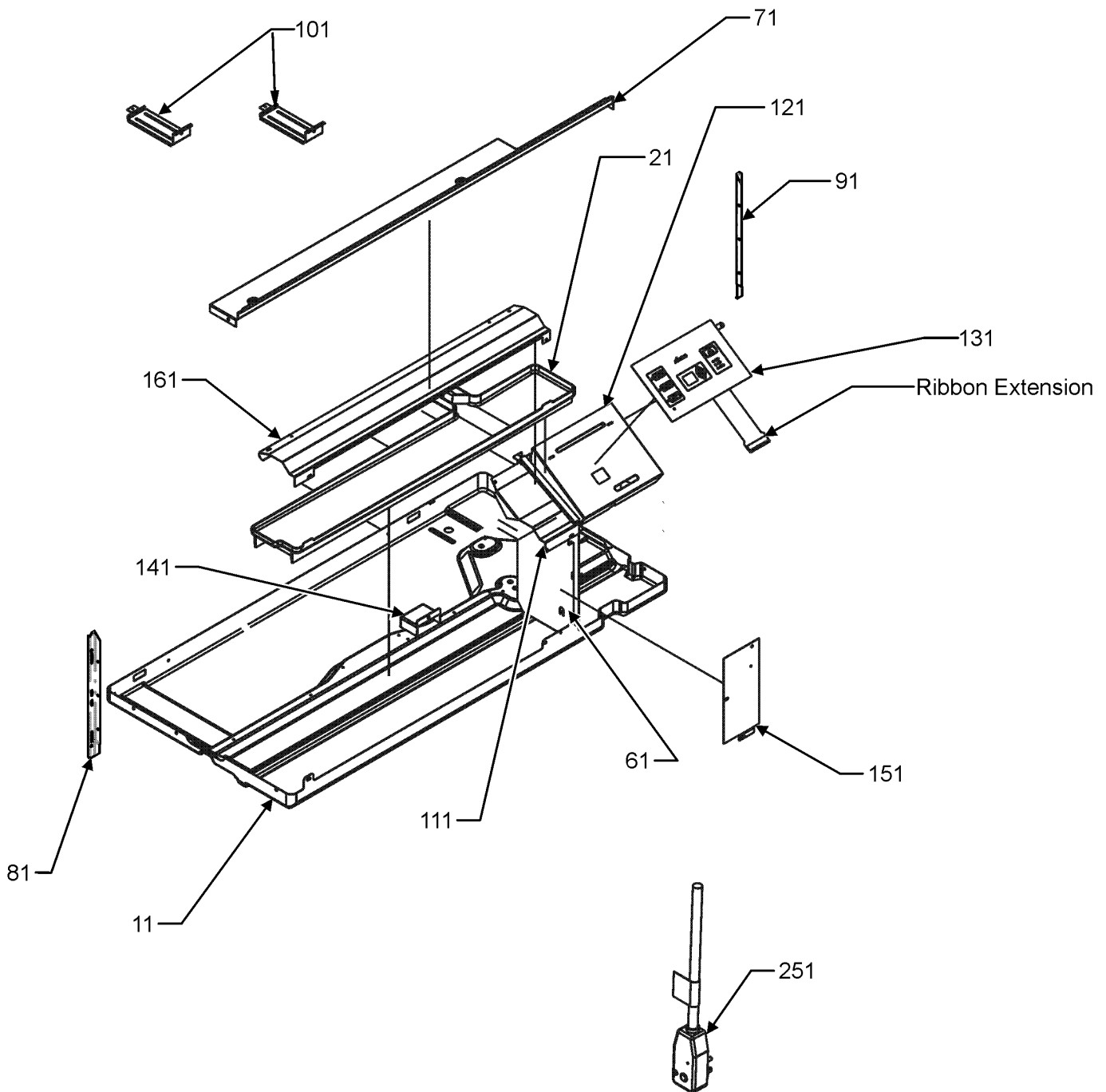
Ref. Part No:	No:	Description:	Ref. Part No:	No:	Description:
<b>Image 1:</b>					
11	0161P00053	SHROUD, CONDENSER			
21	0131P00025	FAN MOTOR OUTDOOR (M2, M3, M4)			
21	0131P00030	FAN MOTOR, OUTDOOR DC (M1)			
31	0121P00108NG	PANEL-PARTITION			
41	0161P00055	FAN, CONDENSER			
51	C6300502	CAPACITOR STRAP			
61	CAP050300450CS	CAPACITOR 5/30/450V/DUAL RD			
71	802007090	TERMINAL BOARD			
81	0130P00098	THERMISTOR - OUTDOOR AMBIENT (M3, M4)			
91	11046302	LEVER ARM (M1, M2)			
101	0163P00019	CABLE (M1, M2)			
111	0121P00177NG	DOOR - PNT VENT PTC			
121	0121P00079	BRACKET, VENT DOOR (M3, M4)			
131	0121P00072NG	BRACKET, VENT DOOR-C (M1, M2)			
141	11166401	EXTENSION SPRING (M3, M4)			
151	CAP020000440RP	CAPACITOR 2/440V			
161	0163P00029	CAPACITOR CLAMP			
181	11191703	PARTITION PANEL BRACKET (QTY 2)			
191	0130P00137	MOTOR (M3, M4)			
201	11166201	POWER VENT COVER BRACKET (M3, M4)			
211	11166101	POWER VENT MOTOR BRACKET (M3, M4)			
NS	PCBEP101	VARIABLE SPEED TERMINAL BOARD (DDC CONTROL) (M1)			

## Expanded Model Nomenclature

M1 - PTH153G25AXXXDB
M2 - PTH153G35CXXXCA
M3 - PTH153G35VXXXCA
M4 - PTH153G50VXXXCA

# Base Pan Assembly

## BASE PAN ASSEMBLY



# Base Pan Assembly

Ref. Part No:	No:	Description:	Ref. Part No:	No:	Description:
---------------	-----	--------------	---------------	-----	--------------

---

## Image 1:

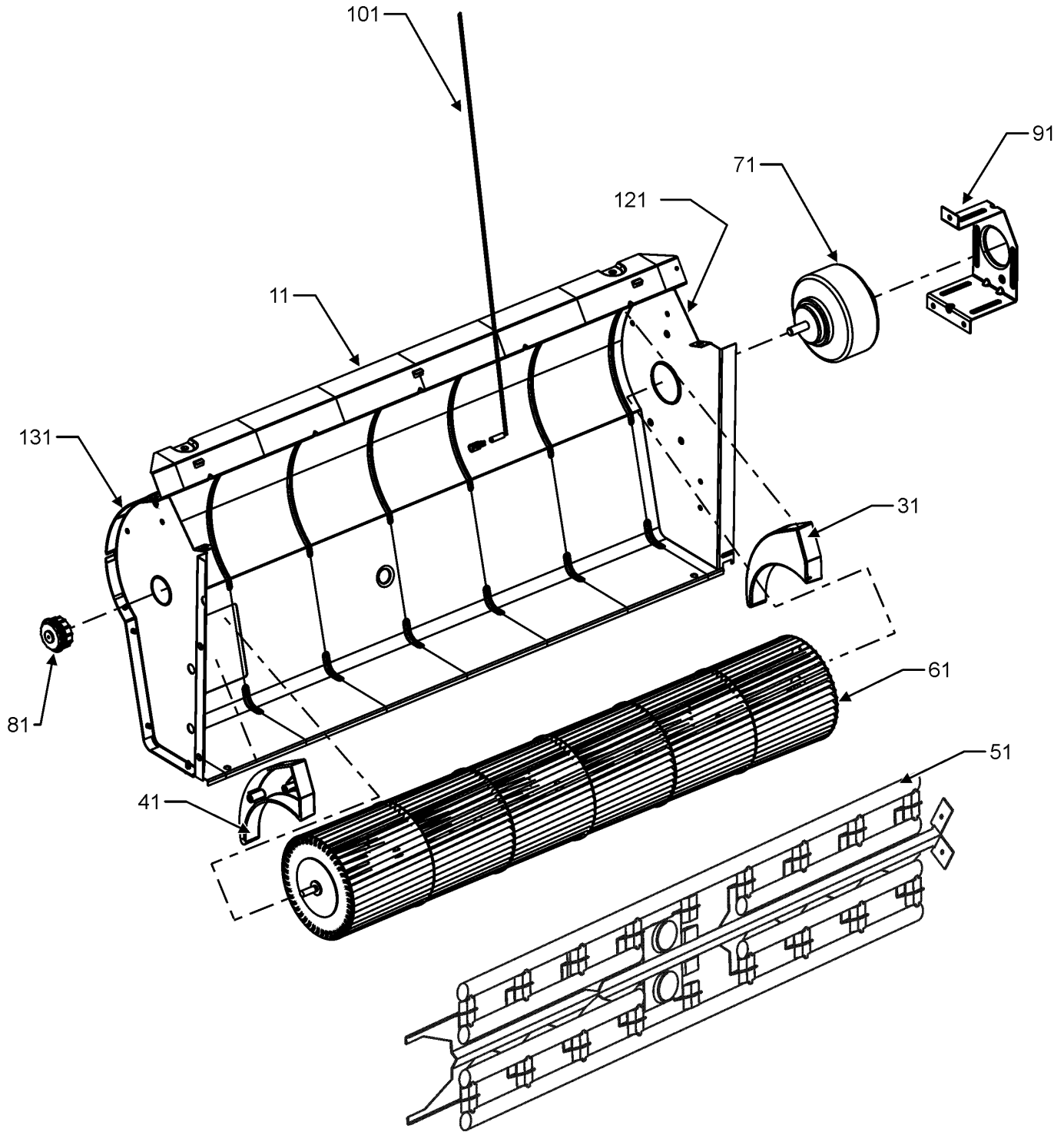
11	0121P00175DG	BASE PAN (M1, M3, M4)
11	0121P00175NG	BASE PAN (M2)
21	0161P00044	PLASTIC-DRAIN PAN
61	20403301	MID PARTITION PANEL
71	0121P00063NG	TOP, PARTITION PANEL
81	0121P00197	SEAL-L SIDE PTC
91	0121P00198	SEAL-R SIDE PTC
101	0121P00071NG	BRACE, TIE (QTY 2)
111	0121P00070DG	COVER, MOTOR
121	0121P00280	COVER-CONTROL PANEL
131	RSKP0015	MEMBRANE KIT
141	0161P00016	PLASTIC-HOOD
151	20410801	ACCESS COVER
161	0121P00061DG	CUTOFF-SCROLL DG
251	0130P00112	CORD,250VAC, 15A (LCD) (M1)
251	0130P00115	CORD,250VAC, 20A (LCD) (M2, M3)
251	0130P00118	CORD,250VAC, 30A (LCD) (M4)
NS	0130P00109	MEMBRANE (CONTROL)

## Expanded Model Nomenclature

M1 - PTH153G25AXXXDB
M2 - PTH153G35CXXXCA
M3 - PTH153G35VXXXCA
M4 - PTH153G50VXXXCA

# Indoor Blower Assembly

## INDOOR BLOWER ASSEMBLY



# Indoor Blower Assembly

Ref. Part No:	No:	Description:	Ref. Part No:	No:	Description:
---------------	-----	--------------	---------------	-----	--------------

---

**Image 1:**

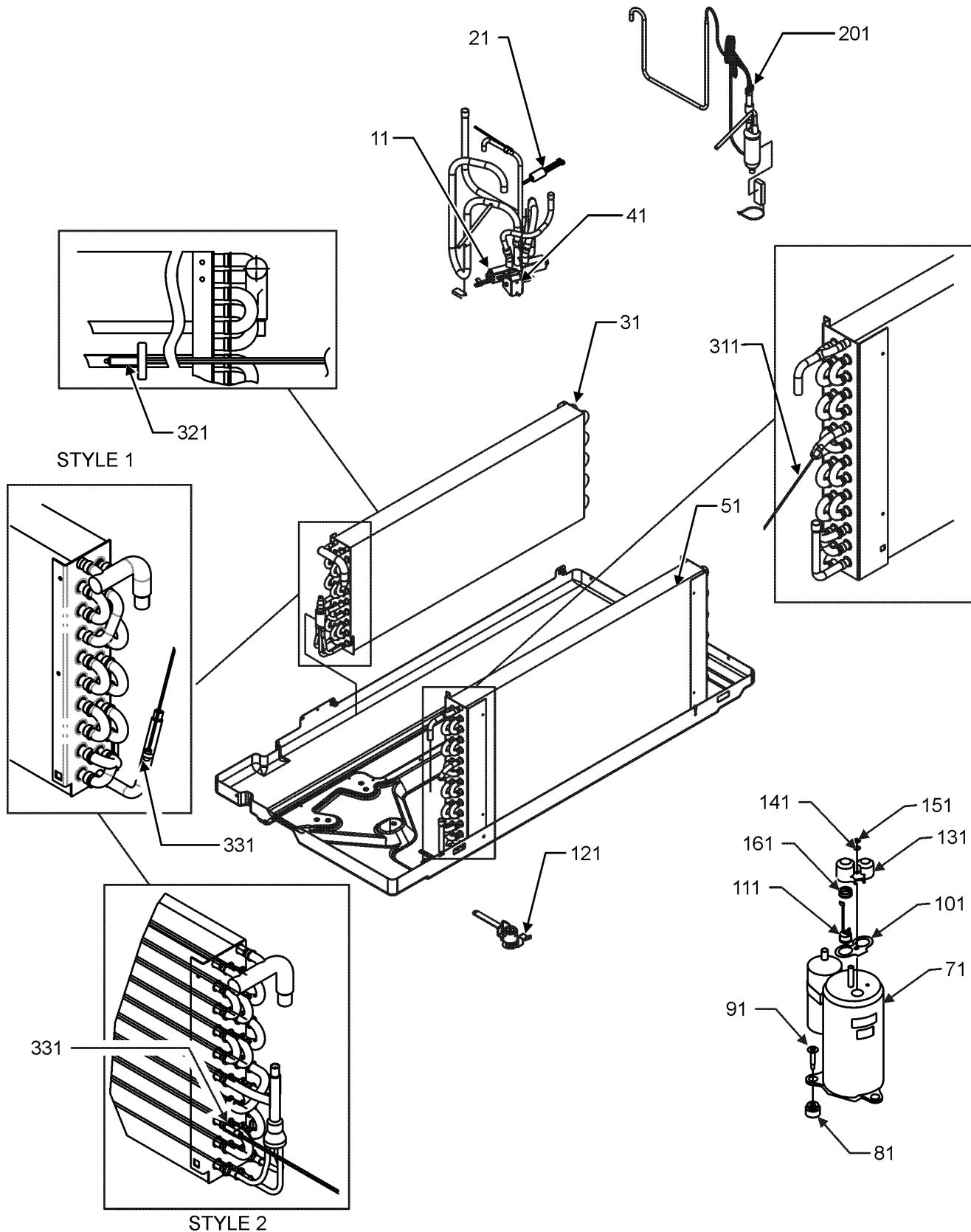
11	0121P00173DG	SCROLL
31	0161P00021	END CAP, RIGHT
41	0161P00022	END CAP, LEFT
51	0275P00019	HEATER ASSY (M1)
51	0275P00038	HEATER ASSY (M2, M3)
51	0275P00039	HEATER ASSY (M4)
61	0150P00005	WHEEL, BLOWER
71	0131P00055	FAN MOTOR, IN DOOR
81	0163P00027	BEARING
91	0121P00048	BRACKET-MOTOR MOUNT
101	0130P00134	THERMISTOR - DISCHARGE
121	0121P00059DG	ENDPLATE-RH SCROLL
131	0121P00215DG	ENDPLATE- LH SCROLL

**Expanded Model Nomenclature**

M1 - PTH153G25AXXXDB
M2 - PTH153G35CXXXCA
M3 - PTH153G35VXXXCA
M4 - PTH153G50VXXXCA

# Refrigerate Tubing Assembly

## REFRIGERATE TUBING ASSEMBLY



# Refrigerate Tubing Assembly

Ref. Part No: No:	Description:	Ref. Part No: No:	Description:
-------------------	--------------	-------------------	--------------

**Image 1:**

11	0151P00009	PTAC REVERSING VALVE ASSY
21	0130M00169	SWITCH, HIGH PRESS
31	0202P00065	EVAP ASSY, 5/16, 3 ROW
41	0130P00022	REVERSING VALVE COIL
51	0201P00105NG	7MM CONDENSER ASSEMBLY PAINTED (M2)
51	0201P00097	7MM CONDENSER COIL ASSY (M3, M4)
51	0201P00079	CONDENSER ASSY (M1)
71	50A362QM-9GKG	COMPRESSOR, RECHI
81	60140209	GROMMET - RECHI COMPRESSOR (QTY 3)
91	M0253610	SHOULDER SCREW (QTY 3)
101	60100103	TERMINAL GASKET
111	60343546	OVERLOAD PROTECTOR
121	20406303	BASE PAN VALVE
131	60100314	TERMINAL COVER - RECHI COMP
141	60100201	WASHER - RECHI COMPRESSOR
151	60100401	TERMINAL NUT - RECHI COMP
161	60500101	OLP SPRING - RECHI COMPRESSOR
201	0210P00152	CAPILLARY WELDMENT (M1)
201	0210P00278	CAPILLARY WELDMENT (M2, M3, M4)
311	0130P00130	THERMISTOR (M2, M3, M4)
311	0130P00093	THERMISTOR, .375 CLIP, BLUE (M1)
321	0130P00142	THERMISTOR
331	0130P00144	THERMISTOR
NS	BT1392310	PLASTIC CLAMP, .1875 DIA (M3, M4)

**Expanded Model Nomenclature**

- |                      |
|----------------------|
| M1 - PTH153G25AXXXDB |
| M2 - PTH153G35CXXXCA |
| M3 - PTH153G35VXXXCA |
| M4 - PTH153G50VXXXCA |