

## PTH123 - 124K Package Terminal Heat Pump

PTH123K00CHXXAA  
PTH123K15AXXXAA  
PTH123K25AXXXAA  
PTH123K25CXXXAA  
PTH123K25VXXXAA  
PTH123K35AXXXAA  
PTH123K35CXXXAA  
PTH123K35PXXXAA  
PTH123K35VXXXAA  
PTH123K50AXXXAA  
PTH123K50CXXXAA  
PTH123K50VXXXAA  
PTH124K15AXXXAA  
PTH124K25AXXXAA  
PTH124K35AXXXAA  
PTH124K35CXXXAA  
PTH124K35VXXXAA  
PTH124K50AXXXAA  
PTH124K50CXXXAA



Amana® is a registered trademark of Maytag Corporation or its related companies and is used under license. All rights reserved.

This manual is to be used by qualified technicians only.

# Important Information

---

## Index

Functional Parts List .....	3
Illustration and Parts .....	4 - 13

*Views shown are for parts illustrations only, not servicing procedures.*

### Text Codes:

AR - As Required

NA - Not Available

NS - Not Shown

00000000 - See Note

QTY - Quantity Example (QTY 3) (If Quantity not shown, Quantity = 1)

M - Model Example (M1) (If M Code not shown, then part is used on all Models)

### Expanded Model Nomenclature:

Example
M1 - Model#1
M2 - Model#2
M3 - Model#3

Goodman Company, L.P. is not responsible for personal injury or property damage resulting from improper service. Review all service information before beginning repairs.

Warranty service must be performed by an authorized technician, using authorized factory parts. If service is required after the warranty expires, Goodman Company, L.P. also recommends contacting an authorized technician and using authorized factory parts.

Goodman Company, L.P. reserves the right to discontinue, or change at any time, specifications or designs without notice or without incurring obligations.

For assistance within the U.S.A. contact:

Homeowner Support  
Goodman Company, L.P.  
19001 Kermier Road  
Waller, Texas 77484  
877-254-4729-Telephone  
713-863-2382-Facsimile

For assistance outside the U.S.A. contact:

International Division  
Goodman Company, L.P.  
19001 Kermier Road  
Waller, Texas 77484  
713-861-2500-Telephone  
713-863-2382-Facsimile

# Functional Parts

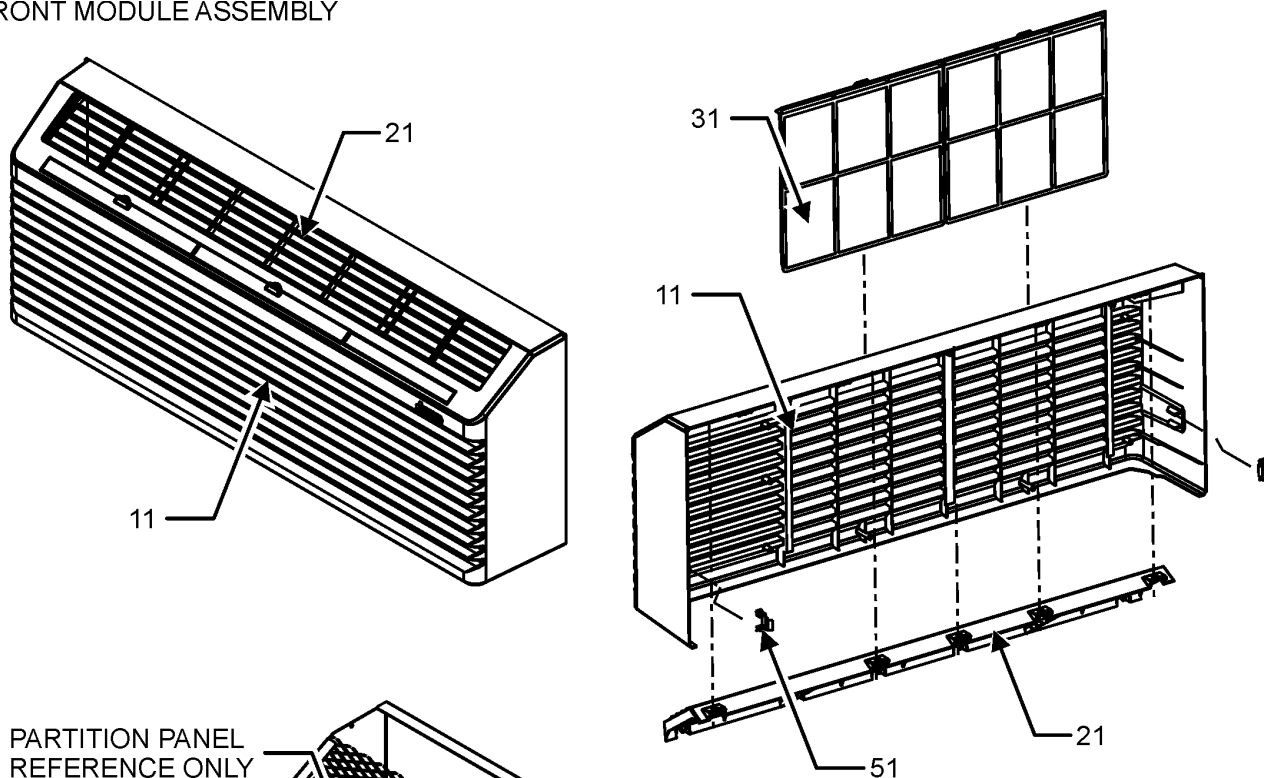
## Part

## No: Description:

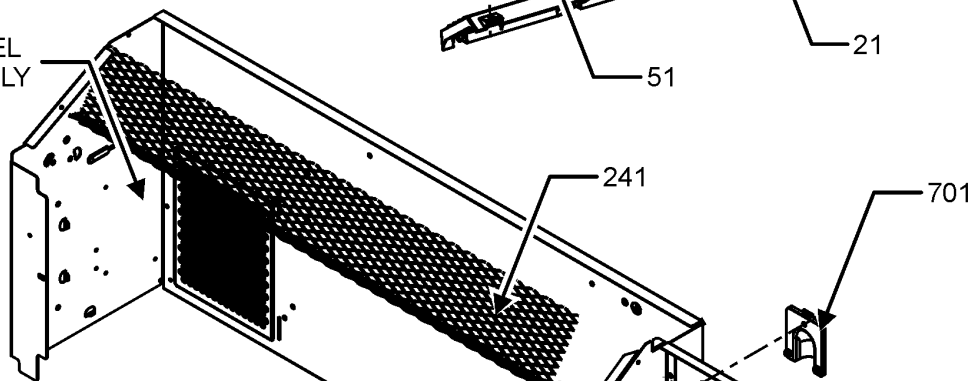
Part No:	Description:	Part No:	Description:
CAP020300450CS	CAP, 2/30 MFD/450V/DUAL RD (M13, M14, M15, M16, M17, M18, M19)	0130P00167	THERMISTOR INDOOR
CAP020000440RP	CAPACITOR (M2, M3, M4, M5, M6, M7, M8, M9, M10, M11, M12)	0130P00173	THERMISTOR OUTDOOR 7MM
CAP015000500RP	CAPACITOR (M18, M19)	0130M00726	Transformer 20VA 240/208V (M1, M2, M3, M4, M5, M6, M7, M8, M9, M10, M11, M12)
CAP010000500RP	CAPACITOR (M13, M14, M15, M16, M17)	0130M00728	TRANSFORMER 20VA 277V (M13, M14, M15, M16, M17, M18, M19)
CAP030300450CS	CAPACITOR, 500V (M1, M2, M3, M4, M5, M6, M7, M8, M9, M10, M11, M12)	0130M00727	Transformer 40VA 240/208V (M1, M5, M9, M12)
44A287AK&JEKD	COMPRESSOR, RECHI (M13, M14, M15, M16, M17, M18, M19)	0130M00729	TRANSFORMER 40VA 277V (M17)
44A272AL&FEKC	COMPRESSOR, RECHI (M1, M2, M3, M4, M5, M6, M7, M8, M9, M10, M11, M12)	0151M00026	VALVE, CHECK
0130P00177	CORD, 250 VAC, 20A (LCDI (M6, M7, M8, M9)	20406303	VALVE-BASEPAN
0130P00184	CORD, 250VAC, 15A, (LCDI (M1, M2, M3, M4, M5)	<b>Expanded Model Nomenclature</b>	
0130P00178	CORD, 277V, 20A (M13, M14, M15, M16, M17)	M1 - PTH123K00CHXXAA	
0130P00186	CORD, 277V, 30A (M18, M19)	M2 - PTH123K15AXXXAA	
0130P00185	CORD,250VAC,30A (LCDI) (M10, M11, M12)	M3 - PTH123K25AXXXAA	
0161P00140	COVER WIRE	M4 - PTH123K25CXXXAA	
0161P00055	FAN CONDENSER	M5 - PTH123K25VXXXAA	
3P263839-1	FERRITE CORE	M6 - PTH123K35AXXXAA	
A3410402	FUSE-15A - BLUE (M13, M14)	M7 - PTH123K35CXXXAA	
A3410403	FUSE-20A - ORANGE (M15, M16, M17)	M8 - PTH123K35PXXXAA	
0275P00087	Heater 230 v-3.5 KW (M6, M7, M8, M9)	M9 - PTH123K35VXXXAA	
0275P00089	Heater 230 v-5 KW (M10, M11, M12)	M10 - PTH123K50AXXXAA	
0275P00088	Heater 265 v-3.5 KW (M15, M16, M17)	M11 - PTH123K50CXXXAA	
0275P00090	Heater 265 v-5 KW (M18, M19)	M12 - PTH123K50VXXXAA	
0275P00023	HEATER ASSY (M14)	M13 - PTH124K15AXXXAA	
0275P00026	HEATER ASSY (M13)	M14 - PTH124K25AXXXAA	
0275P00022	HEATER ASSY (M2)	M15 - PTH124K35AXXXAA	
0275P00019	HEATER ASSY (M3, M4, M5)	M16 - PTH124K35CXXXAA	
0130P00187	HUMIDITY SENSOR (M5, M9, M12, M17)	M17 - PTH124K35VXXXAA	
0131P00062	INDOOR MOTOR DC (M1)	M18 - PTH124K50AXXXAA	
0131P00060	INDOOR MOTOR-PSC (M2, M3, M4, M5, M6, M7, M8, M9)	M19 - PTH124K50CXXXAA	
0131P00071	INDOOR MOTOR-PSC (M18, M19)		
0131P00070	INDOOR MOTOR-PSC (M13, M14, M15, M16, M17)		
0131P00061	INDOOR MOTOR-PSC (M10, M11, M12)		
PCBCP160	M90 Board Tier 1 (M2, M3, M4, M5, M6, M7, M9, M10, M11, M12, M13, M14, M15, M16, M17, M18, M19)		
PCBCP170	M90 Board Tier 2 (M1, M8)		
0130P00137	MOTOR (M5, M9, M12, M17)		
0131P00085	OUTDOOR MOTOR, DC (M8)		
0131P00067	OUTDOOR MOTOR-PSC (M13, M14, M15, M16, M17, M18, M19)		
0131P00066	OUTDOOR MOTOR-PSC (M1, M2, M3, M4, M5, M6, M7, M9, M10, M11, M12)		
60349601A	OVERLOAD PROTECTOR-ORANGE DOT (M1, M2, M3, M4, M5, M6, M7, M8, M9, M10, M11, M12)		
60349604A	OVERLOAD PROTECTOR-RED DOT (M13, M14, M15, M16, M17, M18, M19)		
0151P00024	PTAC REVERSING VLV ASSY (M13, M14, M15, M16, M17, M18, M19)		
0151P00023	PTAC REVERSING VLV ASSY (M1, M2, M3, M4, M5, M6, M7, M8, M9, M10, M11, M12)		
0130M00735	SWITCH HIGH PRESSURE		
0130P00167	THERMISTOR INDOOR		

# FRONT MODULE AND CONTROL PANEL ASSEMBLY

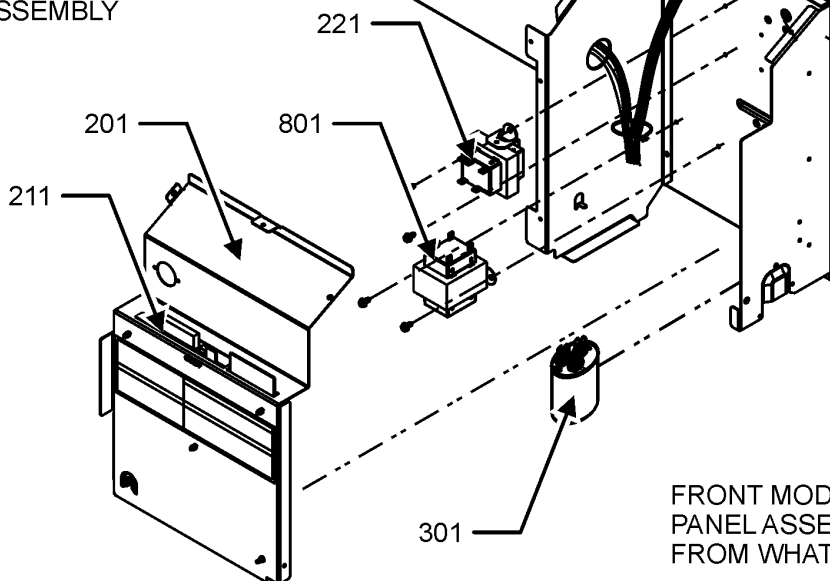
## FRONT MODULE ASSEMBLY



PARTITION PANEL  
REFERENCE ONLY



## CONTROL PANEL ASSEMBLY



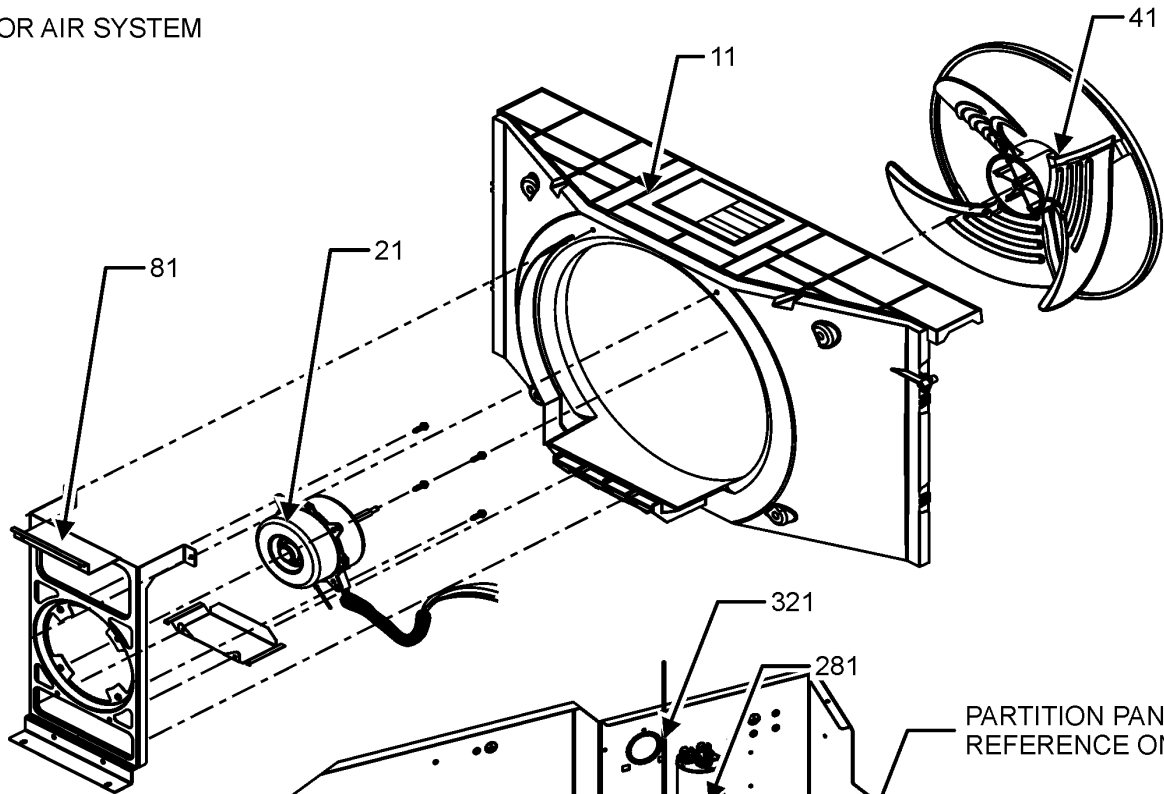
FRONT MODULE AND CONTROL  
PANEL ASSEMBLY MAY DIFFER  
FROM WHAT IS SHOWN

# FRONT MODULE AND CONTROL PANEL ASSEMBLY

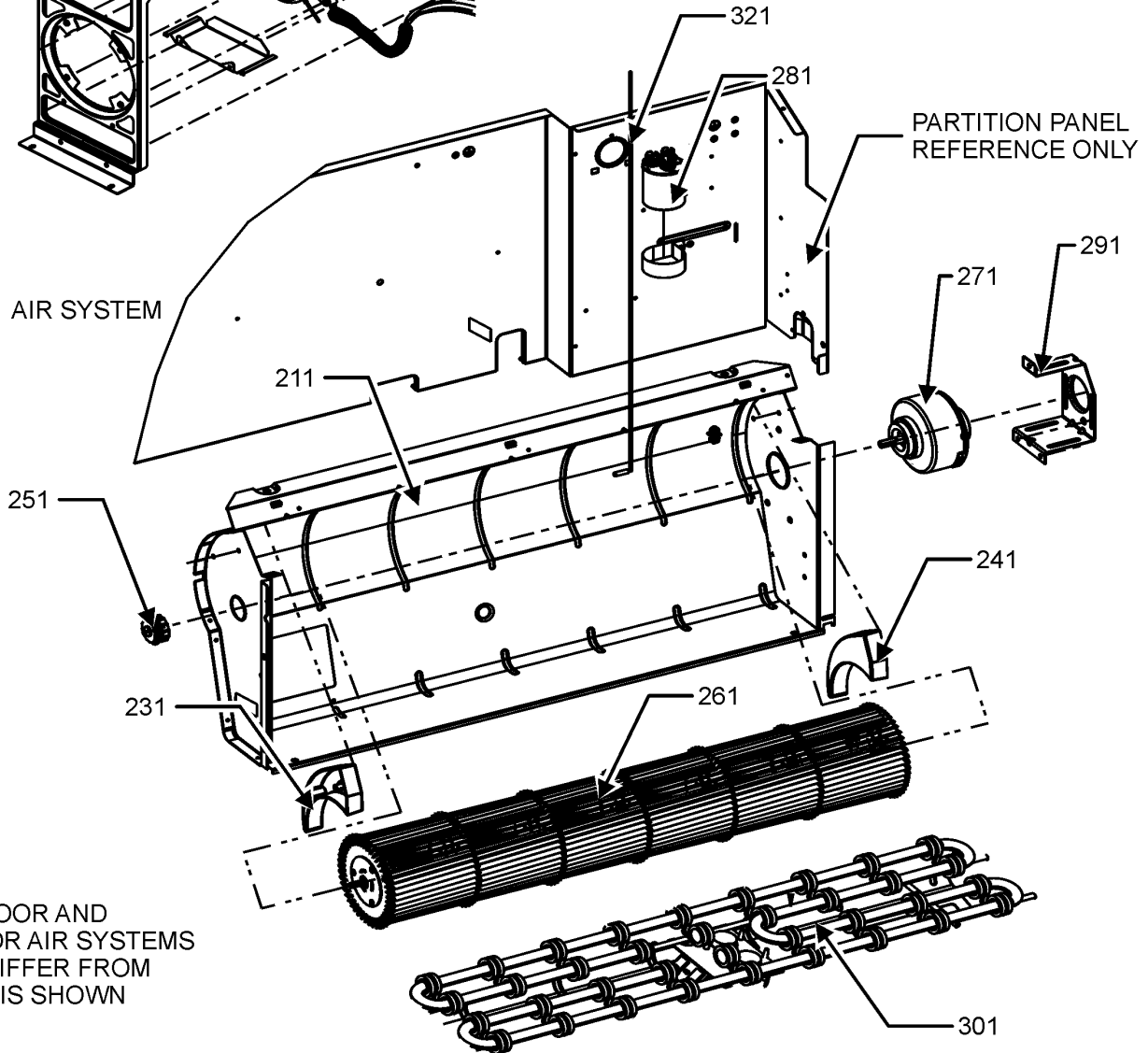
Ref. Part No:	Part No:	Description:	Ref. Part No:	Part No:	Description:
<b>Image 1:</b>			<b>Expanded Model Nomenclature</b>		
11	0261P00033	FRONT ASSY	M1	-	PTH123K00CHXXAA
21	0161P00132	LOUVERED FRONT DISCHARGE	M2	-	PTH123K15AXXXAA
31	0161P00148	FILTER RACK (QTY 2)	M3	-	PTH123K25AXXXAA
51	0163P00025	CLIP (QTY 2)	M4	-	PTH123K25CXXXAA
201	0121P00431	CONTROL BOX PANEL	M5	-	PTH123K25VXXXAA
211	PCBCP160	M90 Board Tier 1 (M2, M3, M4, M5, M6, M7, M9, M10, M11, M12, M13, M14, M15, M16, M17, M18, M19)	M6	-	PTH123K35AXXXAA
211	PCBCP170	M90 Board Tier 2 (M1, M8)	M7	-	PTH123K35CXXXAA
221	0130M00726	Transformer 20VA 240/208V (M1, M2, M3, M4, M5, M6, M7, M8, M9, M10, M11, M12)	M8	-	PTH123K35PXXXAA
221	0130M00728	TRANSFORMER 20VA 277V (M13, M14, M15, M16, M17, M18, M19)	M9	-	PTH123K35VXXXAA
241	0121P00194BL	SCREEN DISCHARGE PAINTED (M2, M3, M4, M5, M6, M7, M8, M9, M10, M11, M12, M13, M14, M15, M16, M17, M18, M19)	M10	-	PTH123K50AXXXAA
301	CAP020300450CS	CAP, 2/30 MFD/450V/DUAL RD (M13, M14, M15, M16, M17, M18, M19)	M11	-	PTH123K50CXXXAA
301	CAP030300450CS	CAPACITOR, 500V (M1, M2, M3, M4, M5, M6, M7, M8, M9, M10, M11, M12)	M12	-	PTH123K50VXXXAA
701	0161P00140	COVER WIRE	M13	-	PTH124K15AXXXAA
721	3P263839-1	FERRITE CORE	M14	-	PTH124K25AXXXAA
801	0130M00727	Transformer 40VA 240/208V (M1, M5, M9, M12)	M15	-	PTH124K35AXXXAA
801	0130M00729	TRANSFORMER 40VA 277V (M17)	M16	-	PTH124K35CXXXAA
NS	A3410402	FUSE-15A - BLUE (M13, M14)	M17	-	PTH124K35VXXXAA
NS	A3410403	FUSE-20A - ORANGE (M15, M16, M17)	M18	-	PTH124K50AXXXAA
NS	A3410404	FUSE-25A - GREEN (M18, M19)	M19	-	PTH124K50CXXXAA
NS	C6476001	HOLDER-BAYONET FUSE - BLUE (M13, M14)			
NS	C6476003	HOLDER-BAYONET FUSE - GREEN (M18, M19)			
NS	C6476002	HOLDER-BAYONET FUSE - ORANGE (M15, M16, M17)			
NS	0259P00043	WIRE HARNESS KIT			

# OUTDOOR AND INDOOR AIR SYSTEM

## OUTDOOR AIR SYSTEM



## INDOOR AIR SYSTEM



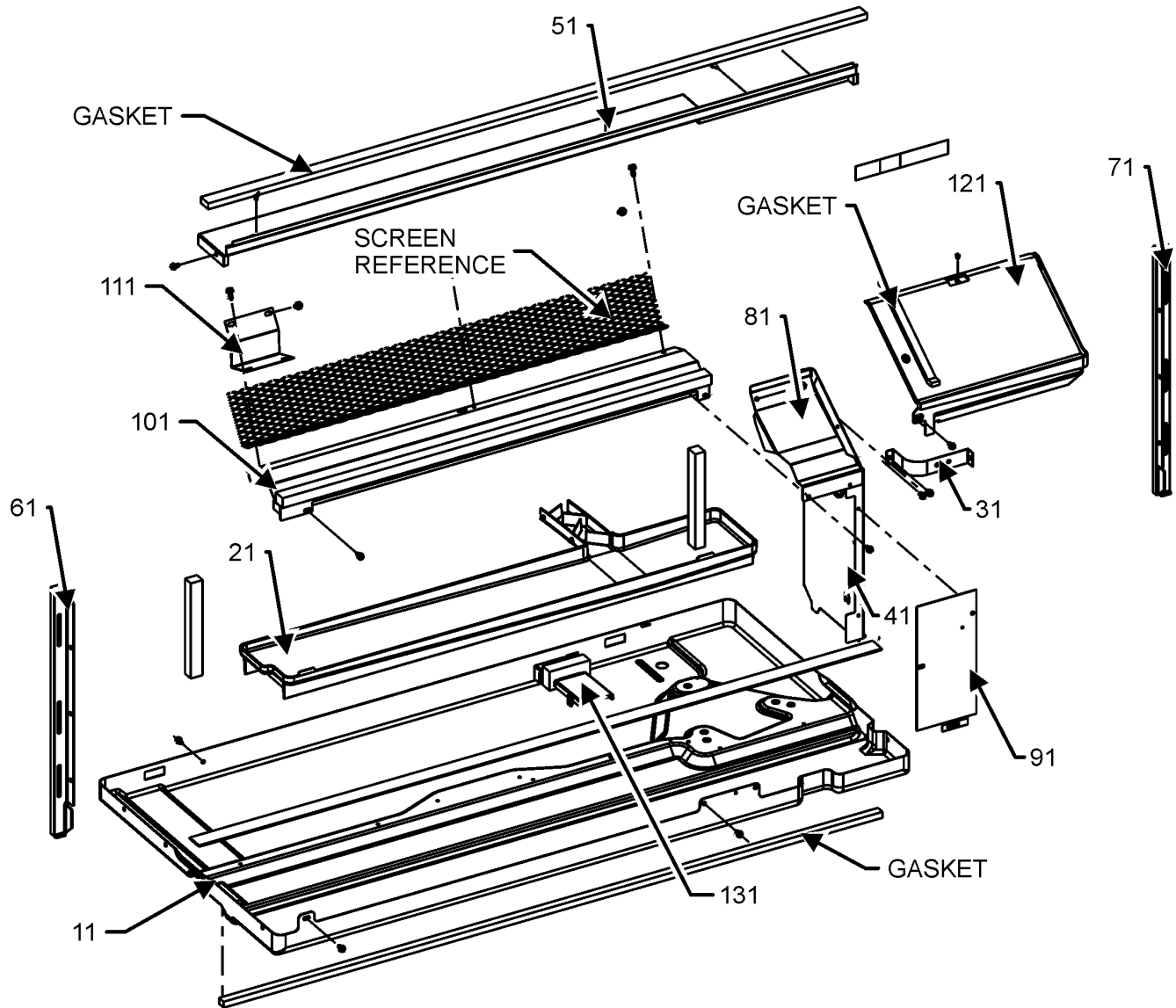
OUTDOOR AND  
INDOOR AIR SYSTEMS  
MAY DIFFER FROM  
WHAT IS SHOWN

# OUTDOOR AND INDOOR AIR SYSTEM

Ref. Part No: No:	Description:	Ref. Part No: No:	Description:
<b>Image 1:</b>		<b>Expanded Model Nomenclature</b>	
11	0261P00034 ASY CONDENSER SHROUD	M1	- PTH123K00CHXXAA
21	0131P00085 OUTDOOR MOTOR, DC (M8)	M2	- PTH123K15AXXXAA
21	0131P00066 OUTDOOR MOTOR-PSC (M1, M2, M3, M4, M5, M6, M7, M9, M10, M11, M12)	M3	- PTH123K25AXXXAA
21	0131P00067 OUTDOOR MOTOR-PSC (M13, M14, M15, M16, M17, M18, M19)	M4	- PTH123K25CXXXAA
41	0161P00055 FAN CONDENSER	M5	- PTH123K25VXXXAA
81	0121P00350NG MOTOR BRACKET, SHROUD	M6	- PTH123K35AXXXAA
211	0270P01642 SCROLL ASSY	M7	- PTH123K35CXXXAA
231	0161P00153 PTAC END CAP LEFT	M8	- PTH123K35PXXXAA
241	0161P00152 END CAP RIGHT	M9	- PTH123K35VXXXAA
251	0163P00027 BEARING	M10	- PTH123K50AXXXAA
261	0150P00005 WHEEL BLOWER	M11	- PTH123K50CXXXAA
271	0131P00062 INDOOR MOTOR DC (M1)	M12	- PTH123K50VXXXAA
271	0131P00060 INDOOR MOTOR-PSC (M2, M3, M4, M5, M6, M7, M8, M9)	M13	- PTH124K15AXXXAA
271	0131P00061 INDOOR MOTOR-PSC (M10, M11, M12)	M14	- PTH124K25AXXXAA
271	0131P00070 INDOOR MOTOR-PSC (M13, M14, M15, M16, M17)	M15	- PTH124K35AXXXAA
271	0131P00071 INDOOR MOTOR-PSC (M18, M19)	M16	- PTH124K35CXXXAA
281	CAP010000500RP CAPACITOR (M13, M14, M15, M16, M17)	M17	- PTH124K35VXXXAA
281	CAP015000500RP CAPACITOR (M18, M19)	M18	- PTH124K50AXXXAA
281	CAP020000440RP CAPACITOR (M2, M3, M4, M5, M6, M7, M8, M9, M10, M11, M12)	M19	- PTH124K50CXXXAA
291	0121P00048 BRACKET MOTOR MOUNT		
301	0275P00087 Heater 230 v -3.5 KW (M6, M7, M8, M9)		
301	0275P00089 Heater 230 v -5 KW (M10, M11, M12)		
301	0275P00088 Heater 265 v -3.5 KW (M15, M16, M17)		
301	0275P00090 Heater 265 v -5 KW (M18, M19)		
301	0275P00019 HEATER ASSY (M3, M4, M5)		
301	0275P00022 HEATER ASSY (M2)		
301	0275P00023 HEATER ASSY (M14)		
301	0275P00026 HEATER ASSY (M13)		
321	0130P00167 THERMISTOR INDOOR		
NS	0163P00029 CAPACITOR CLAMP (M2, M3, M4, M5, M6, M7, M8, M9, M10, M11, M12, M13, M14, M15, M16, M17, M18, M19)		
NS	0130P00177 CORD, 250 VAC, 20A (LCDI) (M6, M7, M8, M9)		
NS	0130P00184 CORD, 250VAC, 15A, (LCDI) (M1, M2, M3, M4, M5)		
NS	0130P00178 CORD, 277V, 20A (M13, M14, M15, M16, M17)		
NS	0130P00186 CORD, 277V, 30A (M18, M19)		
NS	0130P00185 CORD,250VAC,30A (LCDI) (M10, M11, M12)		
NS	0163P00052 THERMISTOR CLAMP		

# BASE PAN ASSEMBLY

## BASE PAN ASSEMBLY



BASE PAN ASSEMBLY MAY DIFFER FROM WHAT IS SHOWN

# BASE PAN ASSEMBLY

Ref. Part No:	Ref. Part No:	Description:	Description:
---------------	---------------	--------------	--------------

**Image 1:**

11	0121P00284DG	BASE PAN PAINTED (M2, M3, M5, M6, M8, M9, M10, M12, M13, M14, M15, M17, M18)
11	0121P00284NG	BASE PAN PAINTED (M1, M4, M7, M11, M16, M19)
21	0161P00154	PLASTIC- DRAIN PAN
31	C6300502	STAP CAP CO PTC
41	0121P00432	PANEL MID PRT
51	0121P00376NG	PANEL, TOP PARTITION, PAINTED
61	0121P00379	SEAL L SIDE PTC
71	0121P00380	SEAL R SIDE PTC
81	0121P00371DG	PAINTED COVER MOTOR
91	0121P00374	COVER ACCESS
101	0121P00377DG	CUTOFF SCROLL DG
111	0121P00233	LEFT SIDE SCRILL BLOCKOFF
121	0161P00142	SPLASH GUARD
131	0161P00147	COVER DRAIN PAN

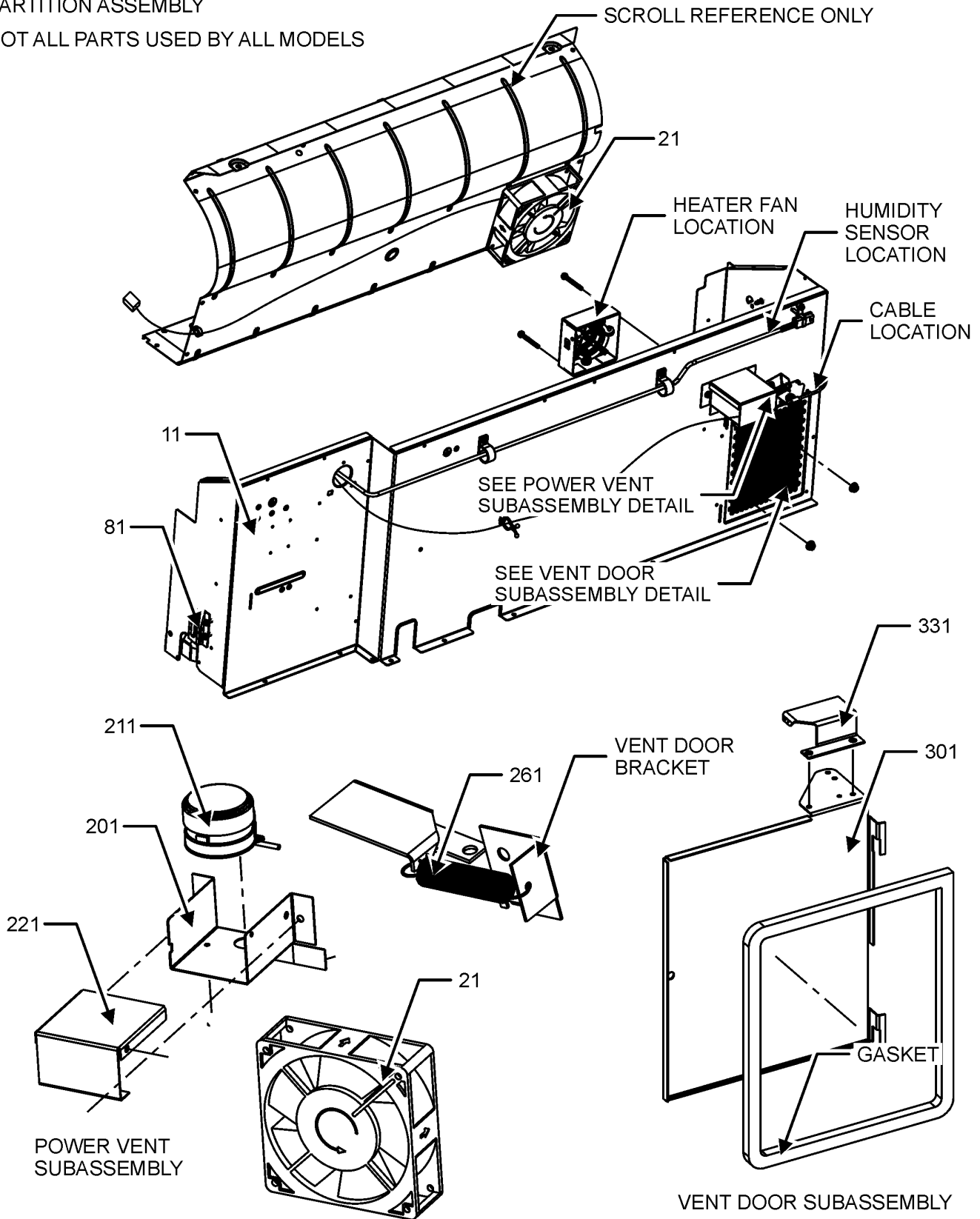
**Expanded Model Nomenclature**

M1 - PTH123K00CHXXAA
M2 - PTH123K15AXXXAA
M3 - PTH123K25AXXXAA
M4 - PTH123K25CXXXAA
M5 - PTH123K25VXXXAA
M6 - PTH123K35AXXXAA
M7 - PTH123K35CXXXAA
M8 - PTH123K35PXXXAA
M9 - PTH123K35VXXXAA
M10 - PTH123K50AXXXAA
M11 - PTH123K50CXXXAA
M12 - PTH123K50VXXXAA
M13 - PTH124K15AXXXAA
M14 - PTH124K25AXXXAA
M15 - PTH124K35AXXXAA
M16 - PTH124K35CXXXAA
M17 - PTH124K35VXXXAA
M18 - PTH124K50AXXXAA
M19 - PTH124K50CXXXAA

# PARTITION ASSEMBLY

PARTITION ASSEMBLY

NOT ALL PARTS USED BY ALL MODELS



PARTITION ASSEMBLY MAY DIFFER FROM WHAT IS SHOWN

# PARTITION ASSEMBLY

Ref. Part No:	Ref. Part No:	Description:	Description:
---------------	---------------	--------------	--------------

**Image 1:**

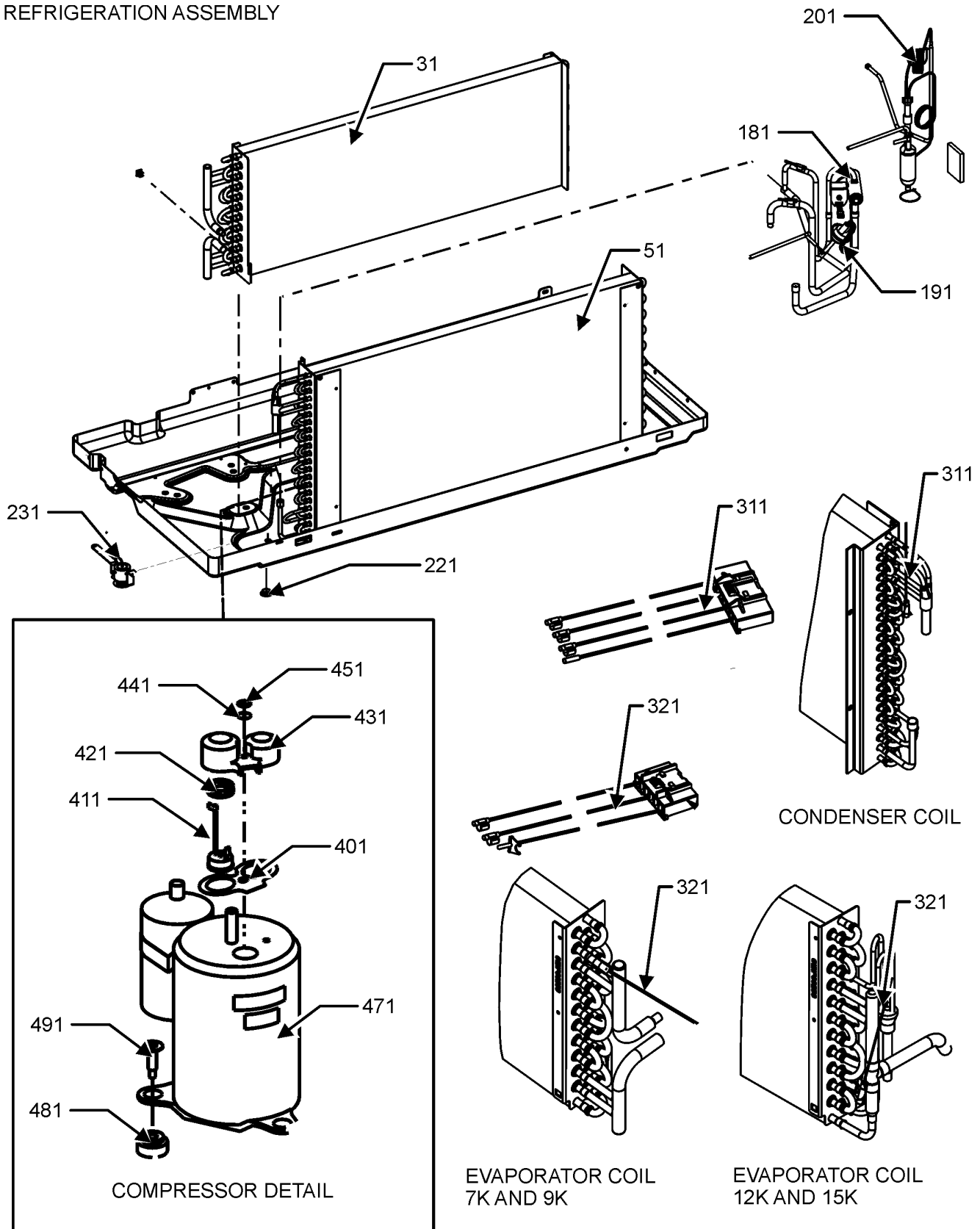
11	0121P00360NG	PANEL PARTITION
21	0131P00081	FAN MUFFIN (M5, M9, M12, M17)
81	11191703	BRKT-PART PAN (M2, M3, M4, M5, M6, M7, M8, M9, M10, M11, M12, M13, M14, M15, M16, M17, M18, M19)
201	11166101	BRKT-MOTOR PTC (M5, M9, M12, M17)
211	0130P00137	MOTOR (M5, M9, M12, M17)
221	11166201	BRKT-COVER PTC (M5, M9, M12, M17)
261	11166401	SPRING-EXTENSION (M5, M9, M12, M17)
301	0121P00177NG	DOOR PNT VENT PTC
331	0121P00180	BRKT POWER VENT (M5, M9, M12, M17)
NS	0121P00079	BRACKET, VENT DOOR (M5, M9, M12, M17)
NS	0121P00072NG	BRACKET, VENT DOOR-C (M1, M2, M3, M4, M6, M7, M8, M10, M11, M13, M14, M15, M16, M18, M19)
NS	0163P00019	CABLE (M1, M2, M3, M4, M6, M7, M8, M10, M11, M13, M14, M15, M16, M18, M19)
NS	0130P00187	HUMIDITY SENSOR (M5, M9, M12, M17)
NS	11046302	LEVER ARM PTC (M1, M2, M3, M4, M6, M7, M8, M10, M11, M13, M14, M15, M16, M18, M19)
NS	0259P00039	WIRE HARNESS (M5, M9, M12, M17)

**Expanded Model Nomenclature**

- |                       |
|-----------------------|
| M1 - PTH123K00CHXXAA  |
| M2 - PTH123K15AXXXAA  |
| M3 - PTH123K25AXXXAA  |
| M4 - PTH123K25CXXXAA  |
| M5 - PTH123K25VXXXAA  |
| M6 - PTH123K35AXXXAA  |
| M7 - PTH123K35CXXXAA  |
| M8 - PTH123K35PXXXAA  |
| M9 - PTH123K35VXXXAA  |
| M10 - PTH123K50AXXXAA |
| M11 - PTH123K50CXXXAA |
| M12 - PTH123K50VXXXAA |
| M13 - PTH124K15AXXXAA |
| M14 - PTH124K25AXXXAA |
| M15 - PTH124K35AXXXAA |
| M16 - PTH124K35CXXXAA |
| M17 - PTH124K35VXXXAA |
| M18 - PTH124K50AXXXAA |
| M19 - PTH124K50CXXXAA |

# REFRIGERATION ASSEMBLY

## REFRIGERATION ASSEMBLY



REFRIGERATION ASSEMBLY MAY DIFFER FROM WHAT IS SHOWN

# REFRIGERATION ASSEMBLY

Ref. Part No:	Ref. Part No:	Description:	Description:
<b>Image 1:</b>		<b>Expanded Model Nomenclature</b>	
31	0202P00113	7MM EVAP ASSY 3 ROW	M1 - PTH123K00CHXXAA
51	0201P00171MB	7mm CONDENSOR COIL ASSY (M1, M4, M7, M11, M16, M19)	M2 - PTH123K15A XXXAA
51	0201P00156	ASSY., 7MM CONDENSER COIL (M2, M3, M5, M6, M8, M9, M10, M12, M13, M14, M15, M17, M18)	M3 - PTH123K25A XXXAA
181	0151P00023	PTAC REVERSING VLV ASSY (M1, M2, M3, M4, M5, M6, M7, M8, M9, M10, M11, M12)	M4 - PTH123K25C XXXAA
181	0151P00024	PTAC REVERSING VLV ASSY (M13, M14, M15, M16, M17, M18, M19)	M5 - PTH123K25V XXXAA
191	0130M00735	SWITCH HIGH PRESSURE	M6 - PTH123K35A XXXAA
201	0210P00705	ASSY., CAPILLARY WELDMENT (M1, M2, M3, M4, M5, M6, M7, M8, M9, M10, M11, M12)	M7 - PTH123K35C XXXAA
201	0210P00713	ASSY., CAPILLARY WELDMENT (M13, M14, M15, M16, M17, M18, M19)	M8 - PTH123K35P XXXAA
221	M0570805	PLUG BUTTON (M8)	M9 - PTH123K35V XXXAA
231	20406303	VALVE-BASEPAN	M10 - PTH123K50A XXXAA
311	0130P00173	THERMISTOR OUTDOOR 7MM	M11 - PTH123K50C XXXAA
321	0130P00167	THERMISTOR INDOOR	M12 - PTH123K50V XXXAA
401	60100103	TERMINAL GASKET	M13 - PTH124K15A XXXAA
411	60349601A	OVERLOAD PROTECTOR-ORANGE DOT (M1, M2, M3, M4, M5, M6, M7, M8, M9, M10, M11, M12)	M14 - PTH124K25A XXXAA
411	60349604A	OVERLOAD PROTECTOR-RED DOT (M13, M14, M15, M16, M17, M18, M19)	M15 - PTH124K35A XXXAA
421	60500101	OLP SPRING - RECHI COMPRESSOR	M16 - PTH124K35C XXXAA
431	60100314	TERMINAL COVER - RECHI COMP	M17 - PTH124K35V XXXAA
441	60100201	WASHER - RECHI COMPRESSOR	M18 - PTH124K50A XXXAA
451	60100401	TERMINAL NUT - RECHI COMP	M19 - PTH124K50C XXXAA
471	44A272AL&FEKC	COMPRESSOR, RECHI (M1, M2, M3, M4, M5, M6, M7, M8, M9, M10, M11, M12)	
471	44A287AK&JEKD	COMPRESSOR, RECHI (M13, M14, M15, M16, M17, M18, M19)	
481	60130203	GROMMET - RECHI COMPRESSOR (QTY 3)	
491	0163M00079	SCREW SHOULDER (QTY 3)	
NS	0130P00022	REVERSING VALVE COIL	
NS	0151M00026	VALVE, CHECK	
NS	0259P00036	WIRE HARNESS	